



US00D742950S

(12) **United States Design Patent**  
**Supiot**

(10) **Patent No.:** **US D742,950 S**

(45) **Date of Patent:** **\*\* Nov. 10, 2015**

(54) **TRIPOD MAGNIFIER**

(71) Applicant: **Renaud Supiot**, Nimes (FR)

(72) Inventor: **Renaud Supiot**, Nimes (FR)

(\*\*) Term: **14 Years**

(21) Appl. No.: **29/512,773**

(22) Filed: **Dec. 22, 2014**

(51) **LOC (10) Cl.** ..... **16-06**

(52) **U.S. Cl.**  
USPC ..... **D16/135; D16/244**

(58) **Field of Classification Search**

USPC ..... D16/135, 130, 134, 136, 244, 242;  
D6/329, 641, 406.5, 696.5, 696.3,  
D6/656.13, 349; D21/364; D7/552.2,  
D7/558-559; 359/802, 807, 809, 805,  
359/810-812, 801; 248/283.1, 292.11,  
248/163.1

CPC ..... G02B 25/00; G02B 25/002; G02B 25/02  
See application file for complete search history.

(56) **References Cited**

U.S. PATENT DOCUMENTS

D196,270 S \* 9/1963 Mehir ..... D16/135

D246,047 S \* 10/1977 Zalman ..... D16/135

D303,977 S \* 10/1989 Steel ..... D16/135

D440,415 S \* 4/2001 Bellini ..... D6/349

6,574,051 B1 \* 6/2003 Powell ..... G02B 25/002  
359/802

D614,219 S \* 4/2010 Yip ..... D16/135

\* cited by examiner

*Primary Examiner* — Wan Laymon

(74) *Attorney, Agent, or Firm* — Cascio & Zervas

(57) **CLAIM**

The ornamental design for a tripod magnifier, as shown and described.

**DESCRIPTION**

FIG. 1 is a front elevational view of the tripod magnifier showing my design;

FIG. 2 is a rear elevational view thereof;

FIG. 3 is a left side elevational view thereof;

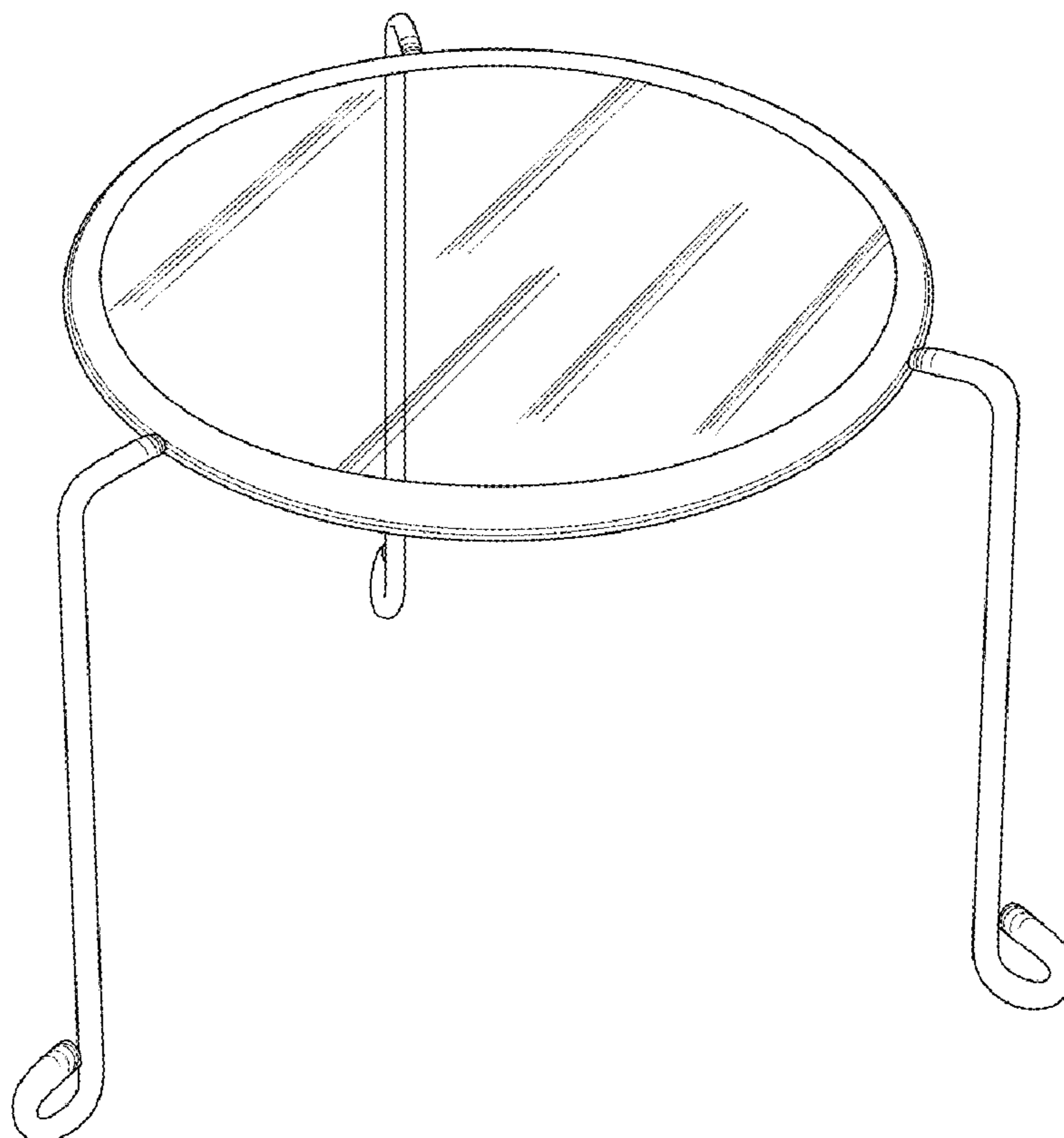
FIG. 4 is a right side elevational view thereof;

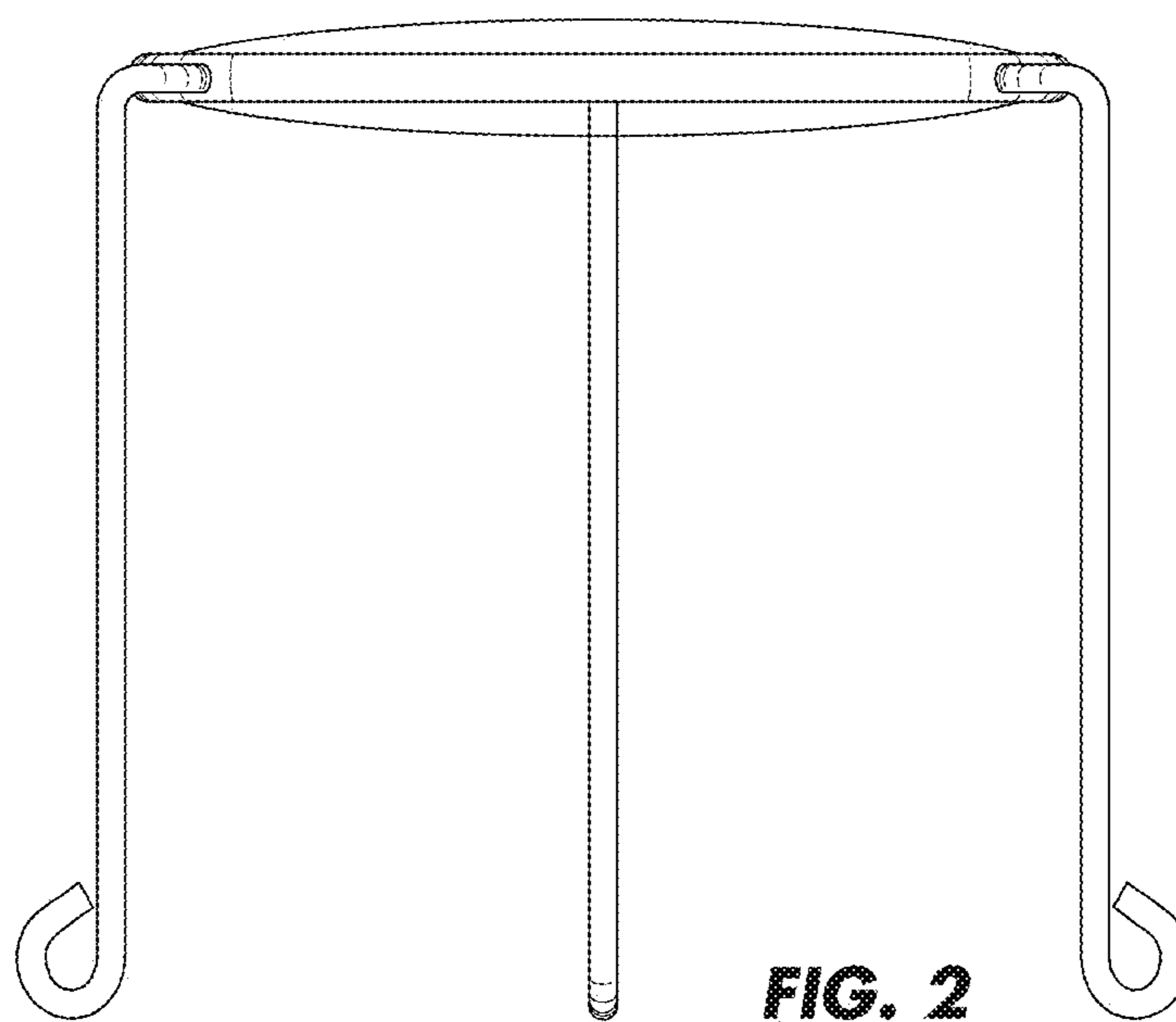
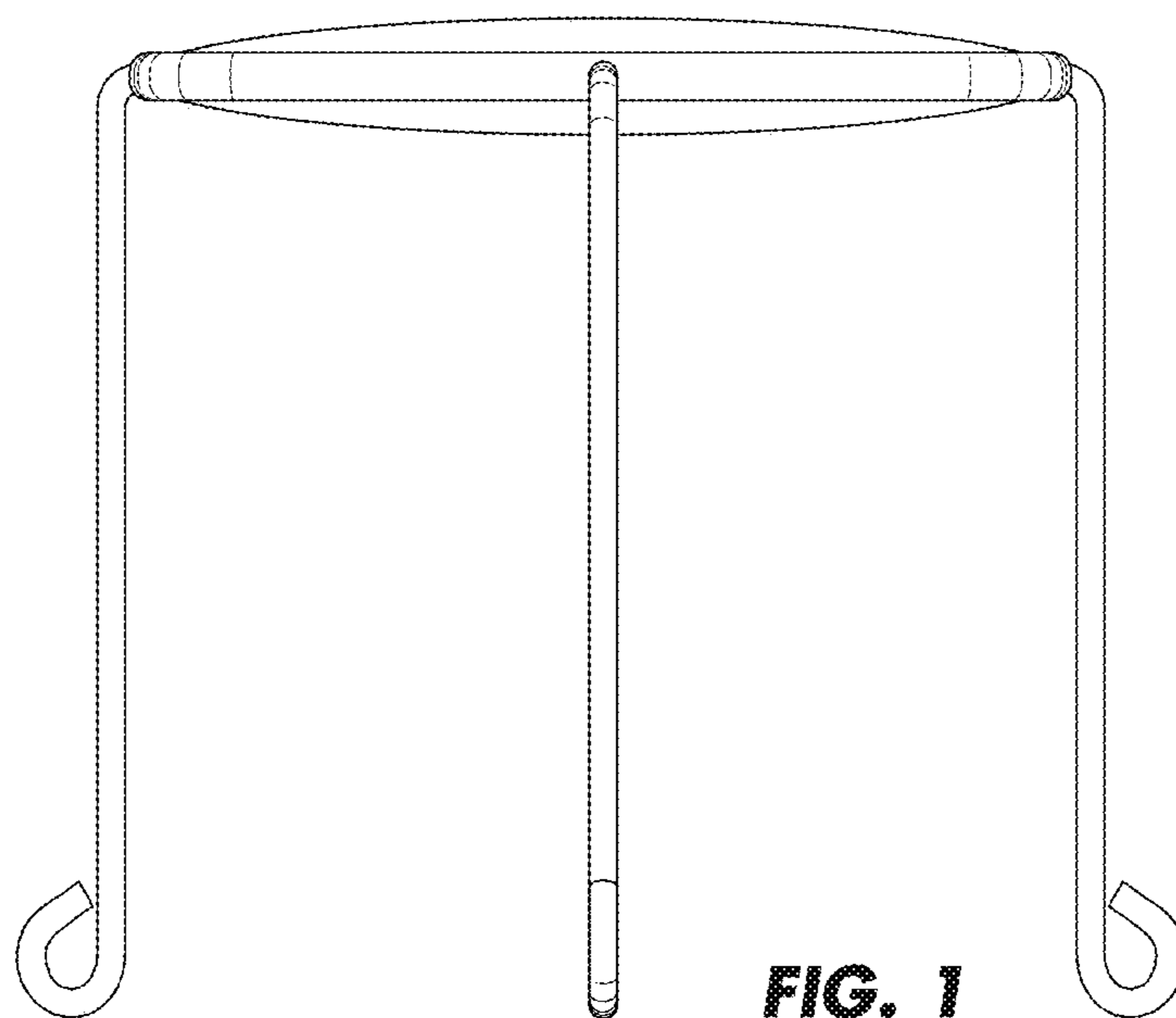
FIG. 5 is a top plan view thereof;

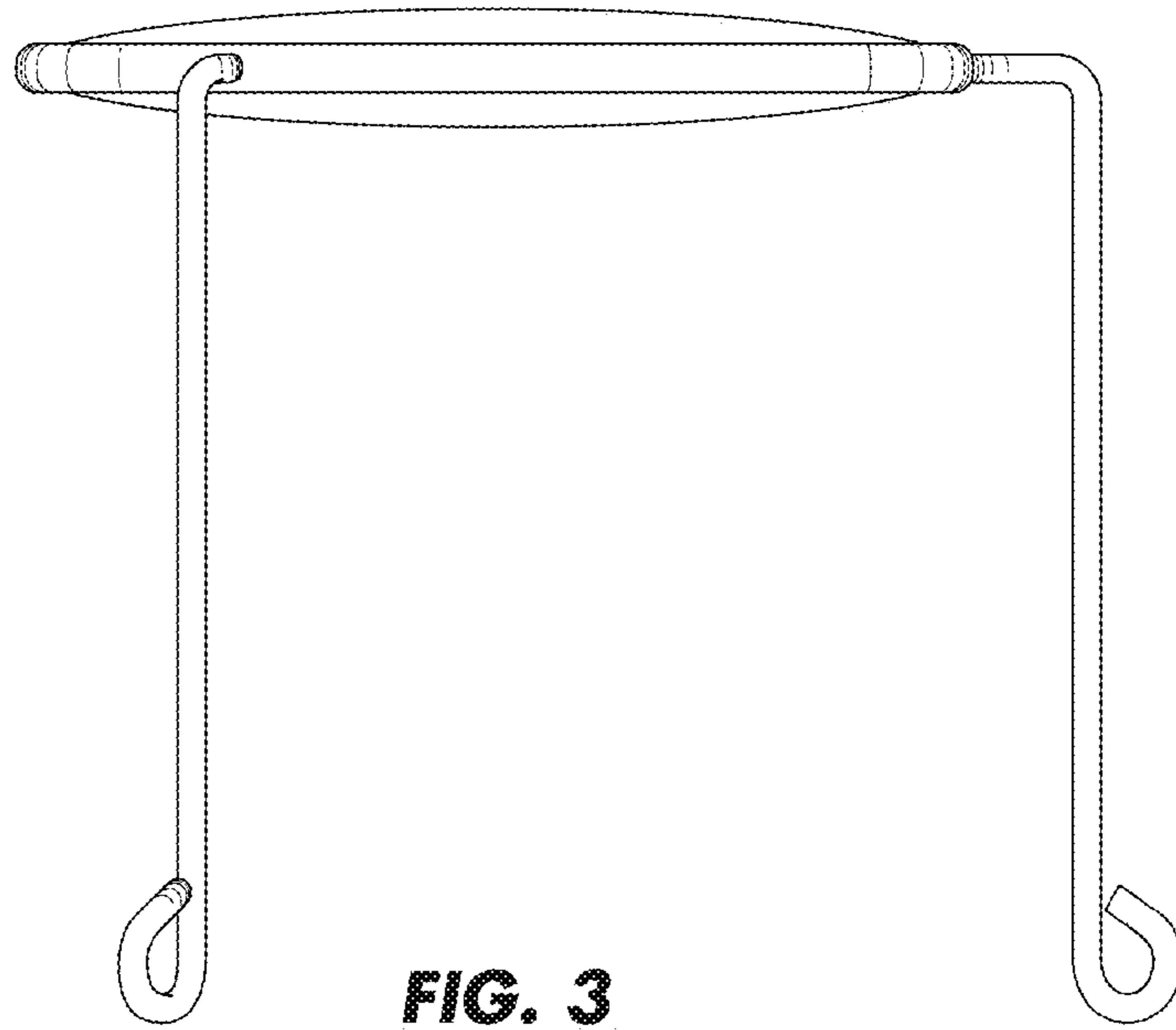
FIG. 6 is a bottom plan view thereof; and,

FIG. 7 is a front perspective view thereof.

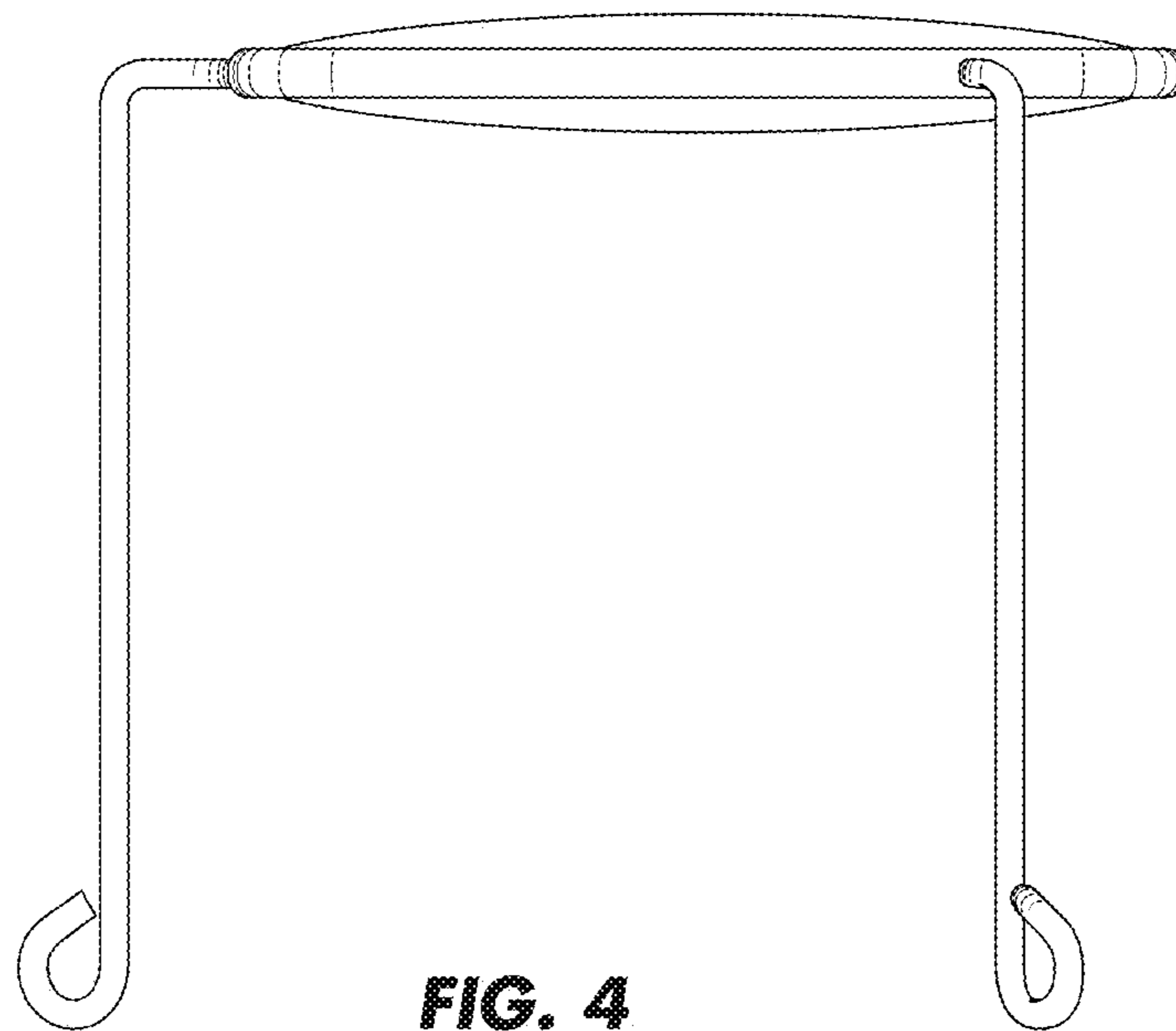
**1 Claim, 4 Drawing Sheets**



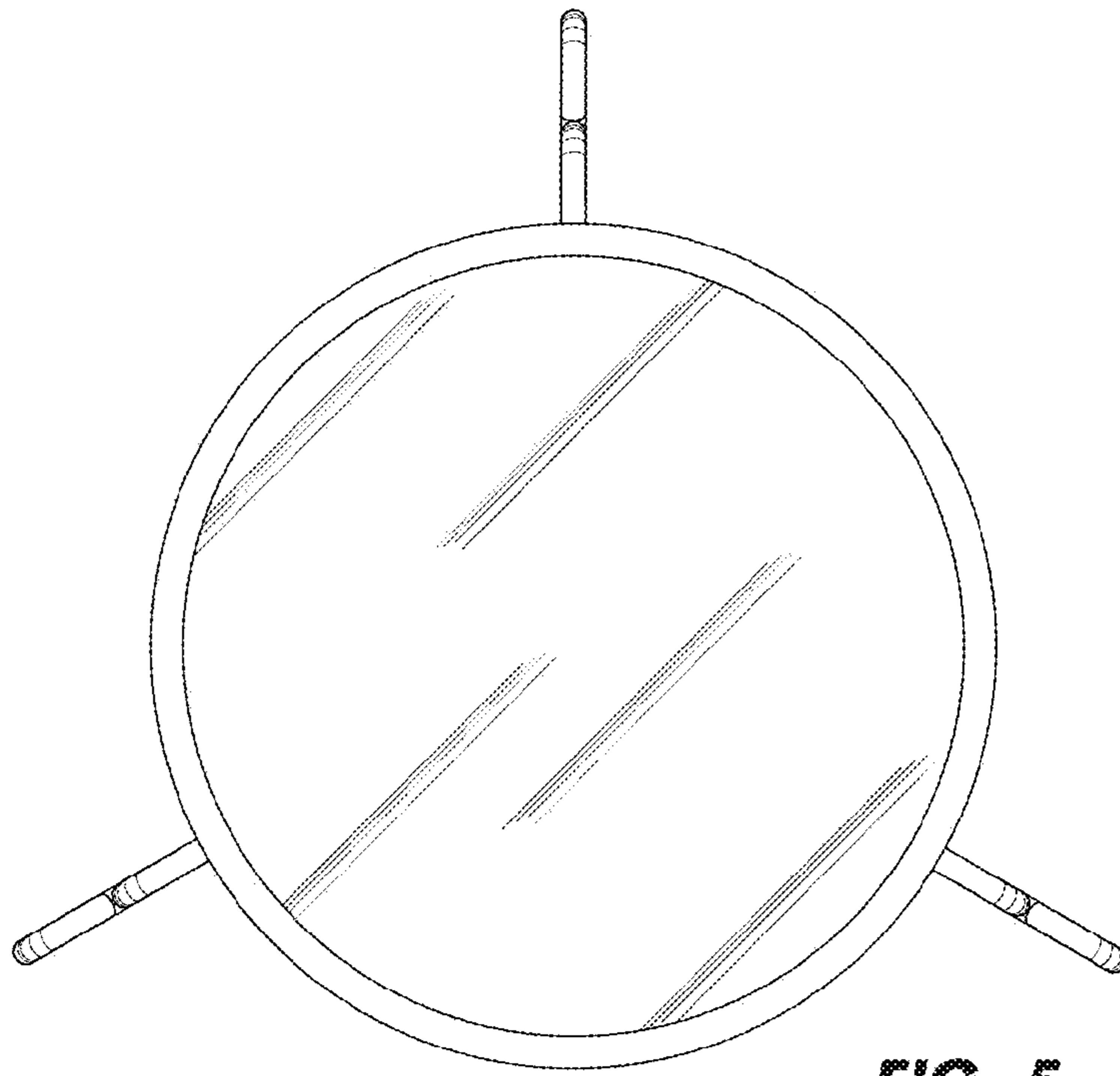




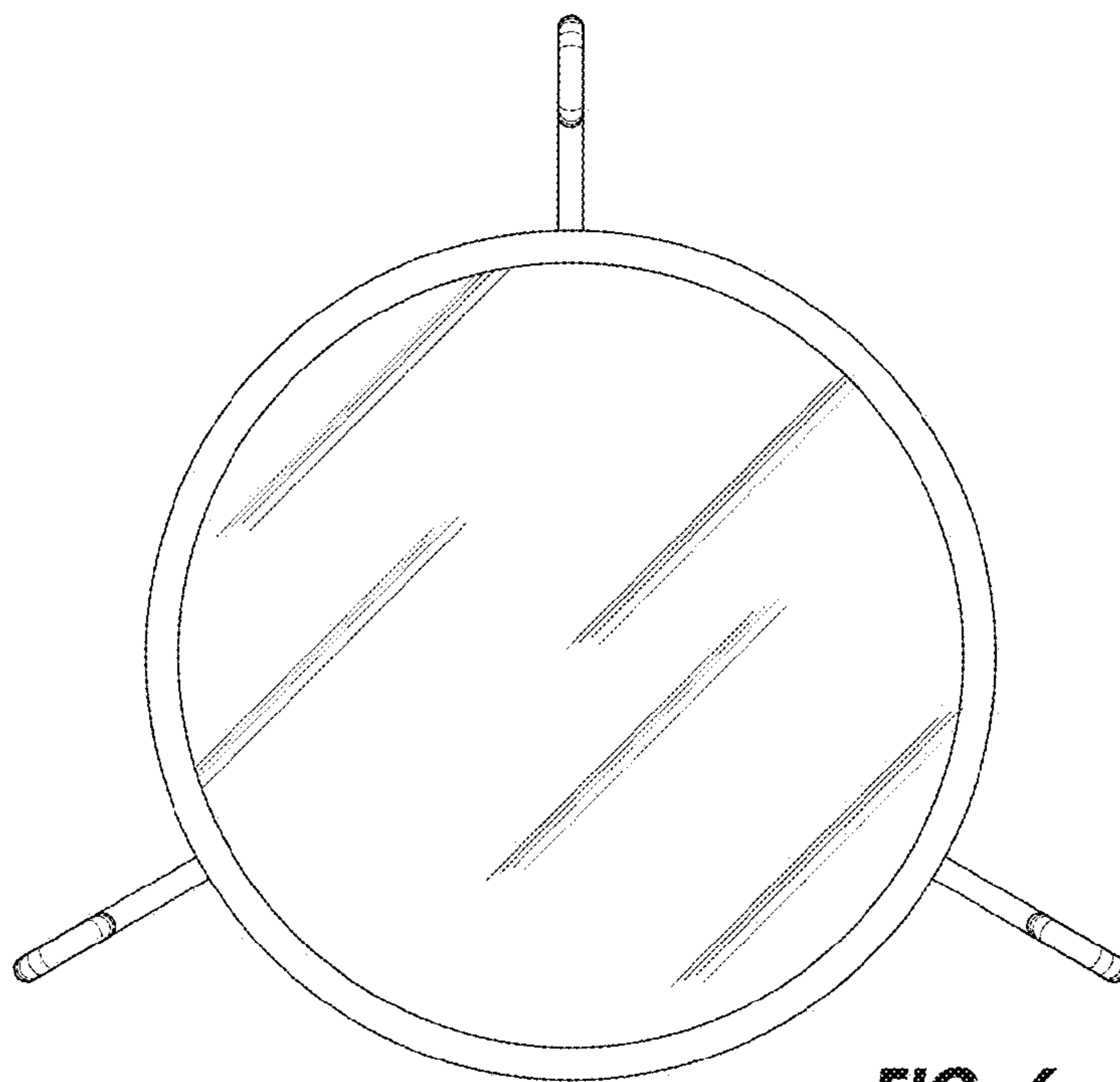
**FIG. 3**



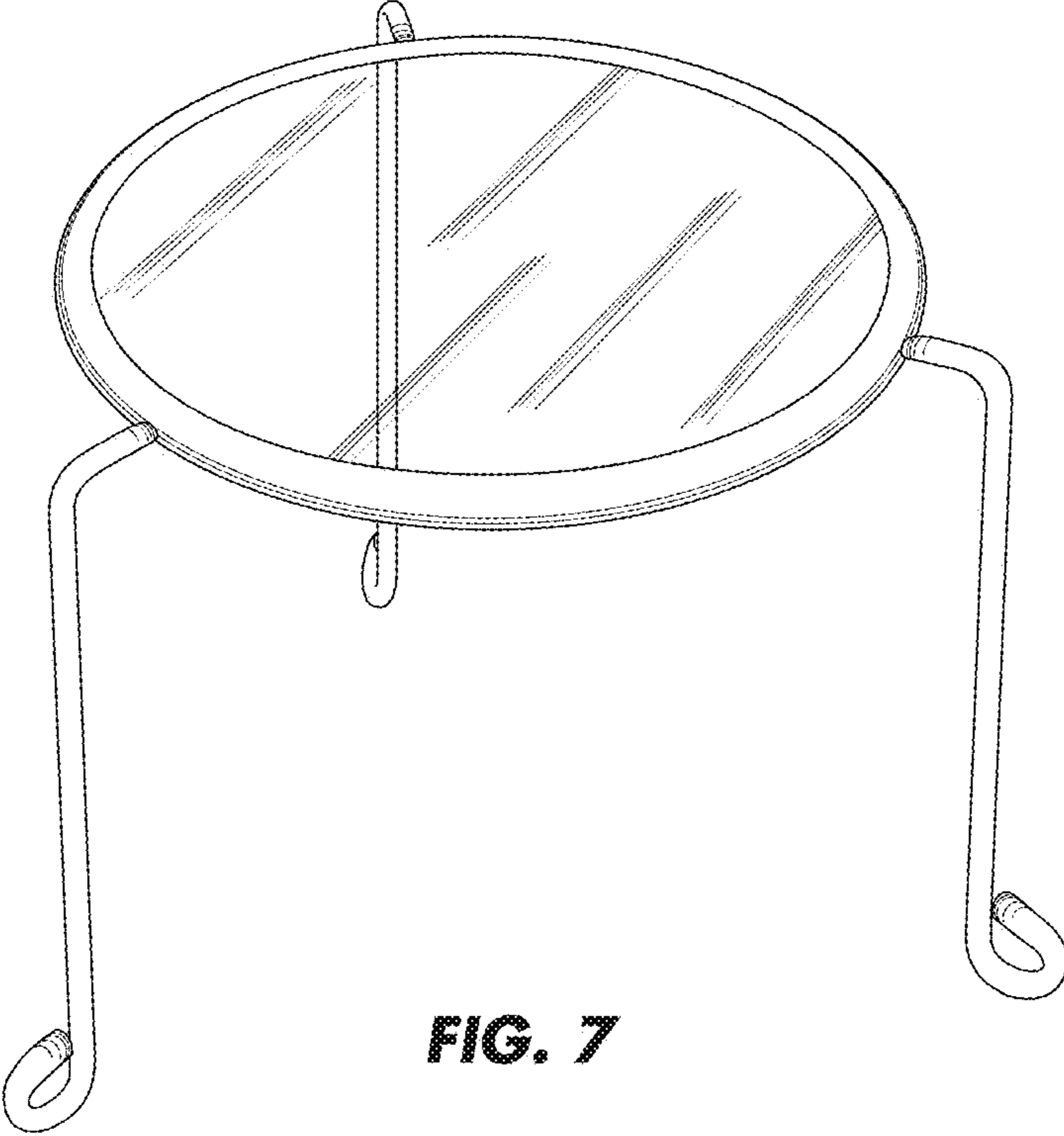
**FIG. 4**



**FIG. 5**



**FIG. 6**



**FIG. 7**