



US00D742948S

(12) **United States Design Patent**
Kenno et al.

(10) **Patent No.:** **US D742,948 S**

(45) **Date of Patent:** **** Nov. 10, 2015**

(54) **CUTTING BIT**

(71) Applicant: **Kennametal Inc.**, Latrobe, PA (US)

(72) Inventors: **Brandon J. Kenno**, Windber, PA (US);
Jacques B. Williams, Claysburg, PA
(US); **David S. Rose**, Windber, PA (US)

(73) Assignee: **KENNAMETAL INC.**, Latrobe, PA
(US)

(**) Term: **14 Years**

(21) Appl. No.: **29/511,548**

(22) Filed: **Dec. 11, 2014**

(51) **LOC (10) Cl.** **15-09**

(52) **U.S. Cl.**

USPC **D15/139**

(58) **Field of Classification Search**

USPC D15/138-144.2, 21, 123; 299/104-111;
241/207; 219/137.31, 137.42-137.44,
219/137.61-137.63, 74, 75; D8/70;
D23/223

See application file for complete search history.

(56) **References Cited**

U.S. PATENT DOCUMENTS

D81,479 S * 7/1930 Heitkamp D15/138
5,131,725 A 7/1992 Rowlett et al.
D347,232 S 5/1994 Massa et al.
5,324,098 A 6/1994 Massa et al.
D404,629 S * 1/1999 Cooper D8/70

6,019,434 A 2/2000 Emmerich
6,196,636 B1 3/2001 Mills et al.
6,341,823 B1 1/2002 Sollami
6,354,771 B1 3/2002 Bauschulte et al.
D520,035 S * 5/2006 Kammerer D15/139
D572,735 S 7/2008 Kammerer
D572,736 S * 7/2008 Chiang D15/139
D585,918 S * 2/2009 Chiang D15/139
D627,808 S * 11/2010 Kammerer D15/139
D627,809 S * 11/2010 Kammerer D15/139
D636,797 S * 4/2011 Kammerer D15/139
D637,213 S * 5/2011 Kammerer D15/139
2010/0295360 A1 * 11/2010 Kramer et al. 299/110
2011/0204702 A1 * 8/2011 Lehnert et al. 299/105

* cited by examiner

Primary Examiner — Susan Bennett Hattan

Assistant Examiner — Brett Miller

(74) *Attorney, Agent, or Firm* — Larry R. Meenan

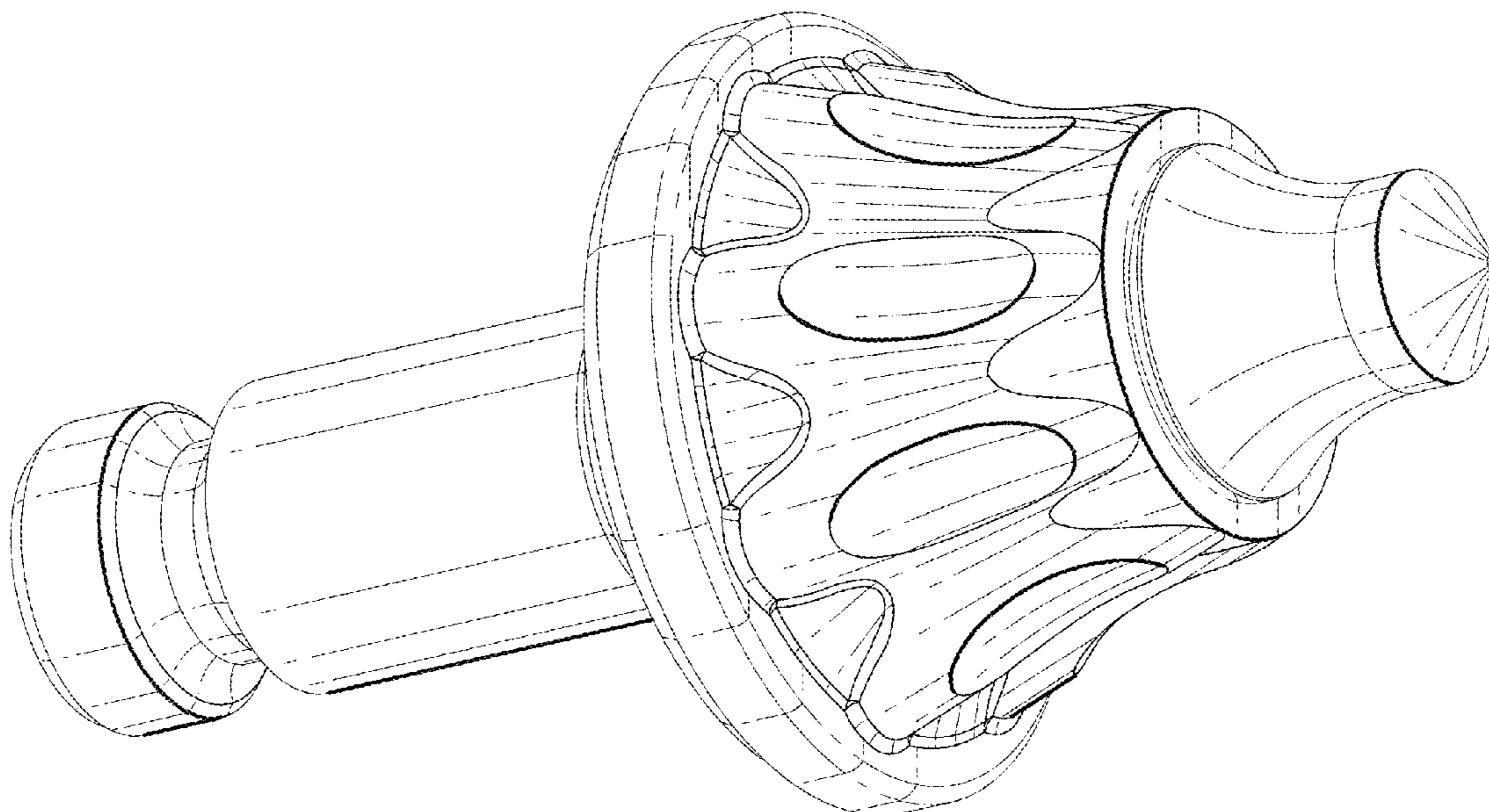
(57) **CLAIM**

We claim the ornamental design of a cutting bit, as shown and described.

DESCRIPTION

FIG. 1 is an isometric view of the cutting bit showing our new design, in accordance with an aspect of the invention; FIG. 2 is a right side view of the cutting bit of FIG. 1; FIG. 3 is a left side view of the cutting bit of FIG. 1; FIG. 4 is a front view of the cutting bit of FIG. 1; FIG. 5 is a rear view of the cutting bit of FIG. 1; FIG. 6 is a top view of the cutting bit of FIG. 1; and, FIG. 7 is a bottom view of the cutting bit of FIG. 1.

1 Claim, 7 Drawing Sheets



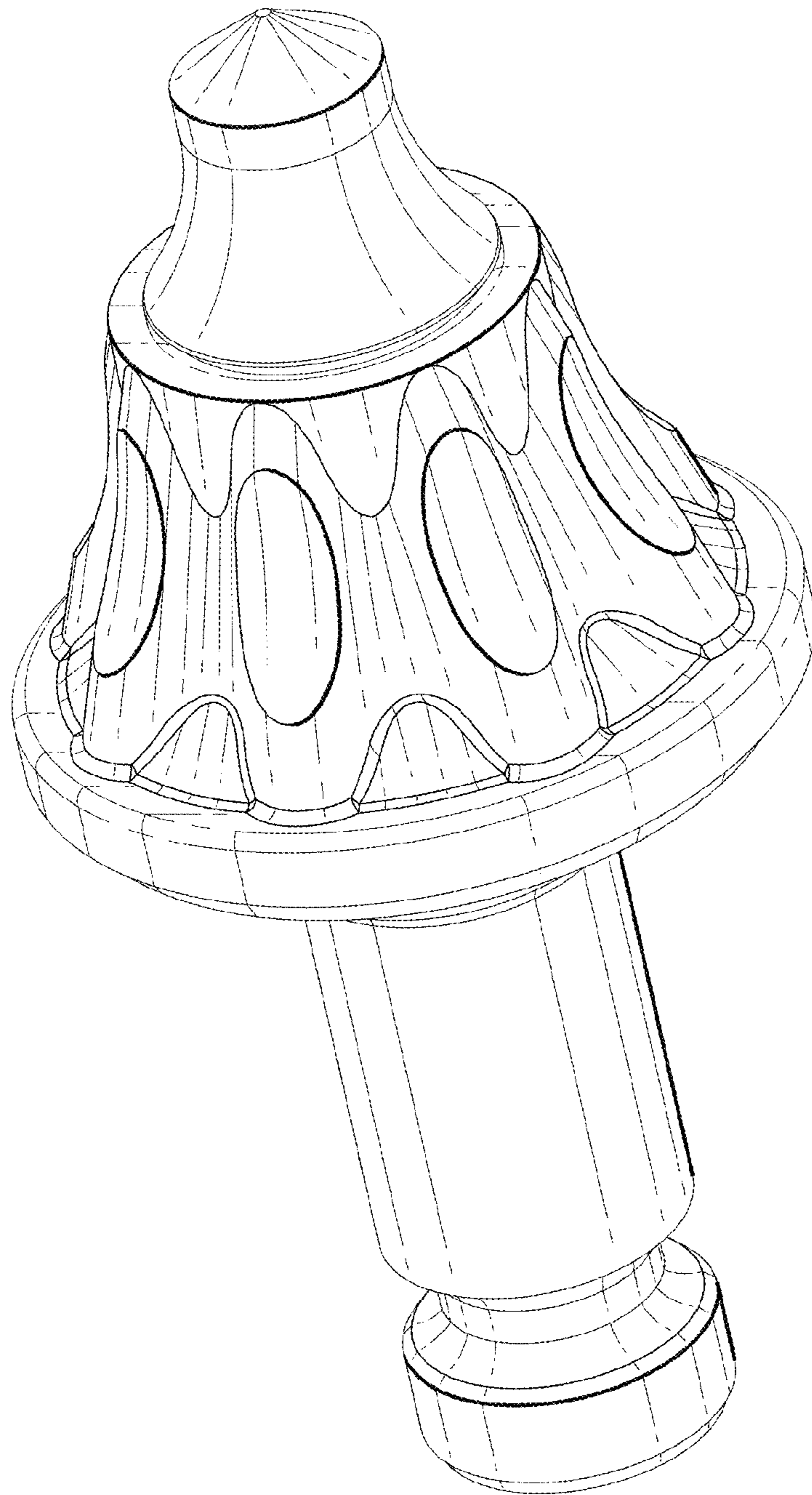


FIG. 1

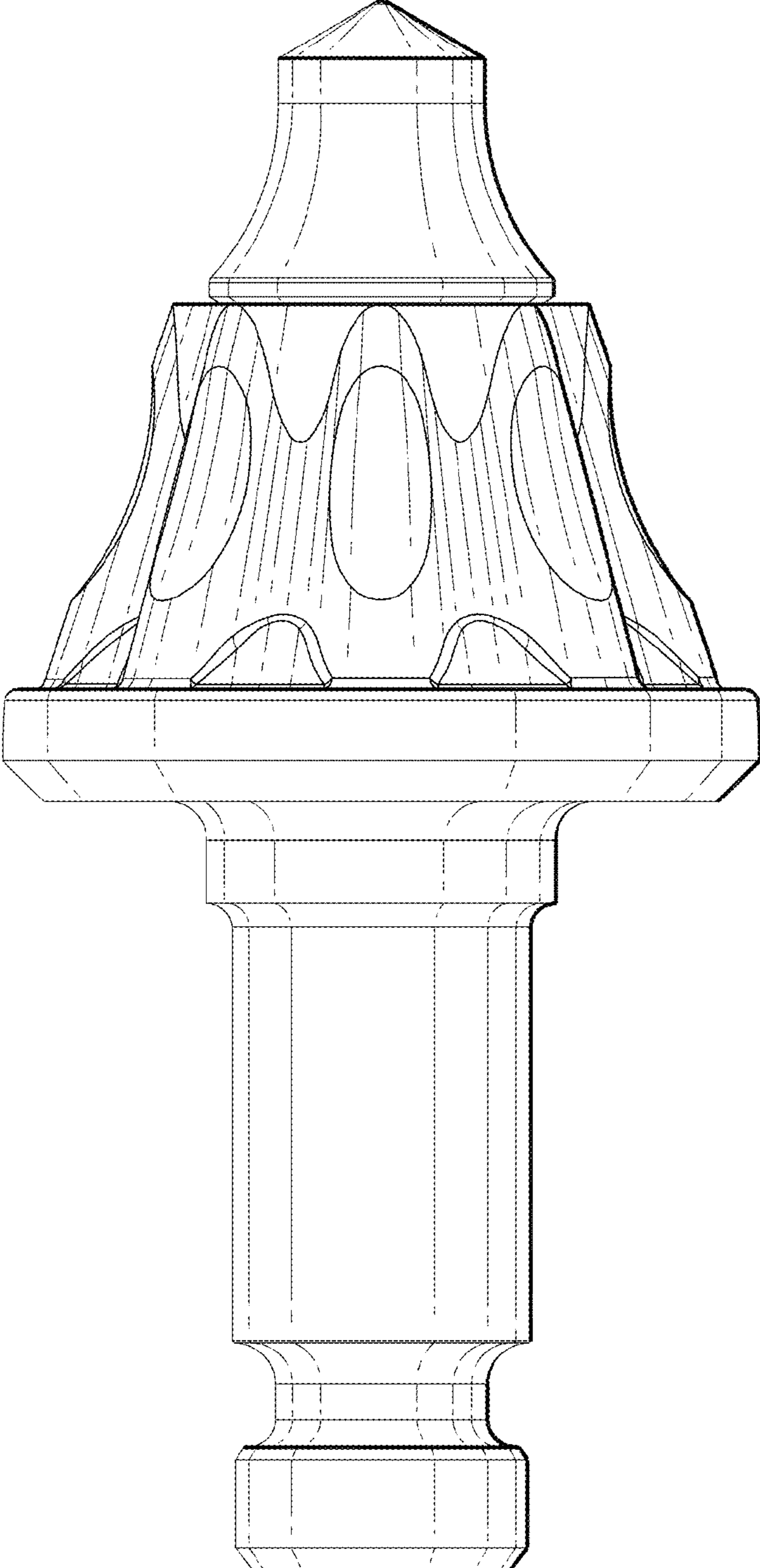


FIG. 2

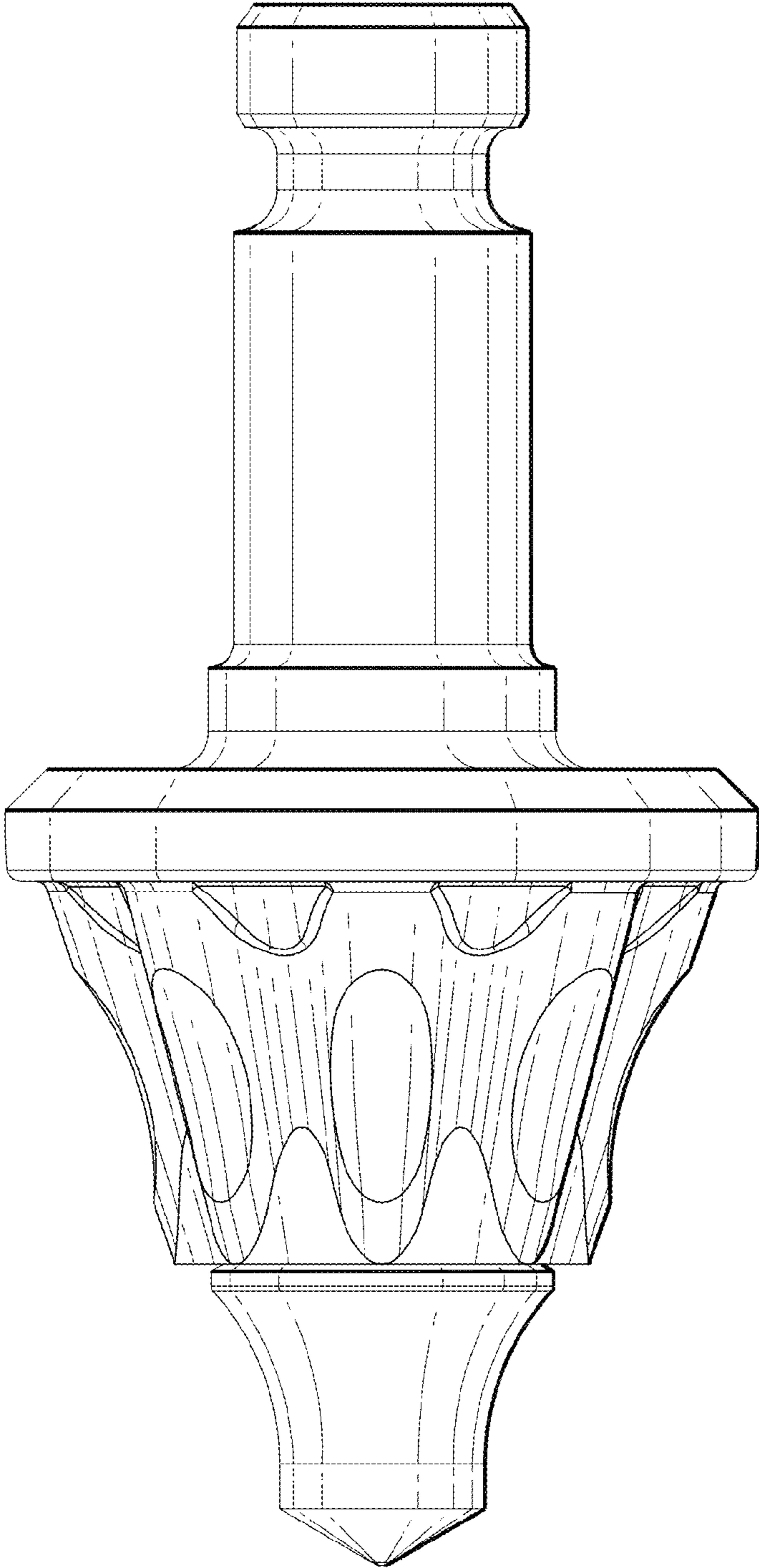


FIG. 3

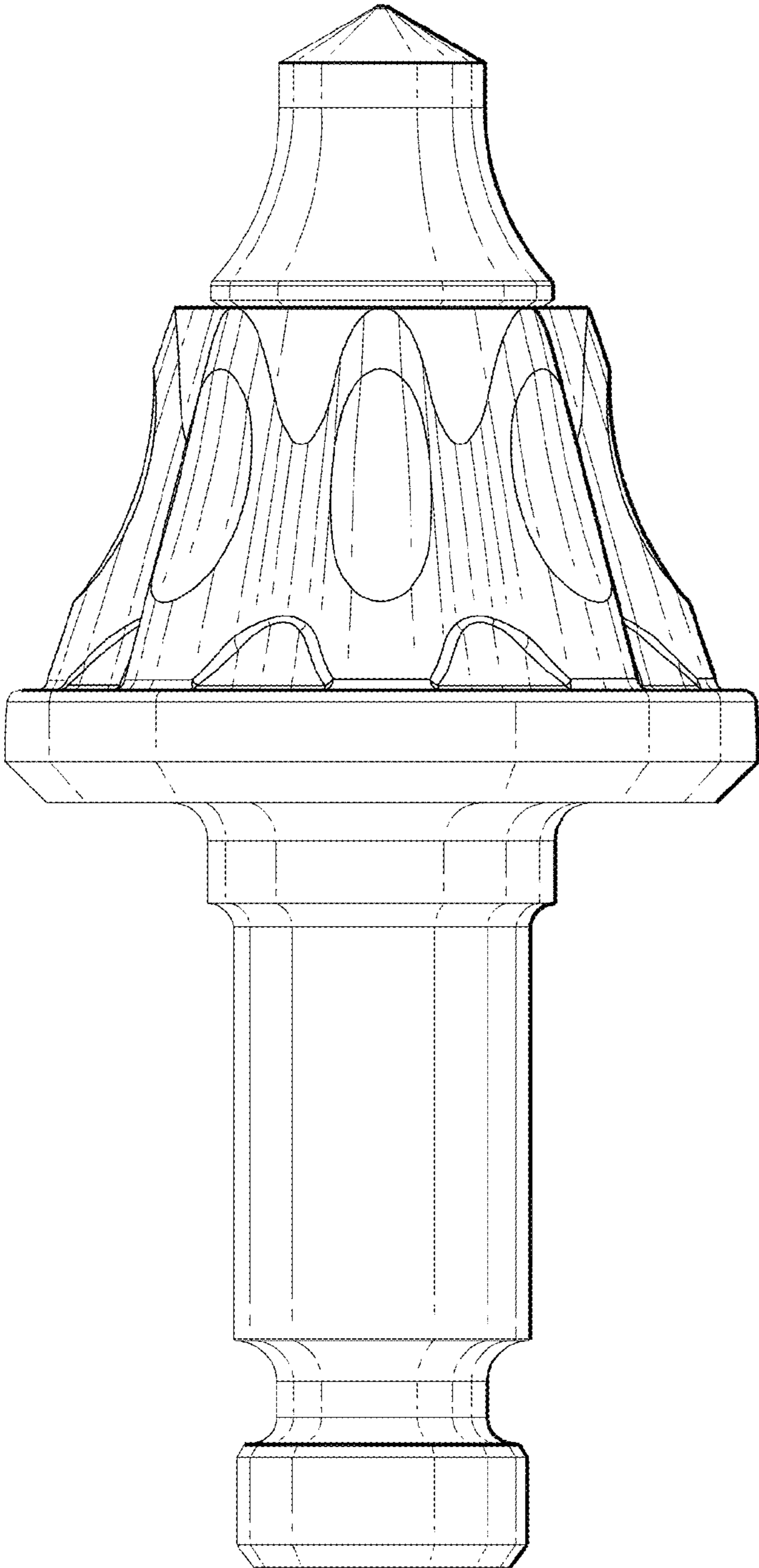


FIG. 4

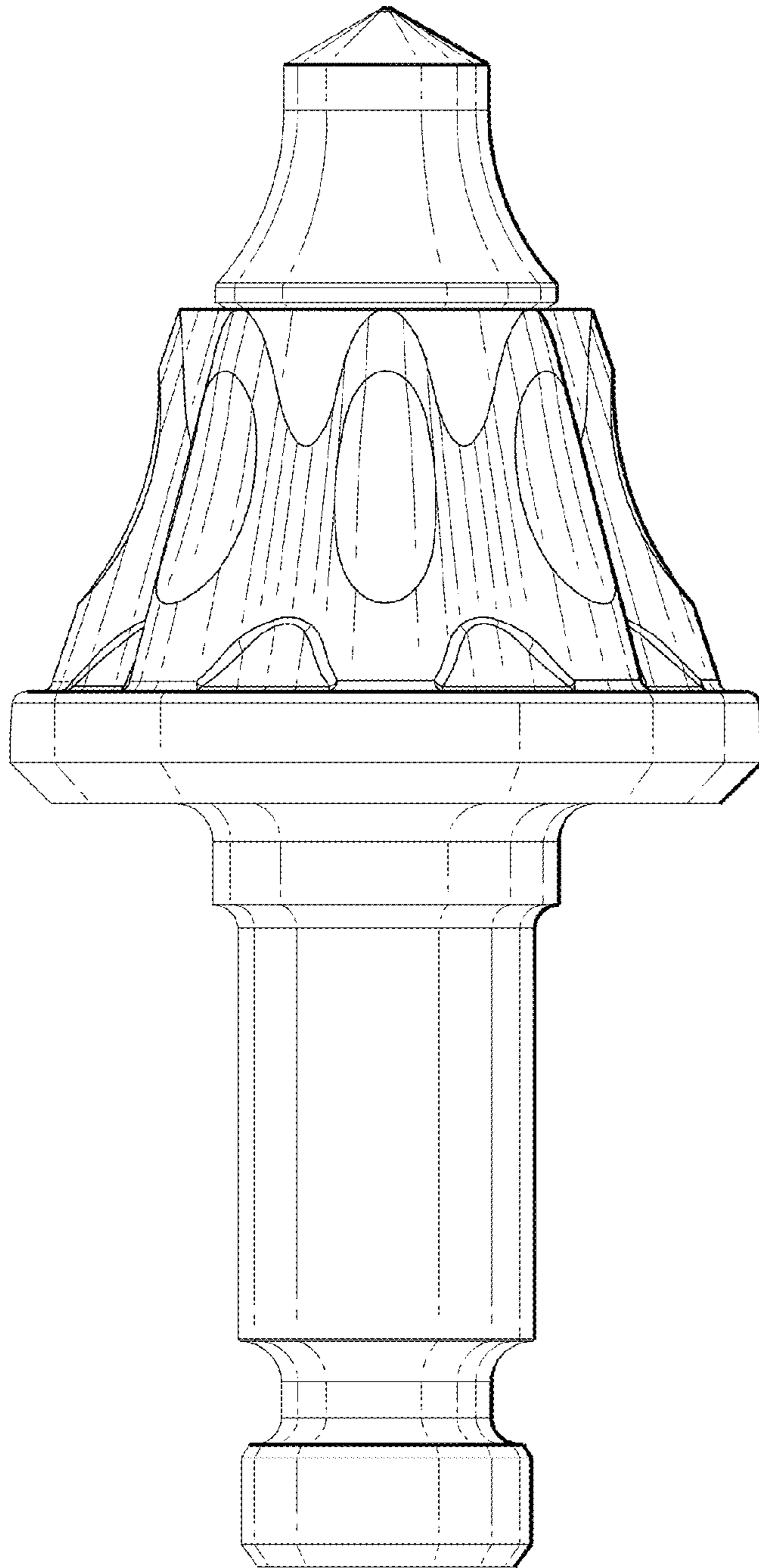


FIG. 5

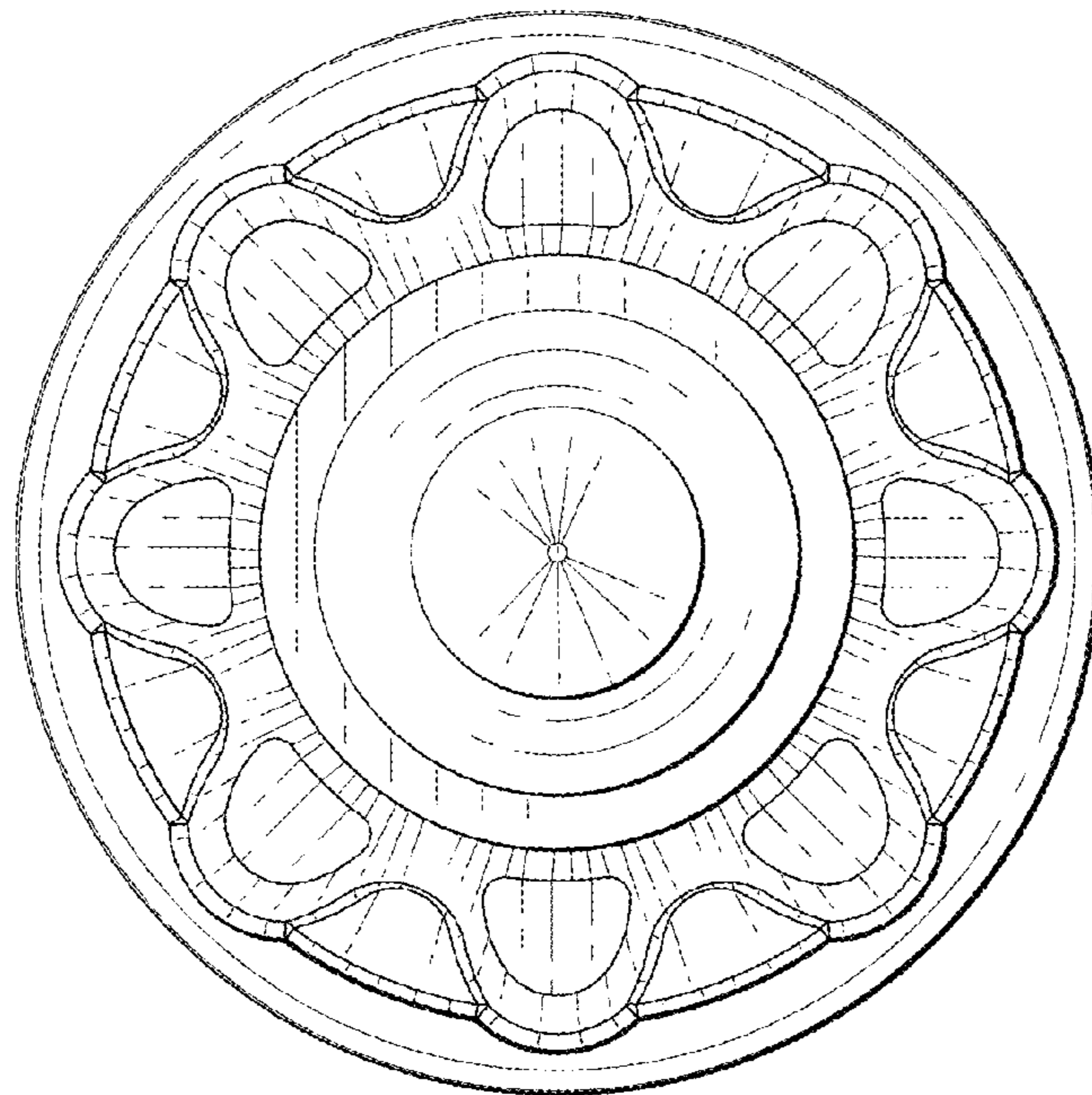


FIG. 6

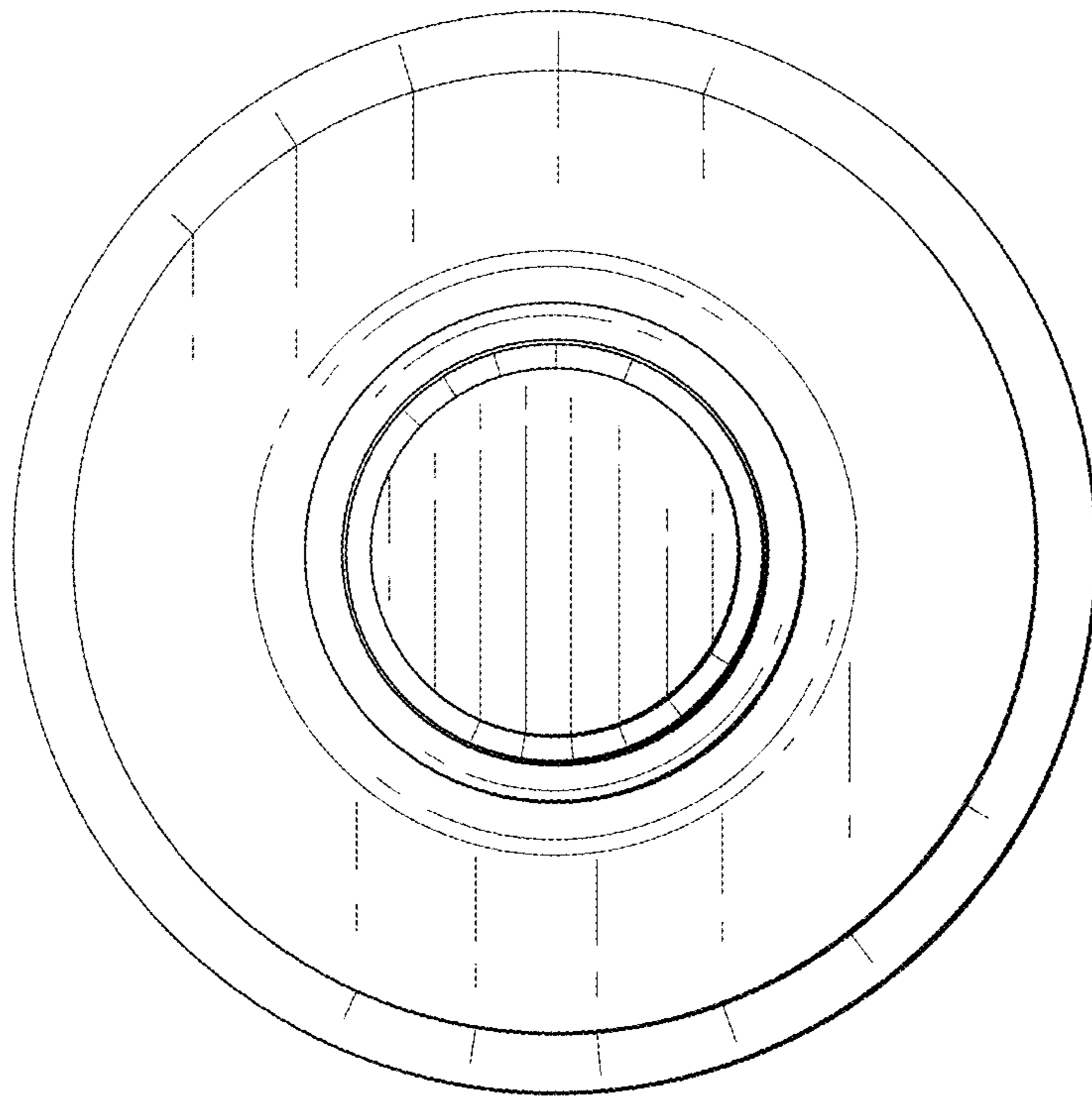


FIG. 7