



US00D742942S

(12) **United States Design Patent**
McConnell

(10) **Patent No.:** **US D742,942 S**

(45) **Date of Patent:** **** Nov. 10, 2015**

(54) **APPLIANCE DRAWER INTERIOR WITH COLOR**

(71) Applicant: **Whirlpool Corporation**, Benton Harbor, MI (US)

(72) Inventor: **Jessica McConnell**, St. Joseph, MI (US)

(73) Assignee: **Whirlpool Corporation**, Benton Harbor, MI (US)

(**) Term: **14 Years**

(21) Appl. No.: **29/450,208**

(22) Filed: **Mar. 15, 2013**

(51) **LOC (10) Cl.** **15-07**

(52) **U.S. Cl.**
USPC **D15/89**

(58) **Field of Classification Search**
USPC D15/79, 81, 84, 85, 86, 88, 89, 91
CPC F25D 2323/02; F25D 2323/021; F25D 2317/06; F25D 2317/062; F25D 2323/121; F25D 2323/122; F25D 2331/806; F25D 2400/36; F25D 13/02; F25D 13/04; F25D 11/02; F25D 11/025

See application file for complete search history.

(56) **References Cited**

U.S. PATENT DOCUMENTS

D508,249	S	*	8/2005	Seok et al.	D15/86
D511,177	S	*	11/2005	Jackovin et al.	D15/89
D511,179	S	*	11/2005	Tunzi	D15/89
D518,832	S	*	4/2006	Park et al.	D15/85
D616,001	S		5/2010	Yang et al.		
D629,819	S	*	12/2010	Placke et al.	D15/89
D639,315	S	*	6/2011	Yang et al.	D15/85
D647,927	S	*	11/2011	Lee et al.	D15/85
D654,515	S	*	2/2012	Hwang et al.	D15/85

(Continued)

Primary Examiner — Ian Simmons
Assistant Examiner — Khawaja Anwar

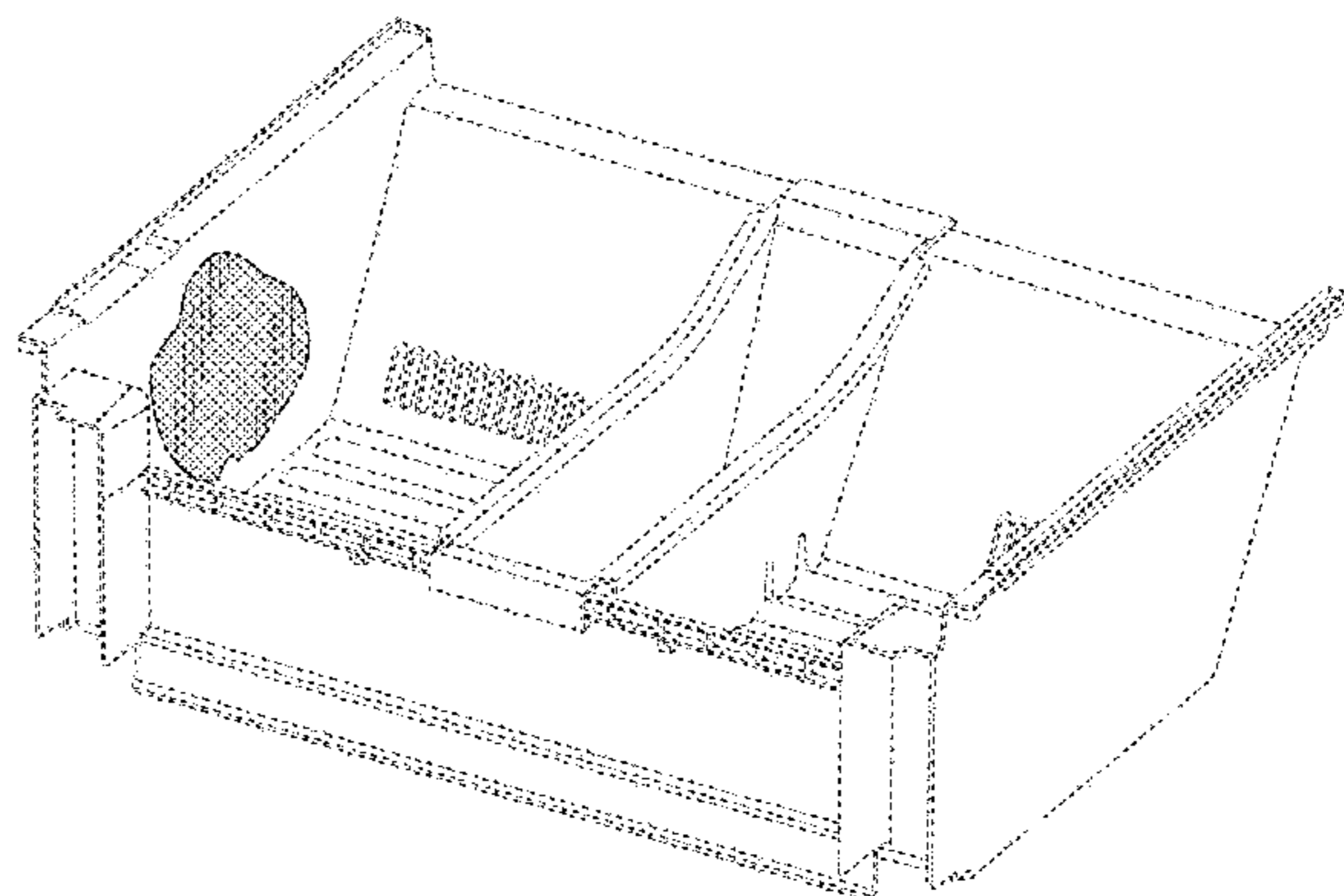
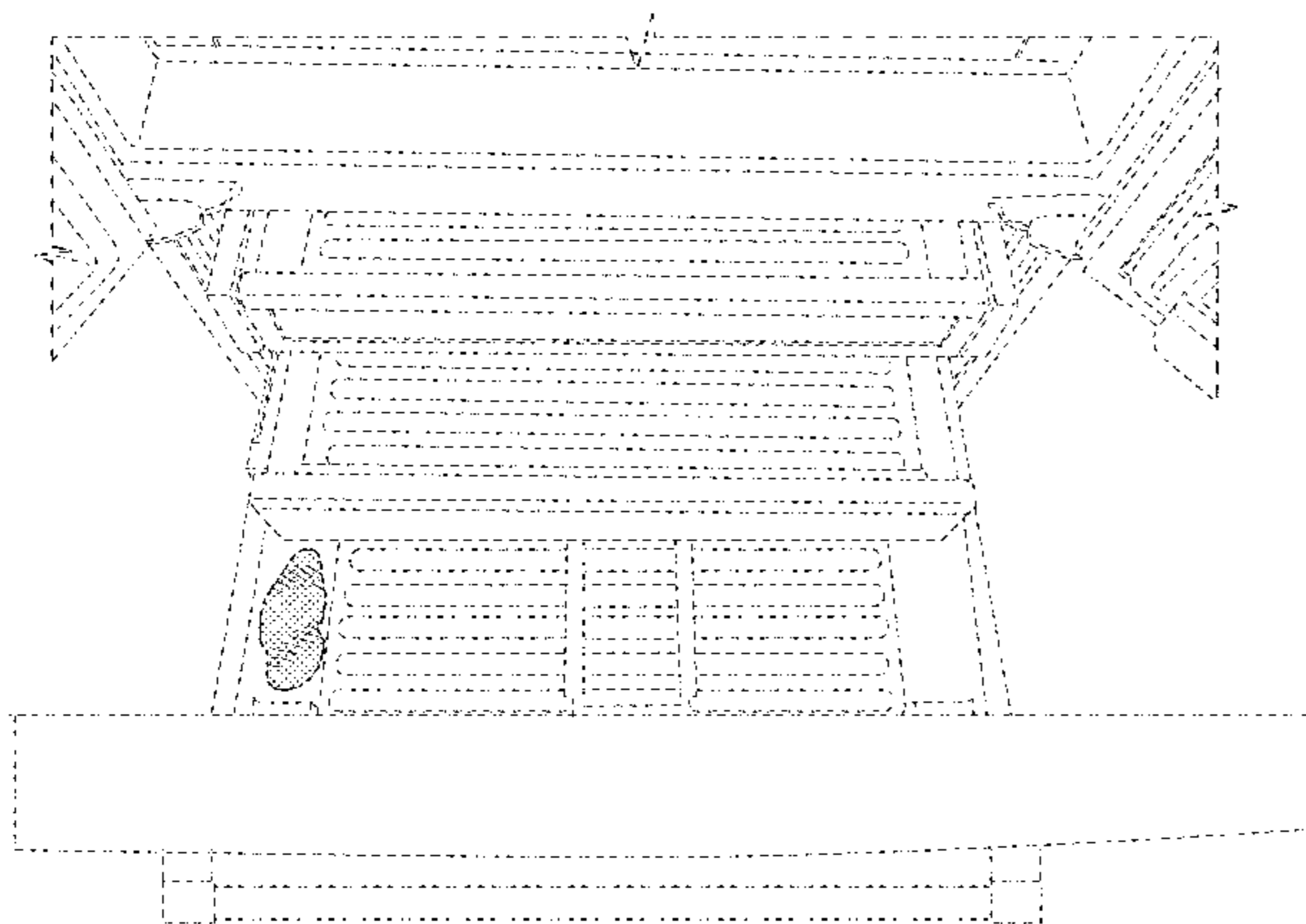
(57) **CLAIM**
I claim the ornamental design for an appliance drawer interior with color, as shown and described.

DESCRIPTION

FIG. 1 is a perspective view of the outside of an appliance drawer interior with color, showing my new design;
FIG. 2 is a front elevation view thereof;
FIG. 3 is a right side elevation view thereof;
FIG. 4 is a top plan view thereof;
FIG. 5 is a bottom plan view thereof;
FIG. 6 is a front perspective view of an appliance drawer interior with color in closed position with a partially opened typical interior;
FIG. 7 is a front elevation view thereof;
FIG. 8 is a perspective view of the right side of the partially opened typical interior;
FIG. 9 is a perspective view of the left side of the partially opened typical interior;
FIG. 10 is a perspective view of an isolated element of the partially opened typical interior;
FIG. 11 is a front elevation view thereof;
FIG. 12 is a perspective view of another isolated element of the partially opened typical interior;
FIG. 13 is a front elevation view thereof;
FIG. 14 is a front perspective view of an appliance drawer interior with color in an open position with a partially opened typical interior;
FIG. 15 is a top perspective view of an appliance drawer interior with color in a partially open position;
FIG. 16 is a top-perspective view thereof in a complete open position; and,
FIG. 17 is an isolated front-perspective view thereof.

The broken lines in the figures are for contextual purposes or show the environment and form no part of the claimed design. The dash-dot broken lines adjacent shaded areas represent bounds of the claimed design and form no part of the claimed design.

1 Claim, 16 Drawing Sheets



(56)

References Cited

U.S. PATENT DOCUMENTS

D655,321 S *	3/2012	Lee et al.	D15/86	D674,417 S	1/2013	Seo et al.	
D658,214 S	4/2012	Seo et al.		D685,010 S	6/2013	Seo et al.	
D668,696 S	10/2012	Seo et al.		D707,735 S *	6/2014	Cho et al.	D15/91
D671,151 S	11/2012	Seo et al.		D710,401 S *	8/2014	Ringemann et al.	D15/85
D671,572 S	11/2012	Seo et al.		D710,402 S *	8/2014	Jeon et al.	D15/86
				D716,851 S *	11/2014	Seo et al.	D15/89
				D718,346 S *	11/2014	Cho et al.	D15/81
				D718,349 S *	11/2014	Cho et al.	D15/85

* cited by examiner

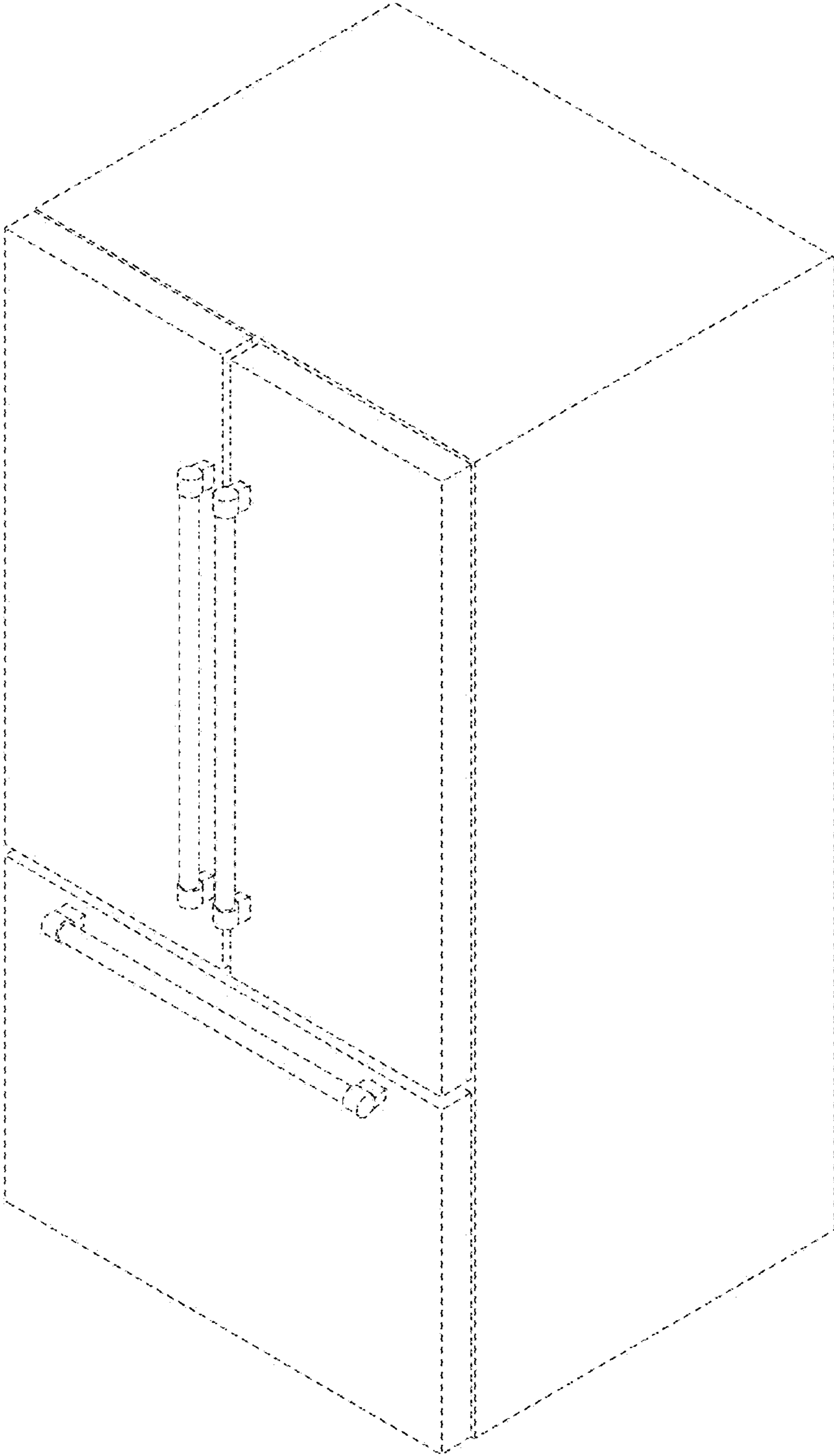


FIG. 1

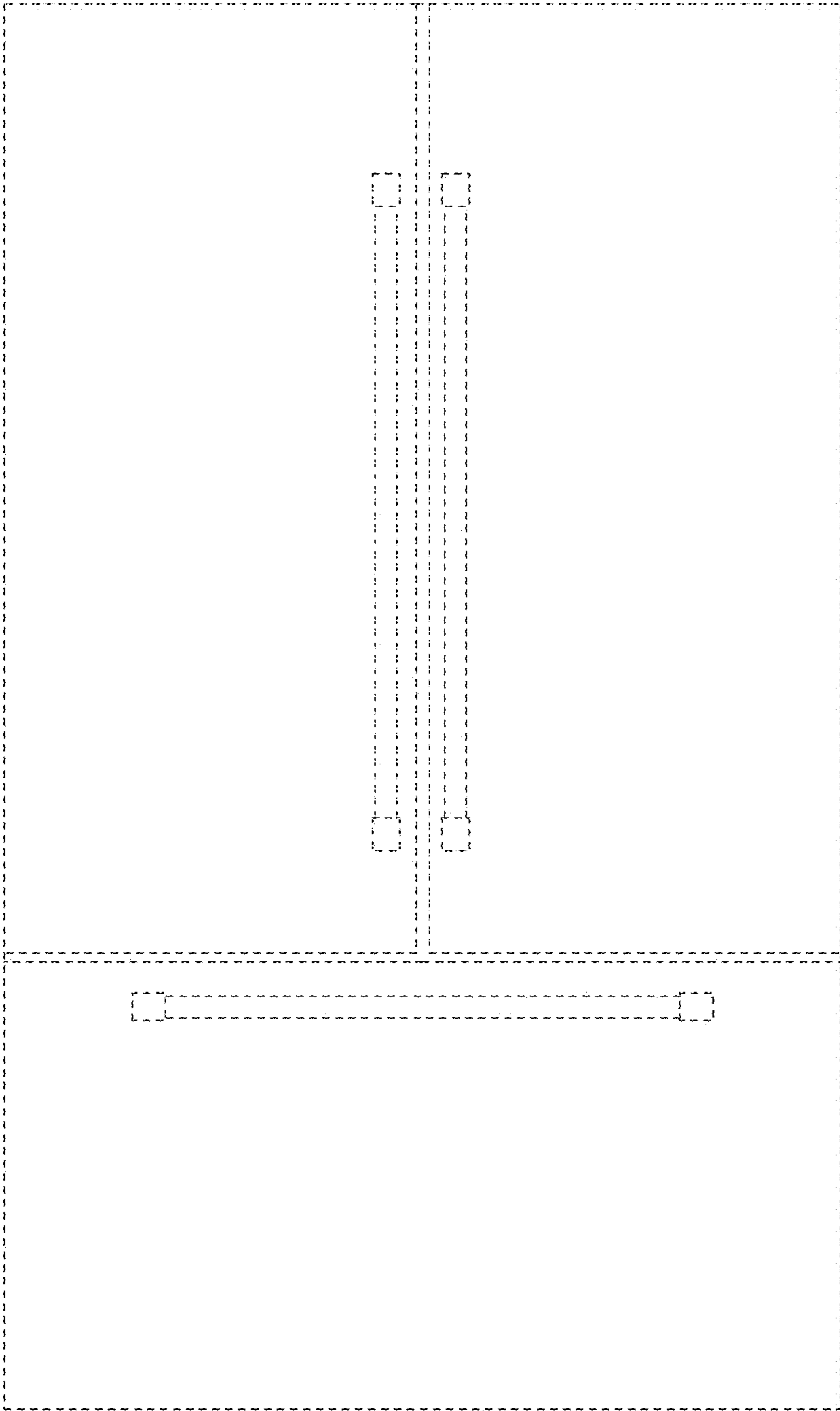


FIG. 2

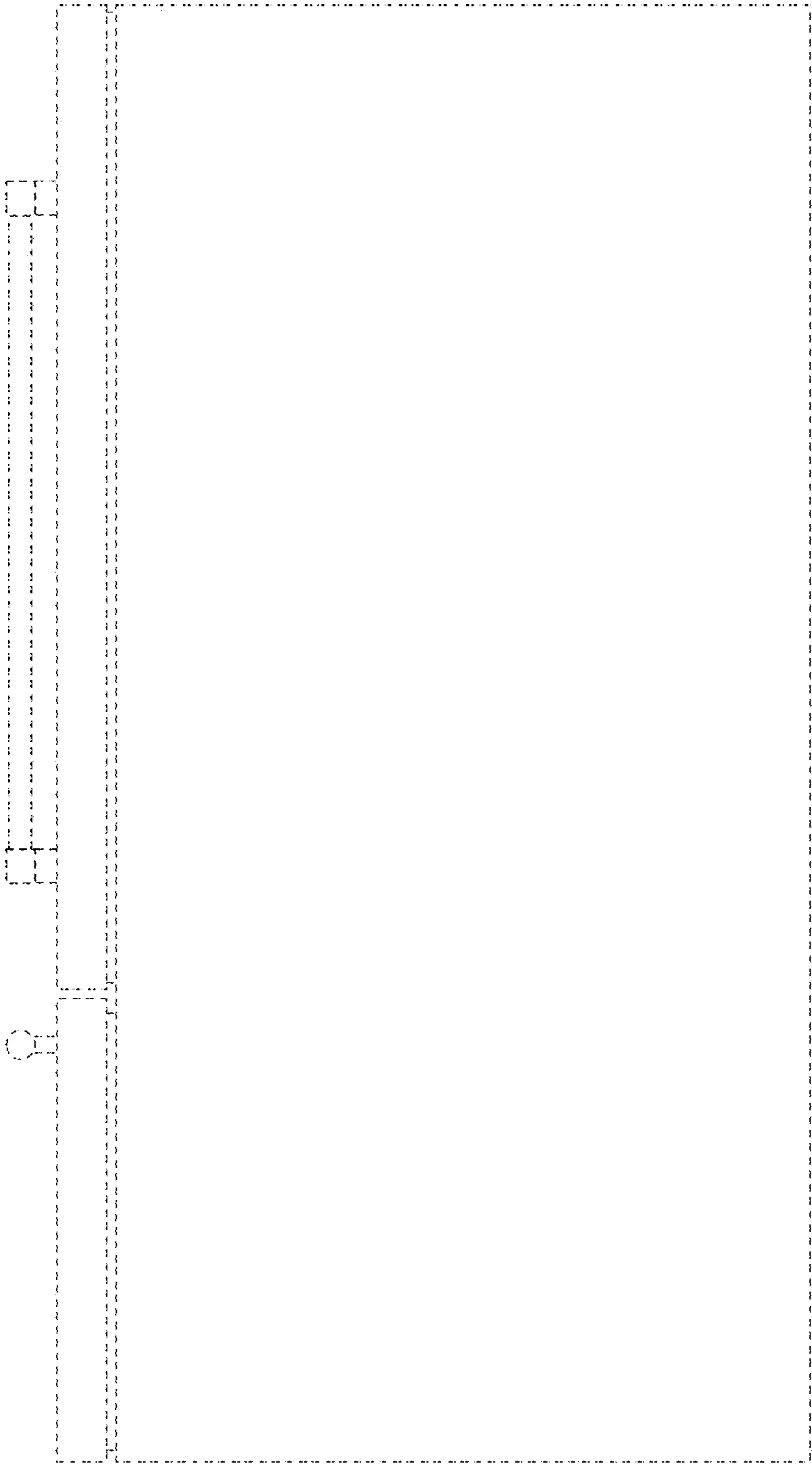


FIG. 3

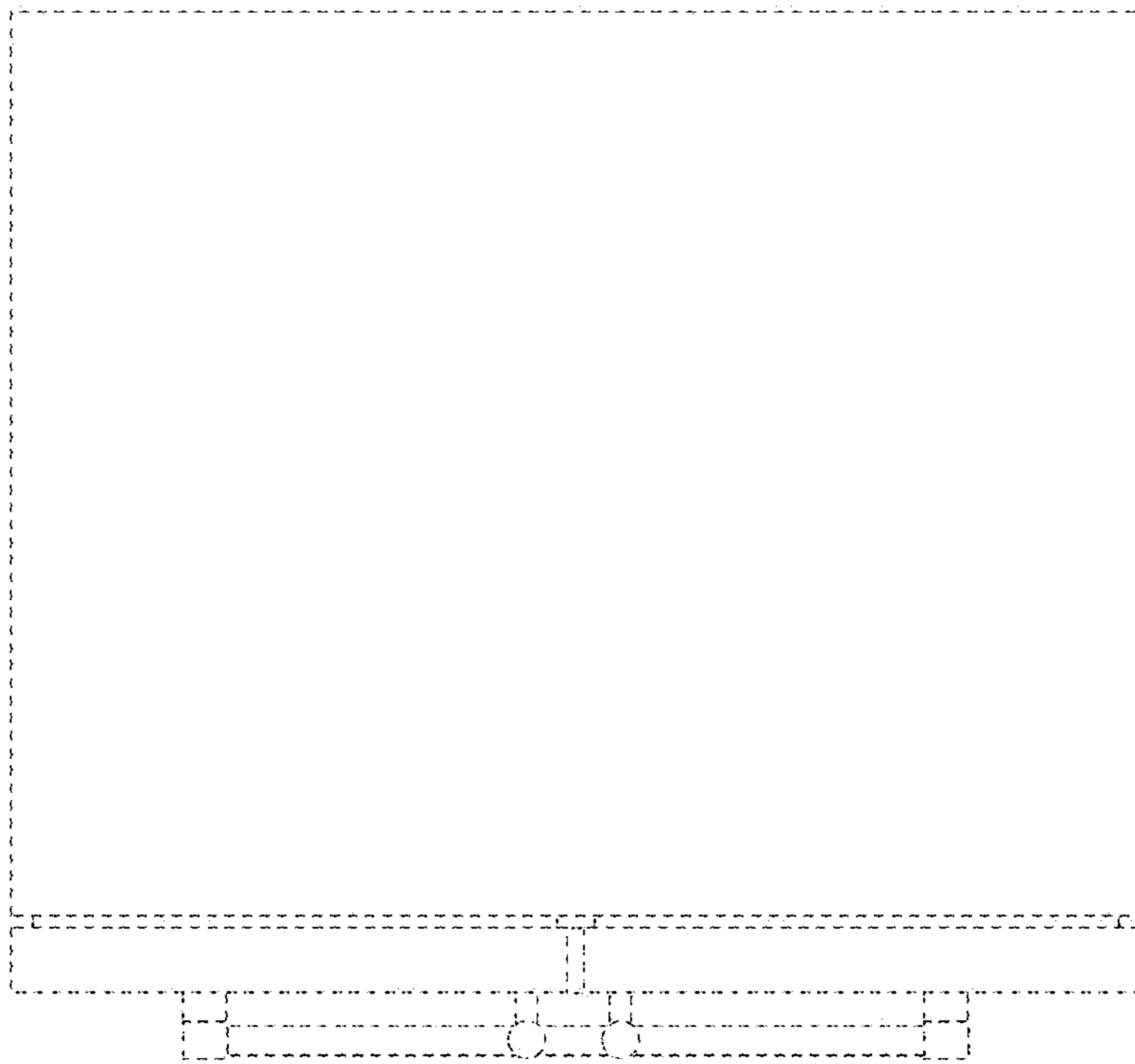


FIG. 4

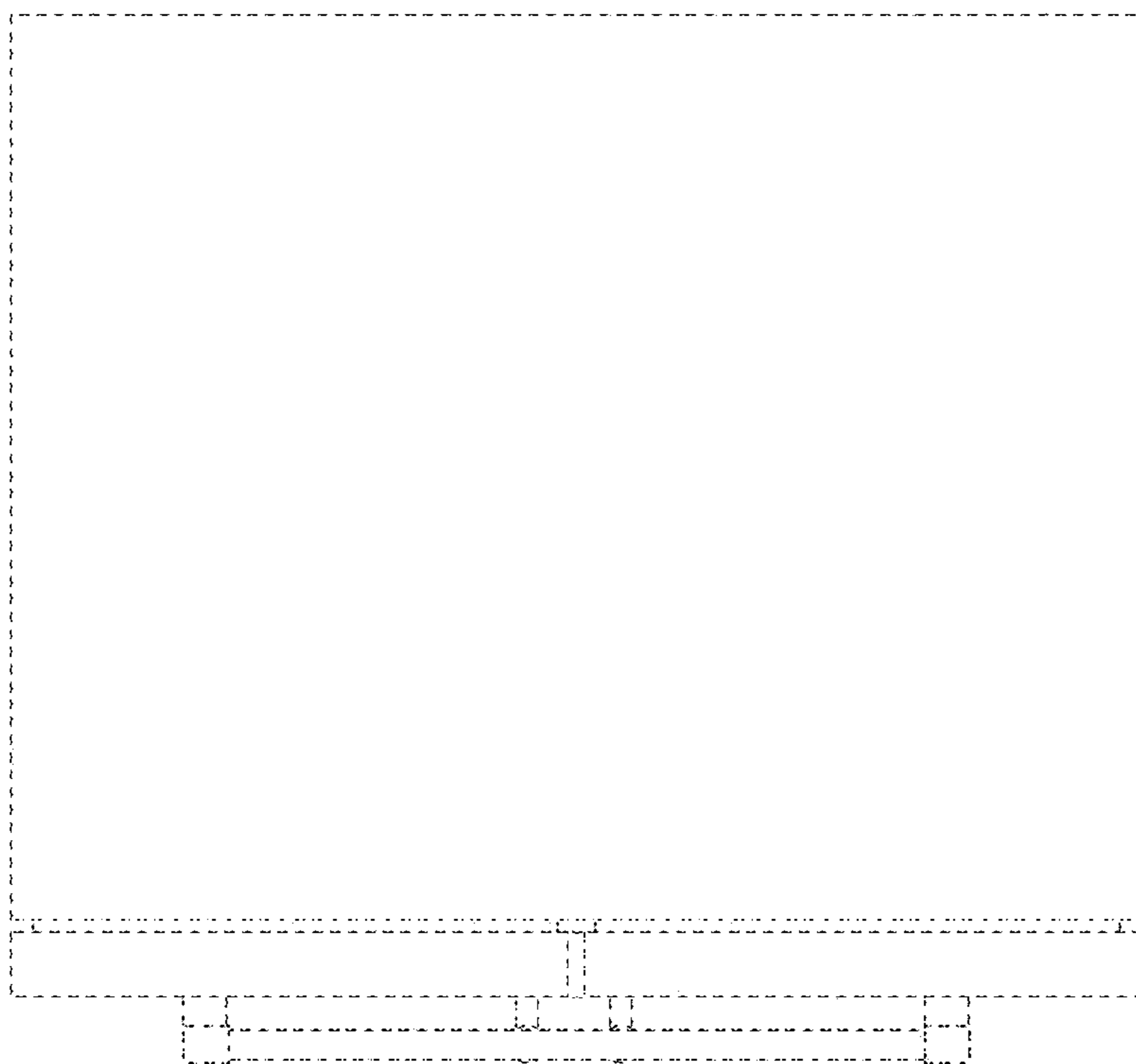


FIG. 5

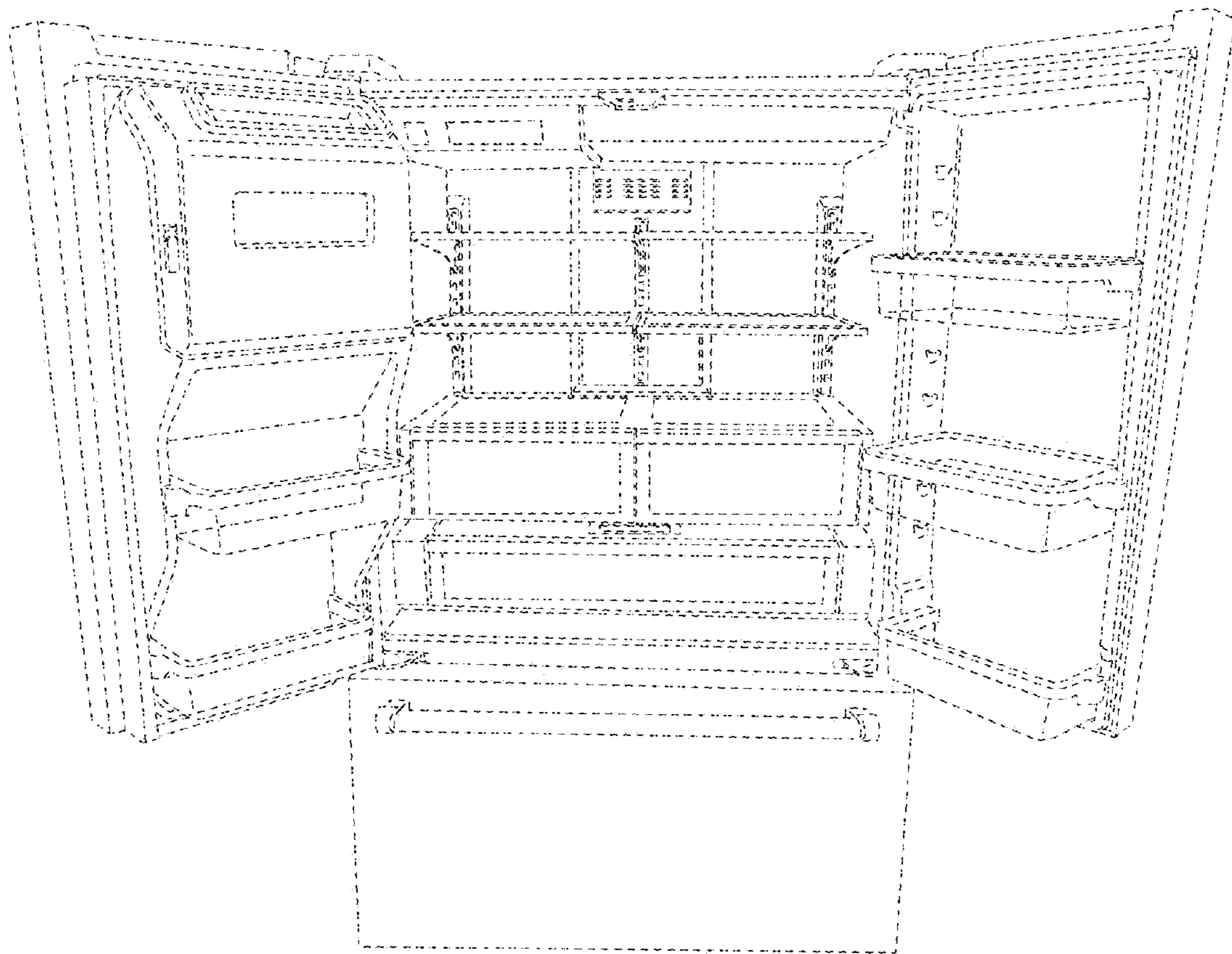


FIG. 6

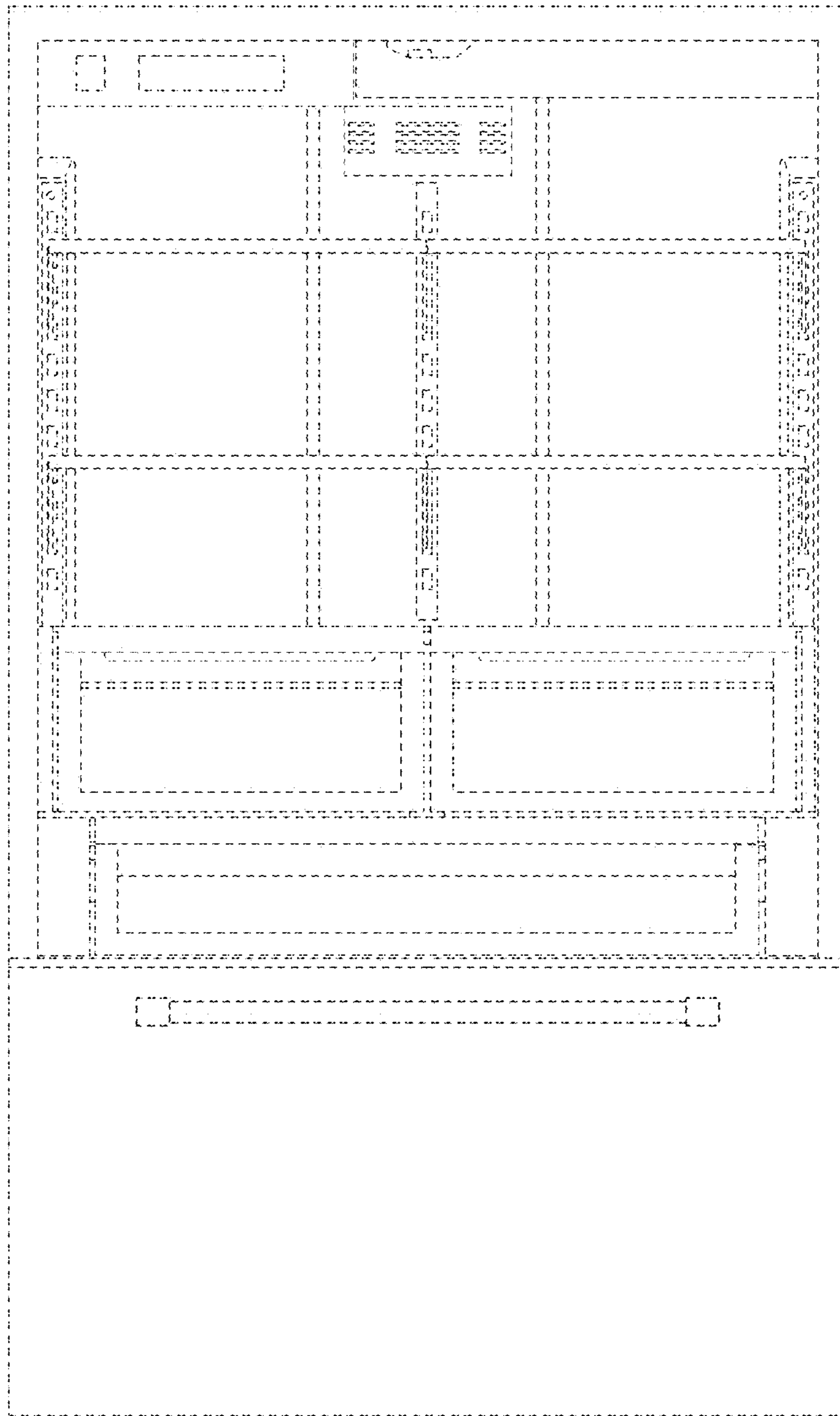


FIG. 7

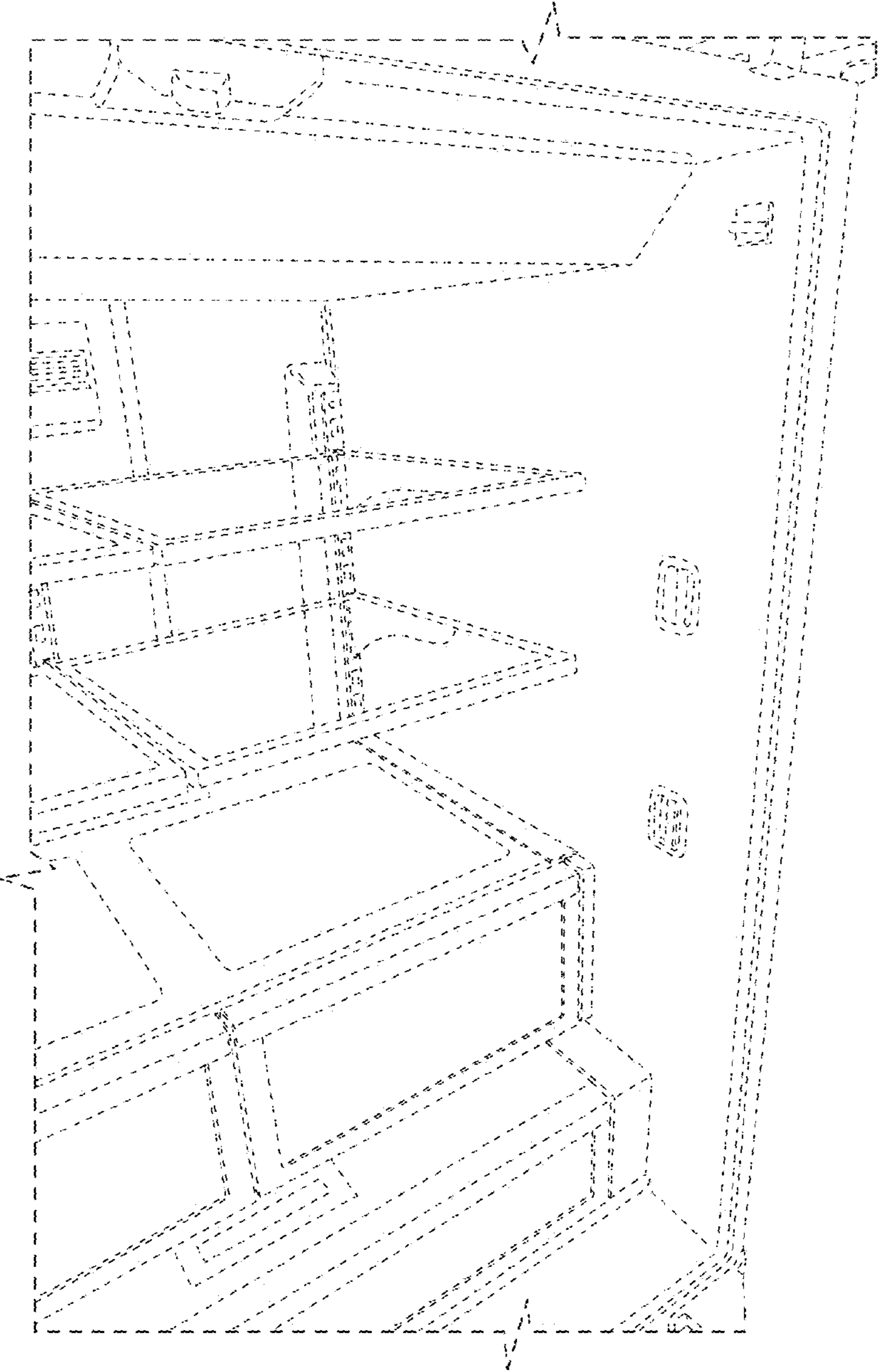


FIG. 8

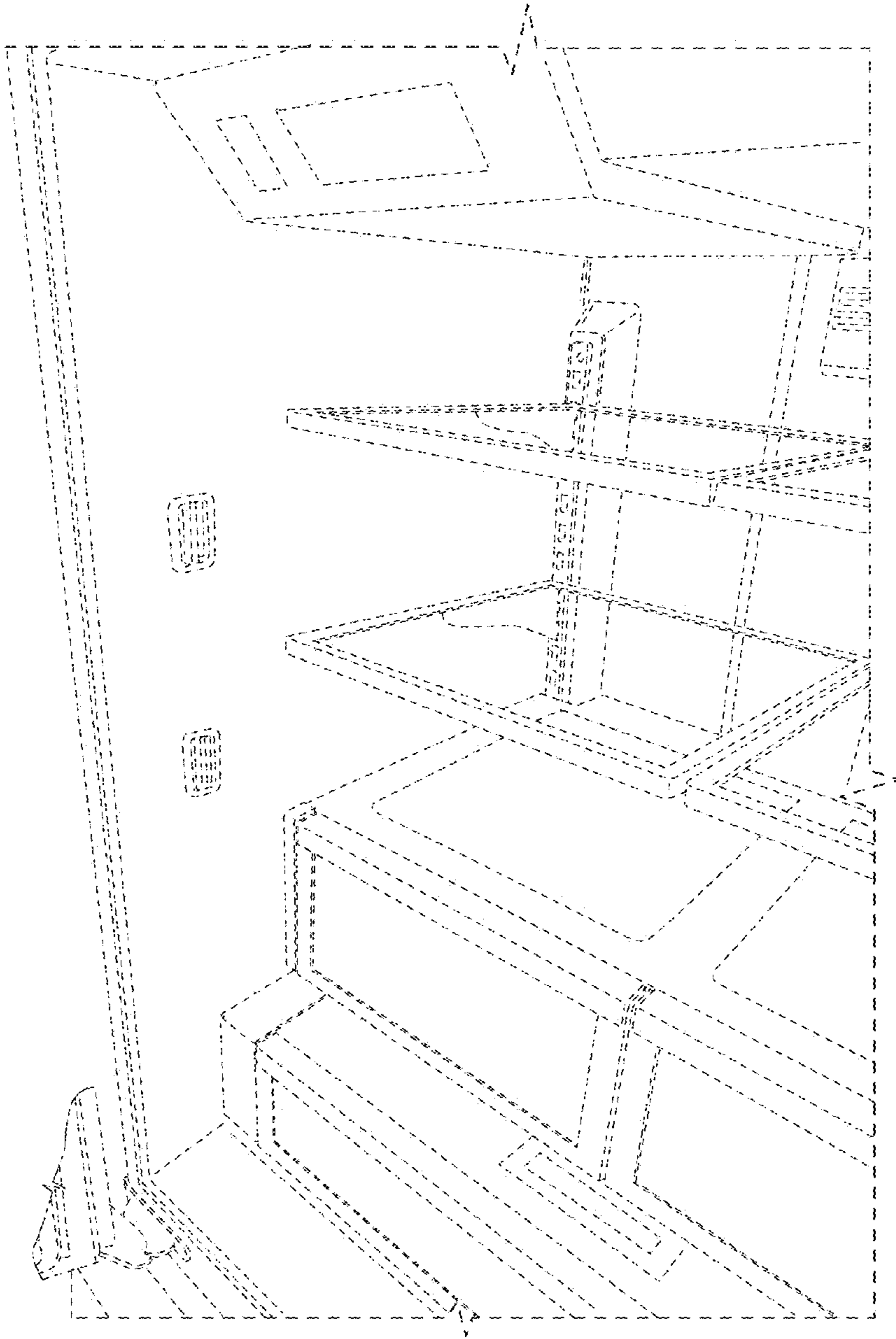


FIG. 9

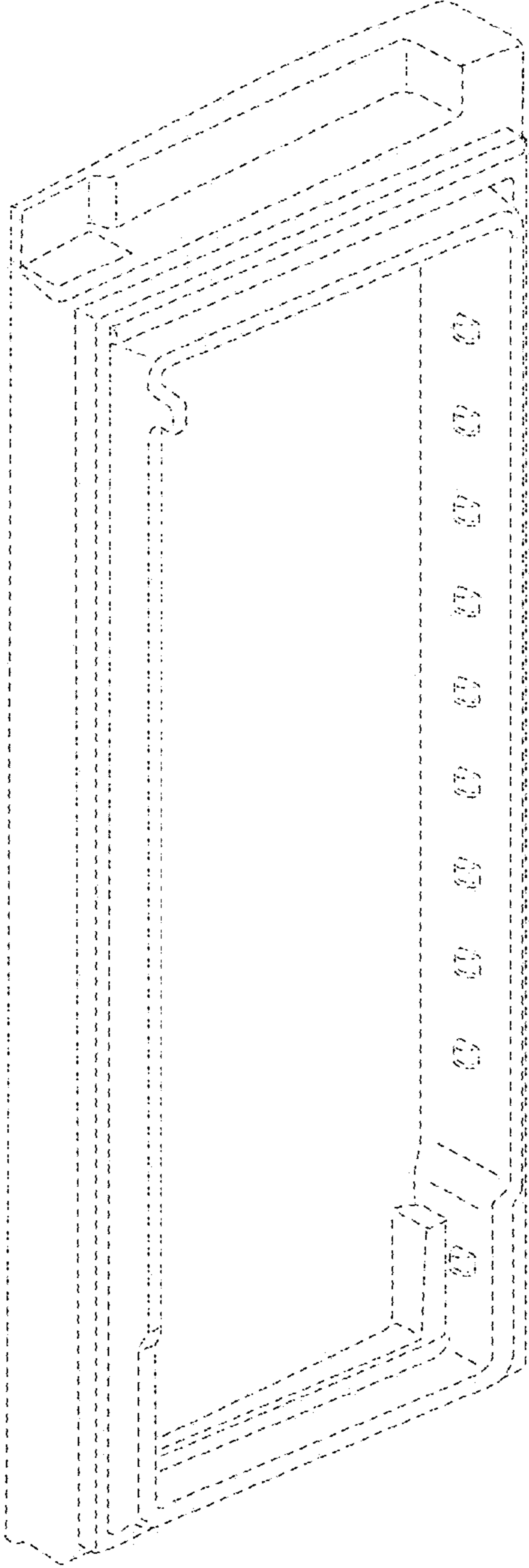


FIG. 10

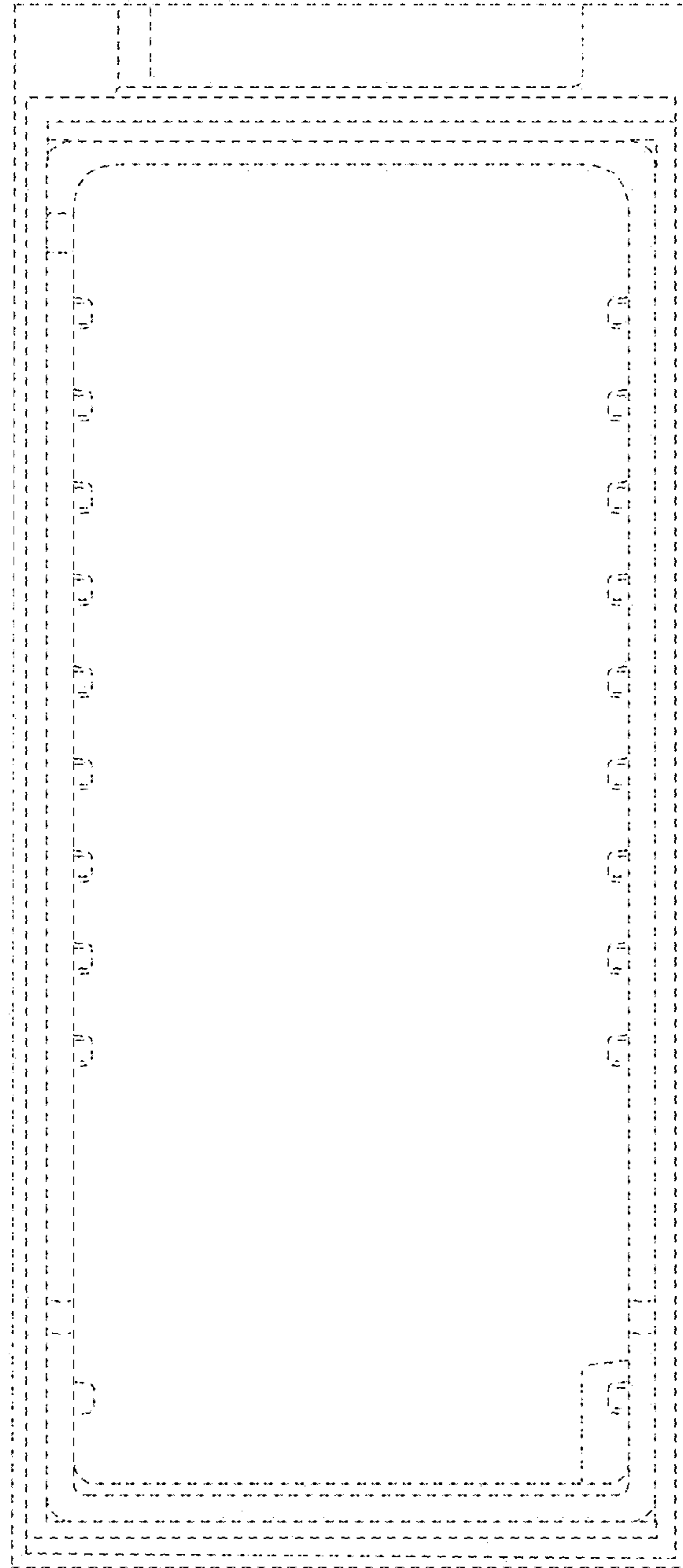


FIG. 11

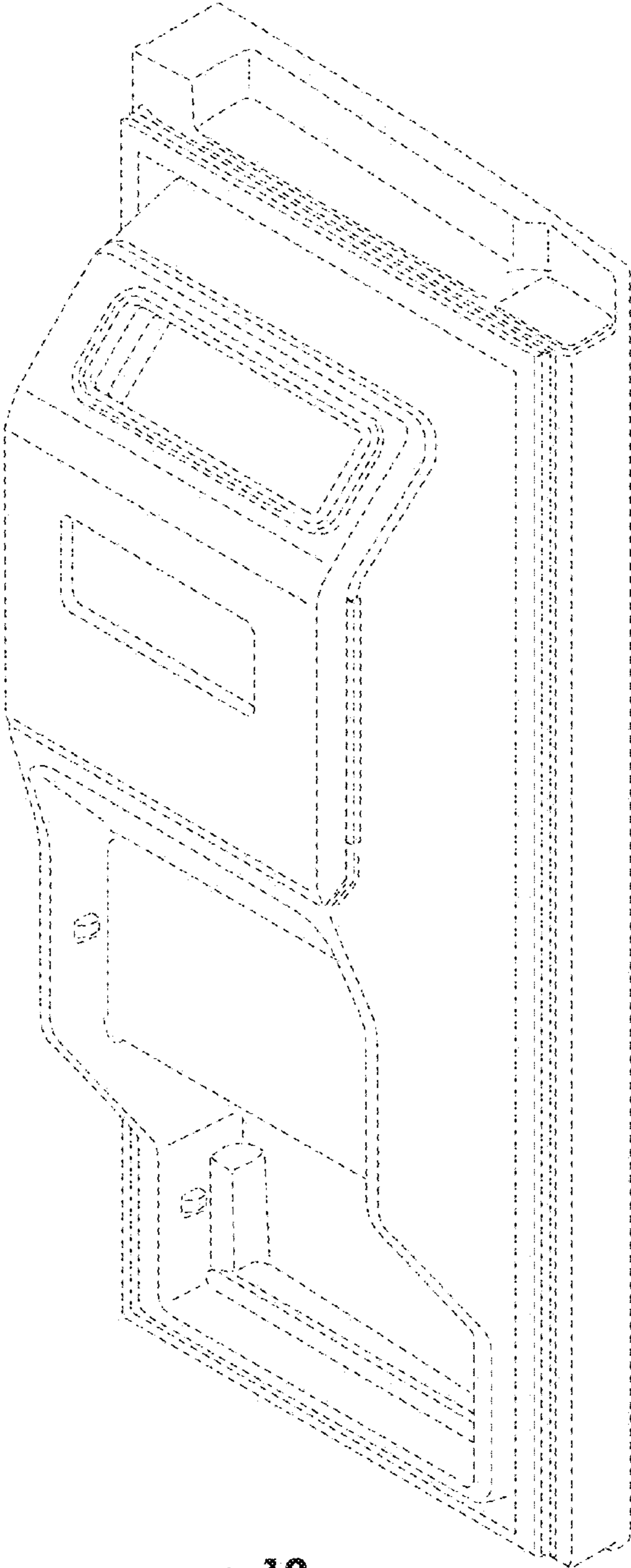


FIG. 12

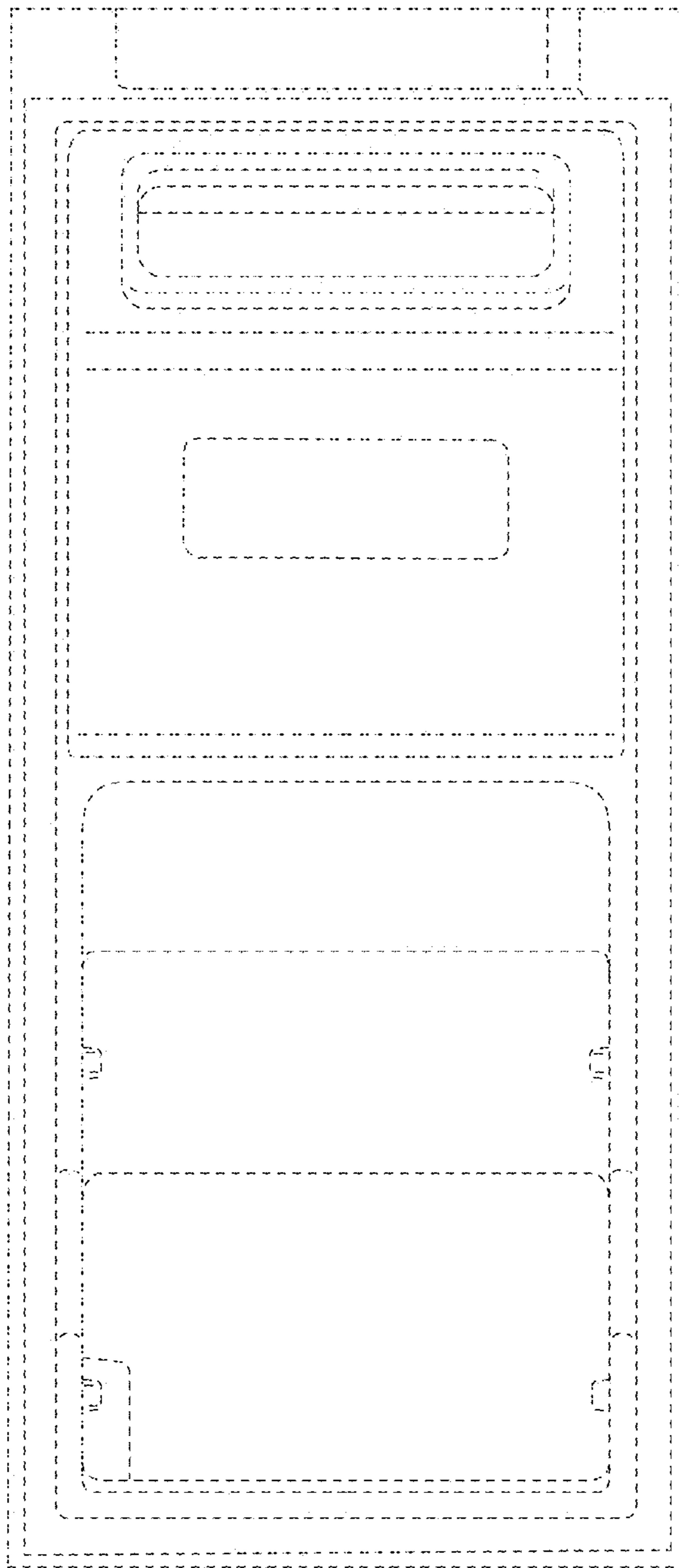


FIG. 13

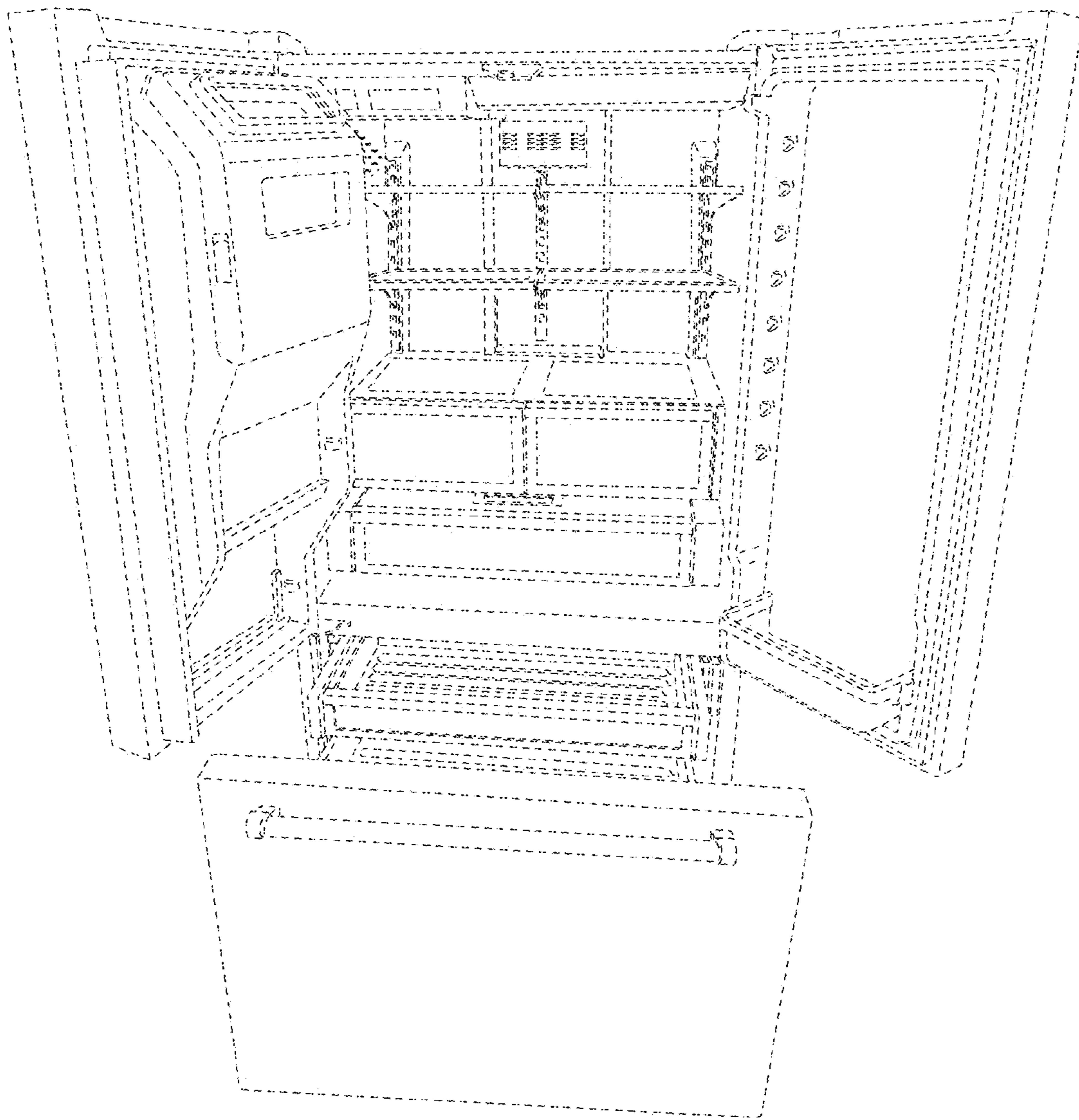


FIG. 14

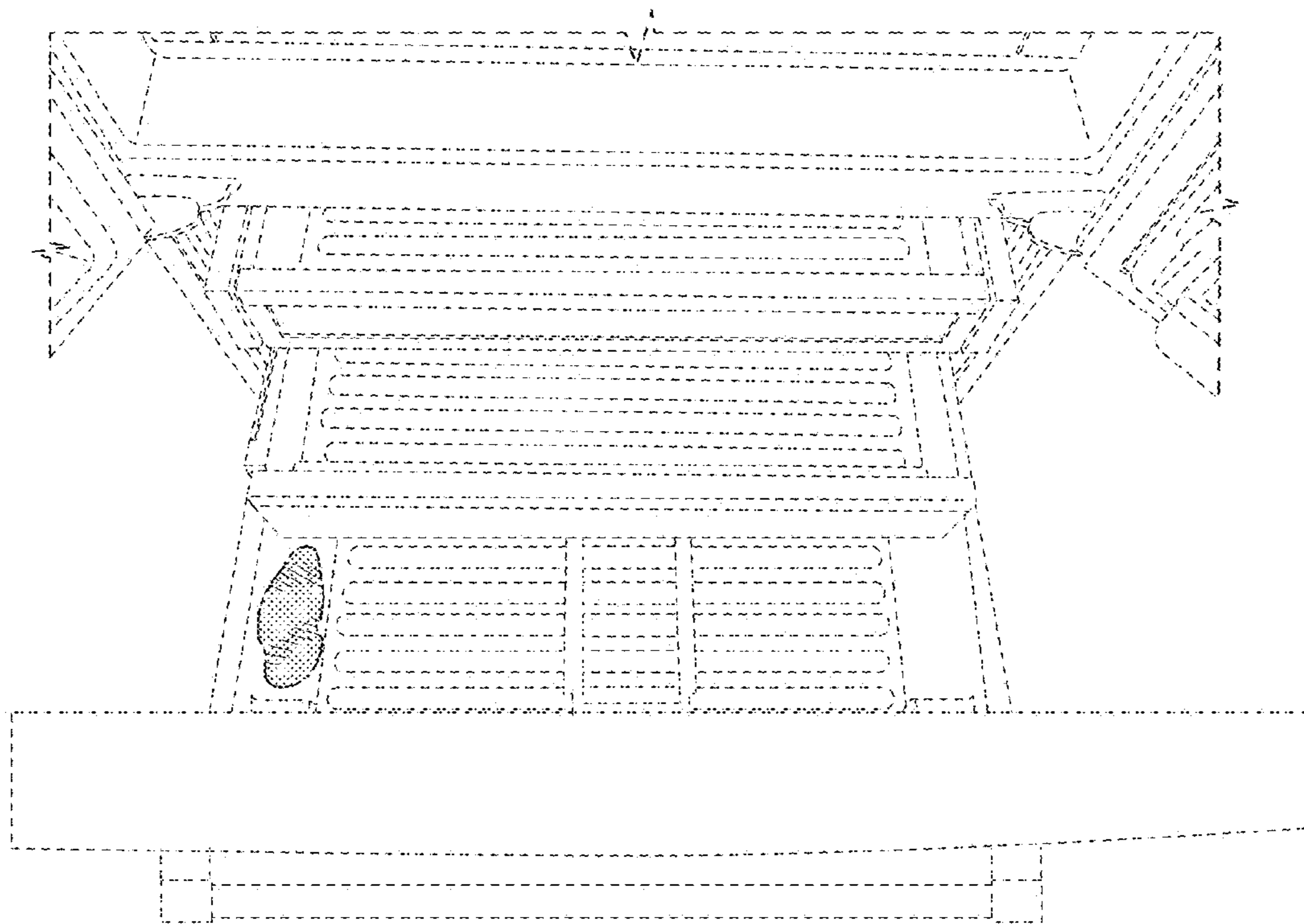


FIG. 15

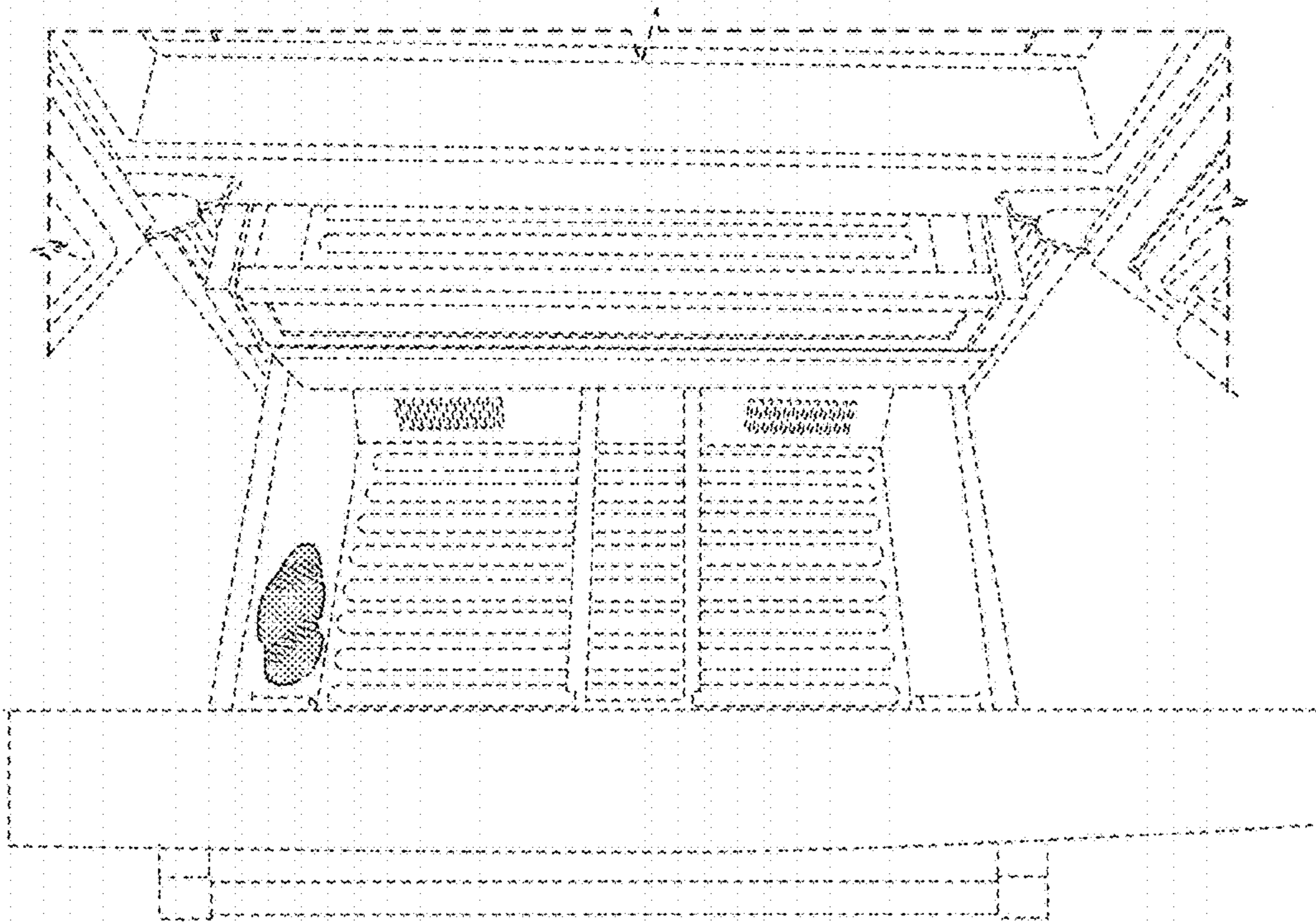


FIG. 16

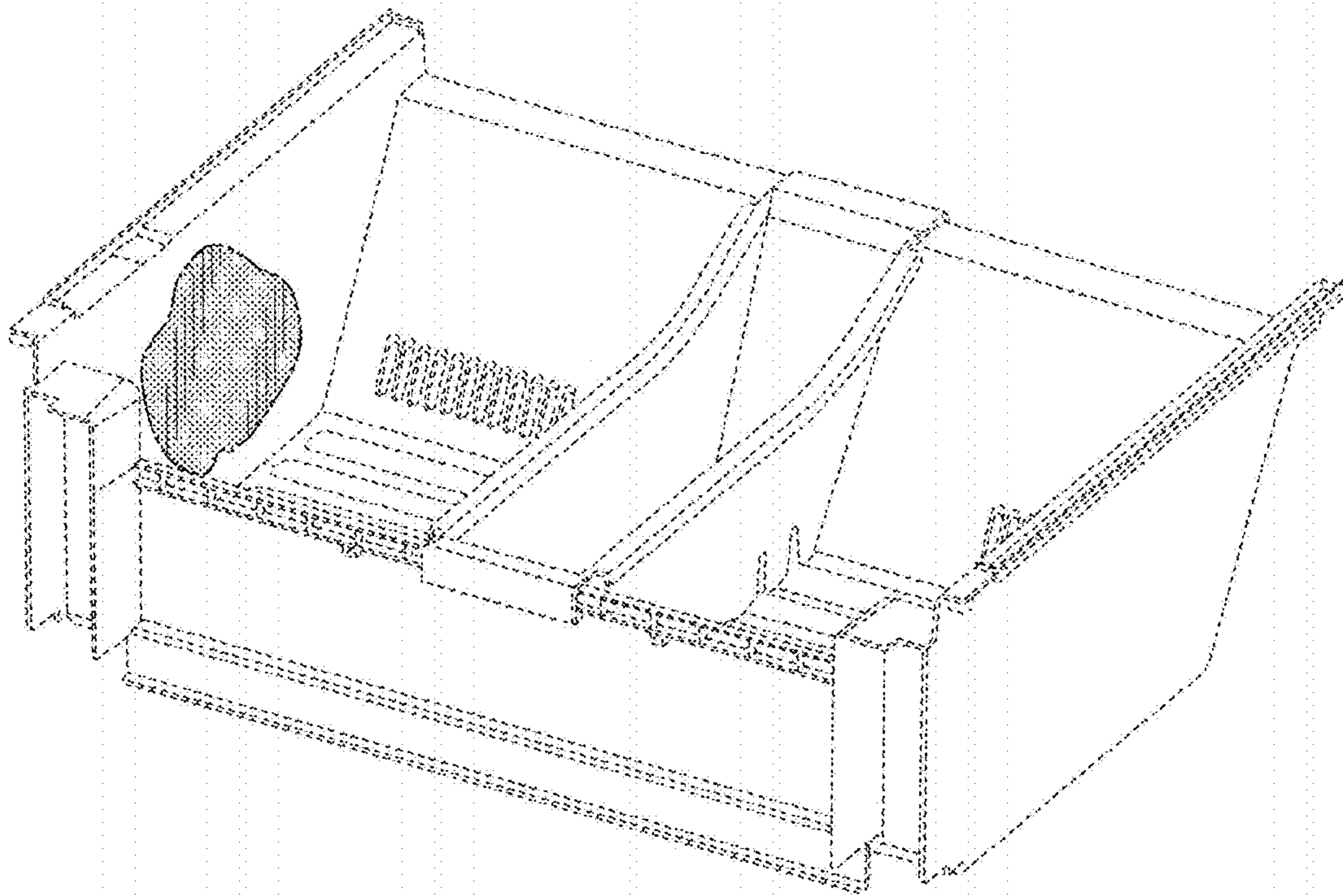


FIG. 17