



US00D742940S

(12) **United States Design Patent**
Kushita et al.

(10) **Patent No.:** **US D742,940 S**
(45) **Date of Patent:** **** Nov. 10, 2015**

(54) **CABIN FOR WORK MACHINE**
(71) Applicant: **Kubota Corporation**, Osaka-shi (JP)
(72) Inventors: **Yoshihiro Kushita**, Sakai (JP); **Masaaki Ueda**, Sakai (JP); **Kenichi Saiki**, Sakai (JP)
(73) Assignee: **Kubota Corporation**, Osaka (JP)

D494,986 S * 8/2004 Tokach et al. D15/30
D523,029 S * 6/2006 Crawford et al. D15/30
D523,875 S * 6/2006 Kim D15/30
D538,305 S * 3/2007 Smith et al. D15/30
D548,753 S * 8/2007 Kim D15/30
D555,677 S * 11/2007 Kuwae et al. D15/30
D577,040 S * 9/2008 Kim D15/30
D594,037 S * 6/2009 Uemura D15/30
D607,904 S * 1/2010 Reisenauer et al. D15/30
D607,905 S * 1/2010 Reisenauer et al. D15/30

(**) Term: **14 Years**

(21) Appl. No.: **29/498,001**

(22) Filed: **Jul. 30, 2014**

(30) **Foreign Application Priority Data**

Feb. 21, 2014 (JP) 2014-003565

(51) **LOC (10) Cl.** **15-03**

(52) **U.S. Cl.**
USPC **D15/30**

(58) **Field of Classification Search**
USPC D15/10, 15, 22-26, 28, 30, 33; D12/96;
D34/37; 180/89.1, 900, 89.12, 311,
180/89.13; 296/190, 204, 190.01, 190.03,
296/181.1; 414/680, 685, 687, 688, 694
CPC B62D 23/005; B62D 33/06; B62D 33/044;
B62D 33/00; B62D 33/04
See application file for complete search history.

(56) **References Cited**

U.S. PATENT DOCUMENTS

D432,144 S * 10/2000 Kraft et al. D15/30
D432,145 S * 10/2000 Kraft et al. D15/30
D433,689 S * 11/2000 Kraft et al. D15/30
D436,605 S * 1/2001 Shaw et al. D15/30
D481,044 S * 10/2003 Tokach et al. D15/30

FOREIGN PATENT DOCUMENTS

JP 1332921 S 6/2008
JP 1386028 S 4/2010

* cited by examiner

Primary Examiner — Mark Goodwin

(74) *Attorney, Agent, or Firm* — The Webb Law Firm

(57) **CLAIM**

The ornamental design for a cabin for work machine, as shown and described.

DESCRIPTION

FIG. 1 is a front view of a cabin for work machine, showing our new design;
FIG. 2 is a rear view thereof;
FIG. 3 is a left side view thereof;
FIG. 4 is a right side view thereof;
FIG. 5 is a top view thereof;
FIG. 6 is a bottom view thereof;
FIG. 7 is an upper right front perspective view thereof;
FIG. 8 is an upper left rear perspective view thereof; and,
FIG. 9 is a front view thereof assembled on a work machine. The broken lines in FIG. 9 are included for the purpose of illustrating environment only and form no part of the claimed design.

1 Claim, 9 Drawing Sheets

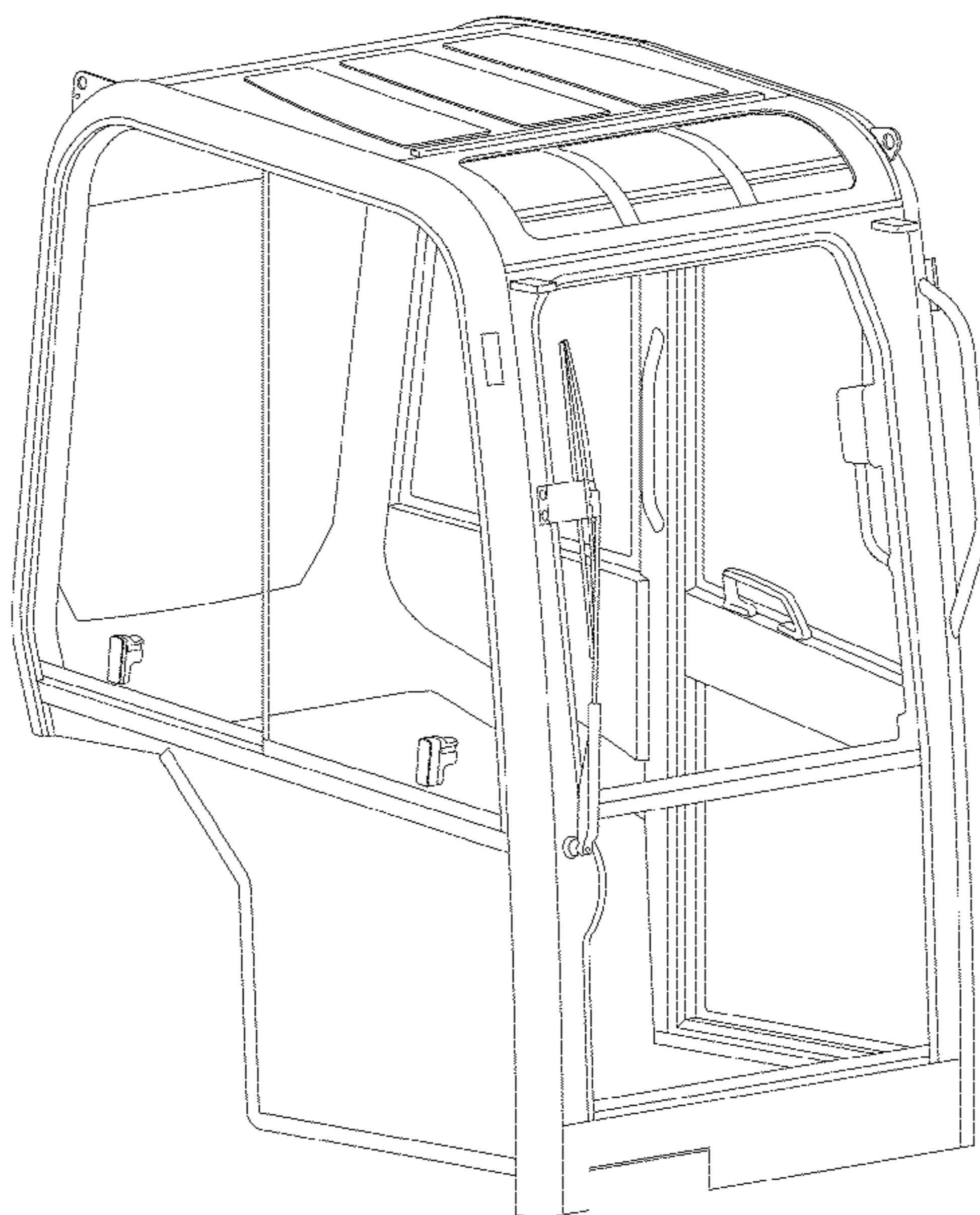


Fig. 1

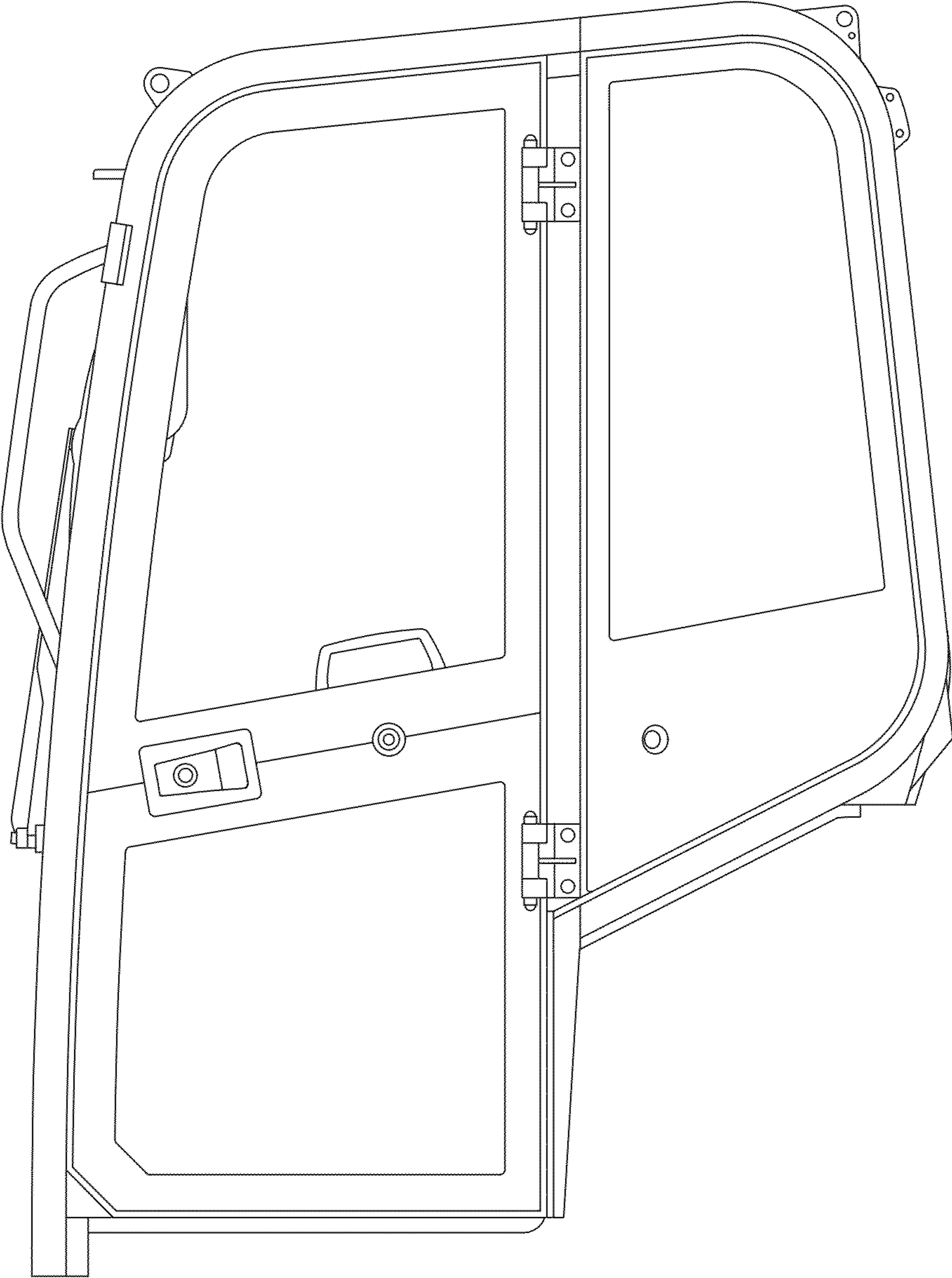


Fig. 2

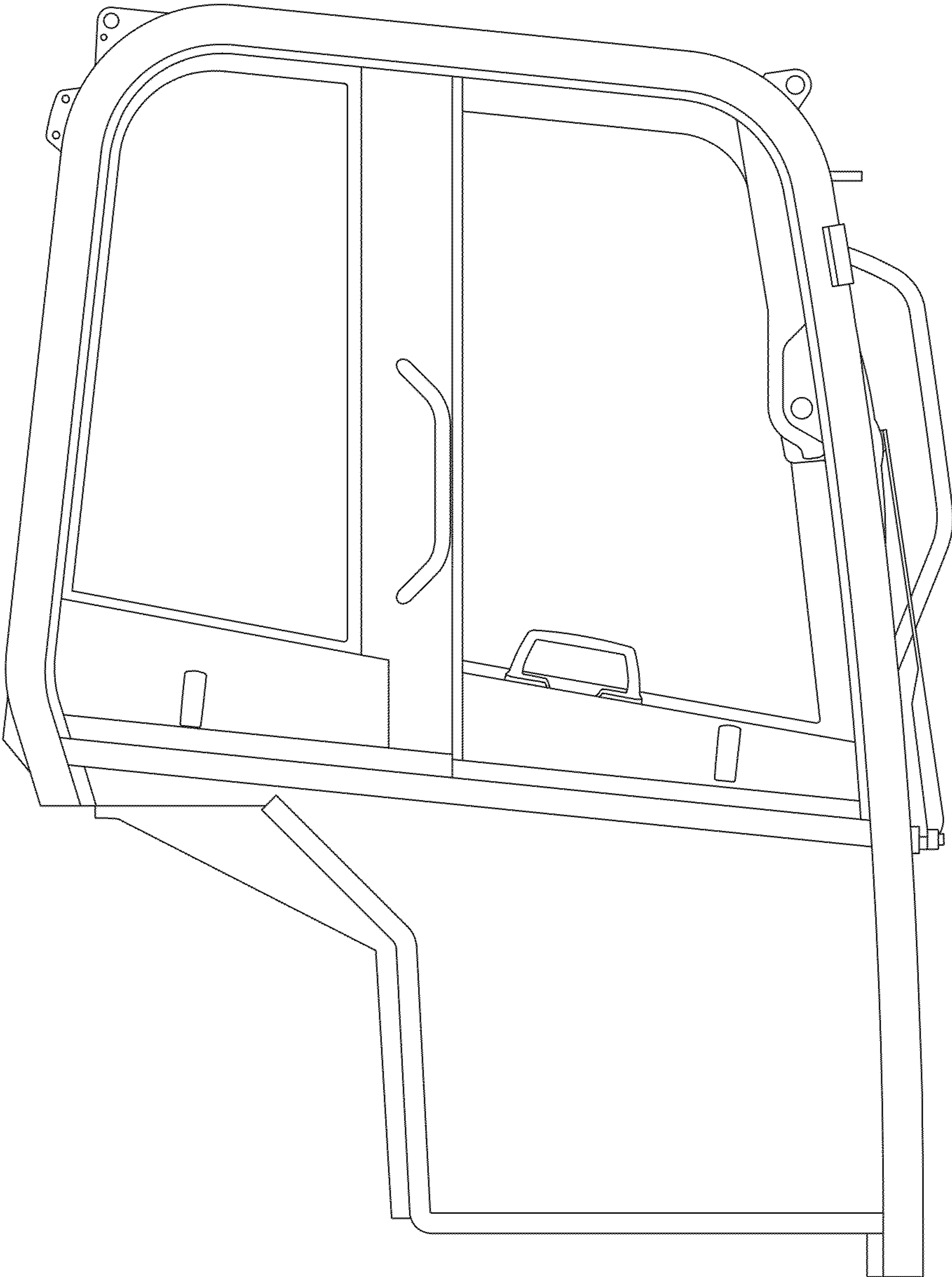


Fig. 3

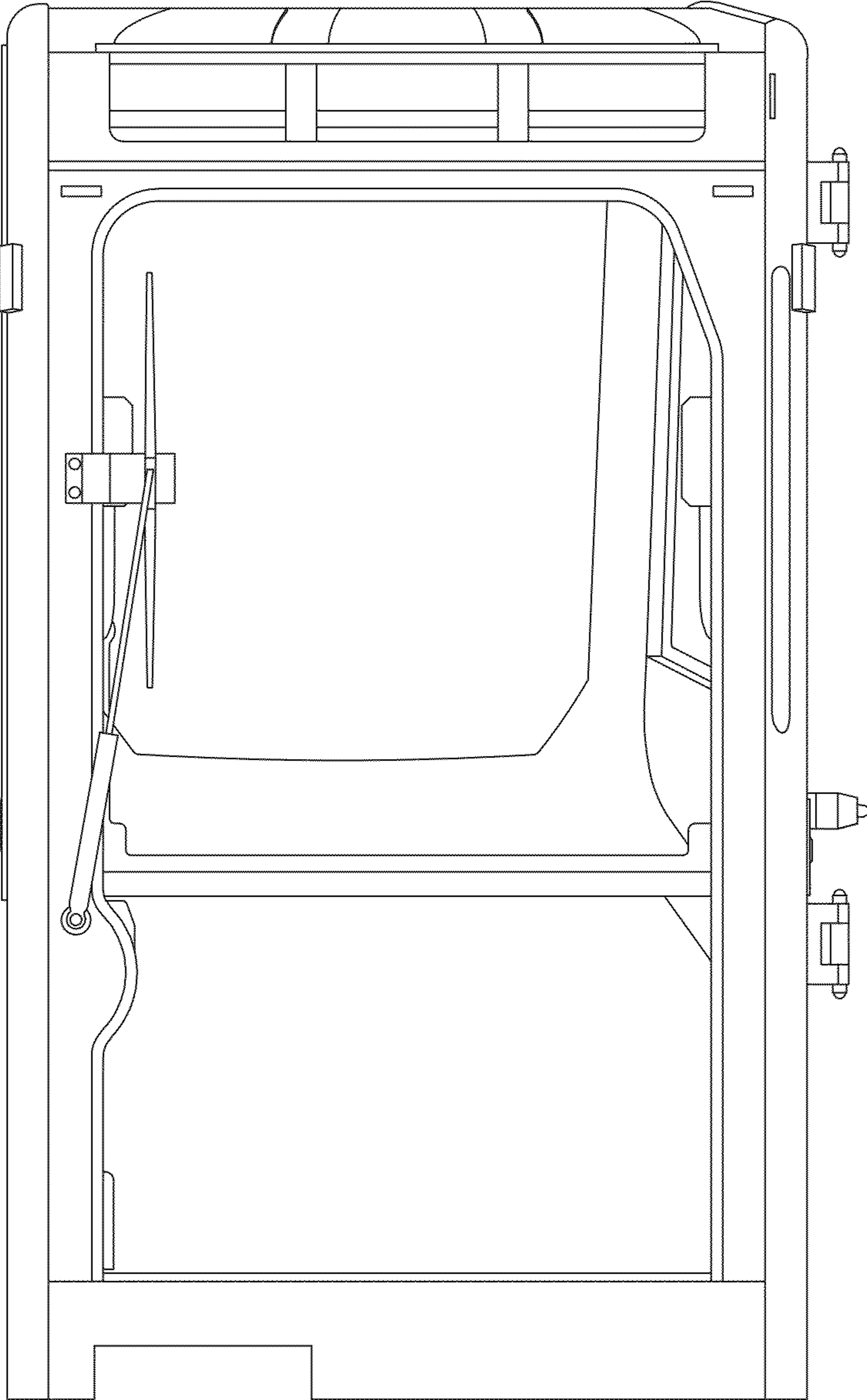


Fig. 4

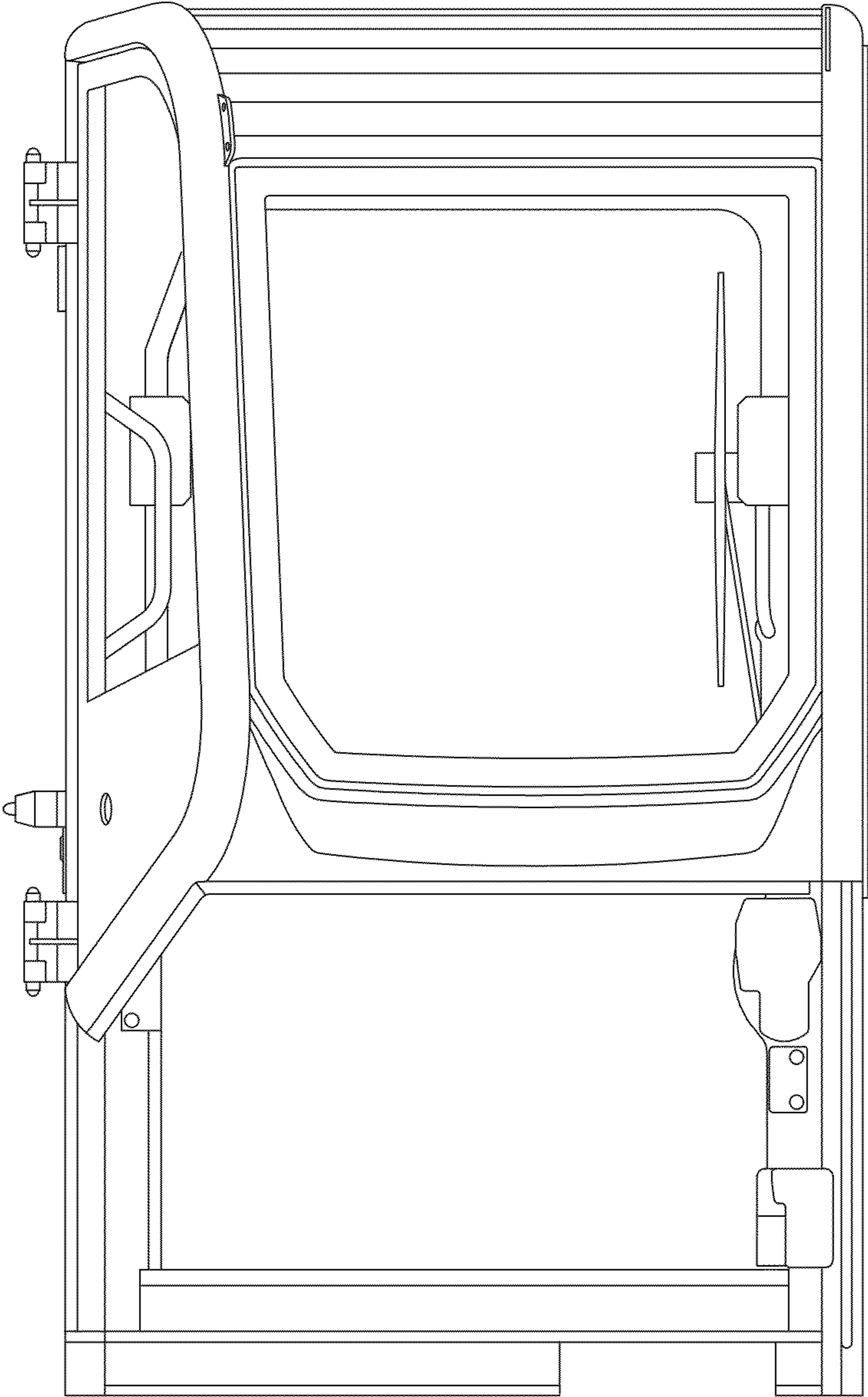


Fig. 5

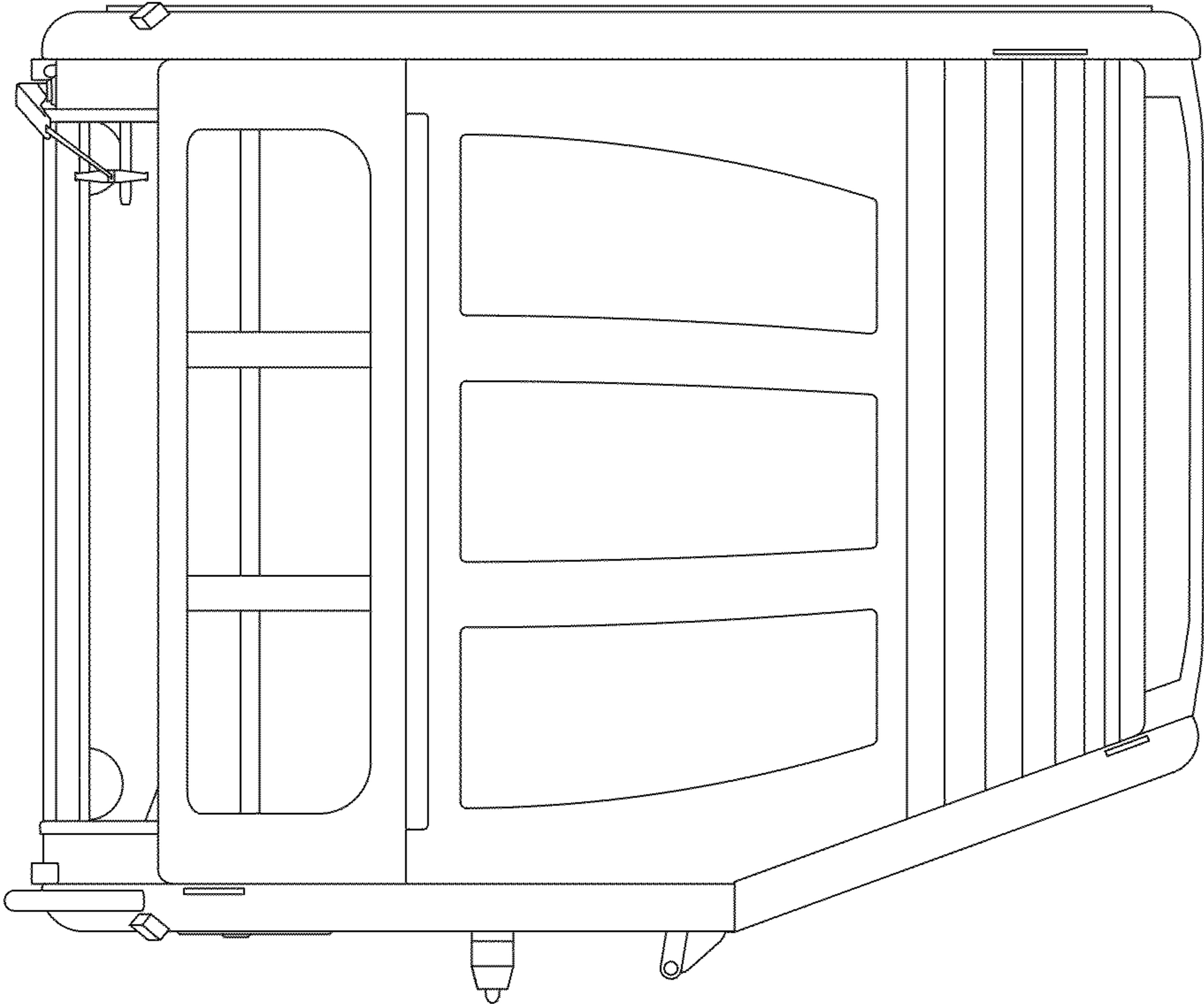


Fig. 6

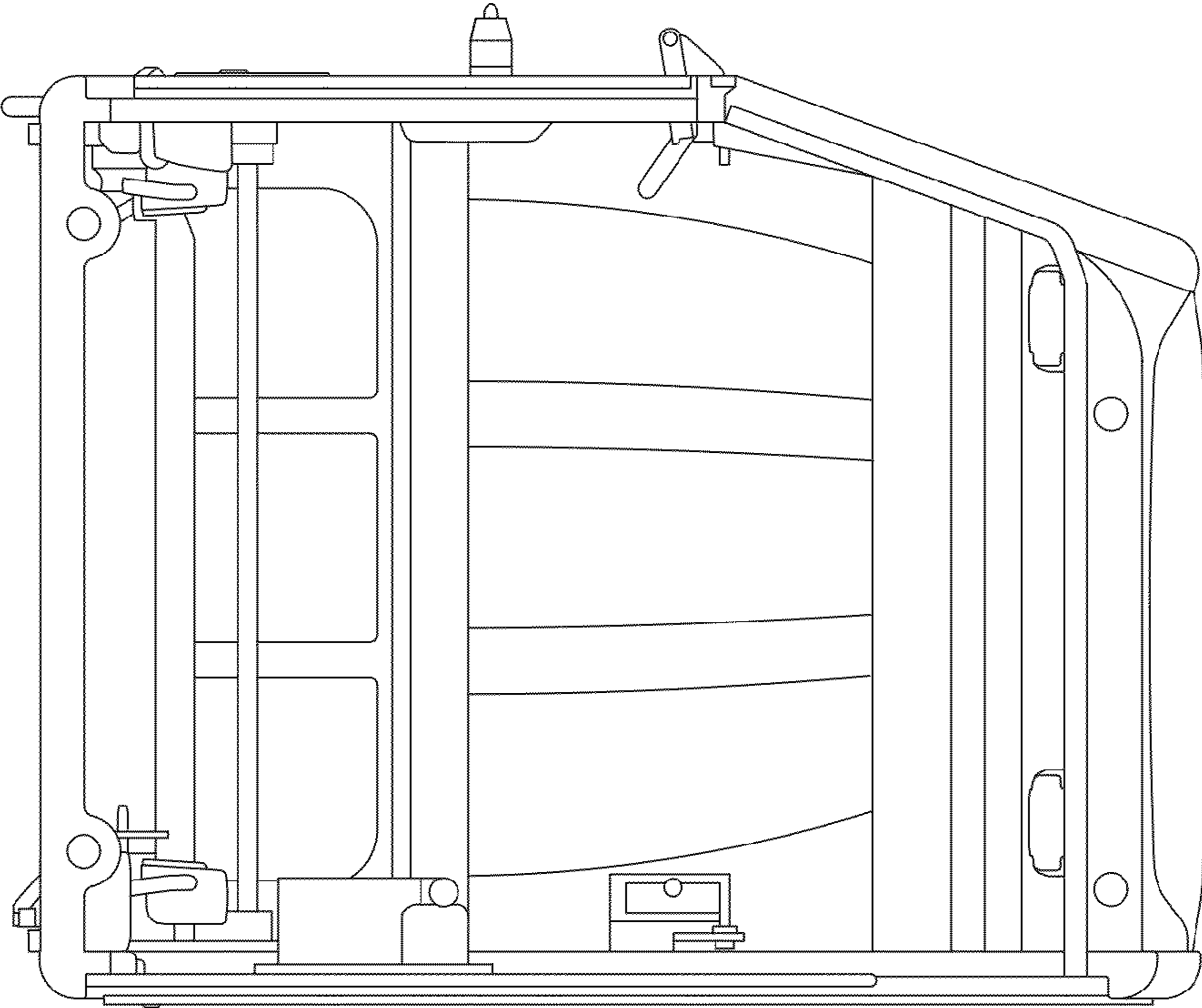


Fig. 7

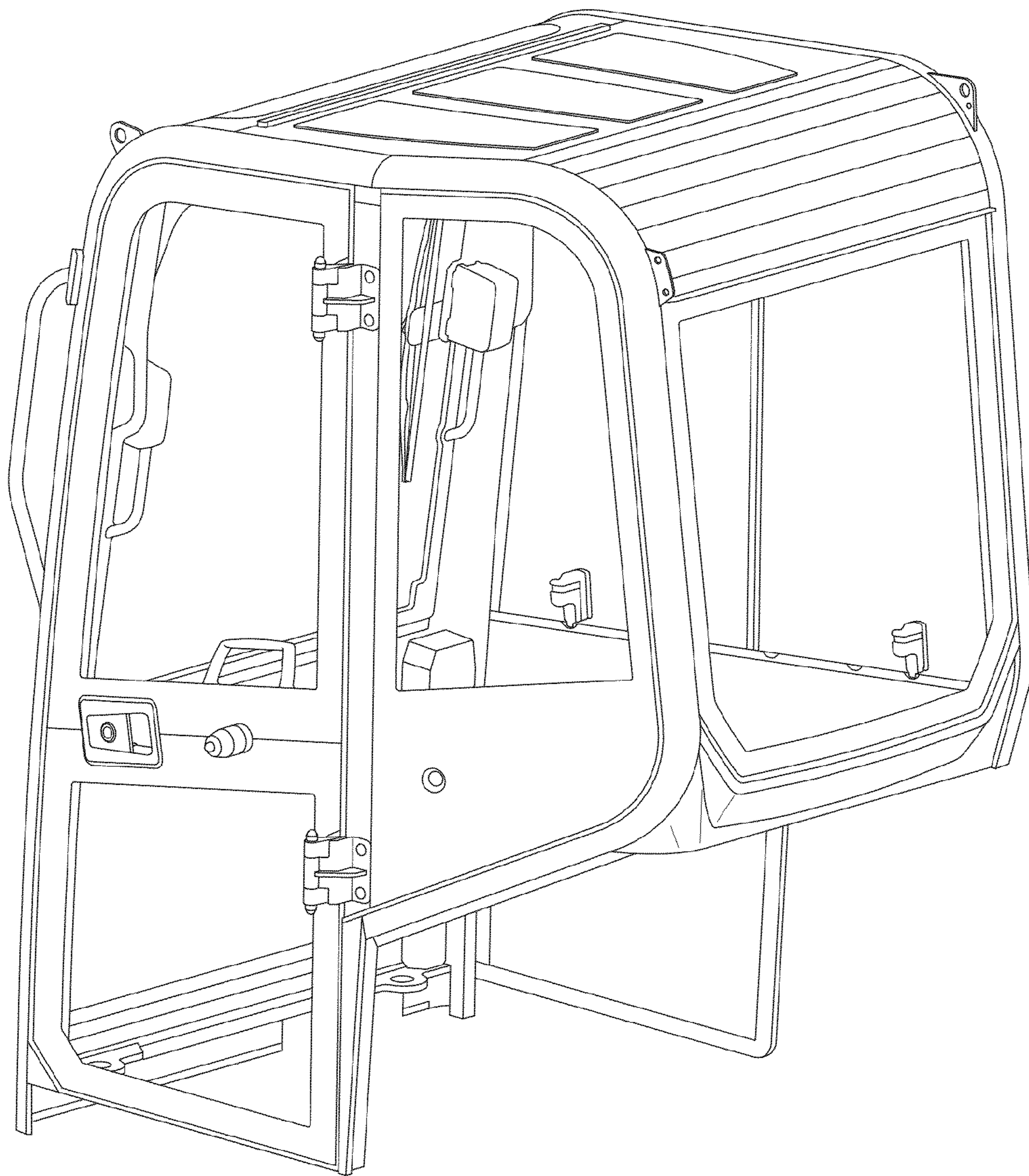


Fig. 8

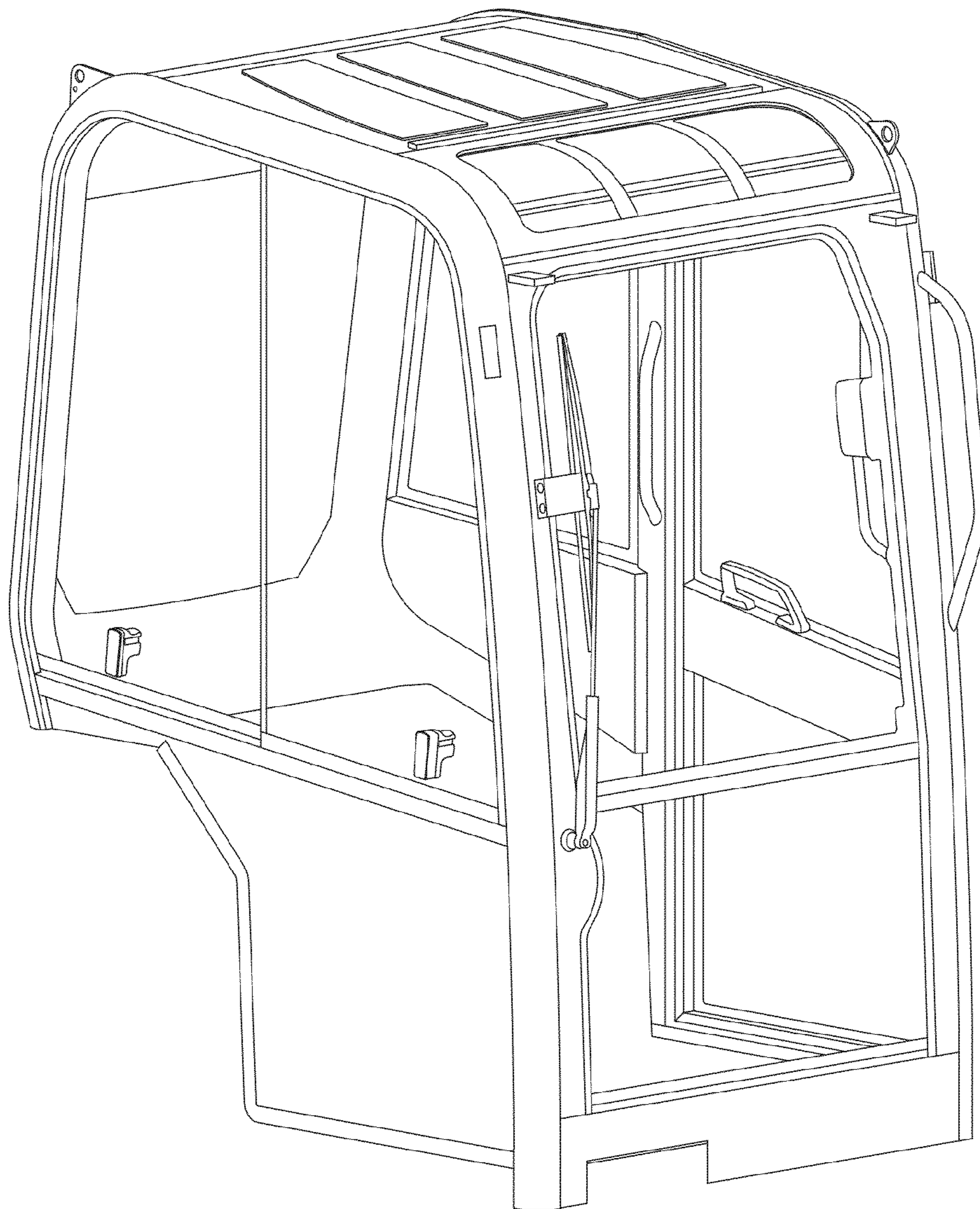


Fig. 9

