



US00D742938S

(12) **United States Design Patent**
Benoit et al.

(10) **Patent No.:** **US D742,938 S**

(45) **Date of Patent:** **** Nov. 10, 2015**

(54) **TIRE PROTECTION MOUNT**

(71) Applicant: **Shoup Manufacturing Co., Inc.**,
Kankakee, IL (US)

(72) Inventors: **Merle Benoit**, Kankakee, IL (US); **Eric Kirchner**, Kankakee, IL (US)

(73) Assignee: **Shoup Manufacturing Co., Inc.**,
Kankakee, IL (US)

(**) Term: **14 Years**

(21) Appl. No.: **29/437,015**

(22) Filed: **Nov. 12, 2012**

(51) **LOC (10) Cl.** **15-03**

(52) **U.S. Cl.**
USPC **D15/28**

(58) **Field of Classification Search**
USPC D15/28, 10-27, 29-33; 296/193.03;
280/727, 160, 855; 56/52, 119, 17.4,
56/15.9, 13.3, 13.6, DIG. 3, 314, 303, 1,
56/17.1; 180/69, 59.1, 89.12; 172/833,
172/762; 29/891; 403/318, 319
CPC .. B60B 7/01; B60B 7/0073; B60B 2900/212;
B60B 2900/572; B60B 7/02; B60B 7/06;
B60C 13/002; B60C 11/01; B60C 27/06;
B60R 19/54; B60R 19/00; A01D 75/187;
A01D 34/8355

See application file for complete search history.

(56) **References Cited**

U.S. PATENT DOCUMENTS

D484,894 S *	1/2004	McCord et al.	D15/28
D508,700 S *	8/2005	Sakai et al.	D15/11
D587,285 S *	2/2009	Murakami et al.	D15/28
D591,774 S *	5/2009	Kokitkar et al.	D15/28

(Continued)

Primary Examiner — Cynthia Ramirez

Assistant Examiner — Gino Colan

(74) *Attorney, Agent, or Firm* — Vedder Price PC

(57) **CLAIM**

The ornamental design for a tire protection mount, as shown and described.

DESCRIPTION

FIG. 1 is a rear perspective view of one embodiment of the tire protection mount;

FIG. 2 is a front perspective view of the tire protection mount of FIG. 1;

FIG. 3 is a rear view of the tire protection mount of FIG. 1;

FIG. 4 is a front view of the tire protection mount of FIG. 1;

FIG. 5 is a right side view of the tire protection mount of FIG. 1;

FIG. 6 is a left side view of the tire protection mount of FIG. 1;

FIG. 7 is a top view of the tire protection mount of FIG. 1;

FIG. 8 is a bottom view of the tire protection mount of FIG. 1;

FIG. 9 is a rear perspective view of a second embodiment of the tire protection mount;

FIG. 10 is a front perspective view of the tire protection mount of FIG. 9;

FIG. 11 is a rear view of the tire protection mount of FIG. 9;

FIG. 12 is a front view of the tire protection mount of FIG. 9;

FIG. 13 is a right side view of the tire protection mount of FIG. 9;

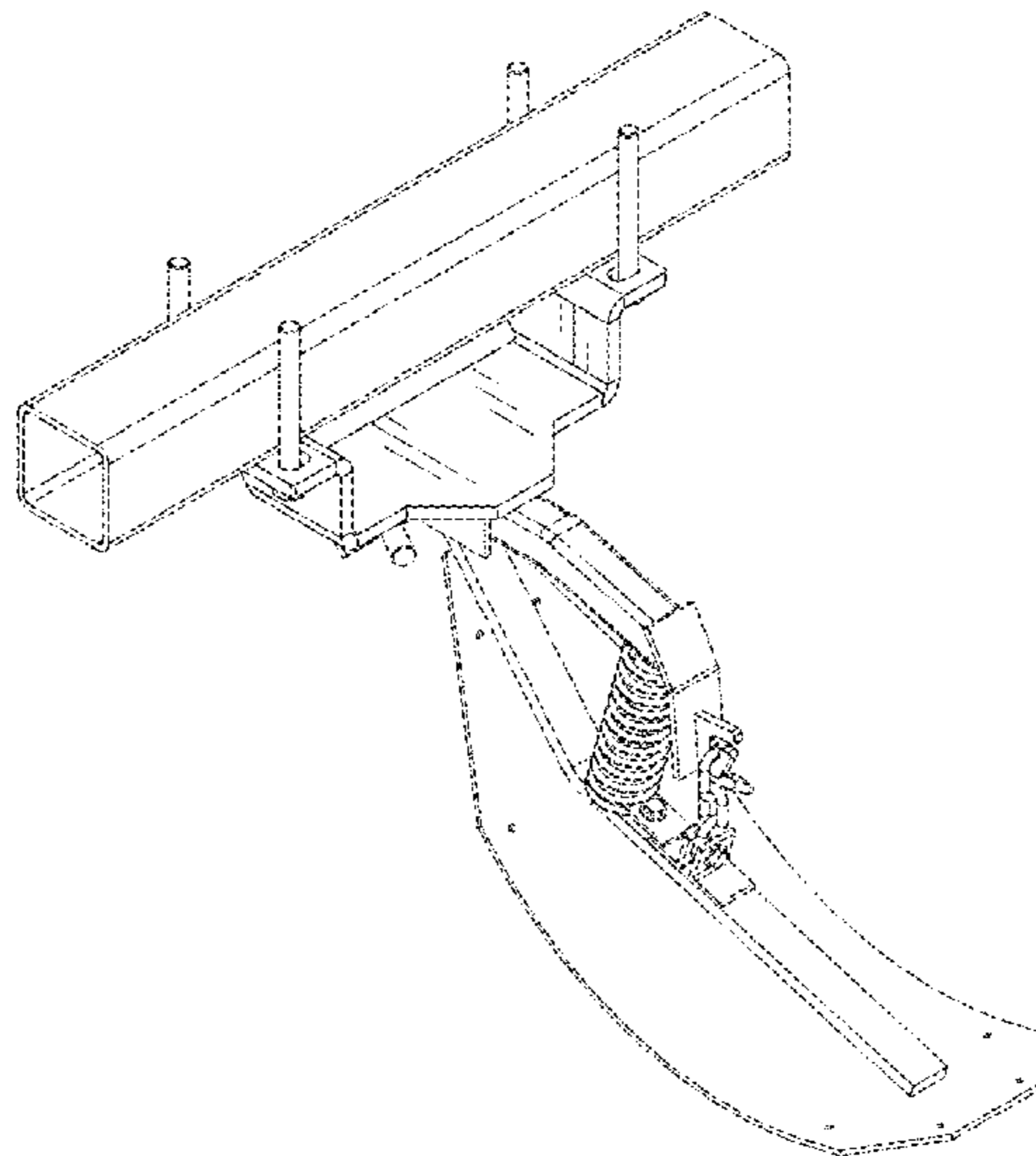
FIG. 14 is a left side view of the tire protection mount of FIG. 9;

FIG. 15 is a top view of the tire protection mount of FIG. 9; and,

FIG. 16 is a bottom view of the tire protection mount of FIG. 9.

The broken lines in the drawings are included for the purpose of illustrating portions of the tire protection mount and form no part of the claimed design.

1 Claim, 8 Drawing Sheets



US D742,938 S

Page 2

(56)

References Cited

U.S. PATENT DOCUMENTS

8,979,106 B2 *	3/2015	Benoit et al.	280/160
2013/0192857 A1 *	8/2013	Shoup	172/833
2014/0131973 A1 *	5/2014	Benoit et al.	280/160
D591,775 S *	5/2009	Kokitkar et al.	D15/28
8,567,167 B2 *	10/2013	Shoup	56/17.2
8,858,110 B2 *	10/2014	Shoup	403/318

* cited by examiner

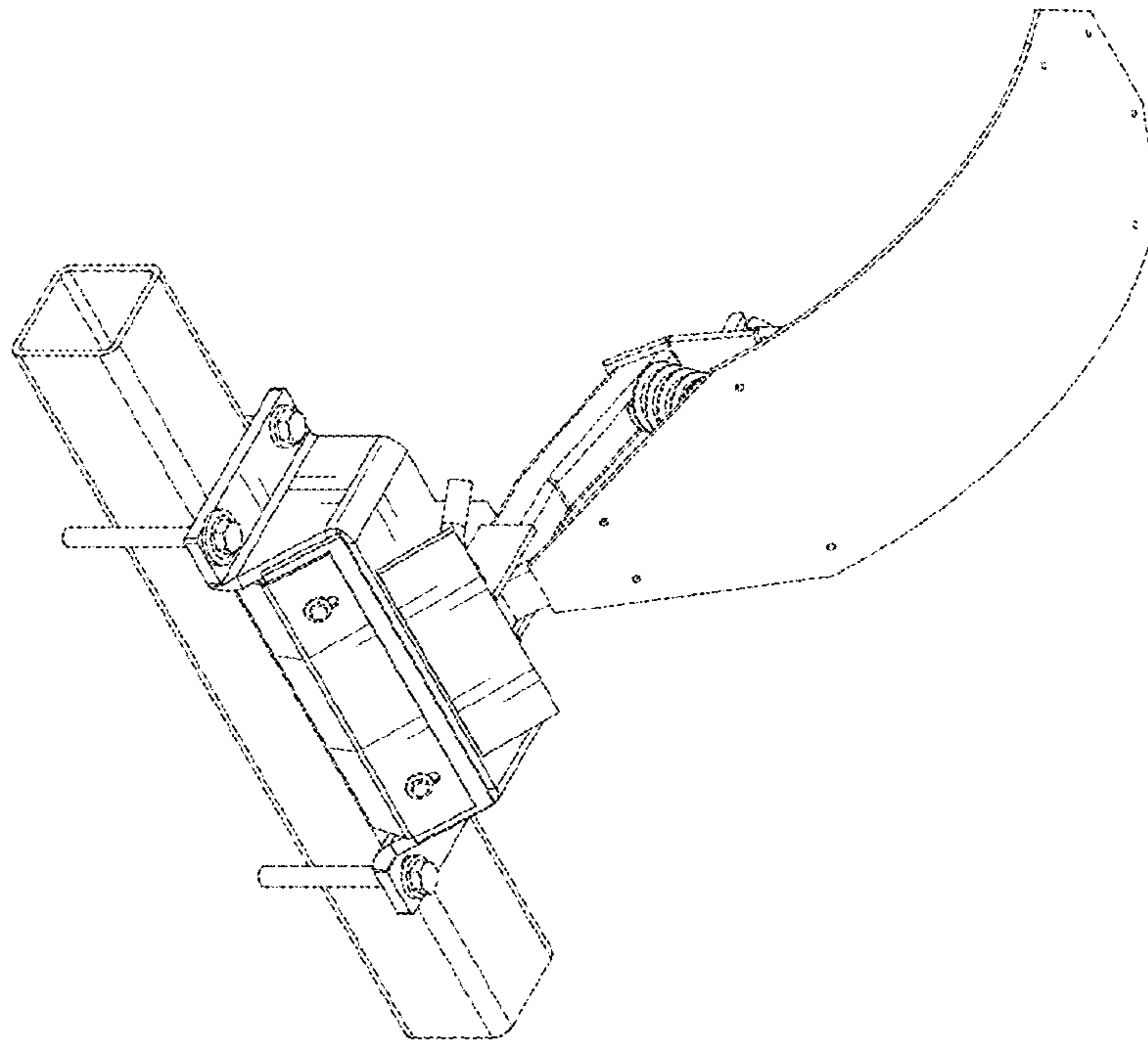


FIG. 2

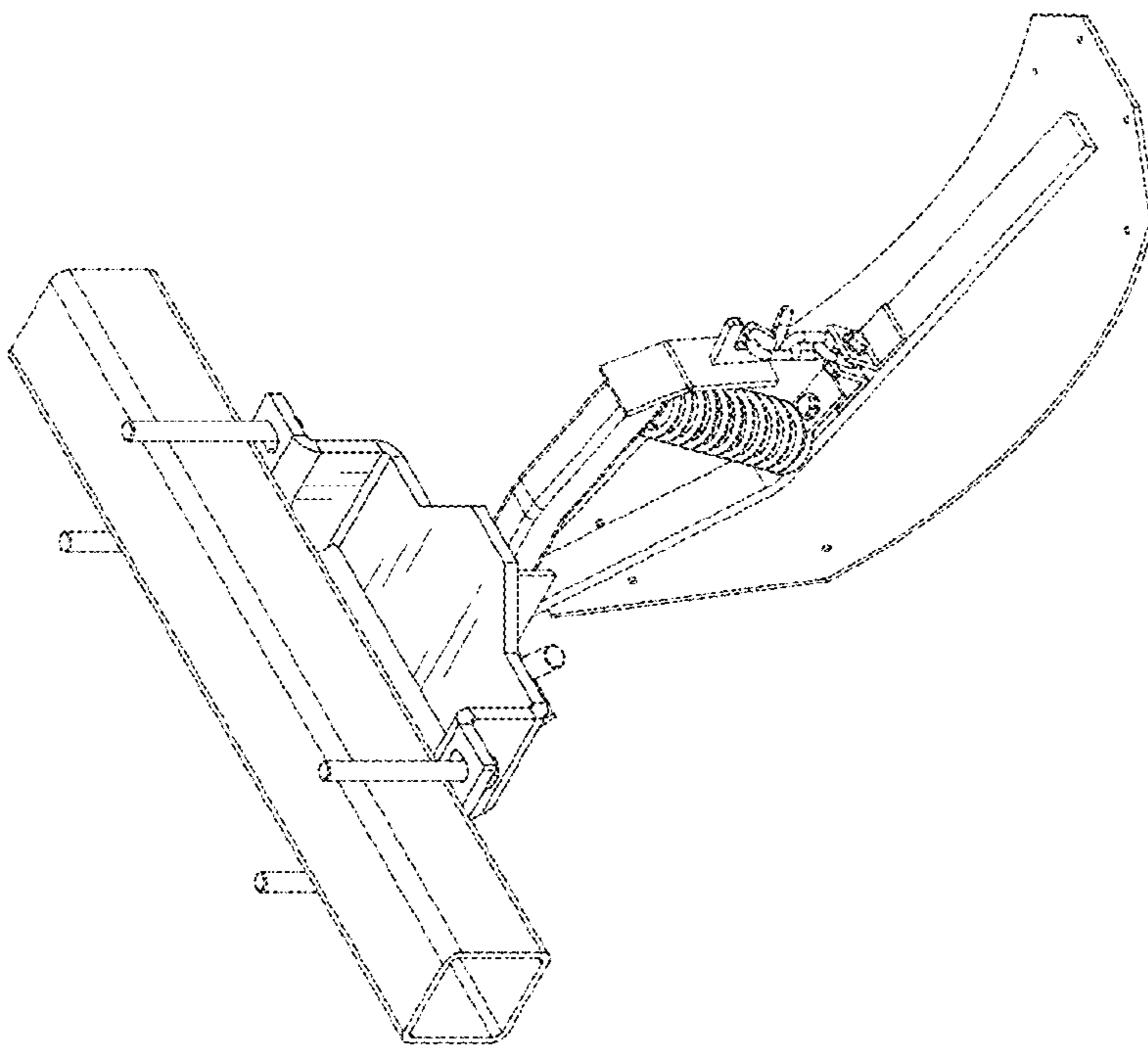


FIG. 1

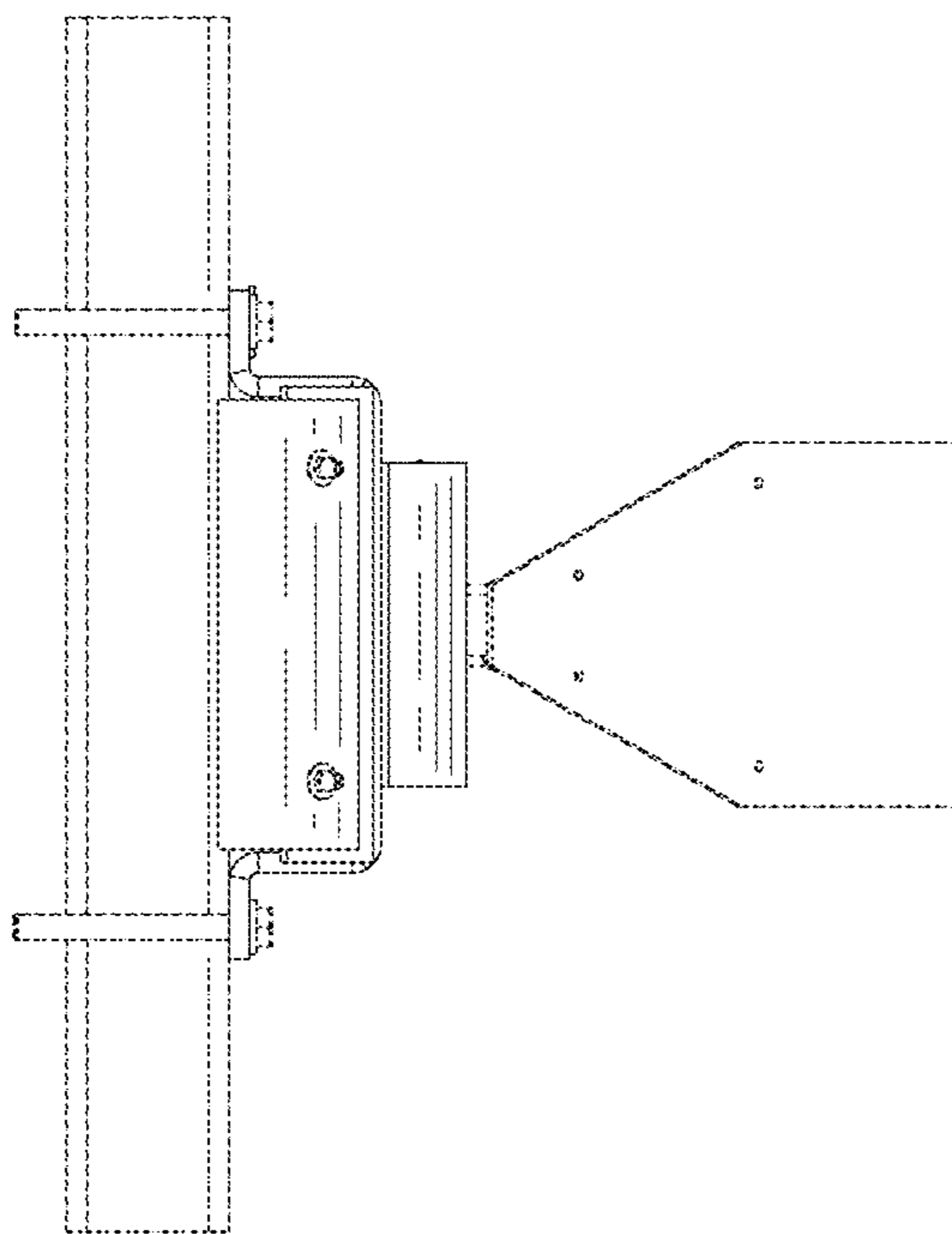


FIG. 4

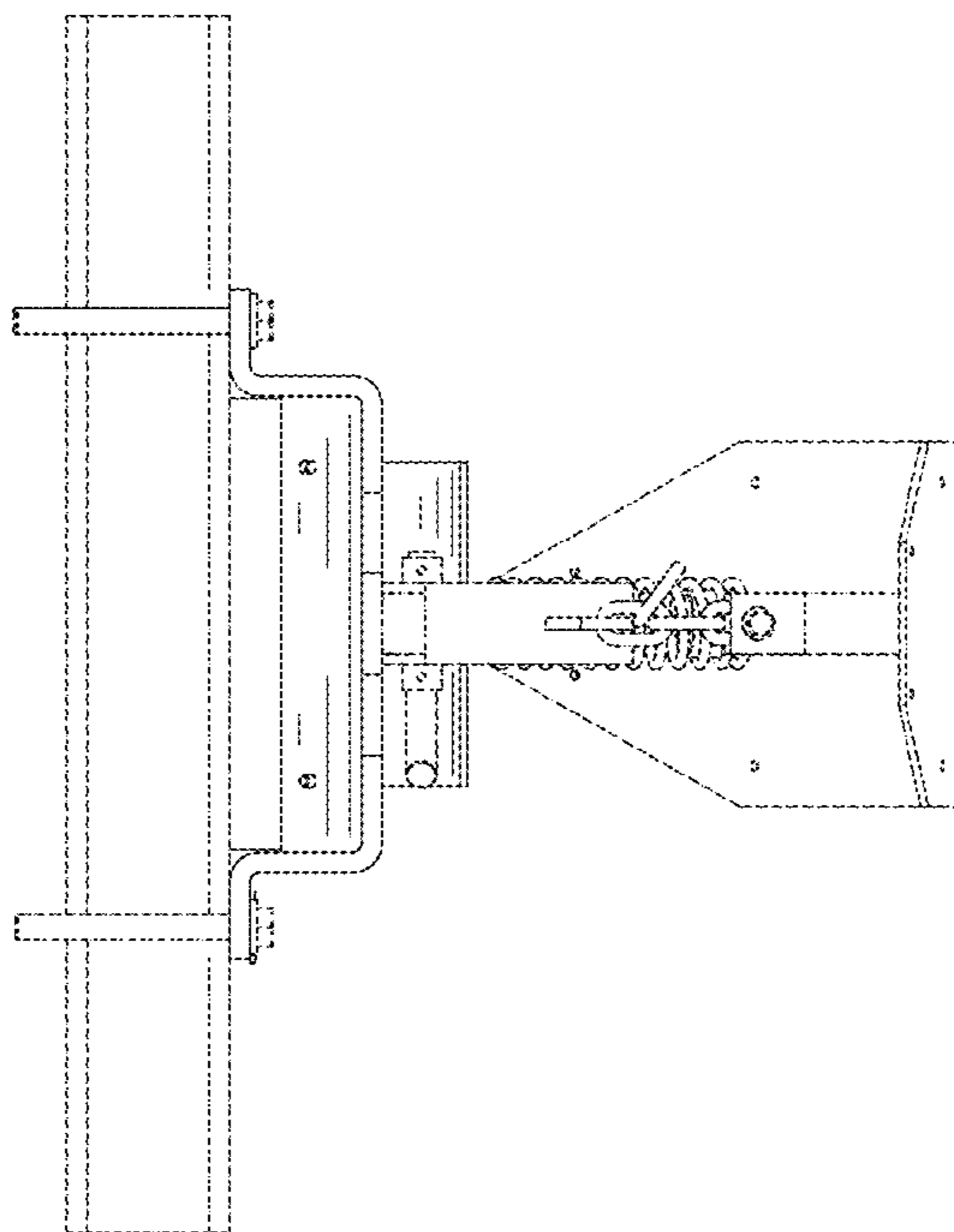


FIG. 3

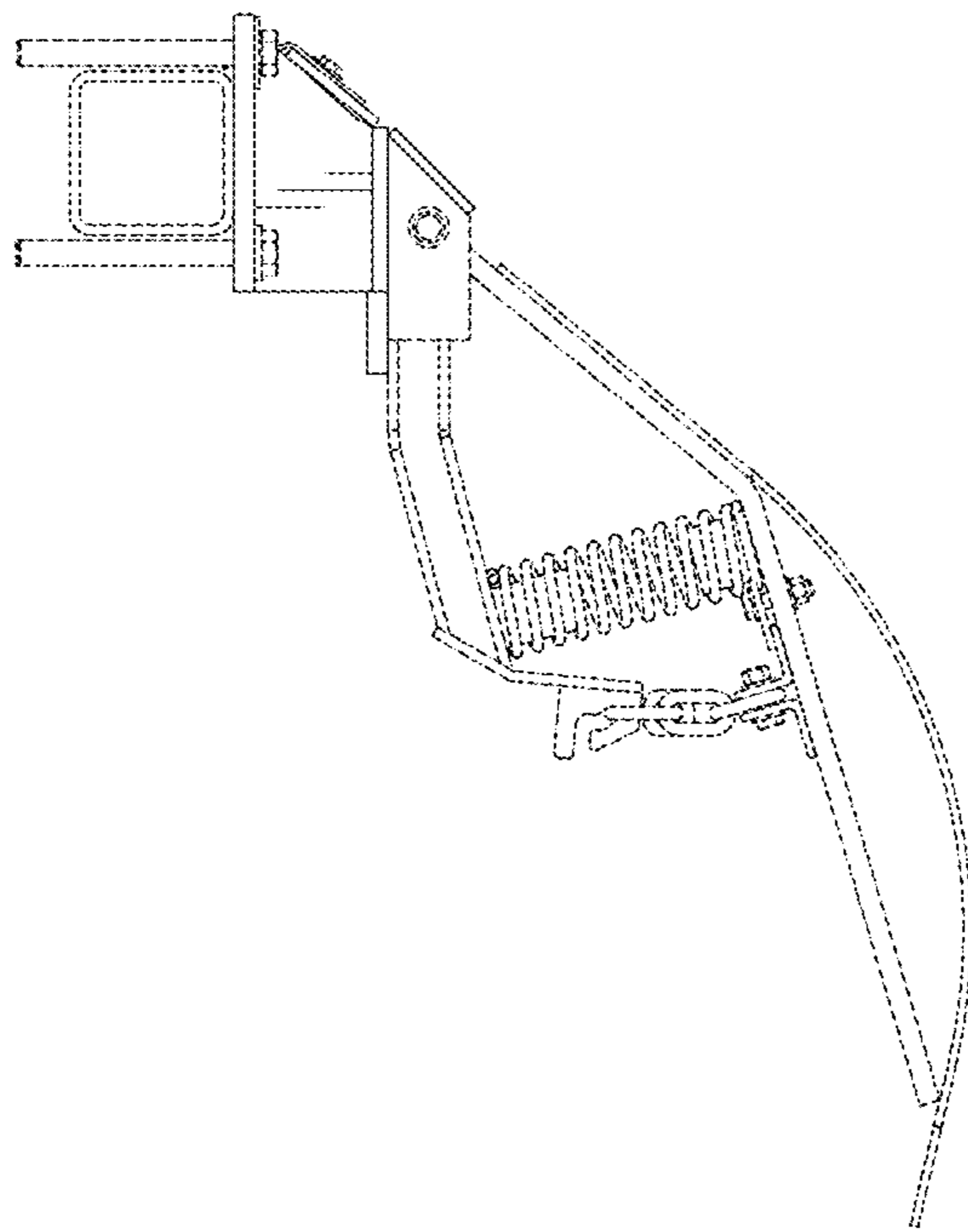


FIG. 6

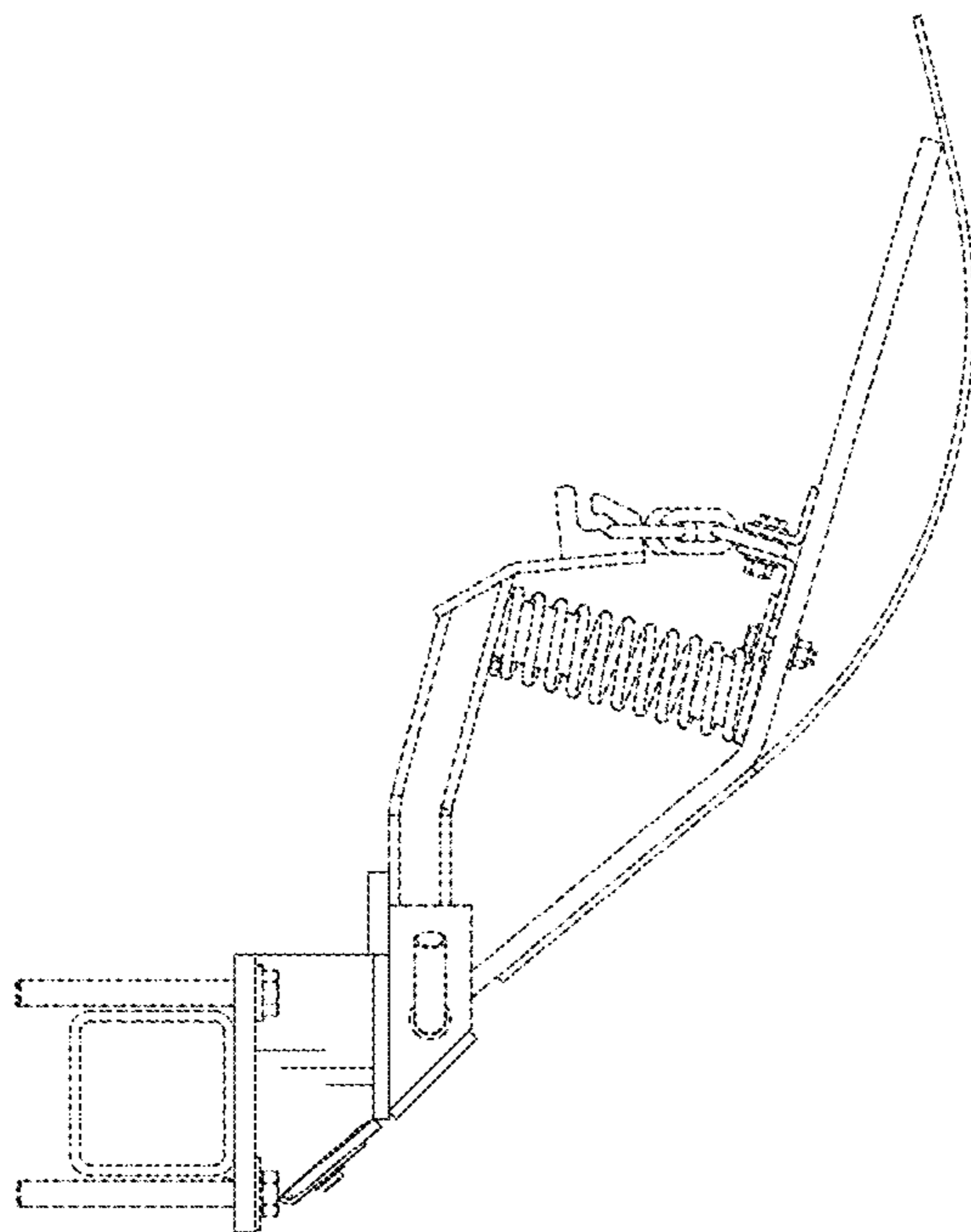


FIG. 5

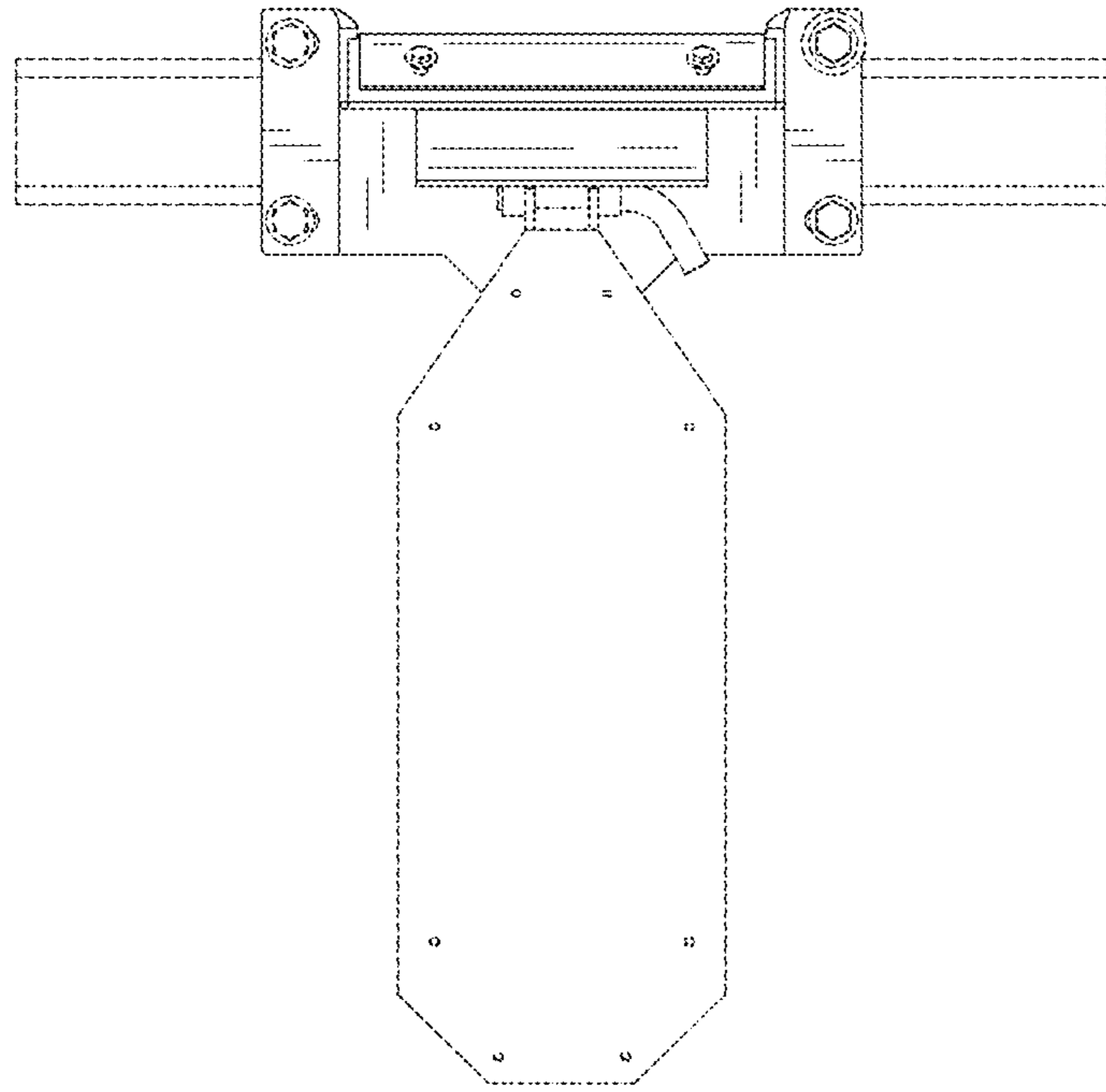


FIG. 8

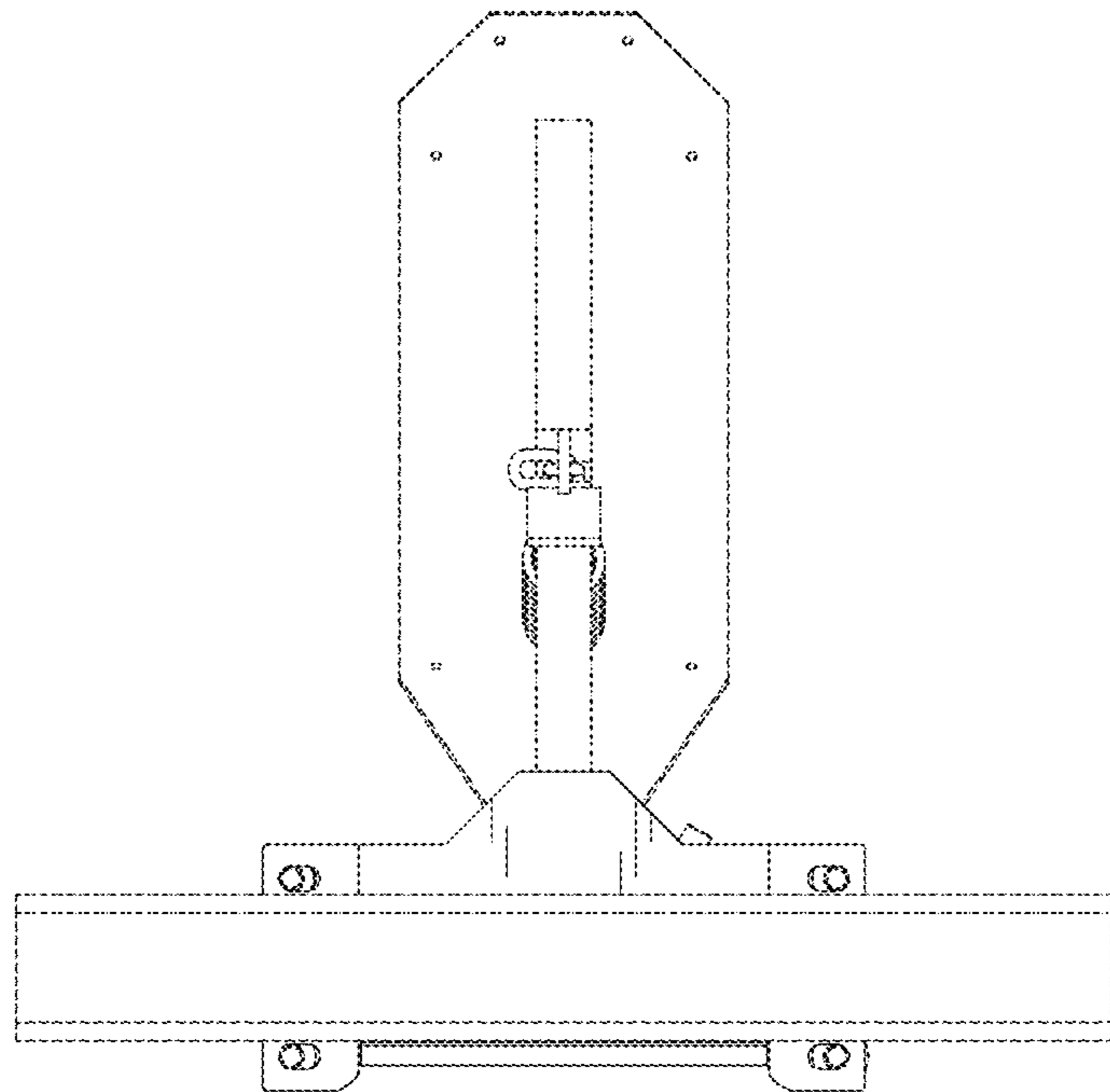


FIG. 7

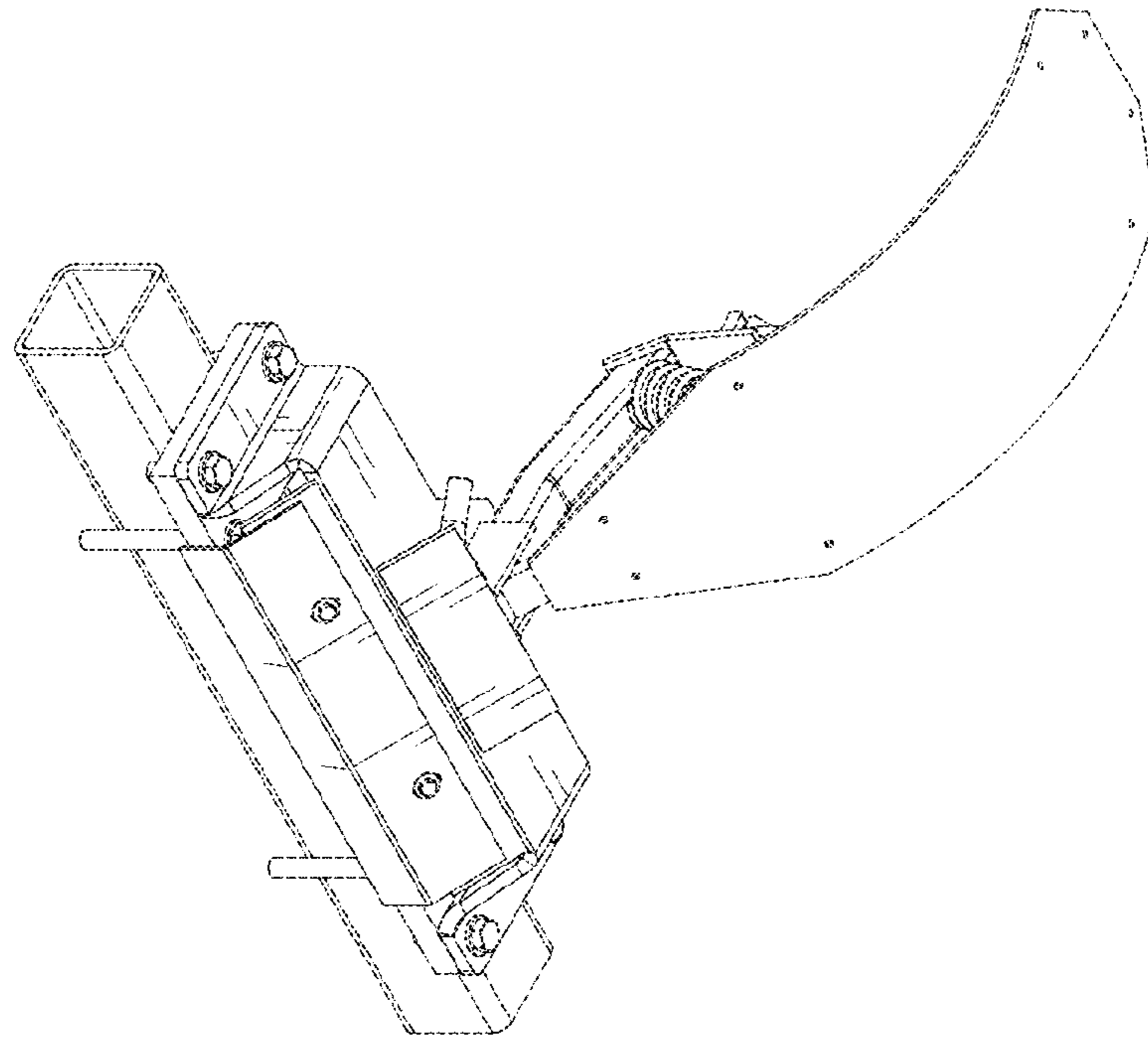


FIG. 10

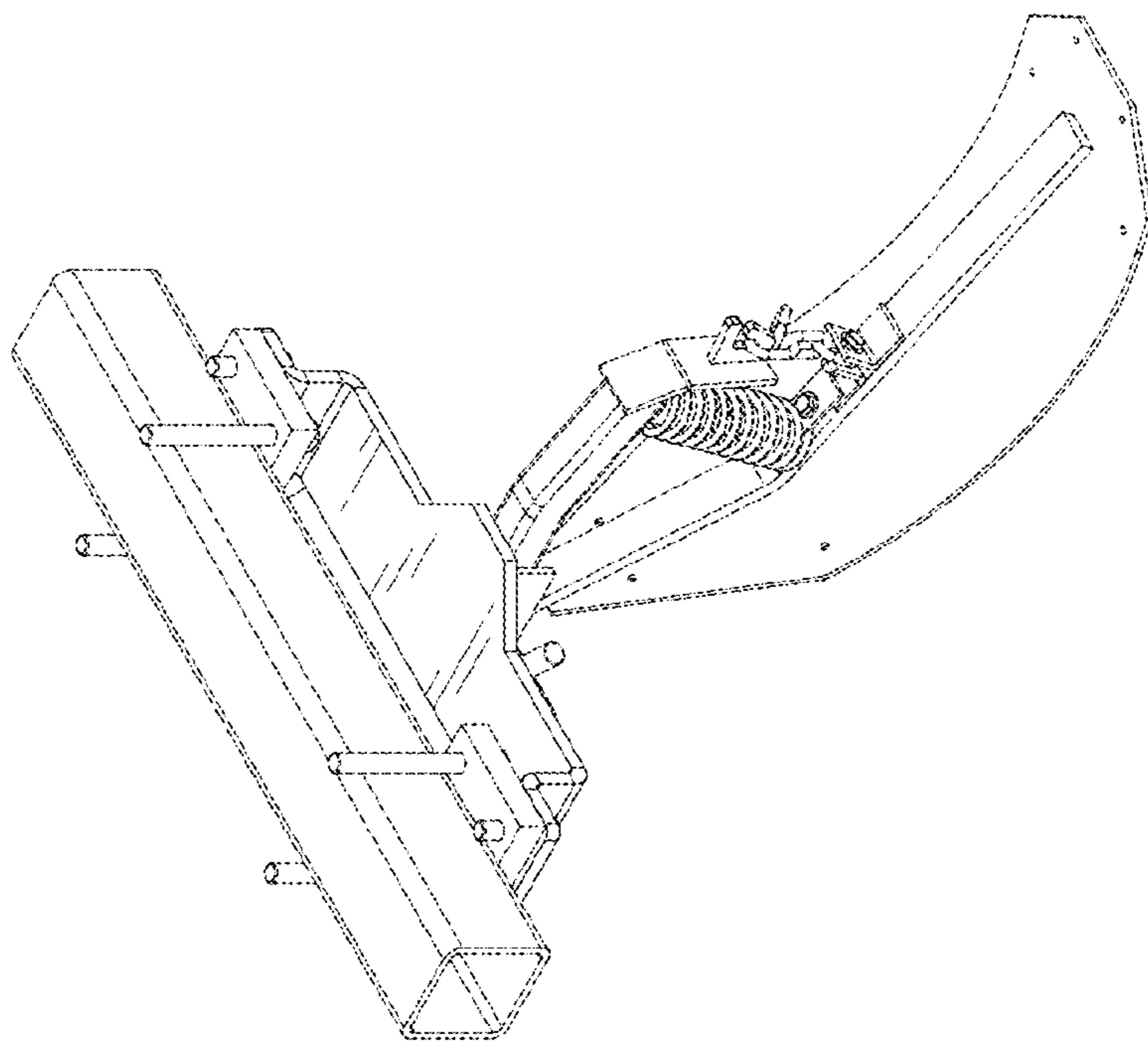


FIG. 9

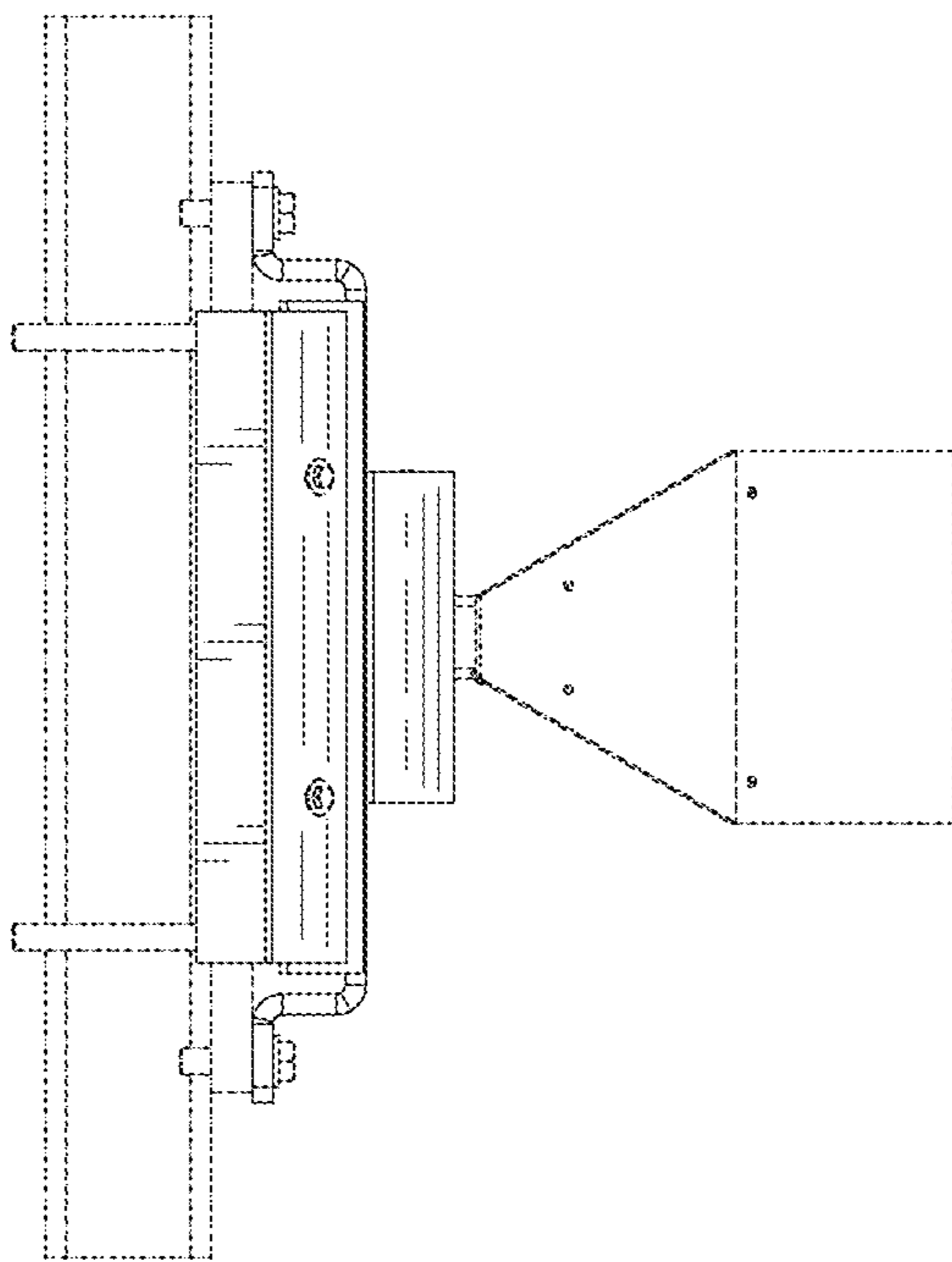


FIG. 11

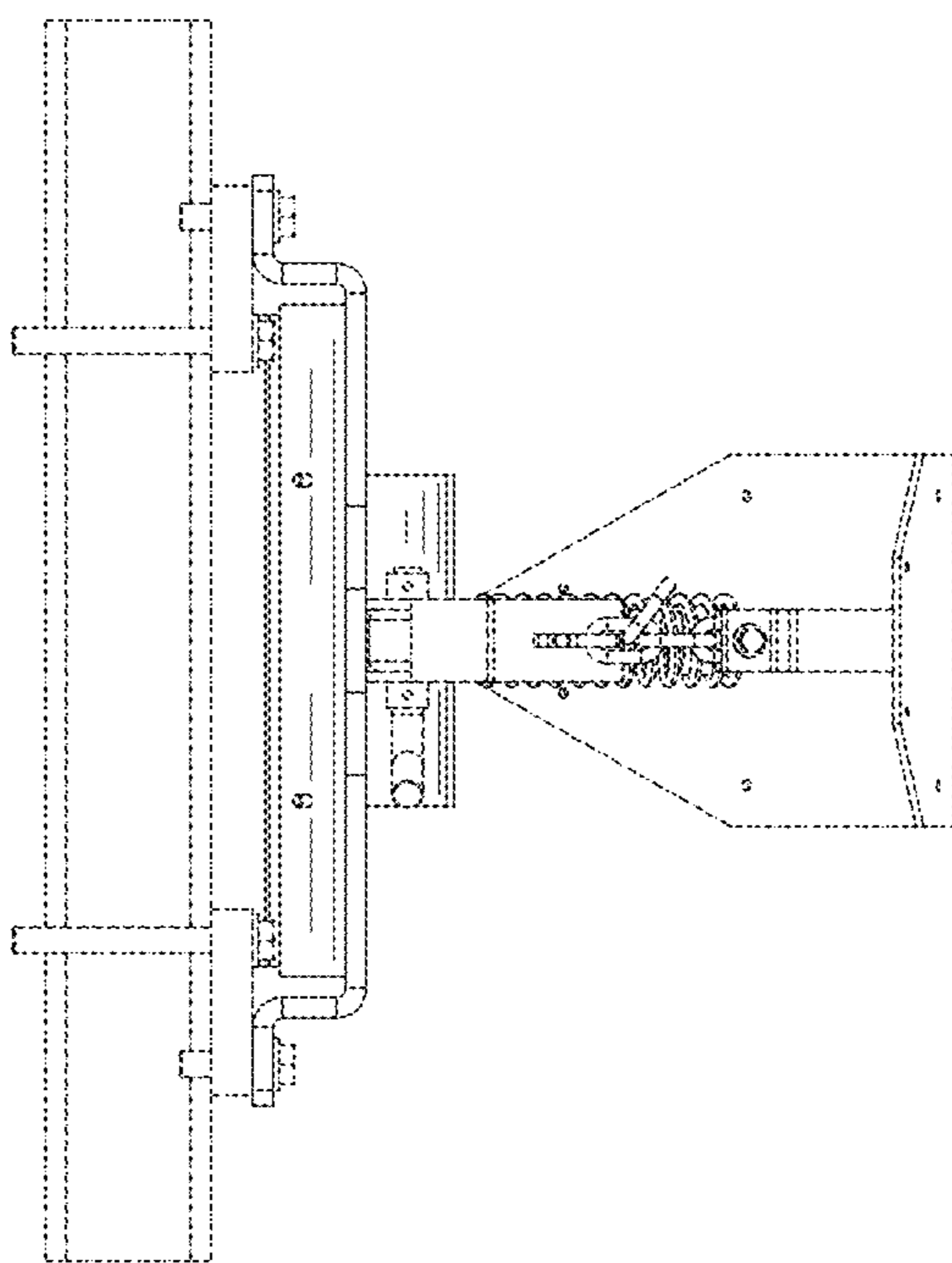


FIG. 12

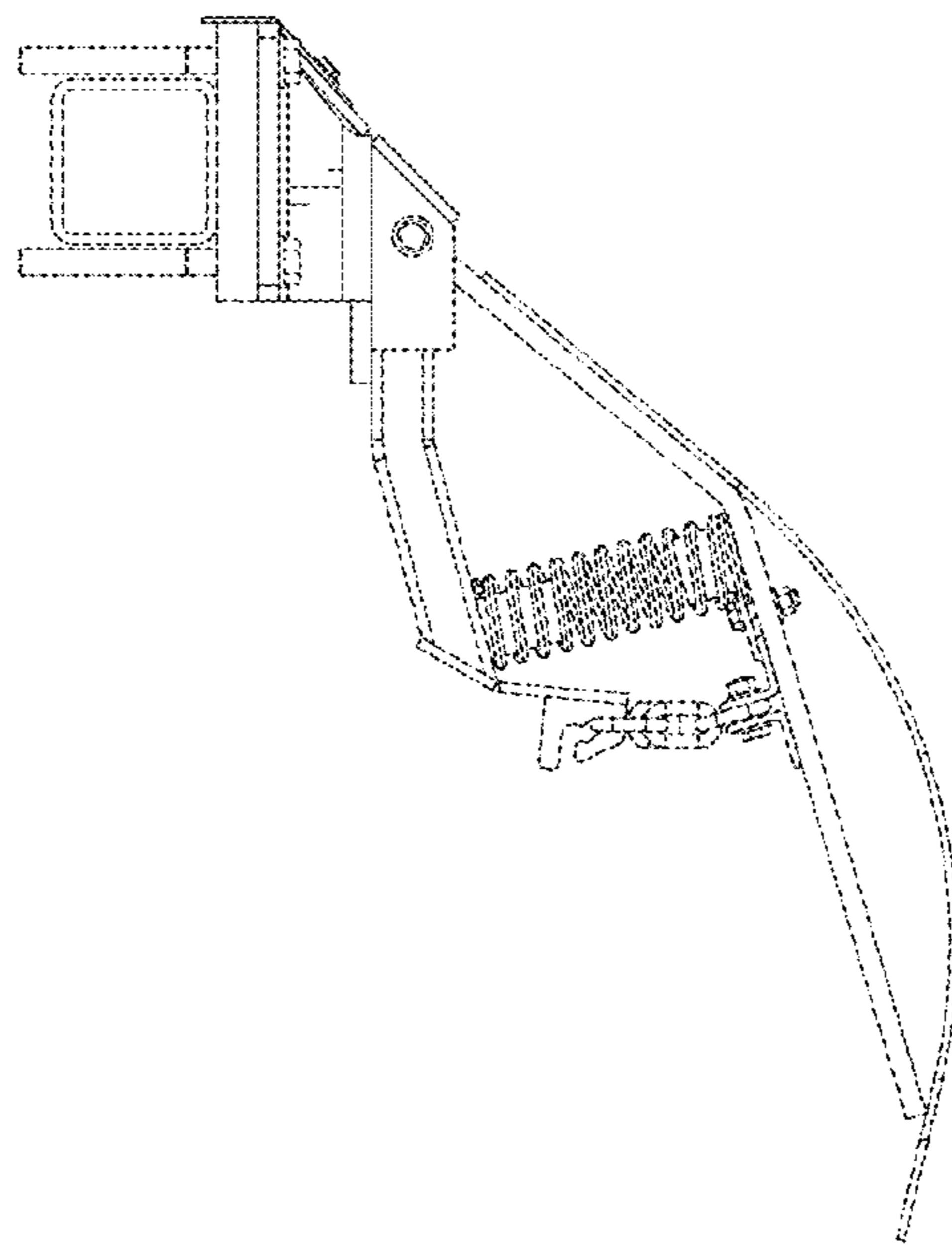


FIG. 14

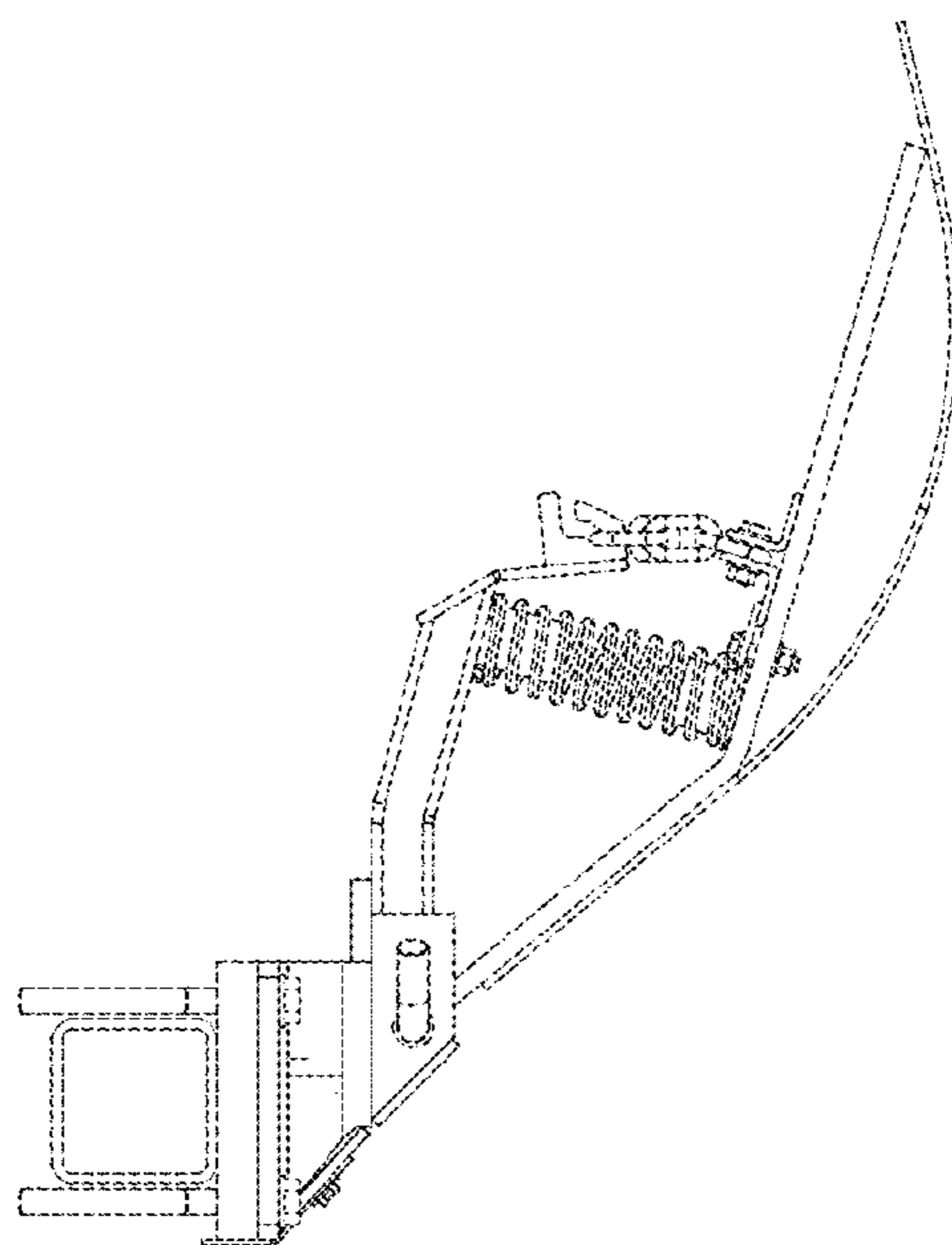


FIG. 13

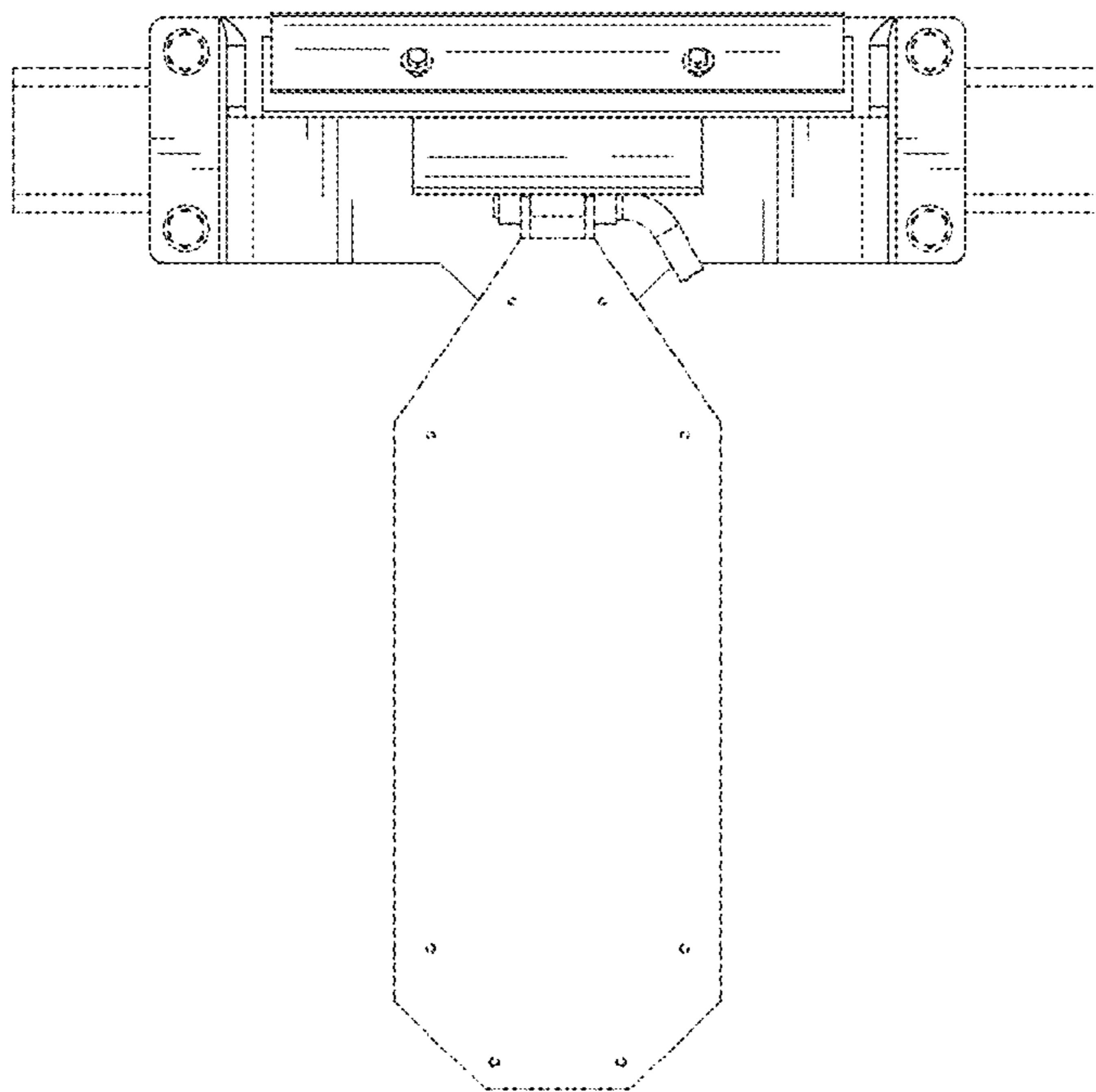


FIG. 15

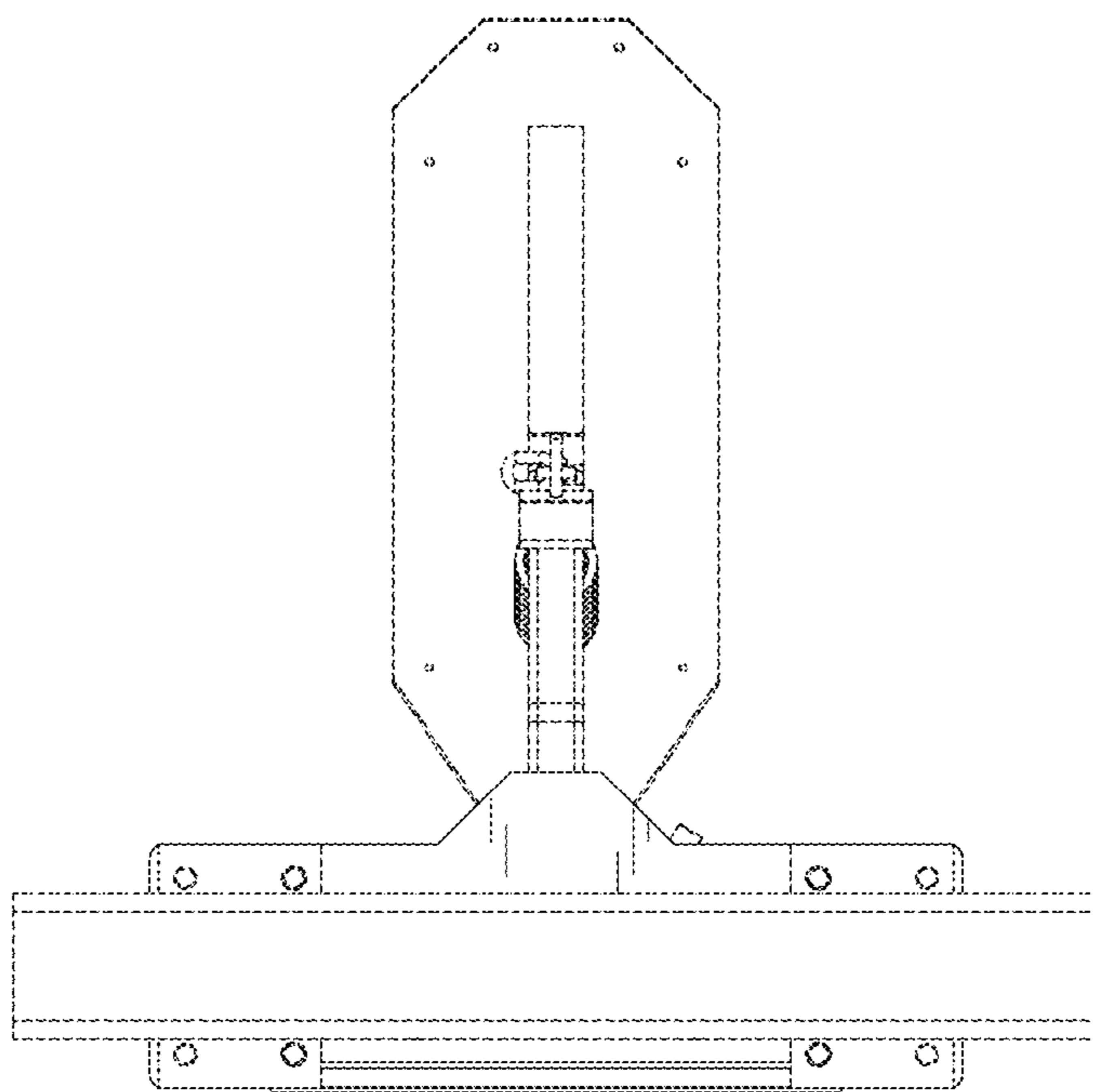


FIG. 16