



US00D742935S

(12) **United States Design Patent**
Ewringmann

(10) **Patent No.:** **US D742,935 S**
(45) **Date of Patent:** **** Nov. 10, 2015**

(54) **SIDE PANEL FOR A ROAD CONSTRUCTION MACHINE**

(75) Inventor: **Ulrich Ewringmann,**
Taufkirchen-Potzharn (DE)

(73) Assignee: **JOSEPH VOGELE AG,**
Ludwigshafen/Rhein (DE)

(**) Term: **14 Years**

(21) Appl. No.: **29/412,296**

(22) Filed: **Feb. 1, 2012**

(30) **Foreign Application Priority Data**

Aug. 1, 2011 (DE) 001289920

(51) **LOC (10) Cl.** **15-03**

(52) **U.S. Cl.**
USPC **D15/28**

(58) **Field of Classification Search**
USPC D15/17, 22-26, 28, 31, 33; D12/192,
D12/419, 421; 180/69.2, 69.21, 69.24, 90;
296/70, 30, 72, 191, 192, 193.03
See application file for complete search history.

(56) **References Cited**

U.S. PATENT DOCUMENTS

D135,005 S 2/1943 Baumgardner
2,591,502 A 4/1952 Bohannan et al.
2,779,258 A 1/1957 Johnson
D184,043 S 12/1958 Dodge

(Continued)

OTHER PUBLICATIONS

Design U.S. Appl. No. 29/412,280, filed Feb. 1, 2012.

(Continued)

Primary Examiner — Mark Goodwin

(74) *Attorney, Agent, or Firm* — Fish & Richardson P.C.

(57) **CLAIM**

The ornamental design for side panel for a road construction machine, as shown and described.

DESCRIPTION

FIG. 1 is a left side view of a side panel for a road construction machine showing my new design.

FIG. 2 is a front view thereof.

FIG. 3 is a right side view thereof.

FIG. 4 is a rear view thereof.

FIG. 5 is a top plan view thereof.

FIG. 6 is a bottom plan view thereof.

FIG. 7 is a top, front, left side perspective view thereof.

FIG. 8 is a further top, rear, left side perspective view thereof.

FIG. 9 is a left side view of a second embodiment of a side panel for a road construction machine showing my new design.

FIG. 10 is a front view thereof.

FIG. 11 is a right side view thereof.

FIG. 12 is a rear view thereof.

FIG. 13 is a top plan view thereof.

FIG. 14 is a bottom plan view thereof.

FIG. 15 is a top, front, left side perspective view thereof.

FIG. 16 is a further top, rear, left side perspective view thereof.

FIG. 17 is a left side view of a third embodiment of a side panel for a road construction machine showing my new design.

FIG. 18 is a front view thereof.

FIG. 19 is a right side view thereof.

FIG. 20 is a rear view thereof.

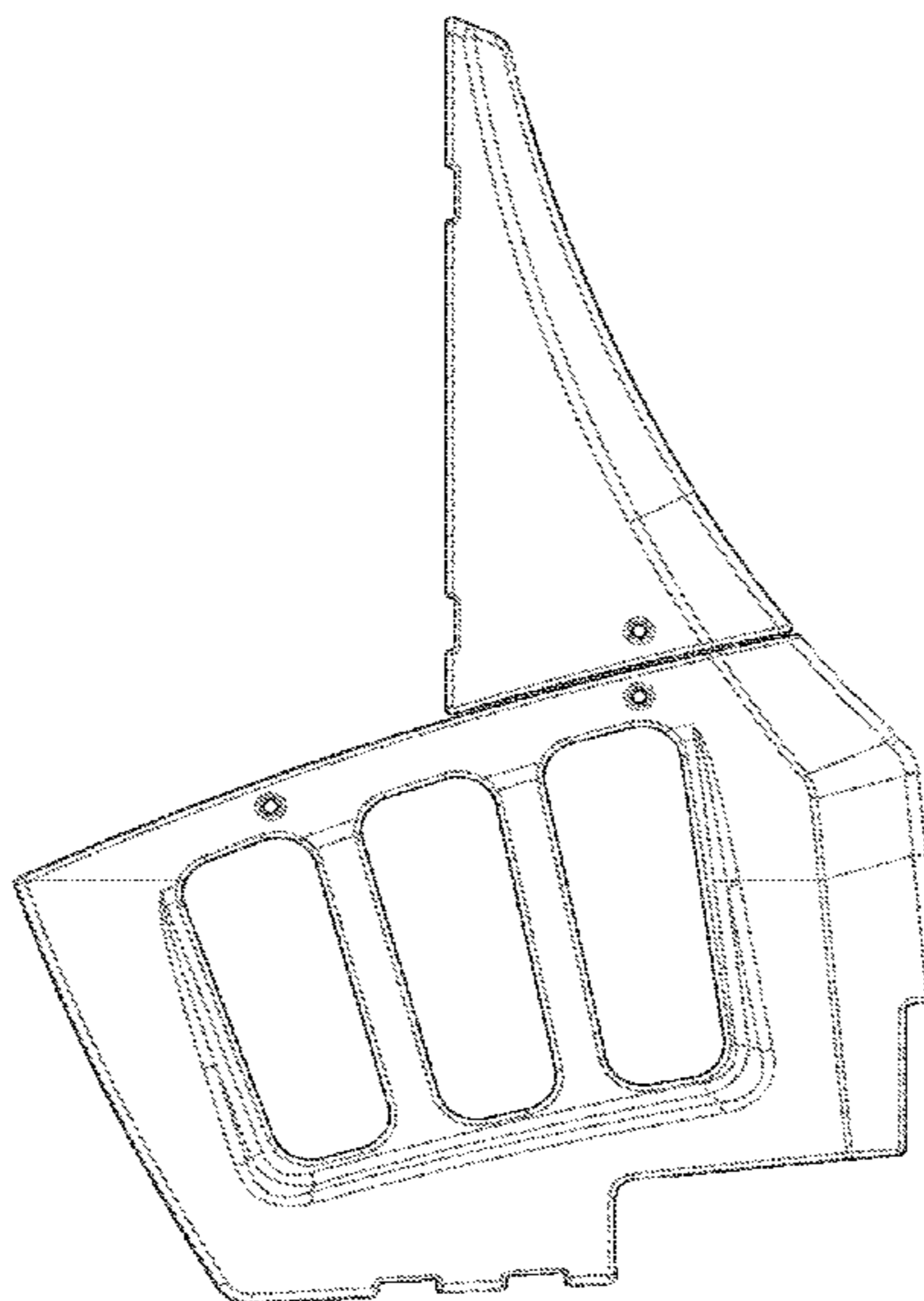
FIG. 21 is a bottom plan view thereof.

FIG. 22 is a top plan view thereof.

FIG. 23 is a top, front, left side perspective view thereof; and,

FIG. 24 is a further top, rear, left side perspective view thereof.

1 Claim, 24 Drawing Sheets



(56)

References Cited

U.S. PATENT DOCUMENTS

3,000,277 A 9/1961 Crane et al.
 D210,658 S 4/1968 Lazzeroni
 3,405,613 A 10/1968 Gustafson
 3,453,939 A 7/1969 Pollitz et al.
 3,561,816 A 2/1971 Koch
 3,699,855 A 10/1972 Leister
 3,712,664 A 1/1973 May
 D230,297 S 2/1974 Purcell et al.
 D239,966 S 5/1976 Swisher et al.
 3,997,277 A 12/1976 Swisher et al.
 4,196,344 A 4/1980 Kuze
 D275,199 S 8/1984 Schmidt et al.
 D281,881 S 12/1985 Swartzendruber et al.
 D284,668 S 7/1986 Salley et al.
 D284,669 S 7/1986 Clark et al.
 D284,767 S 7/1986 Clark et al.
 D285,081 S 8/1986 Wood
 4,674,928 A 6/1987 Lyman
 4,721,031 A 1/1988 Nakata et al.
 D306,450 S 3/1990 Funabashi et al.
 5,009,546 A 4/1991 Domenighetti et al.
 D317,011 S 5/1991 Boddin et al.
 D329,435 S 9/1992 Katoh et al.
 5,201,603 A 4/1993 Bassett et al.
 5,201,604 A 4/1993 Ferguson et al.
 5,250,930 A 10/1993 Yoshida et al.
 5,269,626 A 12/1993 Soliman et al.
 D348,553 S 7/1994 Martin
 5,356,238 A 10/1994 Musil et al.
 D362,449 S 9/1995 Swisher
 5,511,900 A 4/1996 Macku
 D370,917 S 6/1996 Swisher
 5,615,973 A 4/1997 Campbell
 5,695,238 A 12/1997 Calamari et al.
 D398,289 S 9/1998 Burke
 6,071,040 A 6/2000 Macku et al.
 6,086,287 A 7/2000 Sharpe et al.

6,099,205 A 8/2000 Macku et al.
 D438,217 S * 2/2001 Olson et al. D15/10
 6,189,955 B1 2/2001 Fryk et al.
 6,193,437 B1 2/2001 Heims
 6,309,138 B1 10/2001 Yasu et al.
 6,375,386 B1 4/2002 Macku et al.
 D464,663 S * 10/2002 Dahl et al. D15/33
 6,688,682 B2 2/2004 Arthur et al.
 D500,329 S * 12/2004 Bauve et al. D15/28
 D503,928 S 4/2005 Obata
 D507,281 S 7/2005 Komatsu et al.
 D507,800 S 7/2005 Kuwae et al.
 D516,094 S * 2/2006 Dotsch et al. D15/20
 D525,212 S 7/2006 Kim
 D527,393 S * 8/2006 Maas et al. D15/28
 D573,611 S * 7/2008 Geier D15/20
 D578,142 S * 10/2008 Ewringmann D15/22
 D635,159 S * 3/2011 Berning et al. D15/33
 D635,160 S * 3/2011 Berning et al. D15/33
 D635,593 S * 4/2011 Berning et al. D15/33
 D642,599 S * 8/2011 Busley D15/33
 D643,860 S * 8/2011 Busley D15/33
 2003/0143024 A1 7/2003 Sharpe et al.
 2005/0105232 A1 5/2005 Taylor
 2005/0133292 A1 6/2005 Ginzel et al.
 2006/0045624 A1 3/2006 Nelson
 2006/0243506 A1 11/2006 Dolesh et al.

OTHER PUBLICATIONS

Design U.S. Appl. No. 29/412,335, filed Feb. 1, 2012.
 Design U.S. Appl. No. 29/412,268, filed Feb. 1, 2012.
 Design U.S. Appl. No. 29/412,292, filed Feb. 1, 2012.
 Design U.S. Appl. No. 29/412,330, filed Feb. 1, 2012.
 Design U.S. Appl. No. 29/412,298, filed Feb. 1, 2012.
 Design U.S. Appl. No. 29/412,340, filed Feb. 1, 2012.
 Design U.S. Appl. No. 29/412,328, filed Feb. 1, 2012.
 Design U.S. Appl. No. 29/412,337, filed Feb. 1, 2012.
 Design U.S. Appl. No. 29/412,329, filed Feb. 1, 2012.

* cited by examiner

FIG. 1

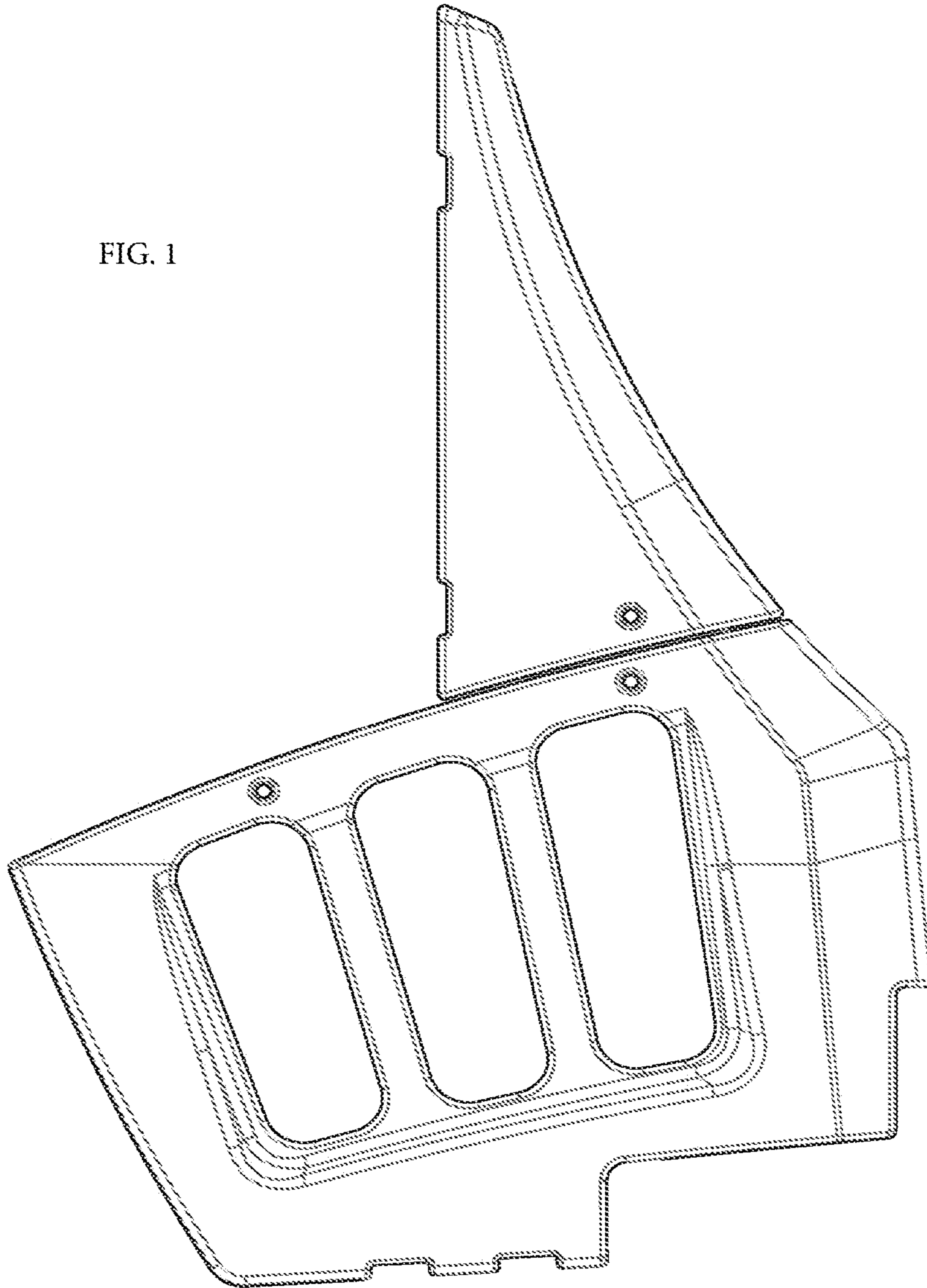
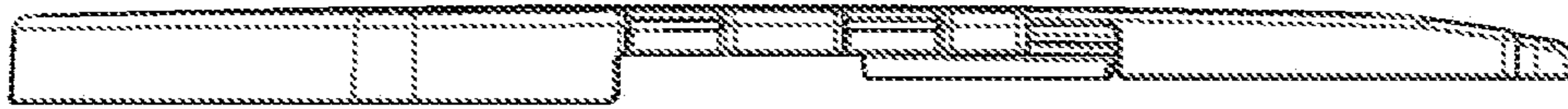


FIG. 2



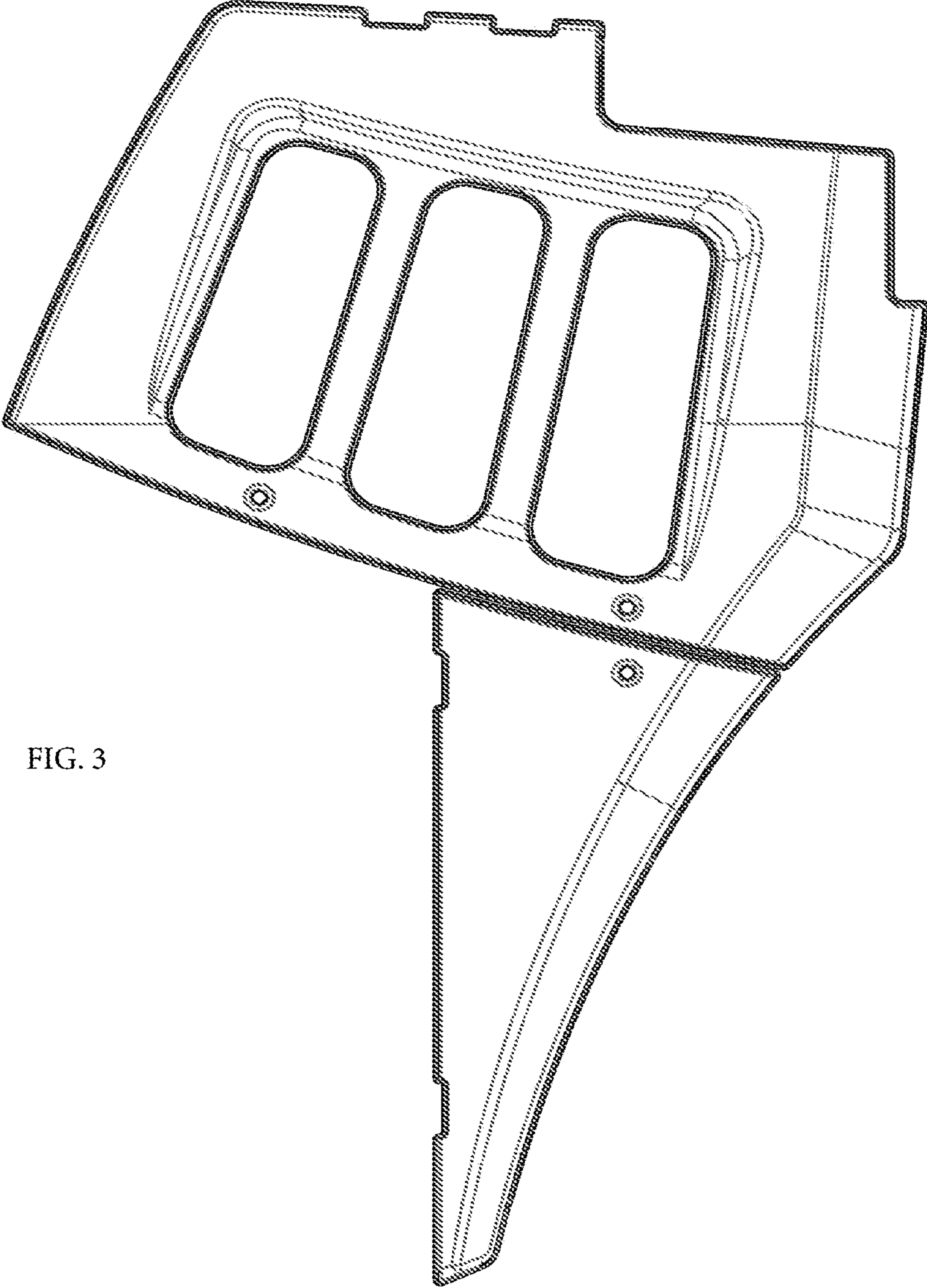


FIG. 3

FIG. 4

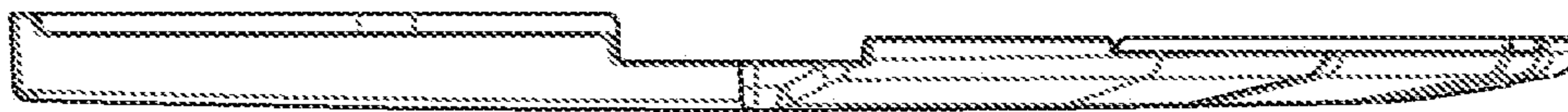


FIG. 5





FIG. 6

FIG. 7

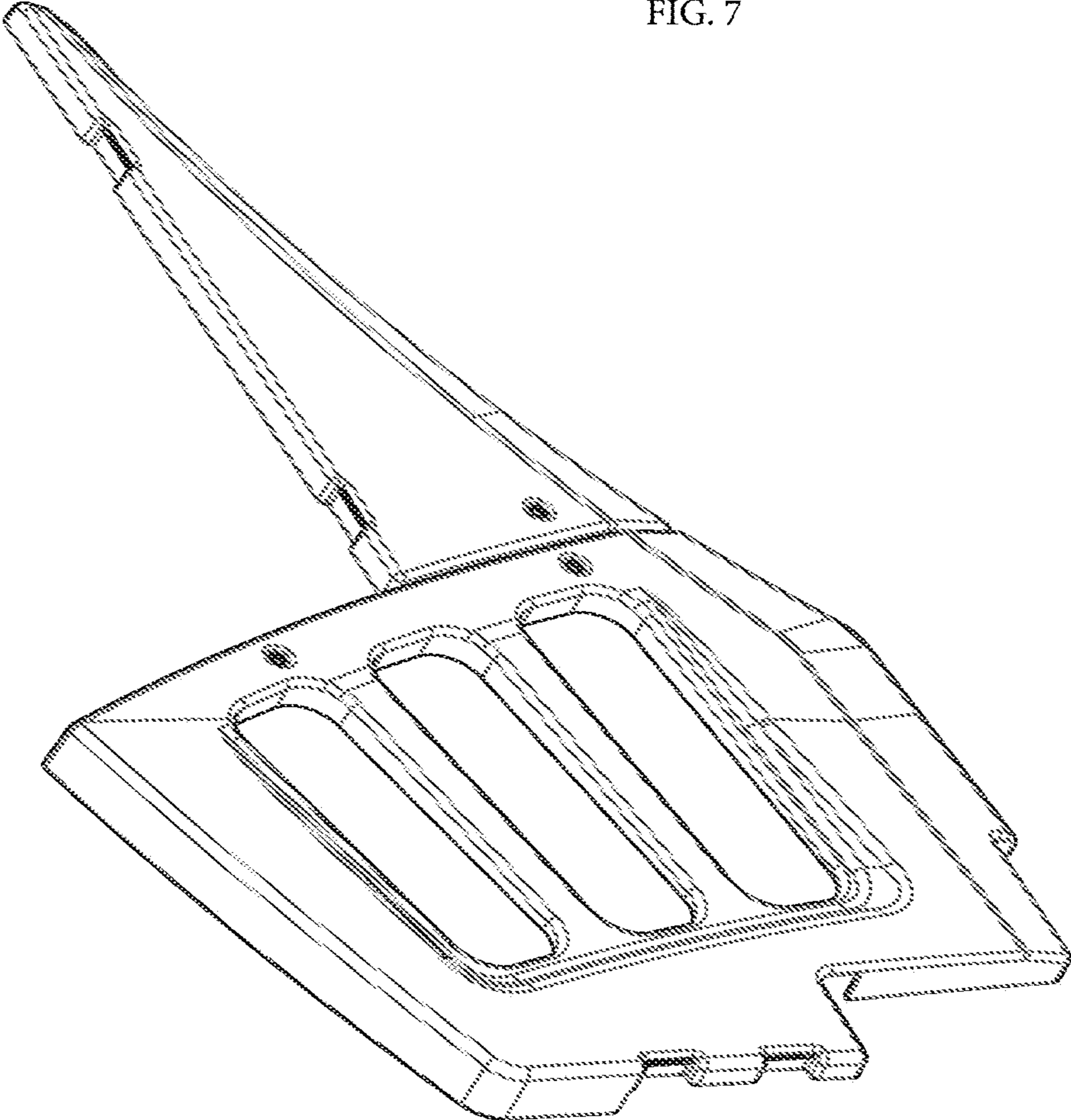


FIG. 8

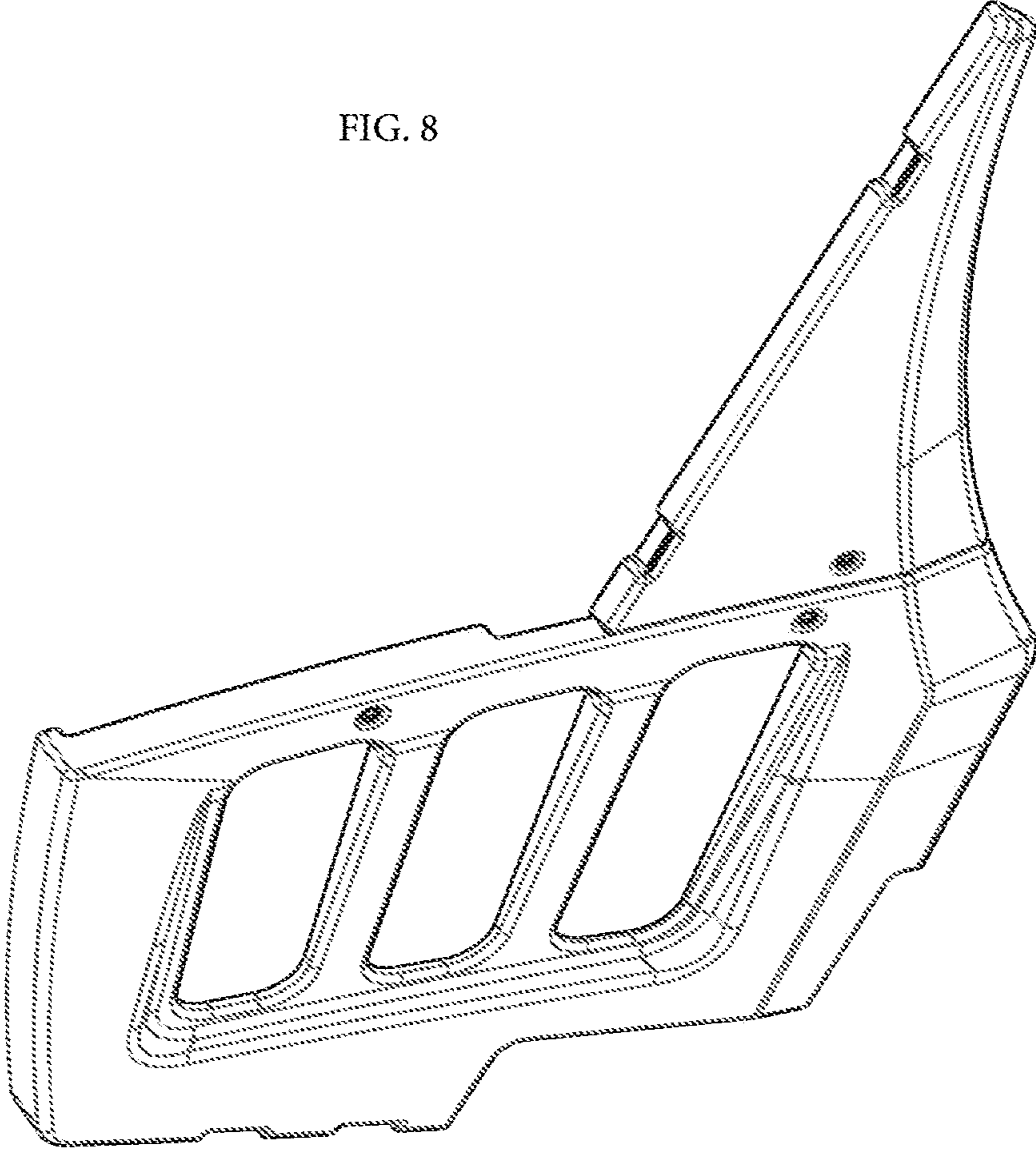


FIG. 9

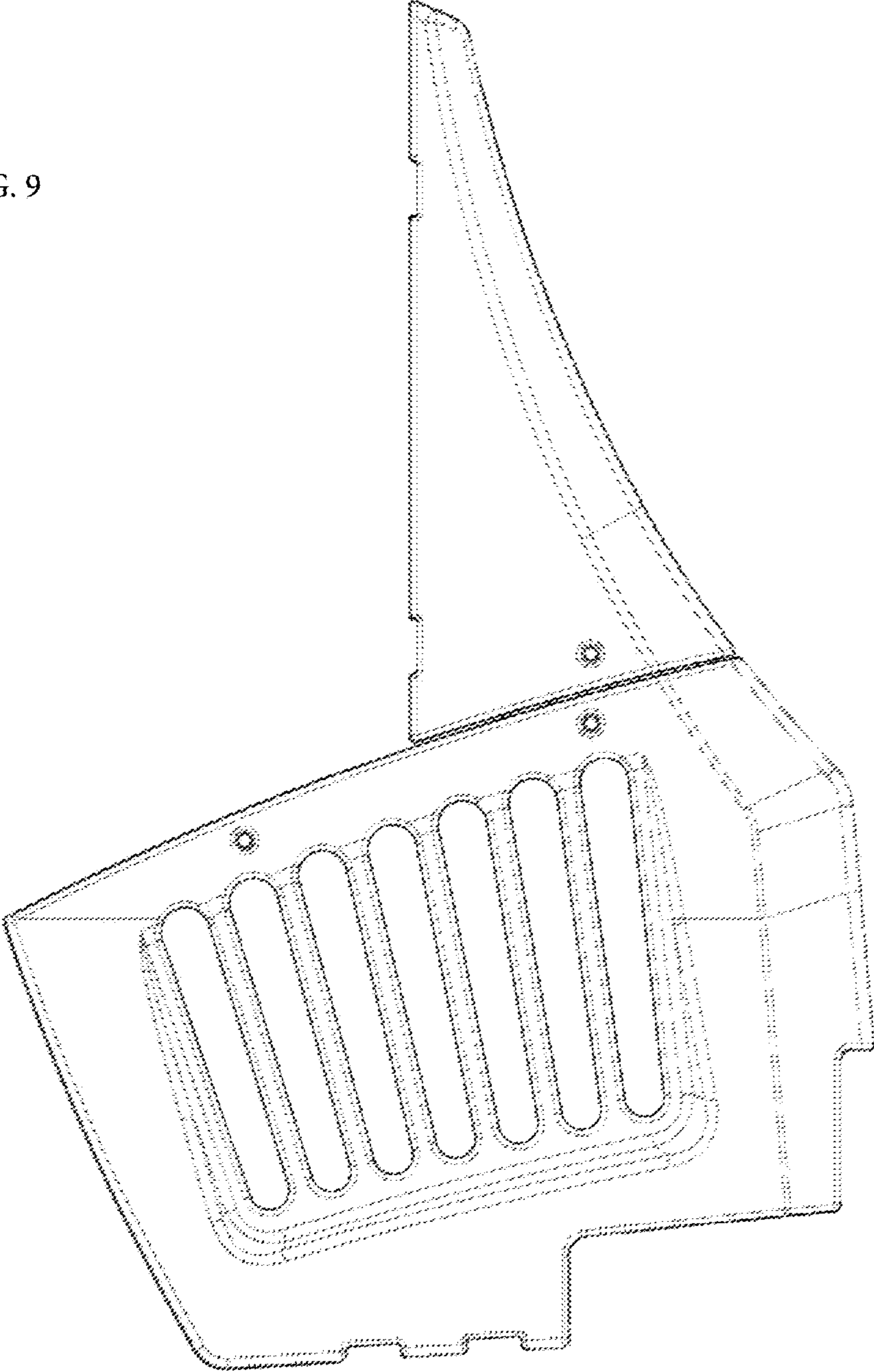
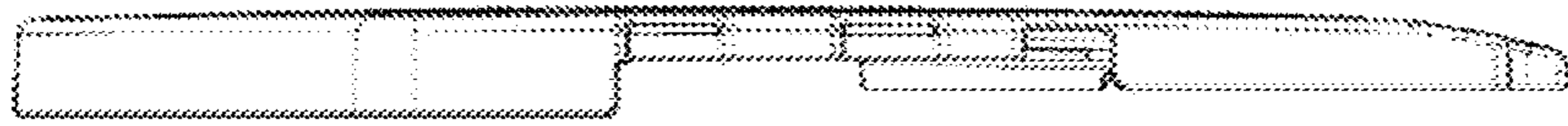


FIG. 10



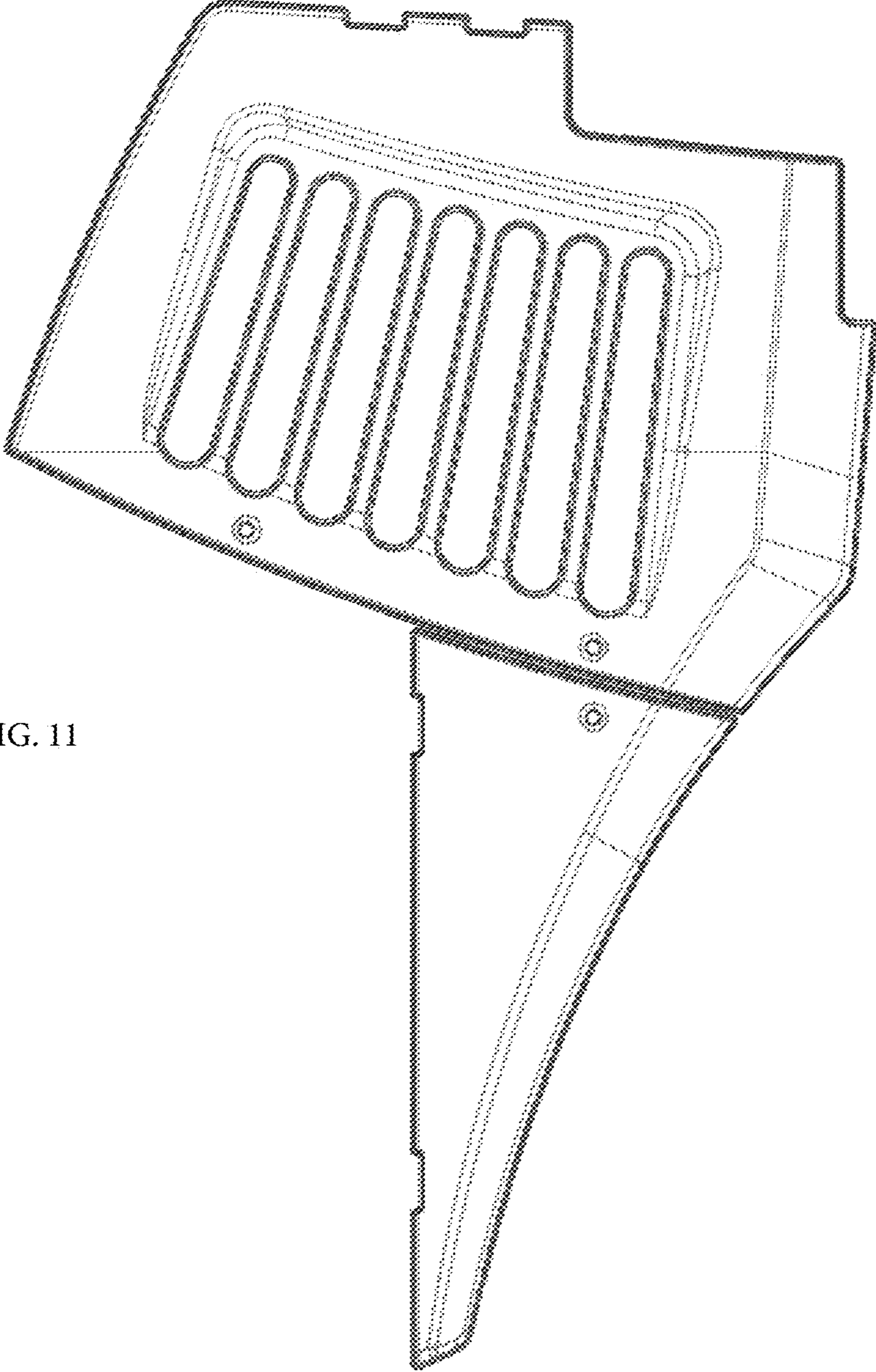


FIG. 11

FIG. 12

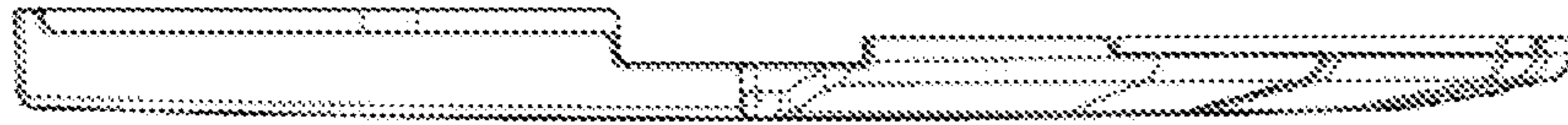


FIG. 13



FIG. 14



FIG. 15

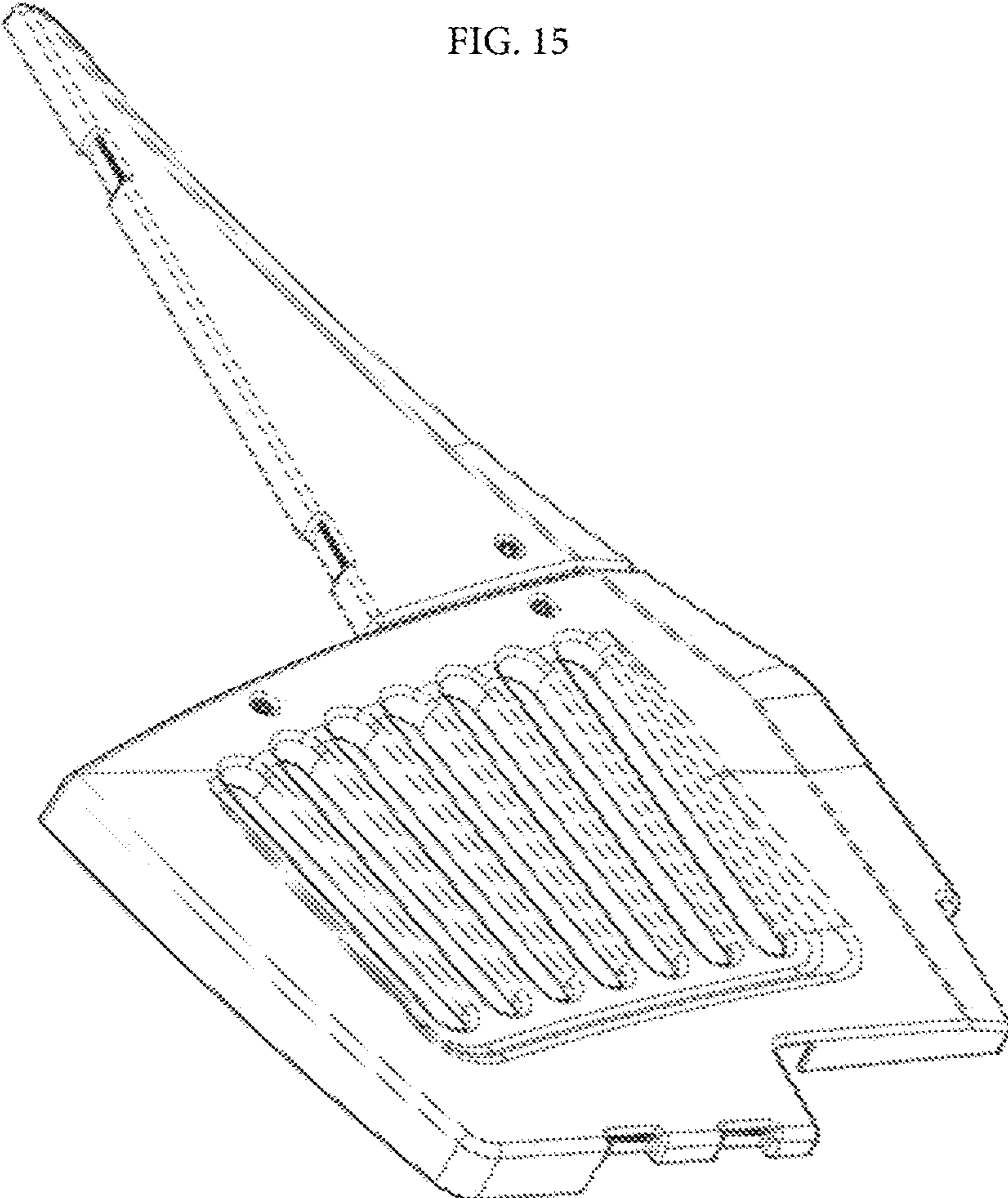


FIG. 16

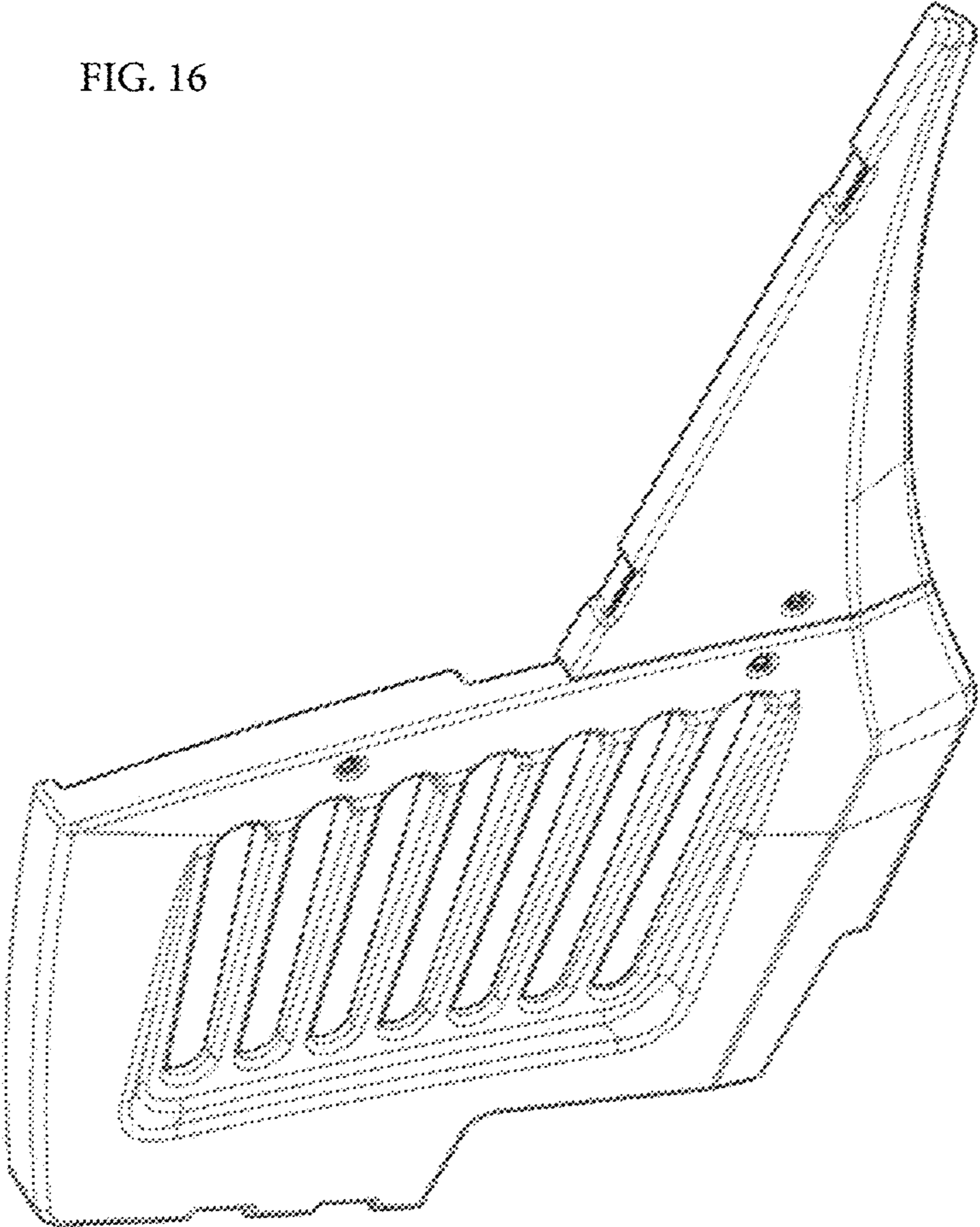


FIG. 17

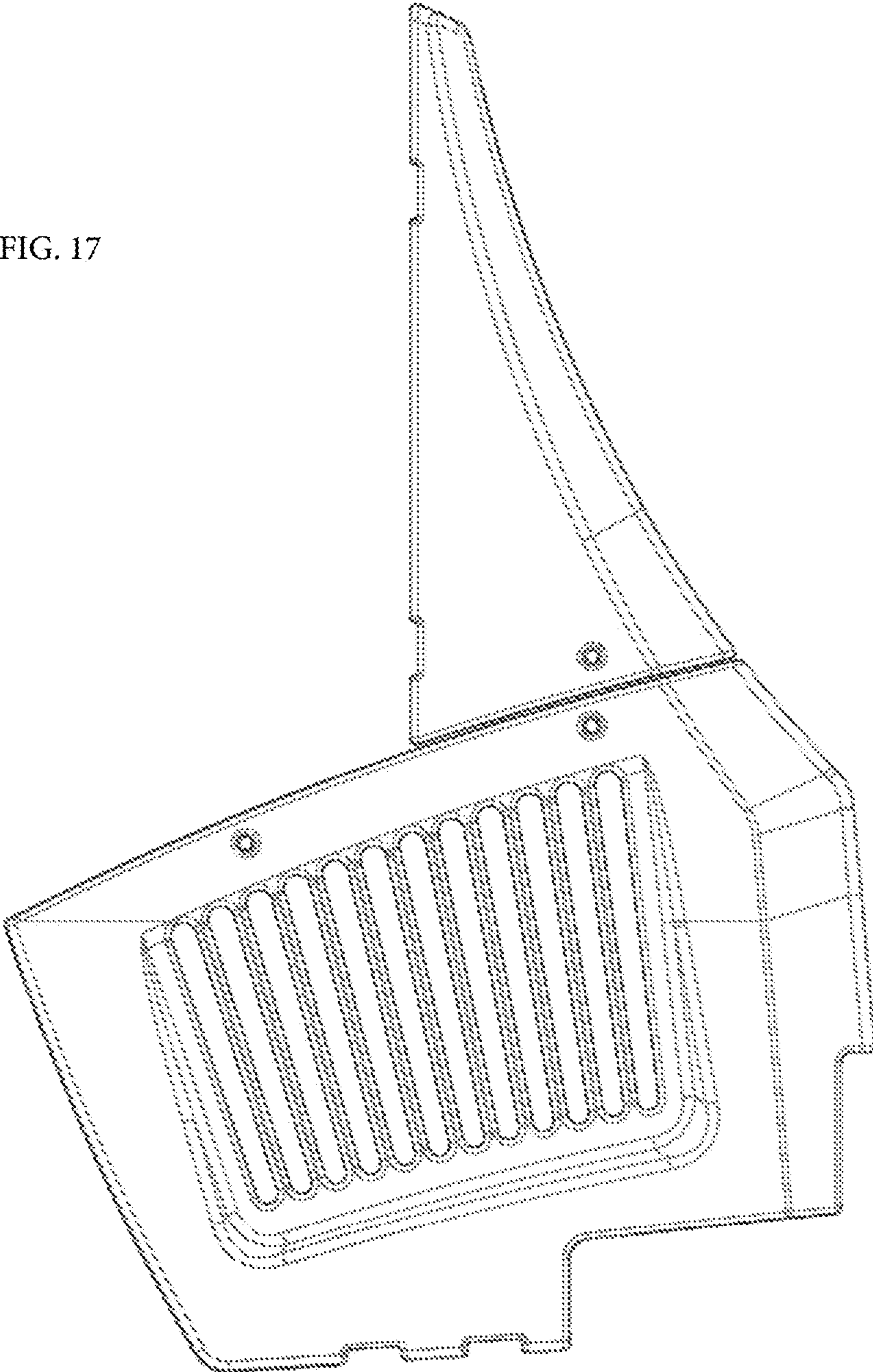


FIG. 18



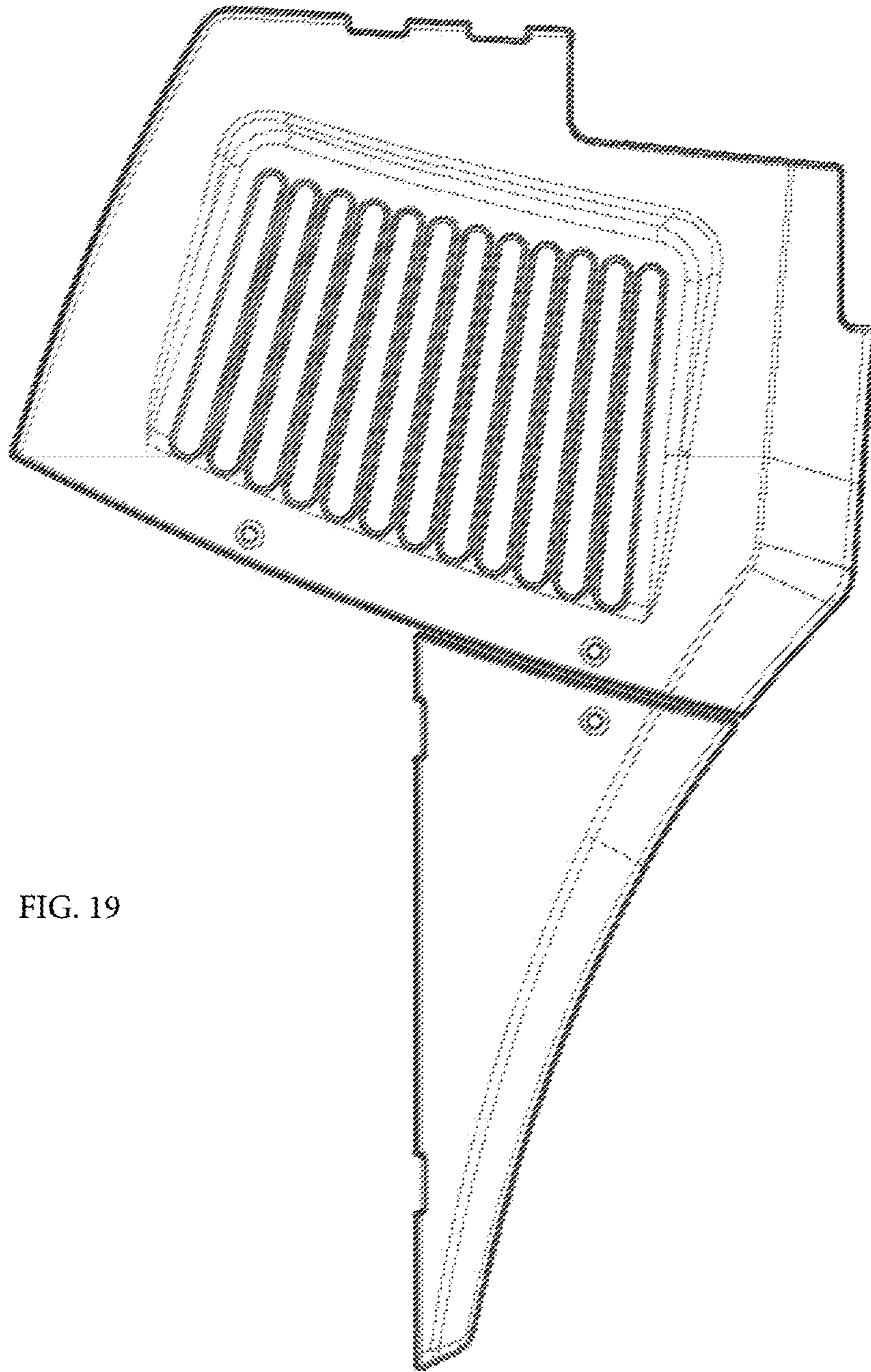


FIG. 19

FIG. 20

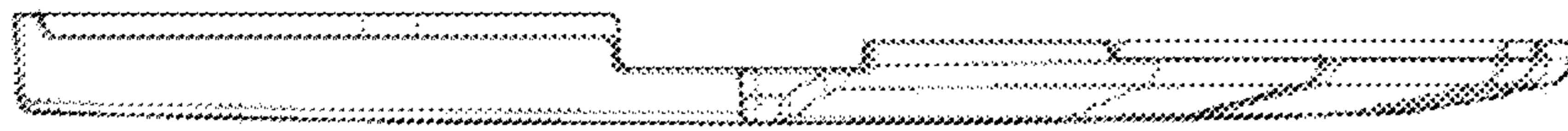


FIG. 21



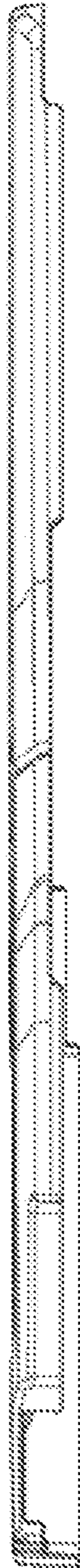


FIG. 22

FIG. 23

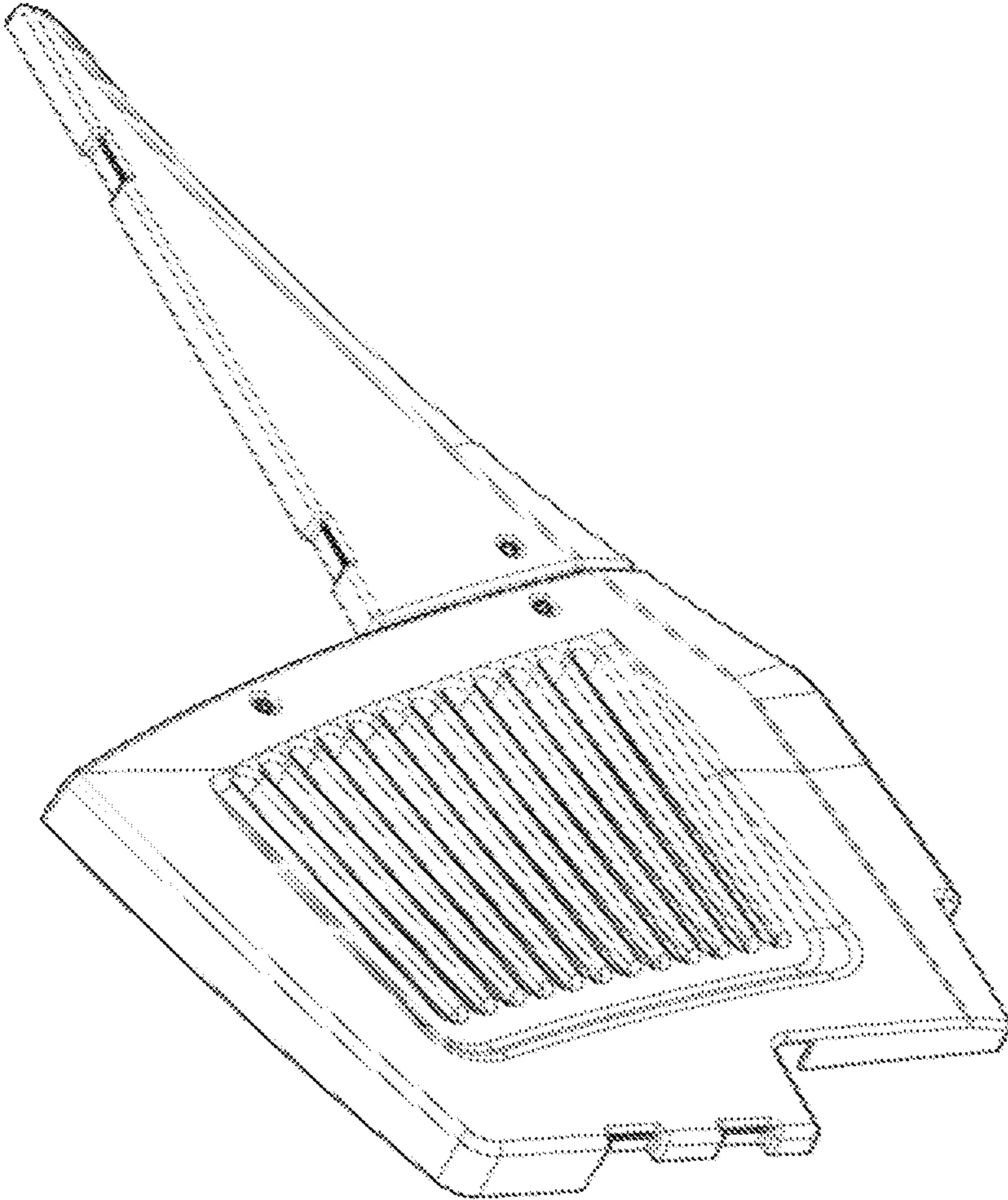


FIG. 24

