



US00D742934S

(12) **United States Design Patent**  
**Kushita et al.**

(10) **Patent No.:** **US D742,934 S**

(45) **Date of Patent:** **\*\* Nov. 10, 2015**

(54) **BACKHOE**

(71) Applicant: **Kubota Corporation**, Osaka-shi (JP)

(72) Inventors: **Yoshihiro Kushita**, Sakai (JP); **Masaaki Ueda**, Sakai (JP); **Kasumi Inagaki**, Sakai (JP); **Yoshitaka Higashikawa**, Sakai (JP)

(73) Assignee: **Kubota Corporation**, Osaka (JP)

(\*\*) Term: **14 Years**

(21) Appl. No.: **29/497,983**

(22) Filed: **Jul. 30, 2014**

(30) **Foreign Application Priority Data**

Feb. 21, 2014 (JP) ..... 2014-003564

(51) **LOC (10) Cl.** ..... **12-09**

(52) **U.S. Cl.**  
USPC ..... **D15/25**

(58) **Field of Classification Search**  
USPC ..... D15/10, 22-26; 37/411, 379, 443, 347;  
180/89.1, 89.12, 89.13, 900, 9.1, 9.2,  
180/9.62, 14 R, 326; 414/694, 699,  
414/722-724, 698, 719, 743, 685-688  
CPC ..... E02F 3/384; E02F 9/0808; E02F 9/0816;  
E02F 9/121; B62D 33/06; B62D 33/063

See application file for complete search history.

(56) **References Cited**

U.S. PATENT DOCUMENTS

D458,941	S	*	6/2002	Miyanishi et al.	.....	D15/25
D460,462	S	*	7/2002	Miyanishi et al.	.....	D15/25
D463,455	S	*	9/2002	Yanagida et al.	.....	D15/25
6,502,896	B1	*	1/2003	Nakata et al.	.....	296/190.05
D518,071	S	*	3/2006	Gwak et al.	.....	D15/25
D538,304	S	*	3/2007	Uemura	.....	D15/25
D555,675	S	*	11/2007	Matsubara et al.	.....	D15/25
7,503,419	B2	*	3/2009	Miyake	.....	180/327
D590,847	S	*	4/2009	Yonekura et al.	.....	D15/25
D614,205	S	*	4/2010	Kuwae et al.	.....	D15/25
2006/0108171	A1	*	5/2006	Koga et al.	.....	180/327

FOREIGN PATENT DOCUMENTS

JP 001420092 S 8/2011

\* cited by examiner

*Primary Examiner* — Mark Goodwin

(74) *Attorney, Agent, or Firm* — The Webb Law Firm

(57) **CLAIM**

The ornamental design for a backhoe, as shown and described.

**DESCRIPTION**

FIG. 1 is a front view of a backhoe, showing our new design; FIG. 2 is a rear view thereof; FIG. 3 is a left side view thereof; FIG. 4 is a right side view thereof; FIG. 5 is a top view thereof; FIG. 6 is an upper left front perspective view thereof; and, FIG. 7 is an upper right rear perspective view thereof. A bottom view is omitted because it is plain and unornamental and forms no part of the subject matter of the claimed design.

**1 Claim, 7 Drawing Sheets**

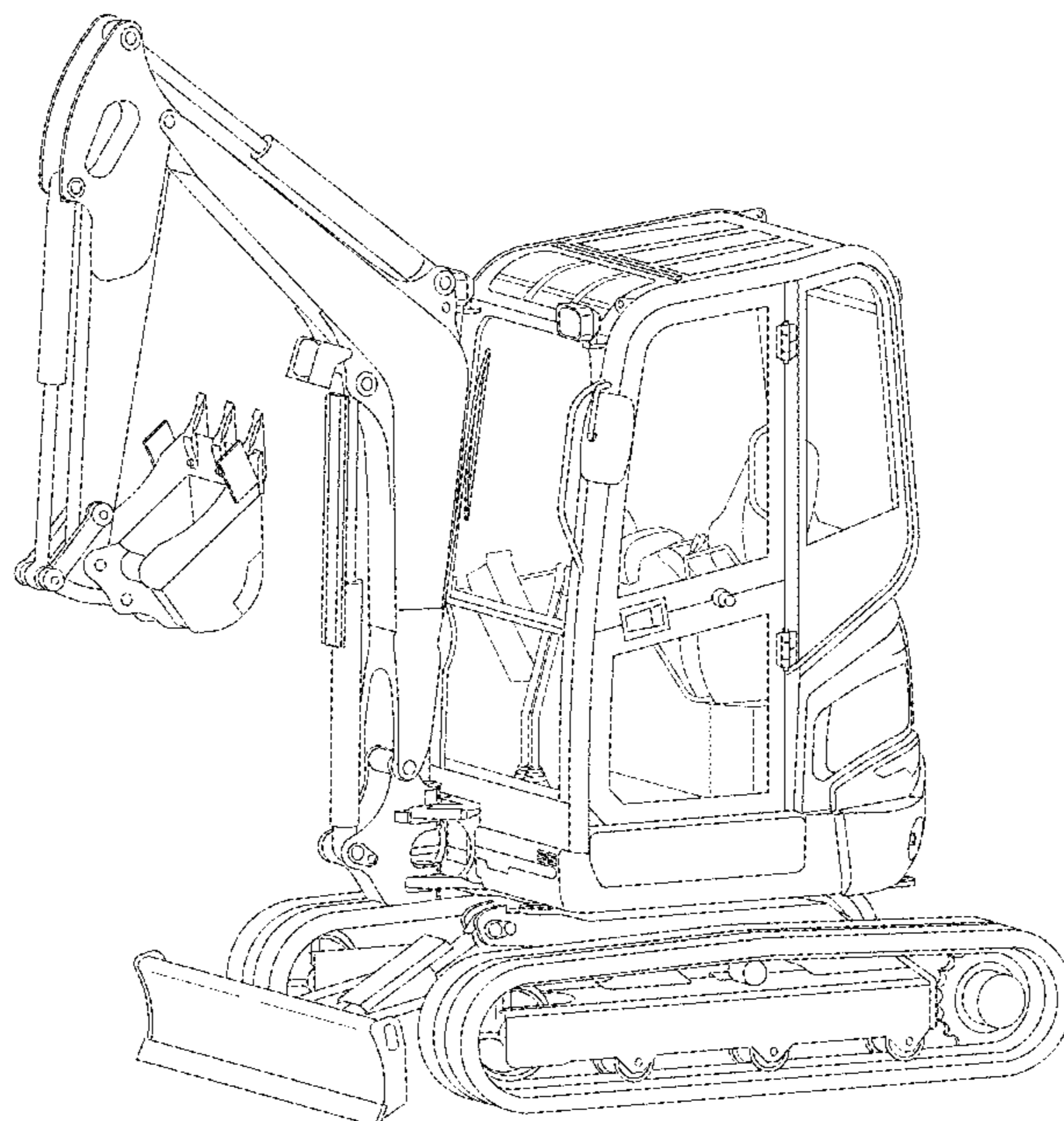


Fig. 1

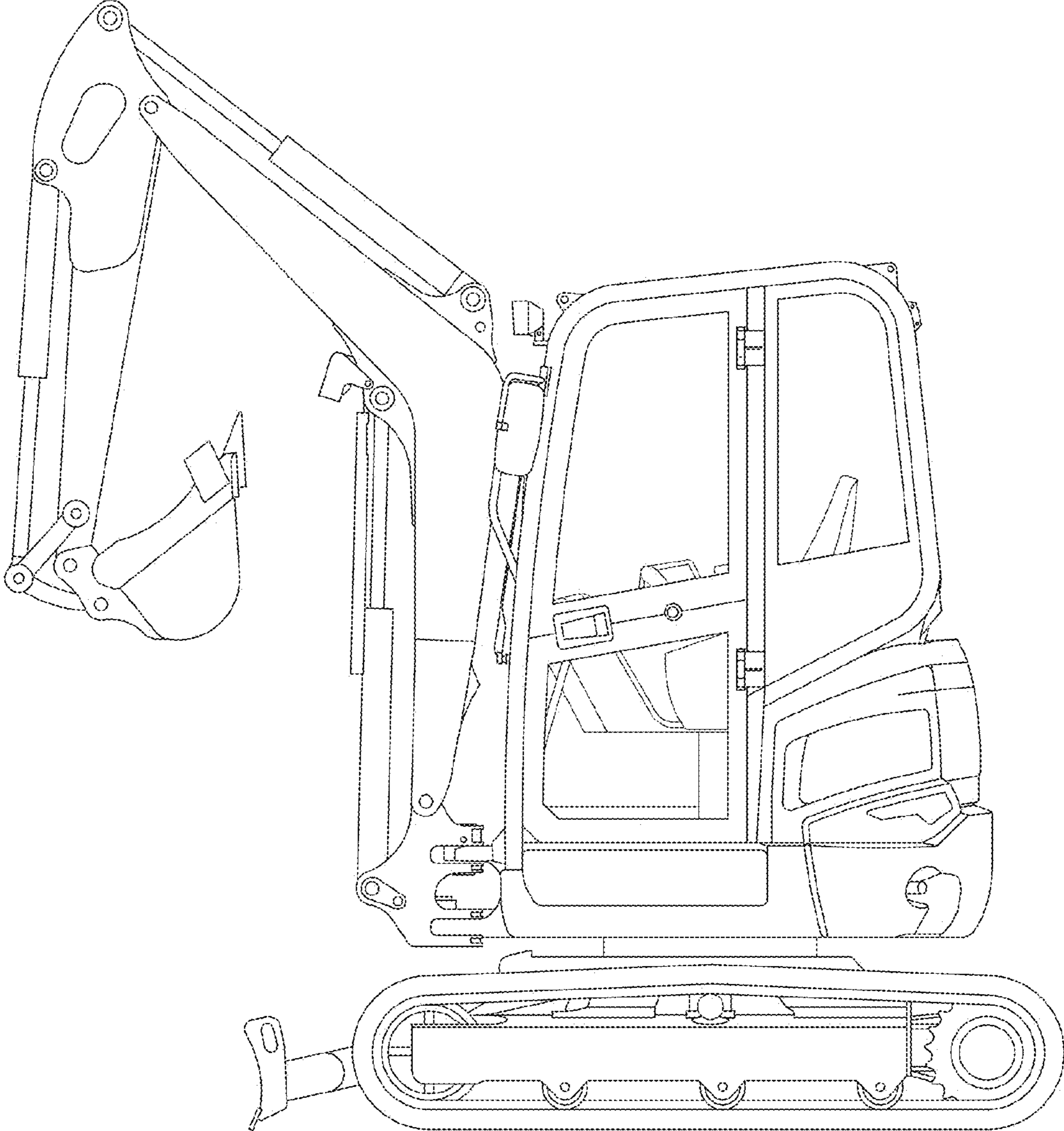


Fig. 2

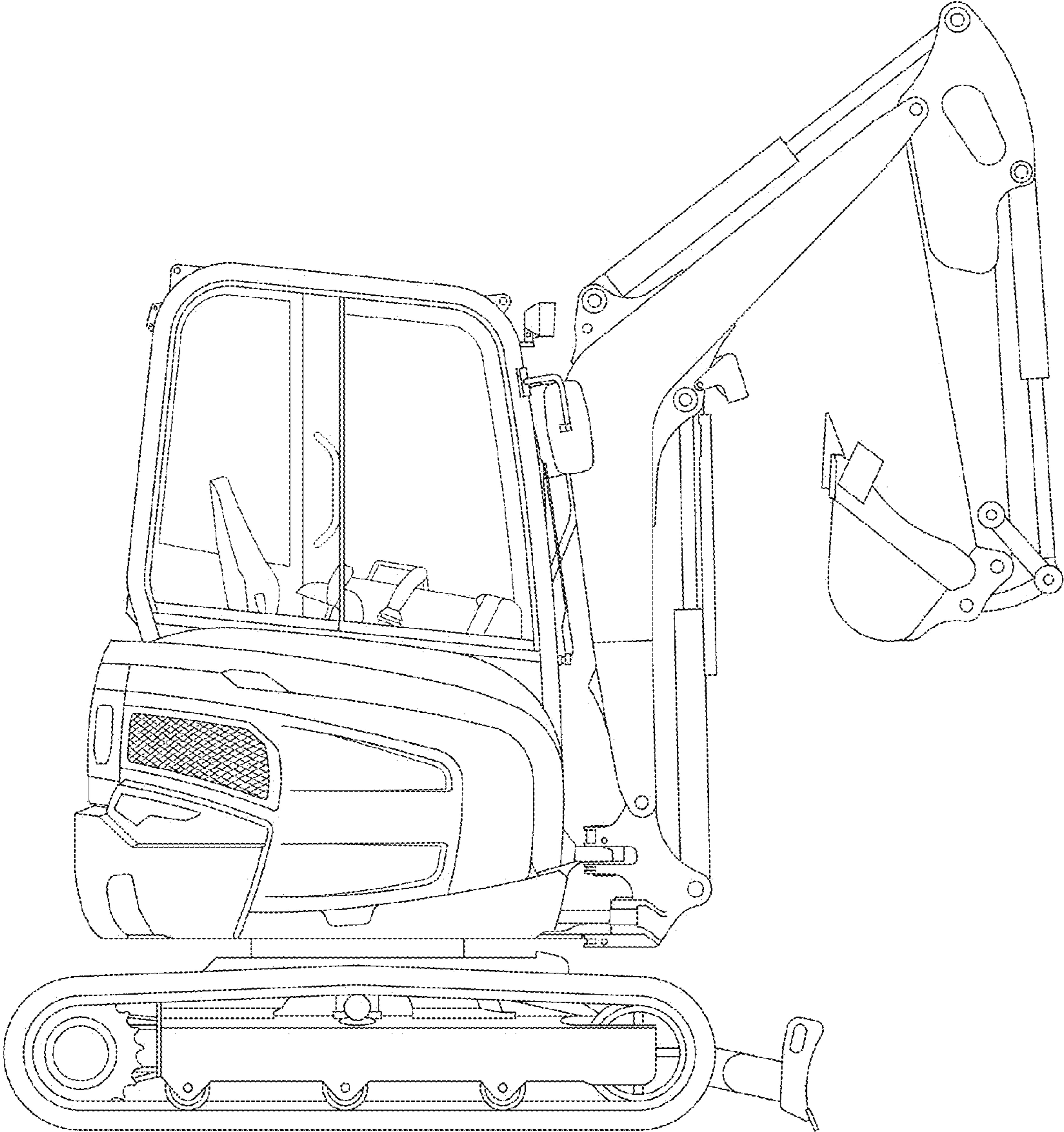


Fig. 3

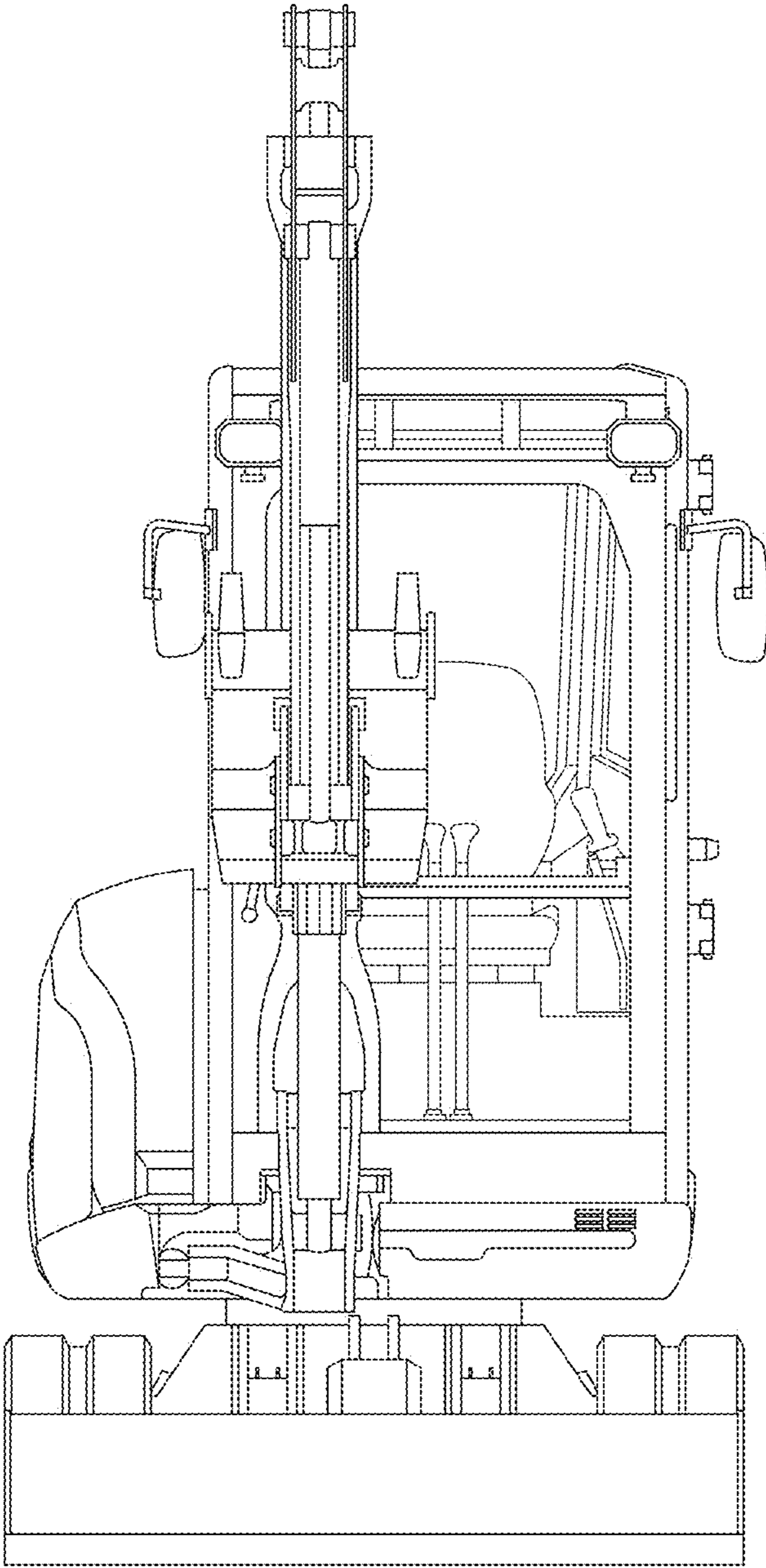


Fig. 4

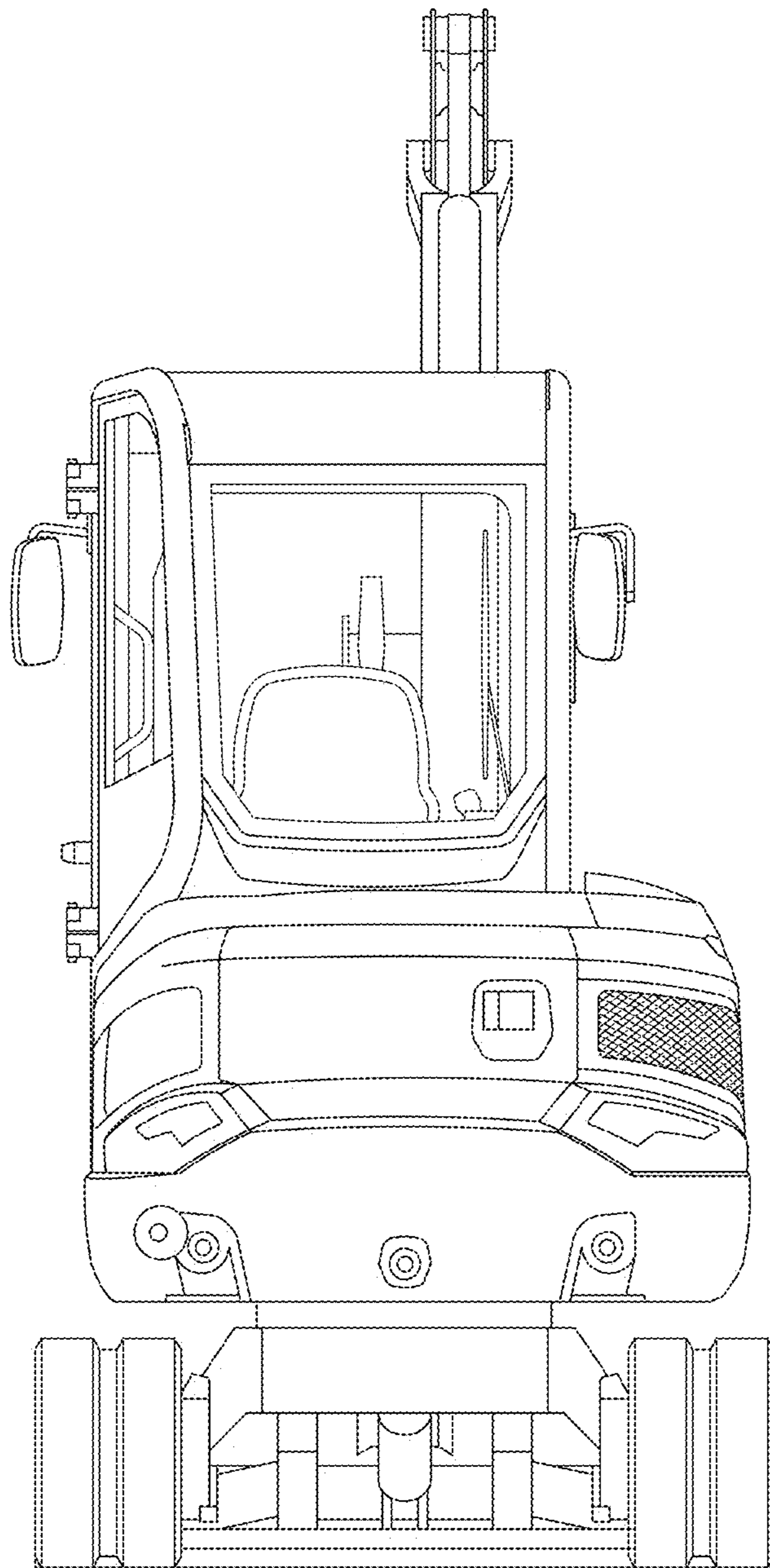


Fig. 5

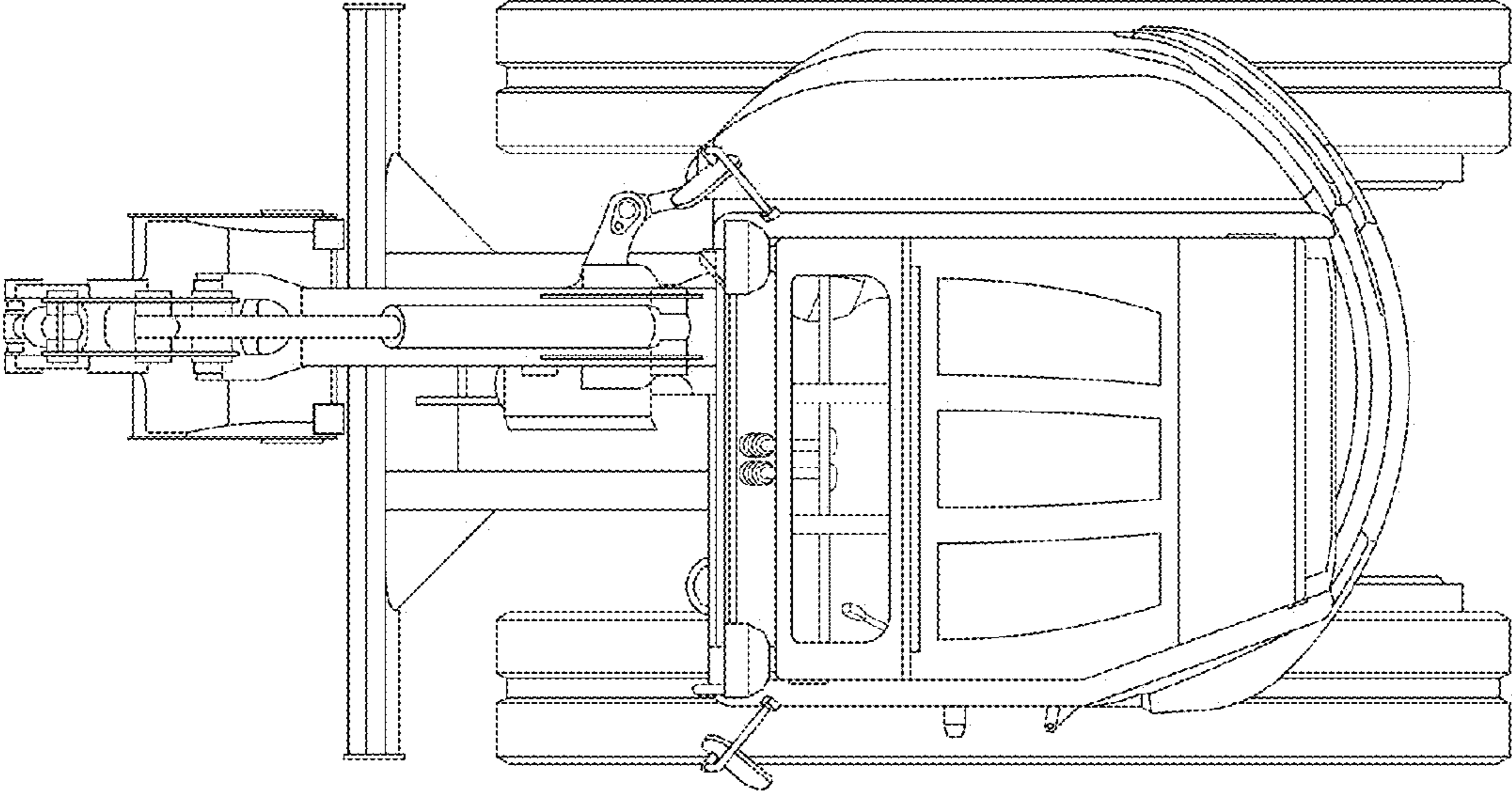


Fig. 6

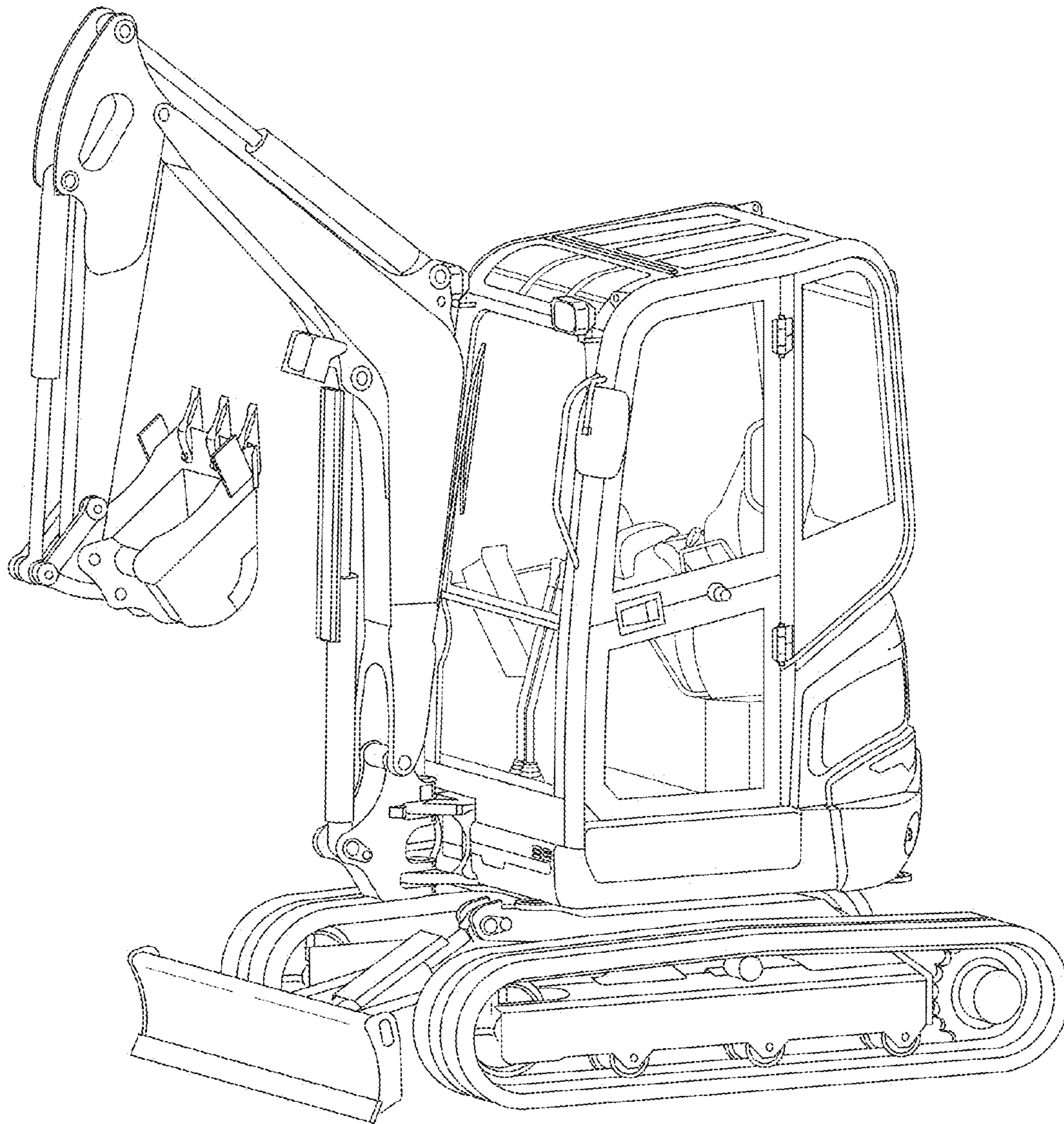


Fig. 7

