



US00D742933S

(12) **United States Design Patent**  
**Buxton et al.**

(10) **Patent No.:** **US D742,933 S**

(45) **Date of Patent:** **\*\* Nov. 10, 2015**

(54) **TRACK-TYPE LOADER**

(71) Applicant: **Caterpillar Inc.**, Peoria, IL (US)  
(72) Inventors: **Richard L. Buxton**, Herbeys (FR);  
**Arnaud Coste**, Le Pont de Claix (FR)  
(73) Assignee: **Caterpillar Inc.**, Peoria, IL (US)

(\*\*) Term: **14 Years**

(21) Appl. No.: **29/446,296**

(22) Filed: **Feb. 22, 2013**

(30) **Foreign Application Priority Data**

Aug. 23, 2012 (EM) ..... 001340848

(51) **LOC (10) Cl.** ..... **12-09**

(52) **U.S. Cl.**  
USPC ..... **D15/24; D15/22**

(58) **Field of Classification Search**  
USPC ..... D15/22-26; 180/89.1, 89.12, 89.13,  
180/89.16, 89.19, 89.18; 296/190.01,  
296/190.08, 190.04; 37/379; 414/660, 680,  
414/685

See application file for complete search history.

(56) **References Cited**

U.S. PATENT DOCUMENTS

4,220,215	A *	9/1980	Stark	.....	180/6.7
6,409,459	B1 *	6/2002	Ginn et al.	.....	414/685
D538,303	S *	3/2007	Kumagai et al.	.....	D15/24
D552,629	S *	10/2007	Kumagai et al.	.....	D15/24
D573,161	S *	7/2008	Betz et al.	.....	D15/25

\* cited by examiner

*Primary Examiner* — Robin V Webster

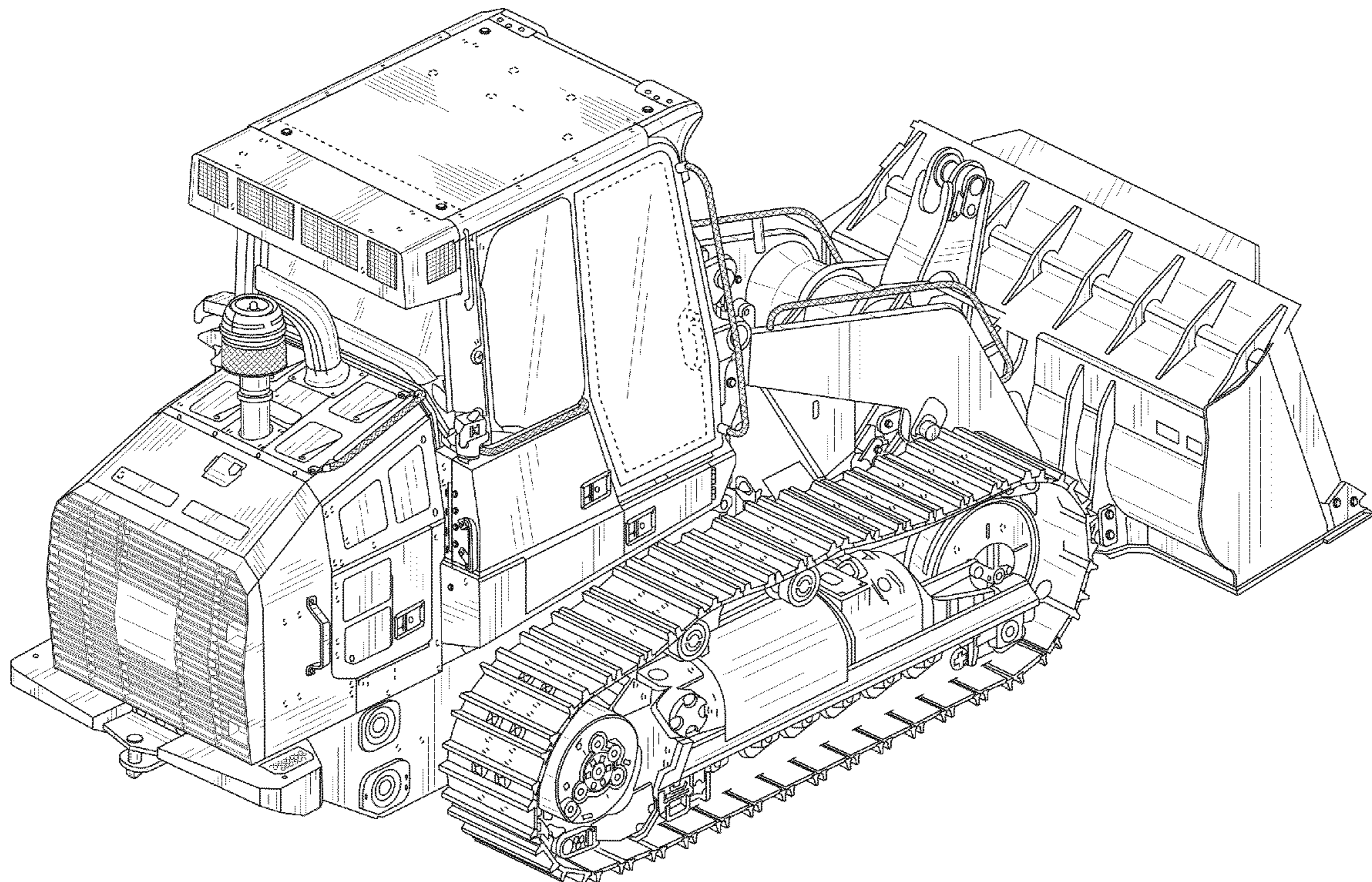
(57) **CLAIM**

The ornamental design for a track-type loader, as shown and described.

**DESCRIPTION**

FIG. 1 is a rear top perspective view of a track-type loader showing our new design;  
FIG. 2 is a front elevation view thereof;  
FIG. 3 is a right elevation view thereof;  
FIG. 4 is a left elevation view thereof;  
FIG. 5 is a rear elevation view thereof; and,  
FIG. 6 is a top plan view thereof.  
The bottom view of the track-type loader is not visible during ordinary use and forms no part of the claimed design.

**1 Claim, 6 Drawing Sheets**



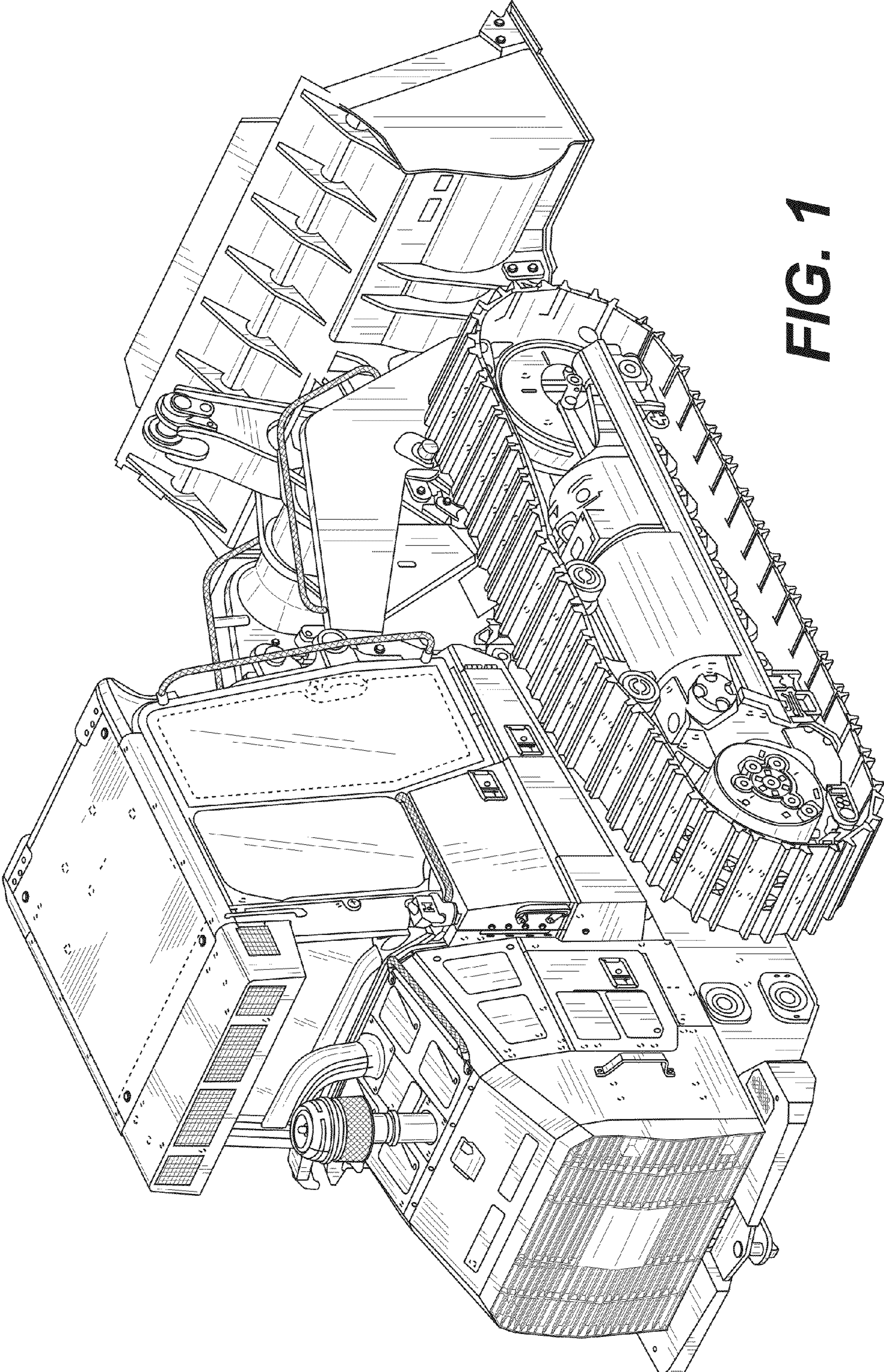
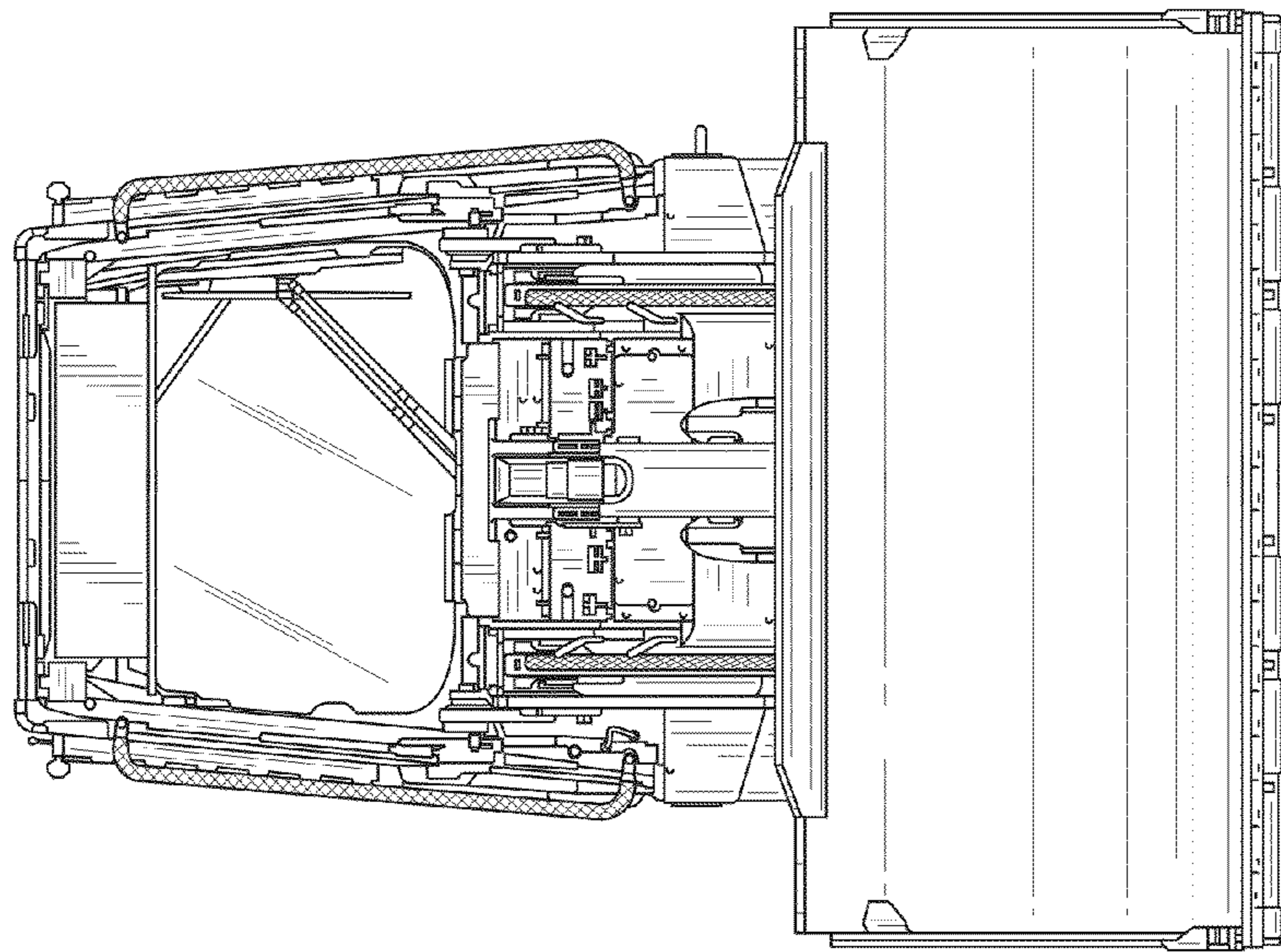
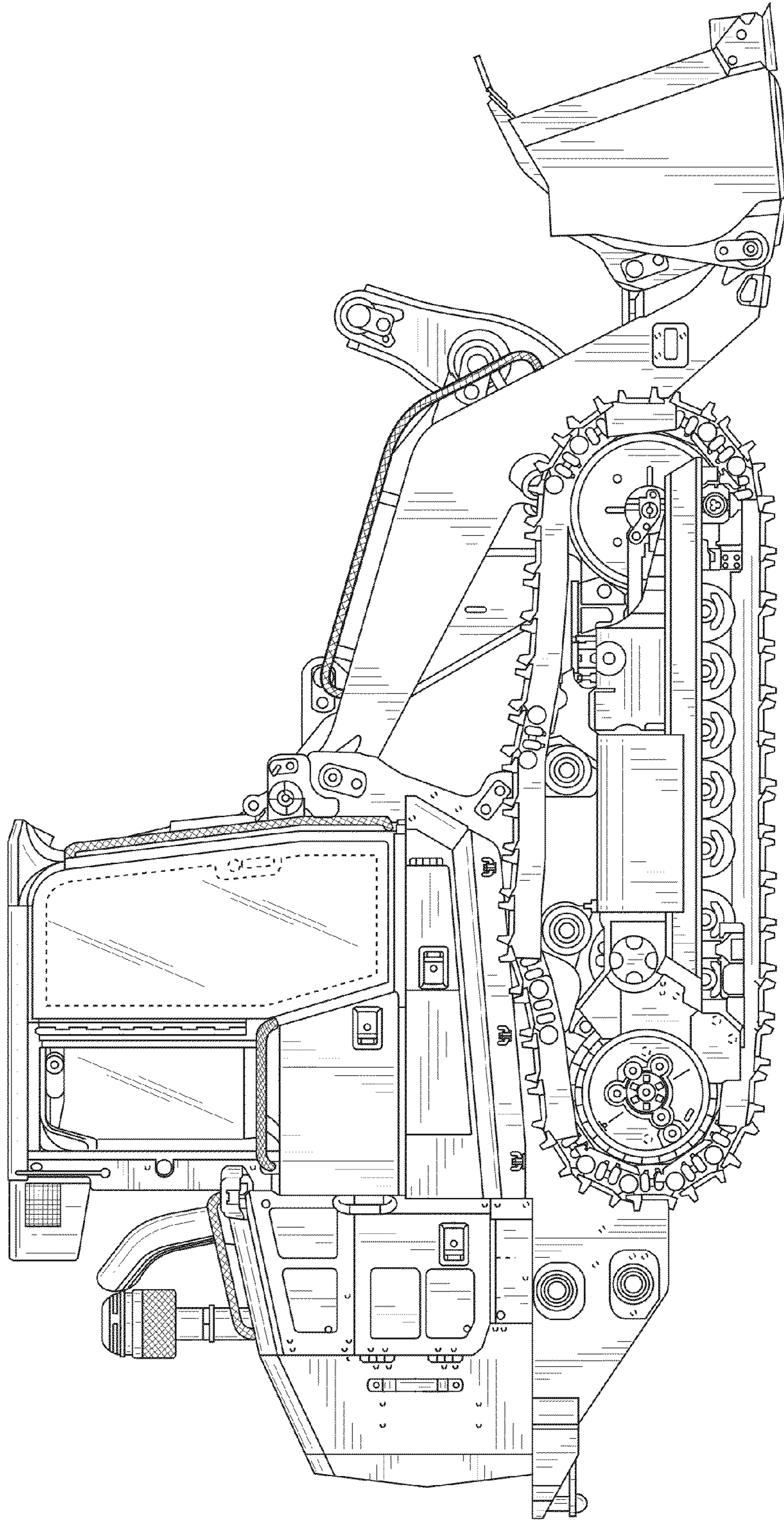


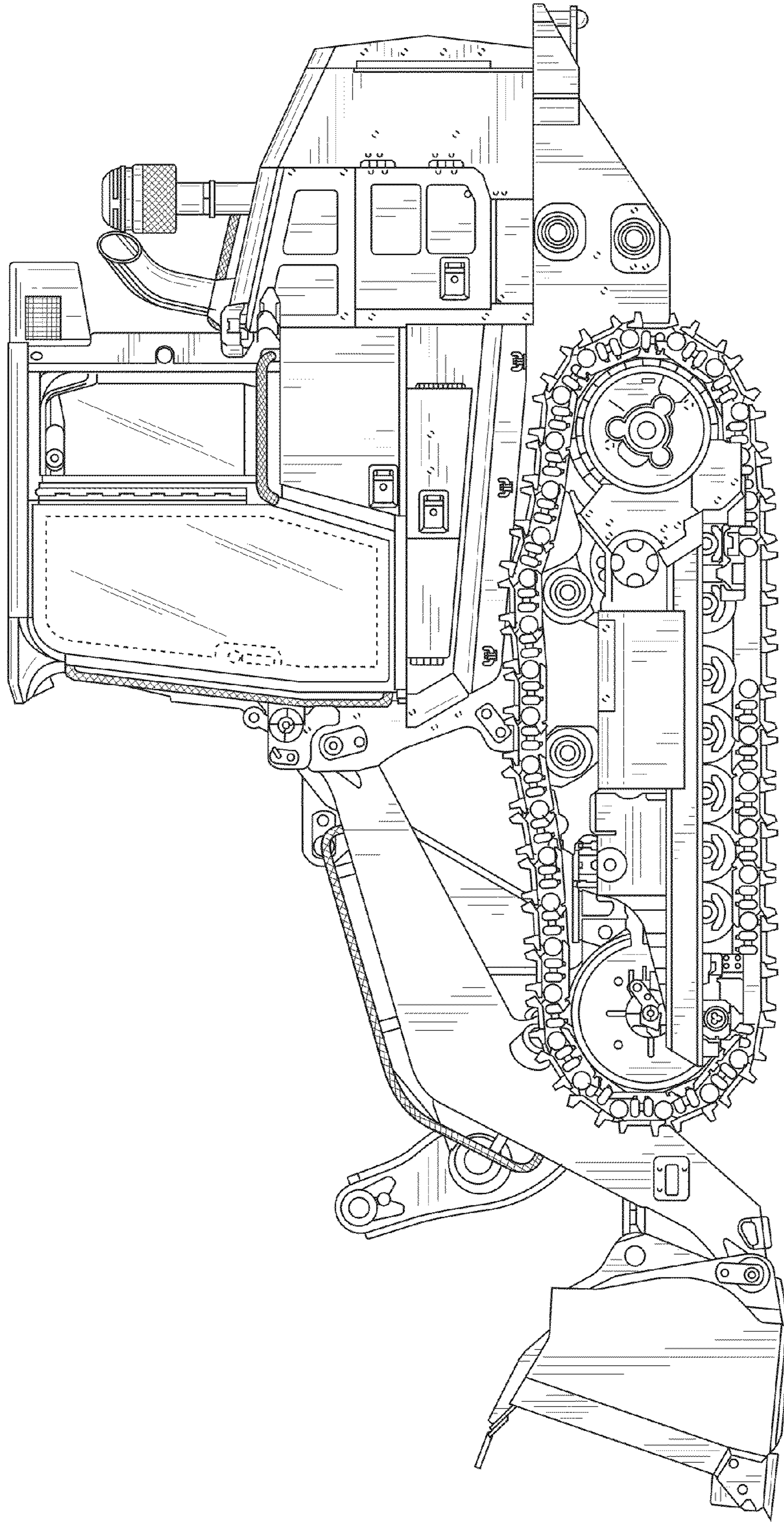
FIG. 1



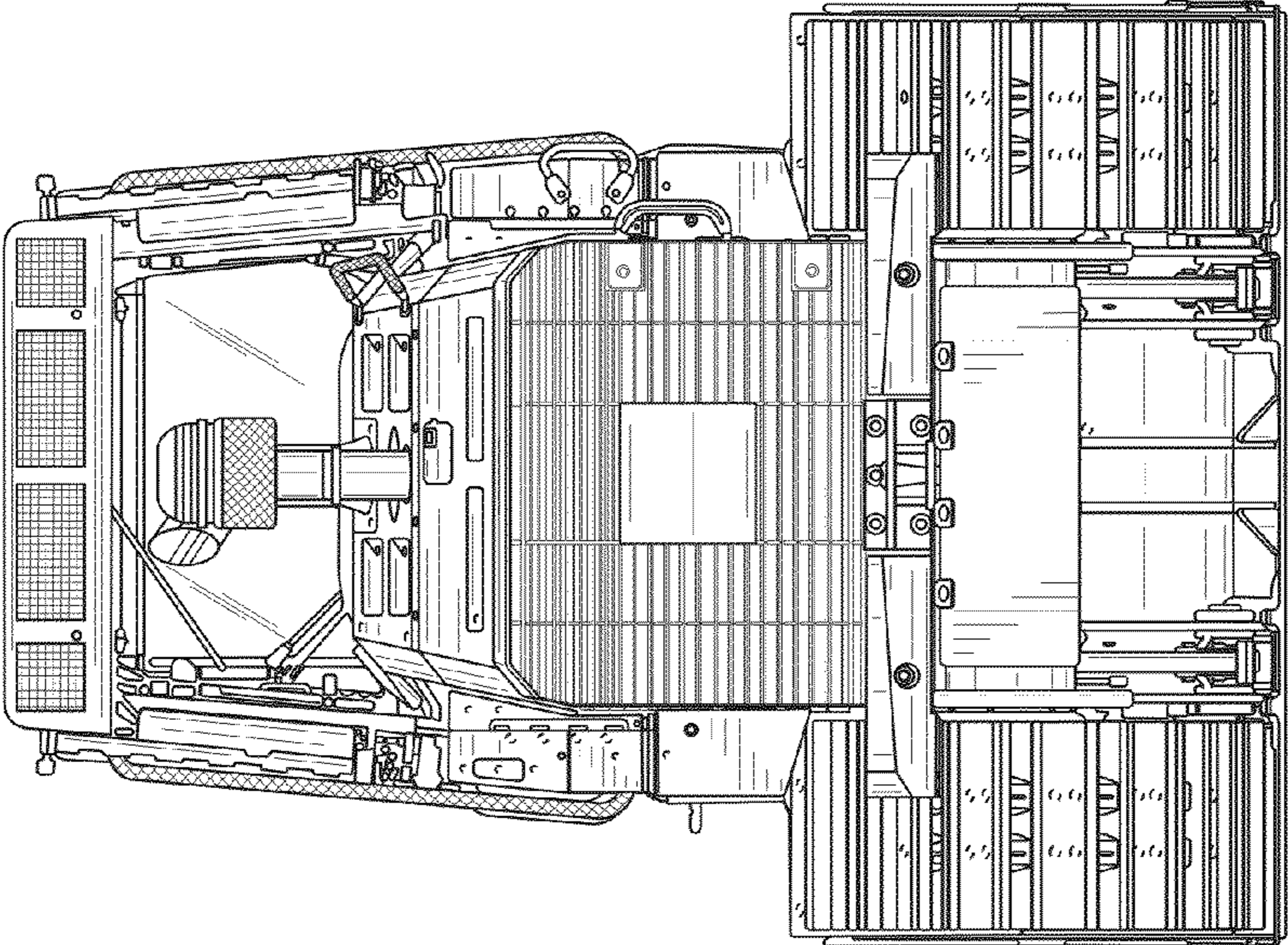
**FIG. 2**



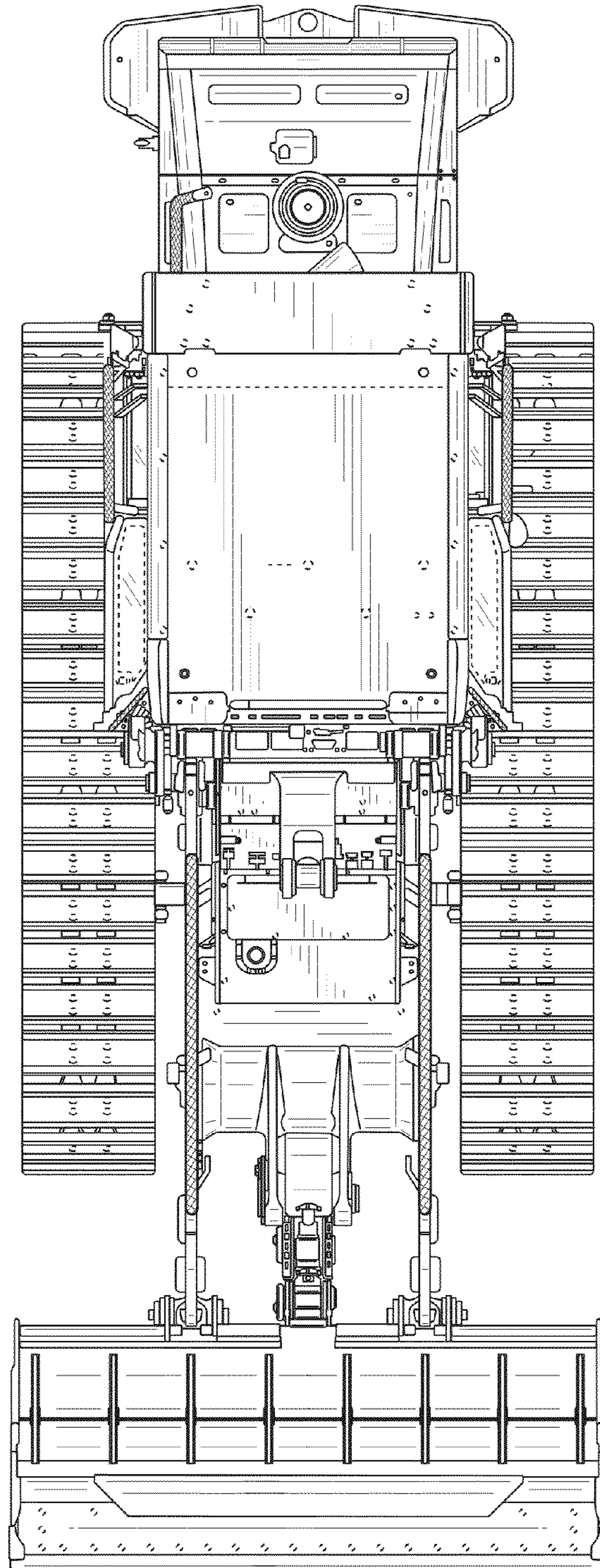
**FIG. 3**



**FIG. 4**



**FIG. 5**



**FIG. 6**