



US00D742930S

(12) **United States Design Patent**
Reichard

(10) **Patent No.:** **US D742,930 S**

(45) **Date of Patent:** **** Nov. 10, 2015**

(54) **PORTION OF MOWER**

(71) Applicant: **Kubota Corporation**, Osaka, Osaka (JP)

(72) Inventor: **Maxwell Reichard**, Sakai (JP)

(73) Assignee: **KUBOTA CORPORATION**, Osaka (JP)

(**) Term: **14 Years**

(21) Appl. No.: **29/463,907**

(22) Filed: **Apr. 2, 2014**

(51) **LOC (10) Cl.** **15-03**

(52) **U.S. Cl.**
USPC **D15/17**

(58) **Field of Classification Search**

USPC D15/10, 11, 14, 15, 17, 27, 28; 56/6,
56/13.3, 13.4, 15.8, 16.7, 17.1, 201, 202,
56/255, 320.2, 320.1, 16.9, 17.5

CPC A01D 34/005; A01D 34/00; A01D 34/81;
A01D 2101/00; A01D 67/00; G06Q 30/0201

See application file for complete search history.

(56) **References Cited**

U.S. PATENT DOCUMENTS

5,133,176	A *	7/1992	Baumann et al.	56/17.4
5,765,346	A *	6/1998	Benter et al.	56/2
D424,071	S *	5/2000	Bickford et al.	D15/17
6,192,666	B1 *	2/2001	Sugden et al.	56/320.2
D445,432	S *	7/2001	Bickford	D15/27
7,146,791	B2 *	12/2006	Benway et al.	56/320.2
D547,332	S *	7/2007	Degelman et al.	D15/17
7,543,435	B2	6/2009	Imanishi et al.	
8,156,722	B2	4/2012	Sugio et al.	
D719,981	S *	12/2014	Miller	D15/17
2004/0237492	A1 *	12/2004	Samejima et al.	56/320.1
2005/0198933	A1 *	9/2005	Klein et al.	56/320.1

* cited by examiner

Primary Examiner — Mark Goodwin

(74) *Attorney, Agent, or Firm* — Masuvalley & Partners

(57) **CLAIM**

The ornamental design for a portion of mower, as shown and described.

DESCRIPTION

FIG. 1 is a perspective view of the portion of mower according to the invention;

FIG. 2 is another perspective view of the portion of mower of FIG. 1;

FIG. 3 is a front elevation view of the portion of mower of FIG. 1;

FIG. 4 is a rear elevation view of the portion of mower of FIG. 1;

FIG. 5 is a left side elevation view of the portion of mower of FIG. 1;

FIG. 6 is a right side elevation view of the portion of mower of FIG. 1;

FIG. 7 is a top plan view of the portion of mower of FIG. 1;

FIG. 8 is a bottom plan view of the portion of mower of FIG. 1;

FIG. 9 is a bottom plan view of another embodiment of the portion of mower of FIG. 1;

FIG. 10 is a close-up perspective view of a part of the mower shown in FIG. 8;

FIG. 11 is an enlarged perspective view of the part of the mower illustrated in FIG. 10;

FIG. 12 is close-up perspective view of a part of the mower of FIG. 8; and,

FIG. 13 is an enlarged perspective view of the part of the mower illustrated in FIG. 12.

The broken line disclosure, as well as line shading in parts of the drawings are included for the purpose of illustrating use and environment and form no part of the claimed design.

1 Claim, 13 Drawing Sheets

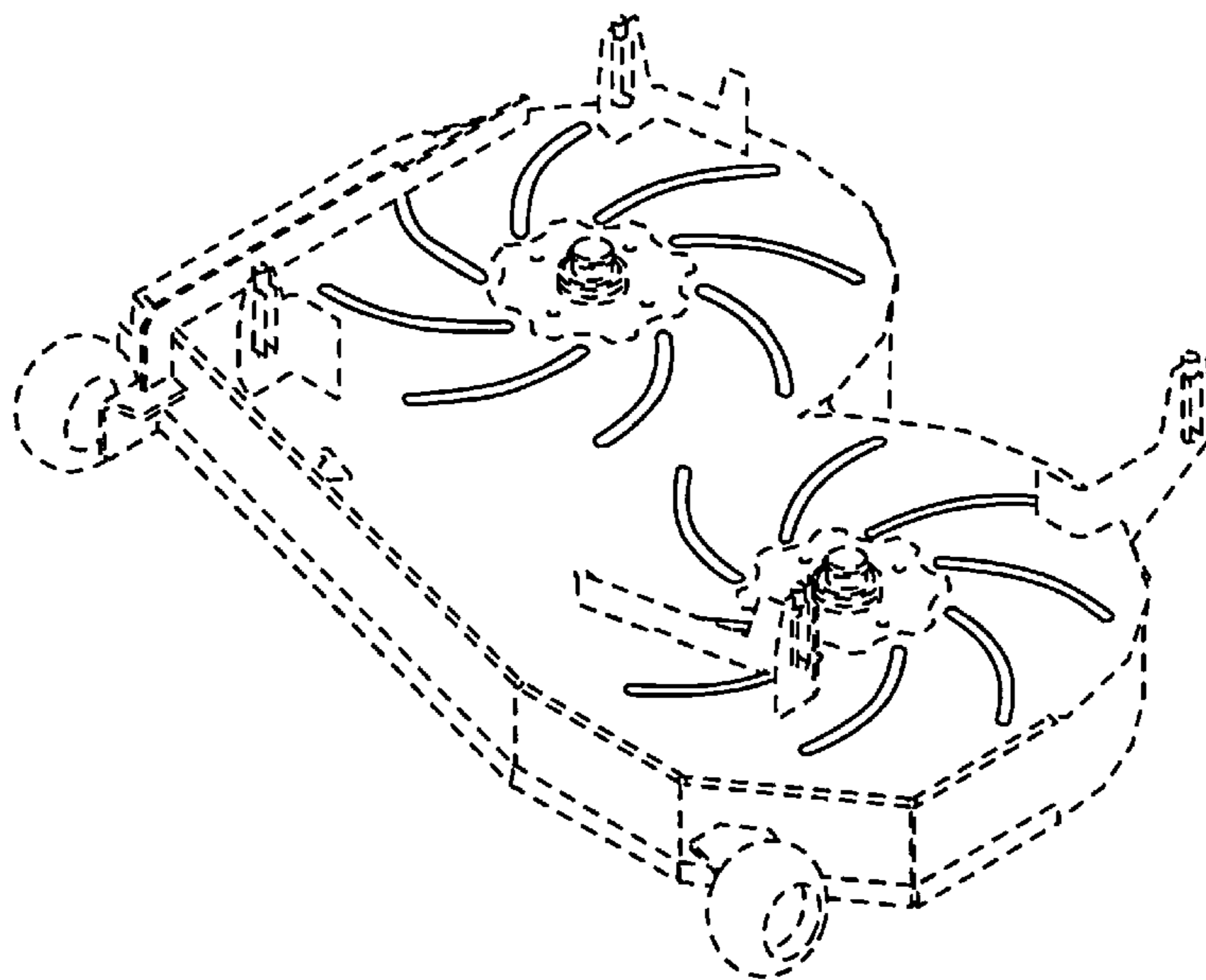


FIG. 1

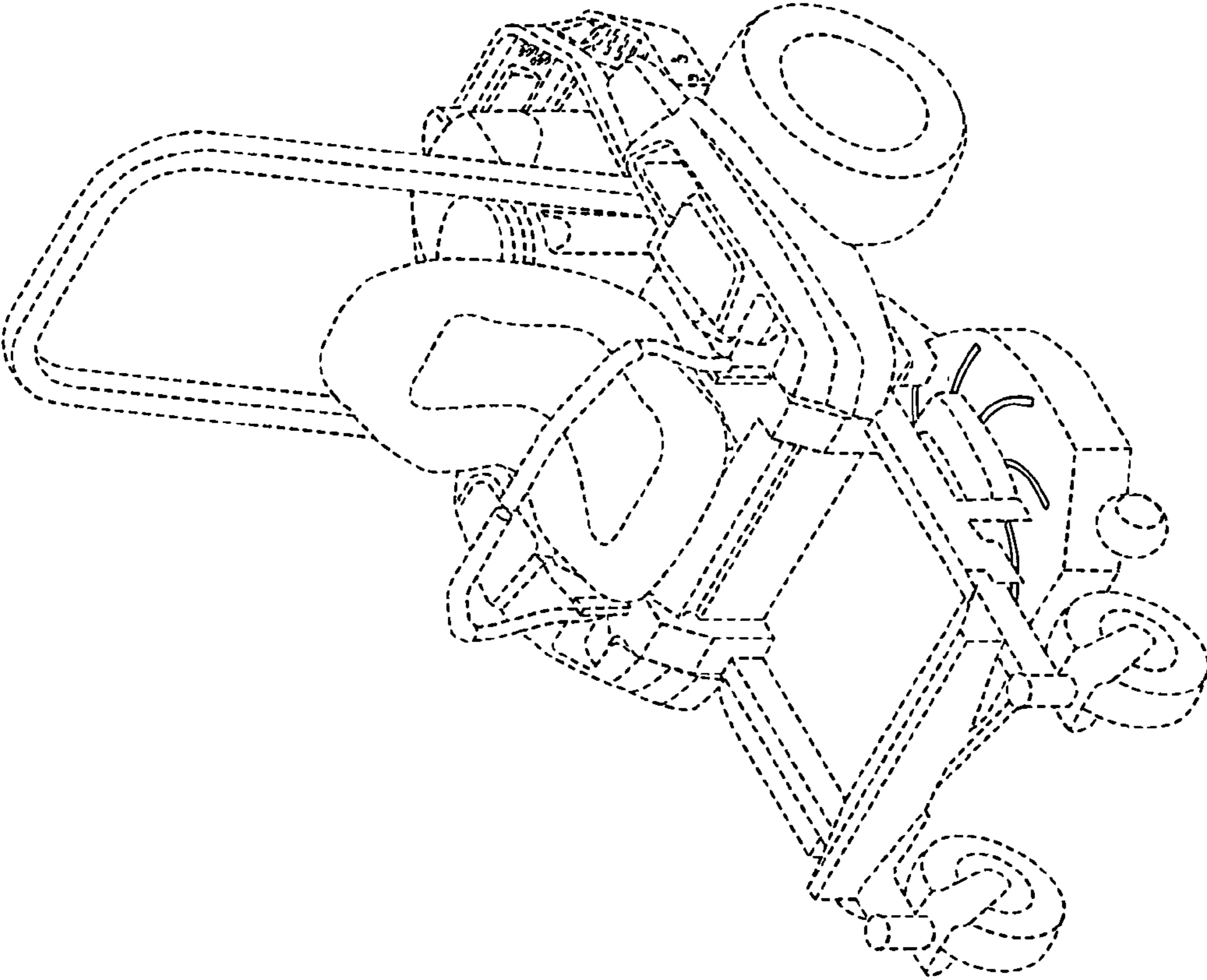


FIG. 2

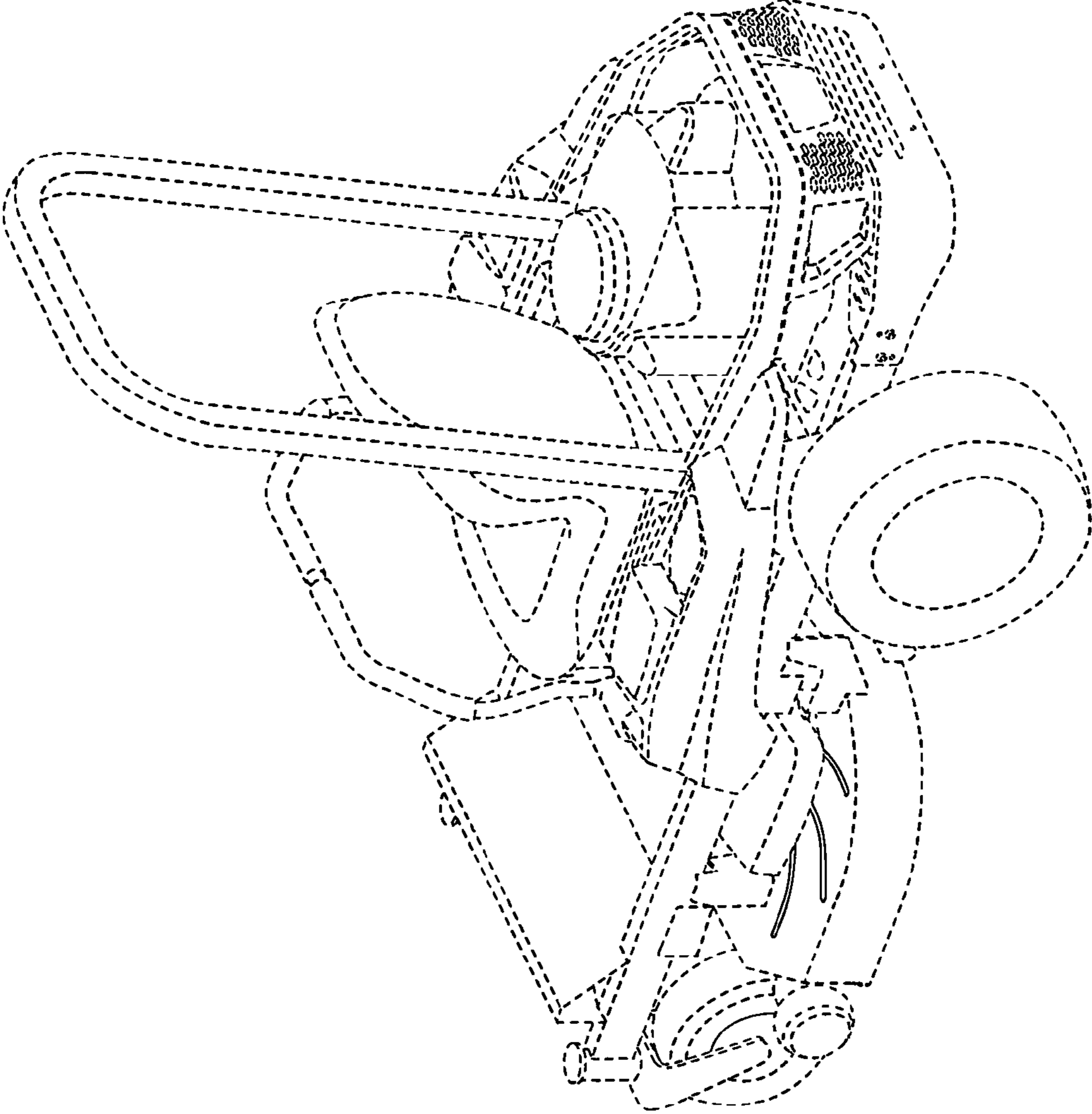


FIG. 3

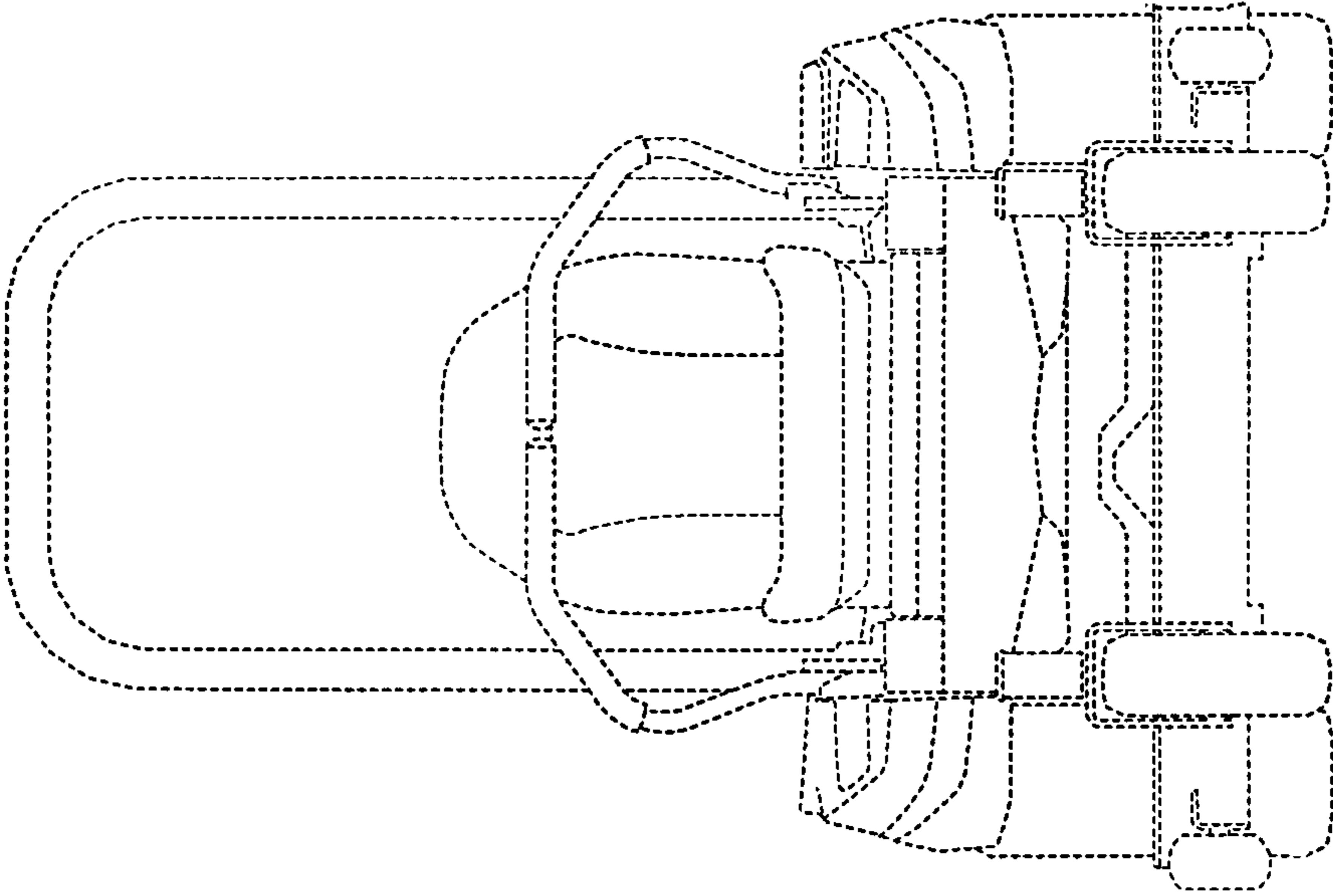


FIG. 4

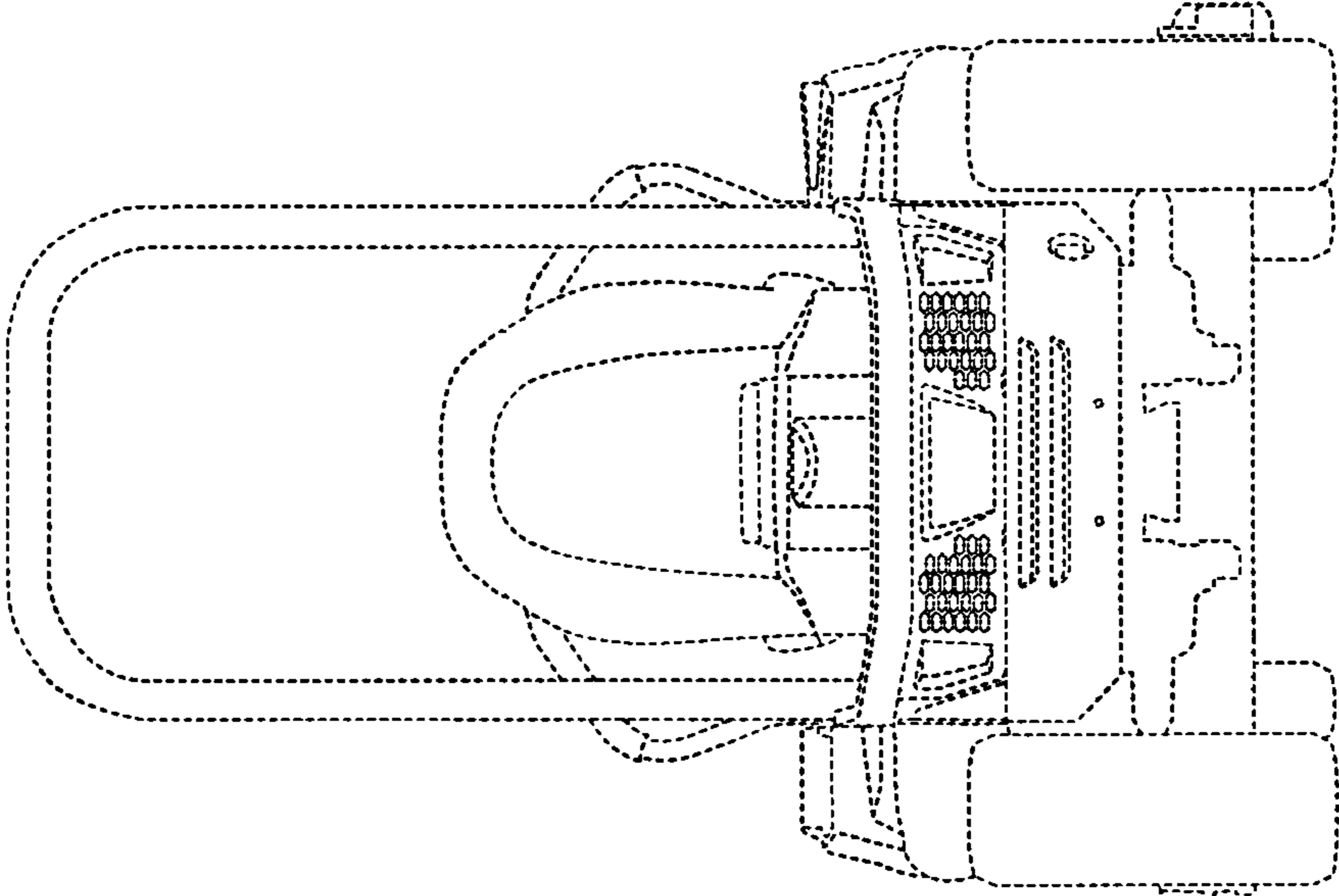


FIG. 5

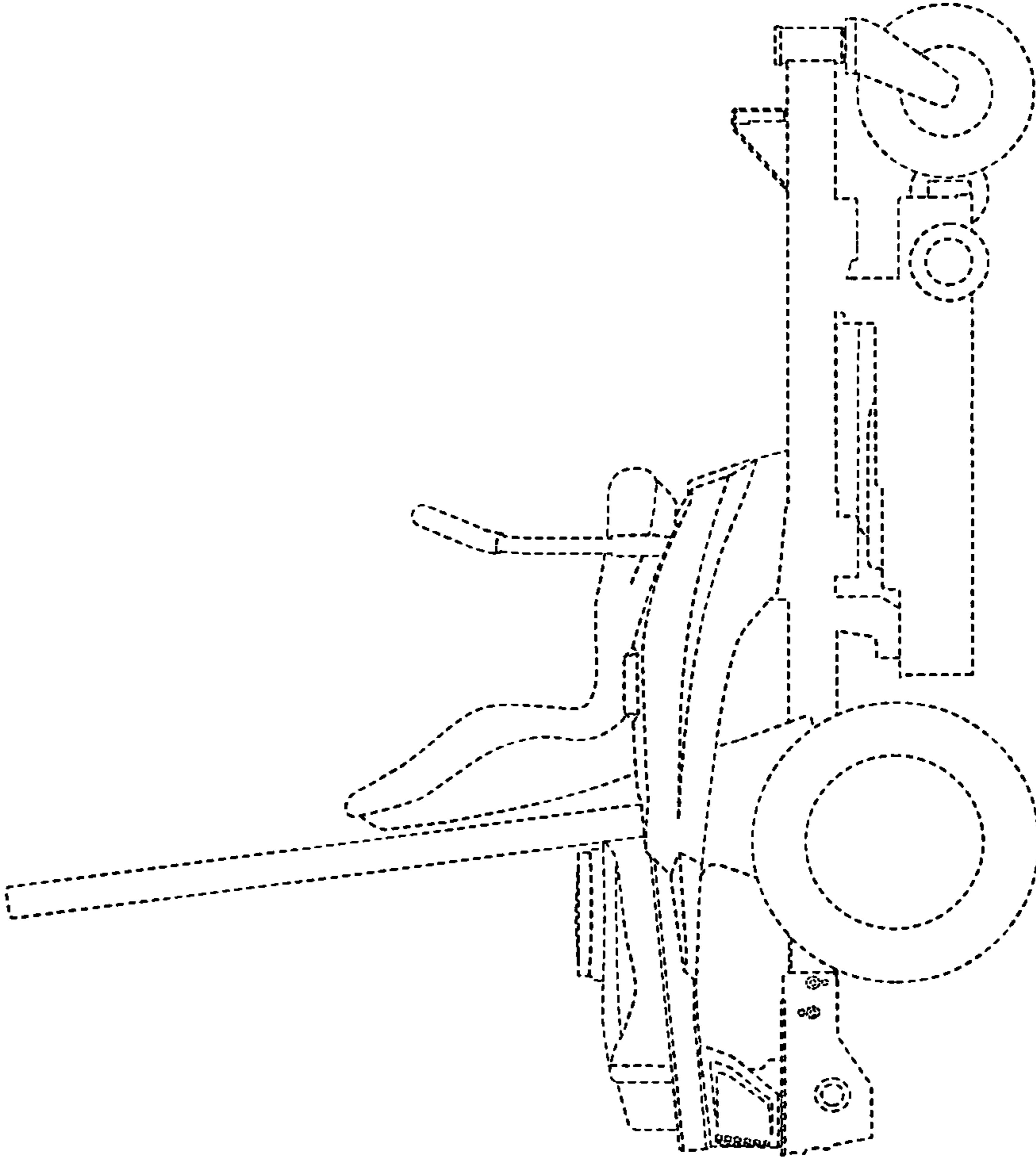


FIG. 6

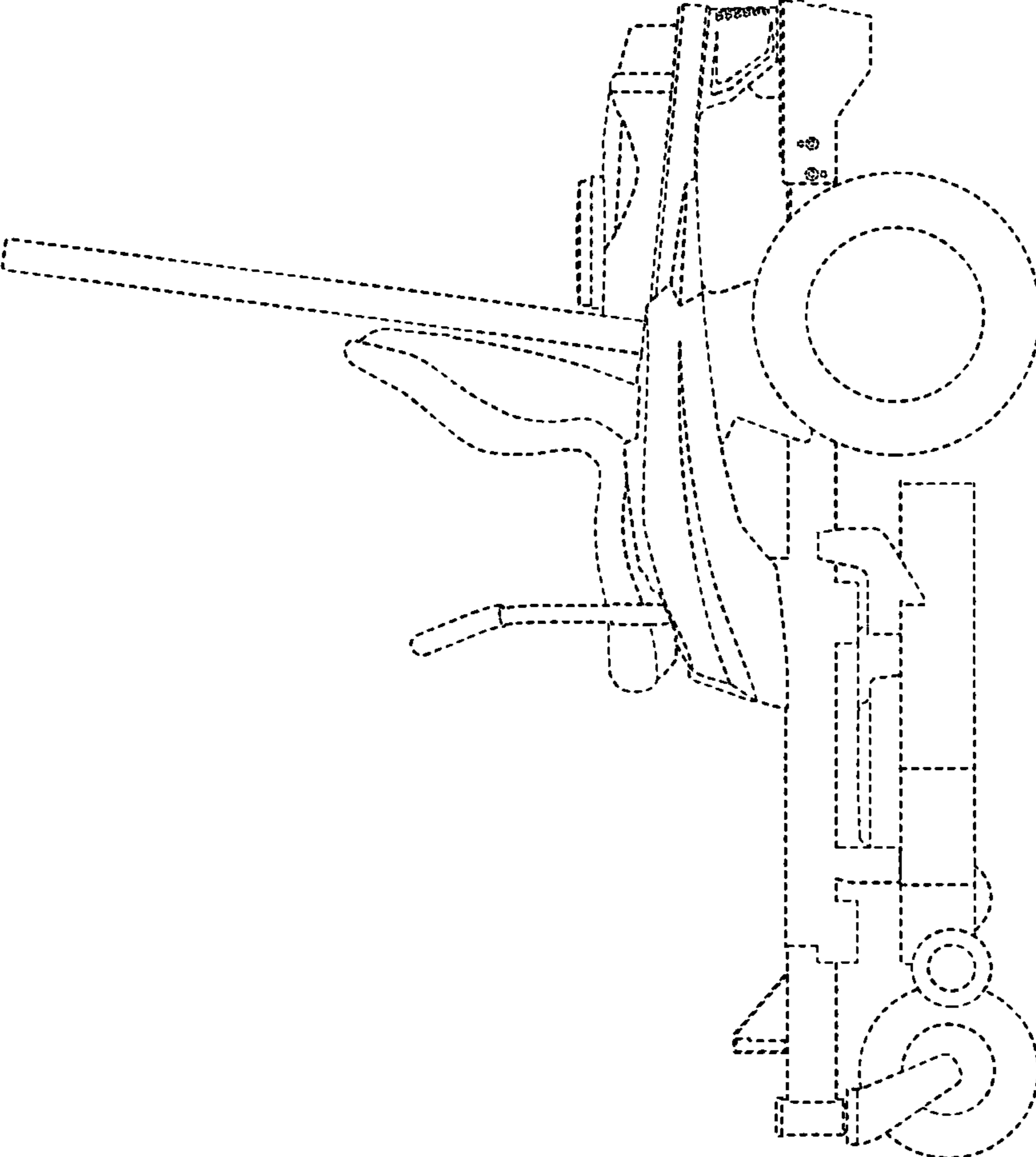


FIG. 7

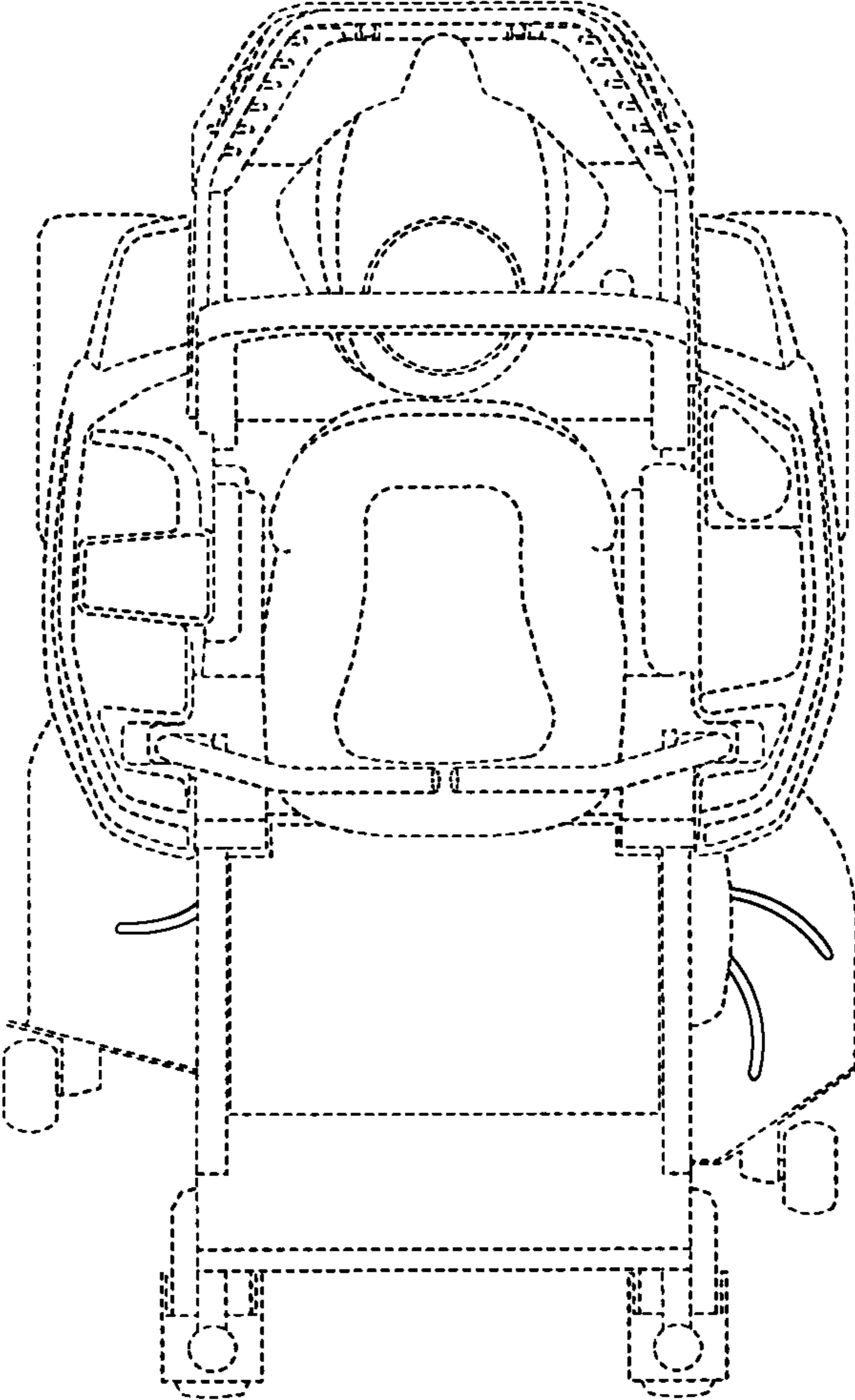


FIG. 8

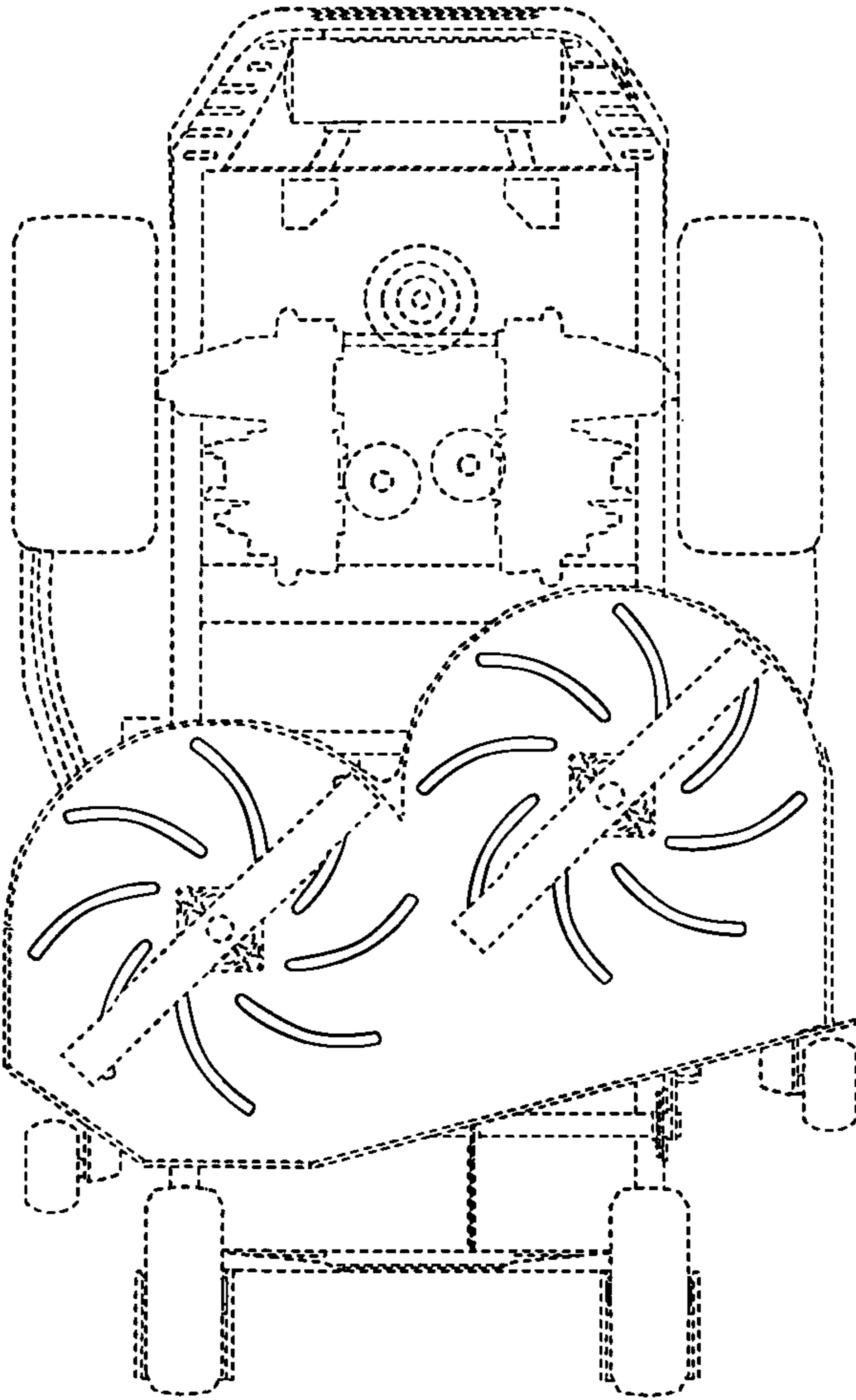


FIG. 9

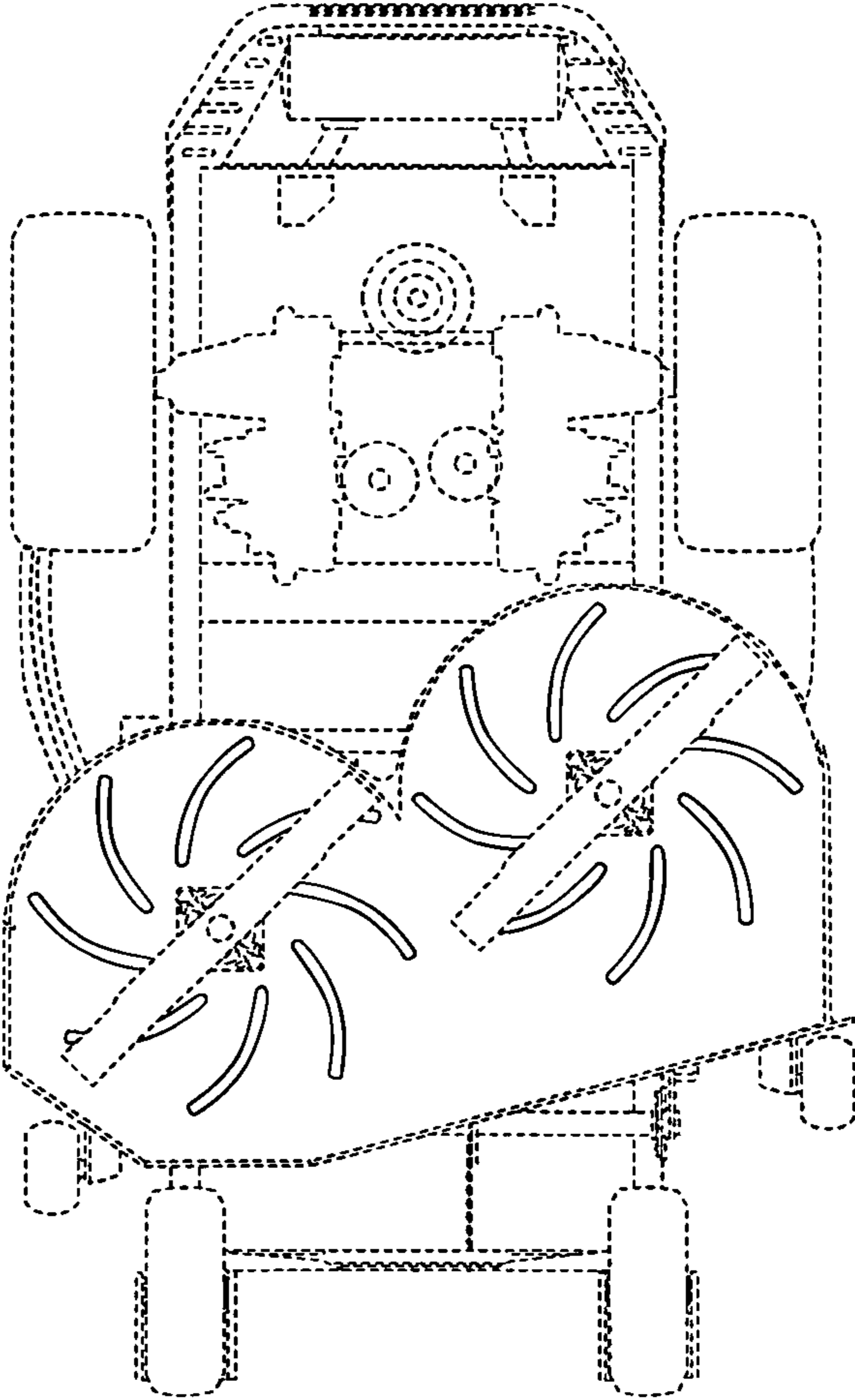


FIG. 10

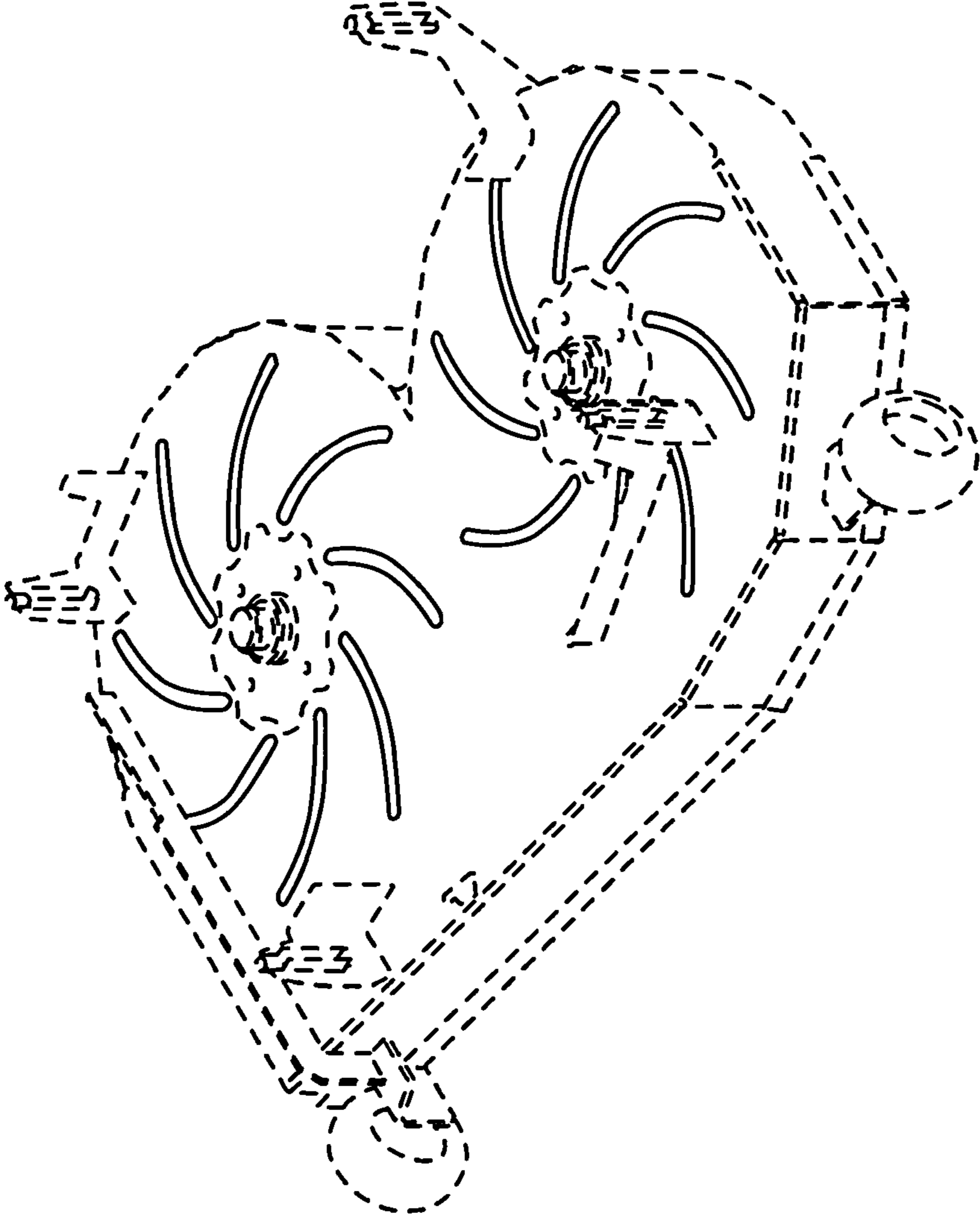


FIG. 11

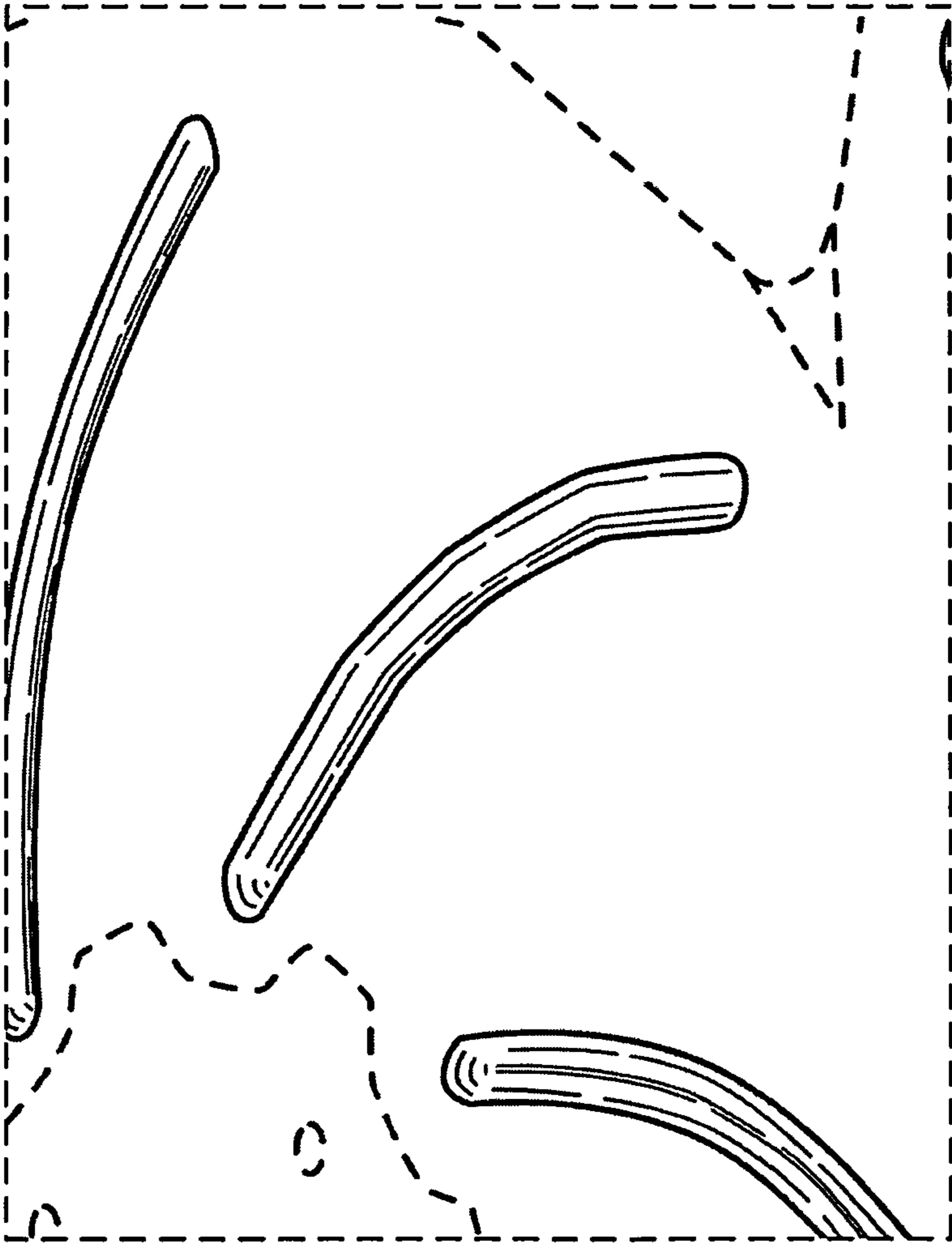


FIG. 12

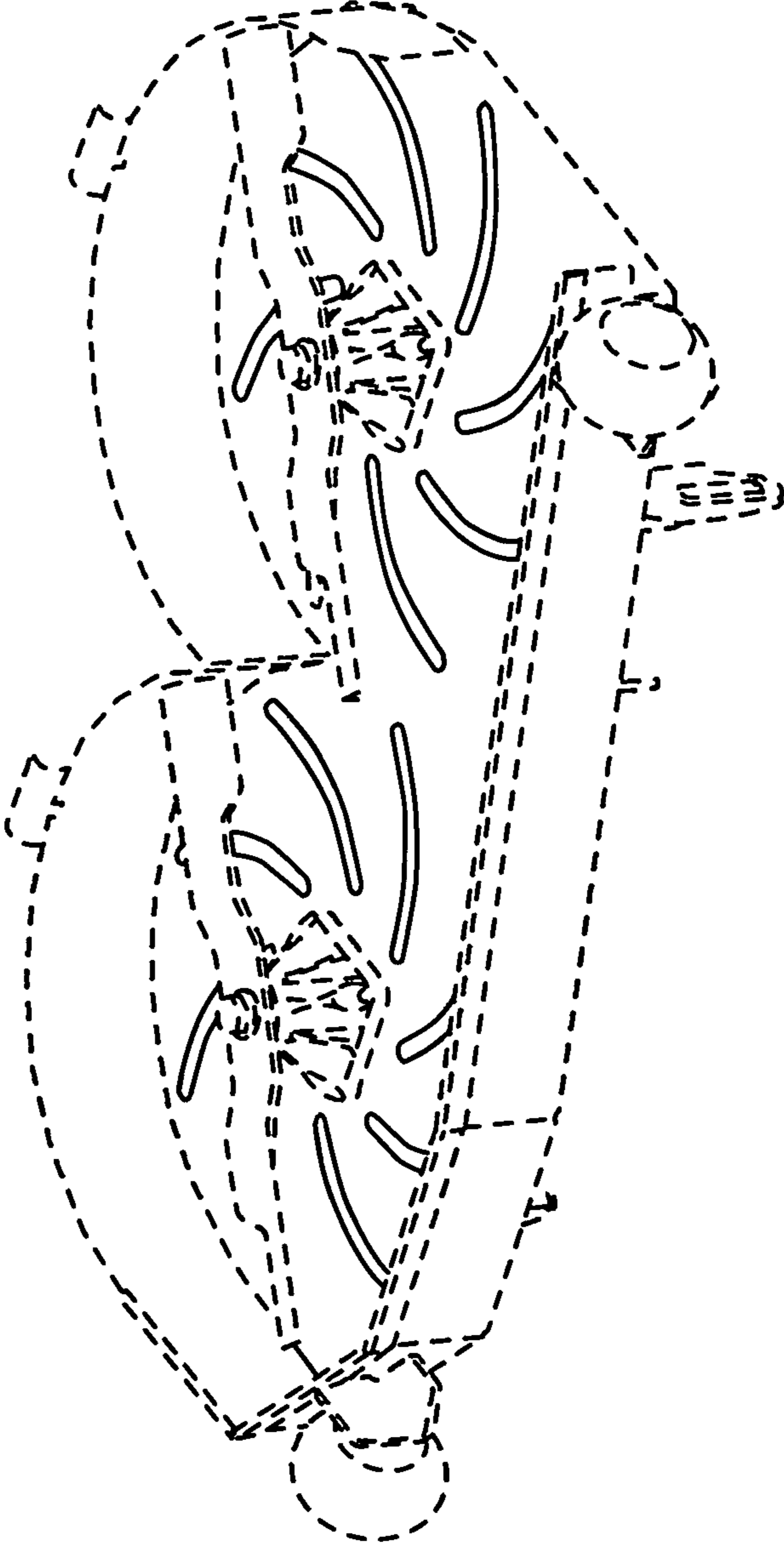


FIG. 13

