



US00D742928S

(12) **United States Design Patent**  
**West**

(10) **Patent No.:** **US D742,928 S**

(45) **Date of Patent:** **\*\* Nov. 10, 2015**

(54) **PERISTALTIC PUMP CAP**

(71) Applicant: **Fenwal, Inc.**, Lake Zurich, IL (US)

(72) Inventor: **Richard L. West**, Lake Villa, IL (US)

(\*\*) Term: **14 Years**

(21) Appl. No.: **29/521,497**

(22) Filed: **Mar. 24, 2015**

(51) **LOC (10) Cl.** ..... **15-02**

(52) **U.S. Cl.**  
USPC ..... **D15/7**

(58) **Field of Classification Search**  
USPC ..... D15/7-9; D23/231, 232, 225; 417/60,  
417/235, 265, 321, 355, 358, 363, 359,  
417/410.1, 415-416, 405, 900, 477.1,  
417/477.8; 60/408, 412; 184/26-37;  
415/140-147; 123/495, 509;  
137/565.34; D24/216  
CPC ..... F02M 37/04; F02M 37/14; F04B 43/12;  
F04B 43/08

See application file for complete search history.

(56) **References Cited**

**U.S. PATENT DOCUMENTS**

3,922,119	A *	11/1975	Rosenquist	418/45
4,214,855	A *	7/1980	Gerritsen	417/477.8
4,515,536	A *	5/1985	van Os	417/394
5,088,522	A *	2/1992	Rath et al.	138/119
5,249,938	A *	10/1993	Hall	417/477.3
5,375,984	A *	12/1994	Wehling	417/477.1
5,466,133	A *	11/1995	Tuck, Jr.	418/2
D373,365	S *	9/1996	Schoenmeyr	D15/7

D400,211	S *	10/1998	Thallemer et al.	D15/7
D404,040	S *	1/1999	Suthmann	D15/7
7,591,639	B2 *	9/2009	Kent	417/477.8
D637,209	S *	5/2011	Wessol	D15/7
8,747,084	B2 *	6/2014	Richardson et al.	417/477.3
D714,459	S *	9/2014	Develon	D24/216
8,905,730	B2 *	12/2014	Ashburn	417/477.1
D723,063	S *	2/2015	Edler et al.	D15/7

\* cited by examiner

*Primary Examiner* — Ralf Seifert

(74) *Attorney, Agent, or Firm* — Hanna Yoon; Scott M. Day

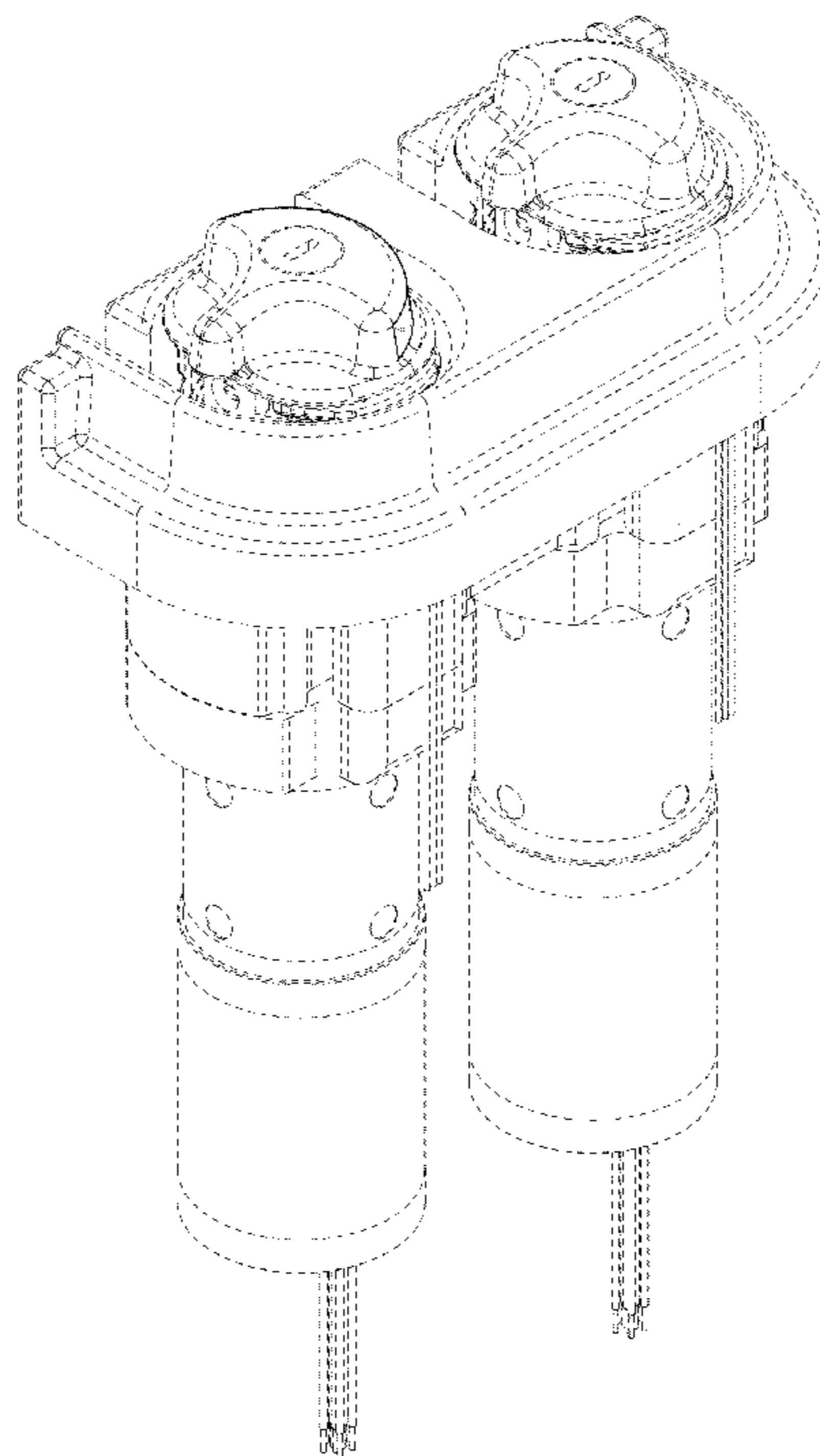
(57) **CLAIM**

The ornamental design for the peristaltic pump cap, as shown and described.

**DESCRIPTION**

FIG. 1 is a front, left perspective view of a peristaltic pump cap, shown in its environment;  
FIG. 2 is a back, left perspective view of the peristaltic pump cap of FIG. 1;  
FIG. 3 is a side, left view of the peristaltic pump cap of FIG. 1;  
FIG. 4 is a side, right view of the peristaltic pump cap of FIG. 1;  
FIG. 5 is a back view of the peristaltic pump cap of FIG. 1;  
FIG. 6 is a front view of the peristaltic pump cap of FIG. 1;  
FIG. 7 is a top view of the peristaltic pump cap of FIG. 1; and,  
FIG. 8 is a bottom view of the peristaltic pump cap of FIG. 1.  
Broken line illustration of structure in the drawing is not part of the design sought to be patented.

**1 Claim, 6 Drawing Sheets**



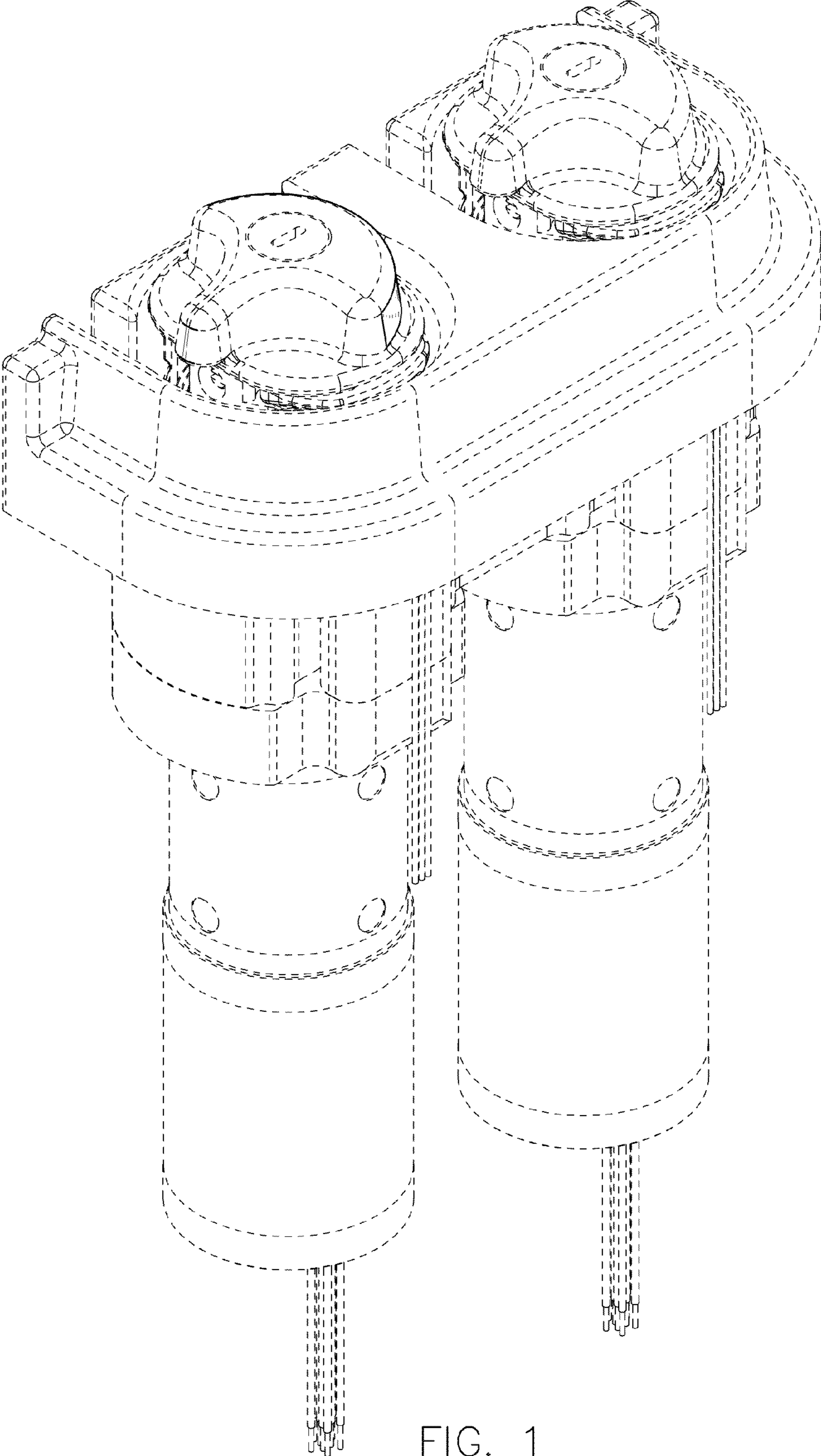


FIG. 1

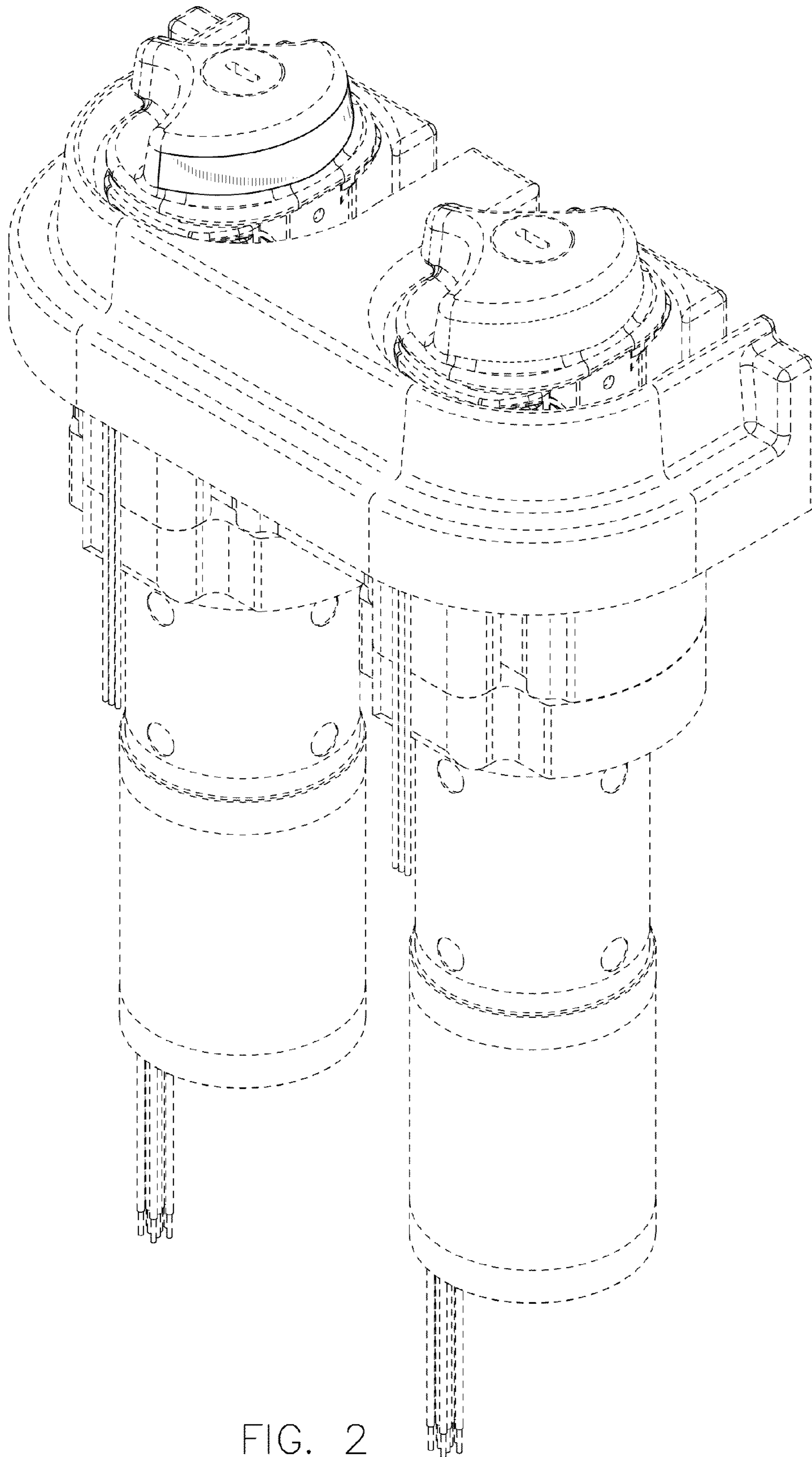


FIG. 2

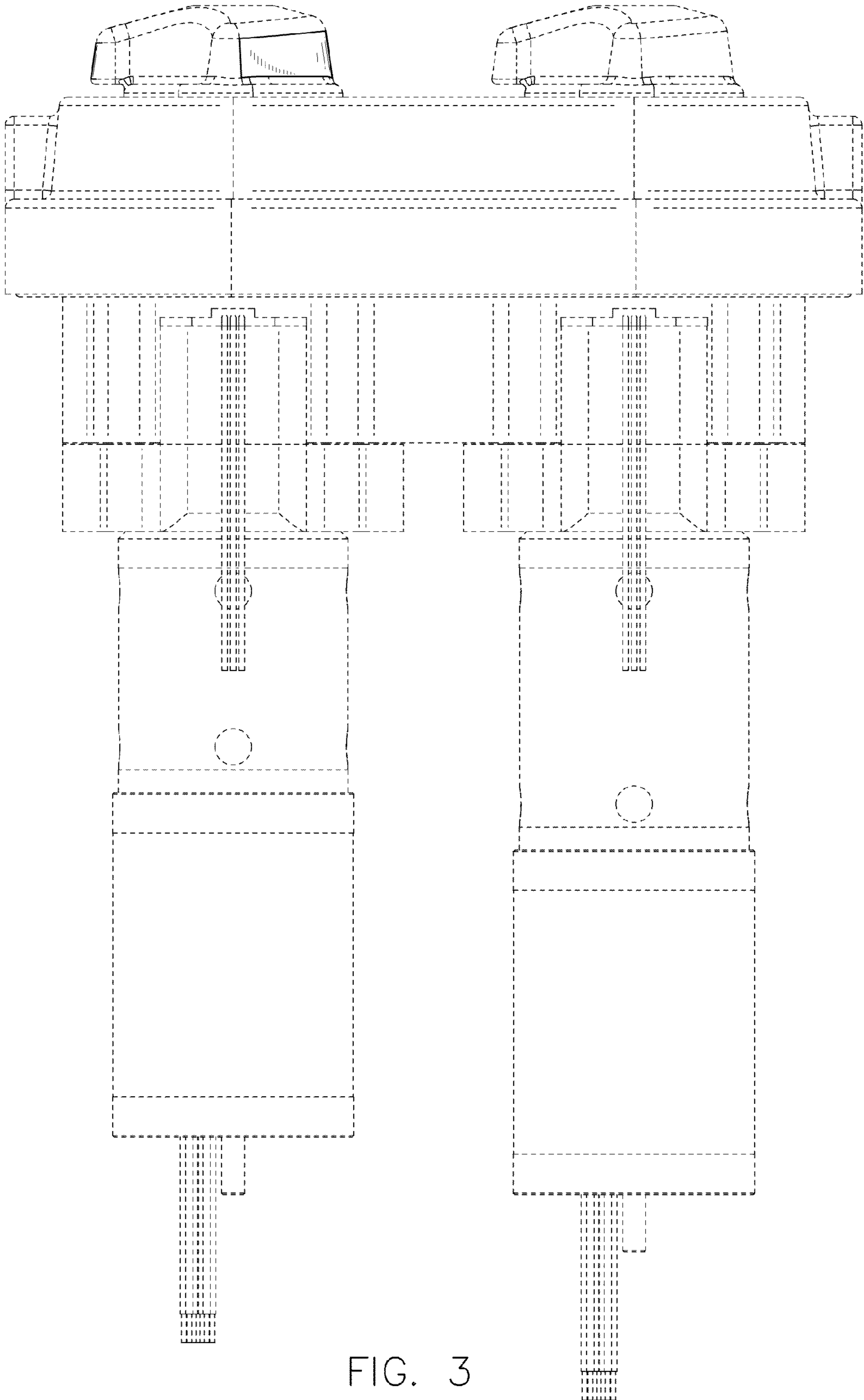


FIG. 3



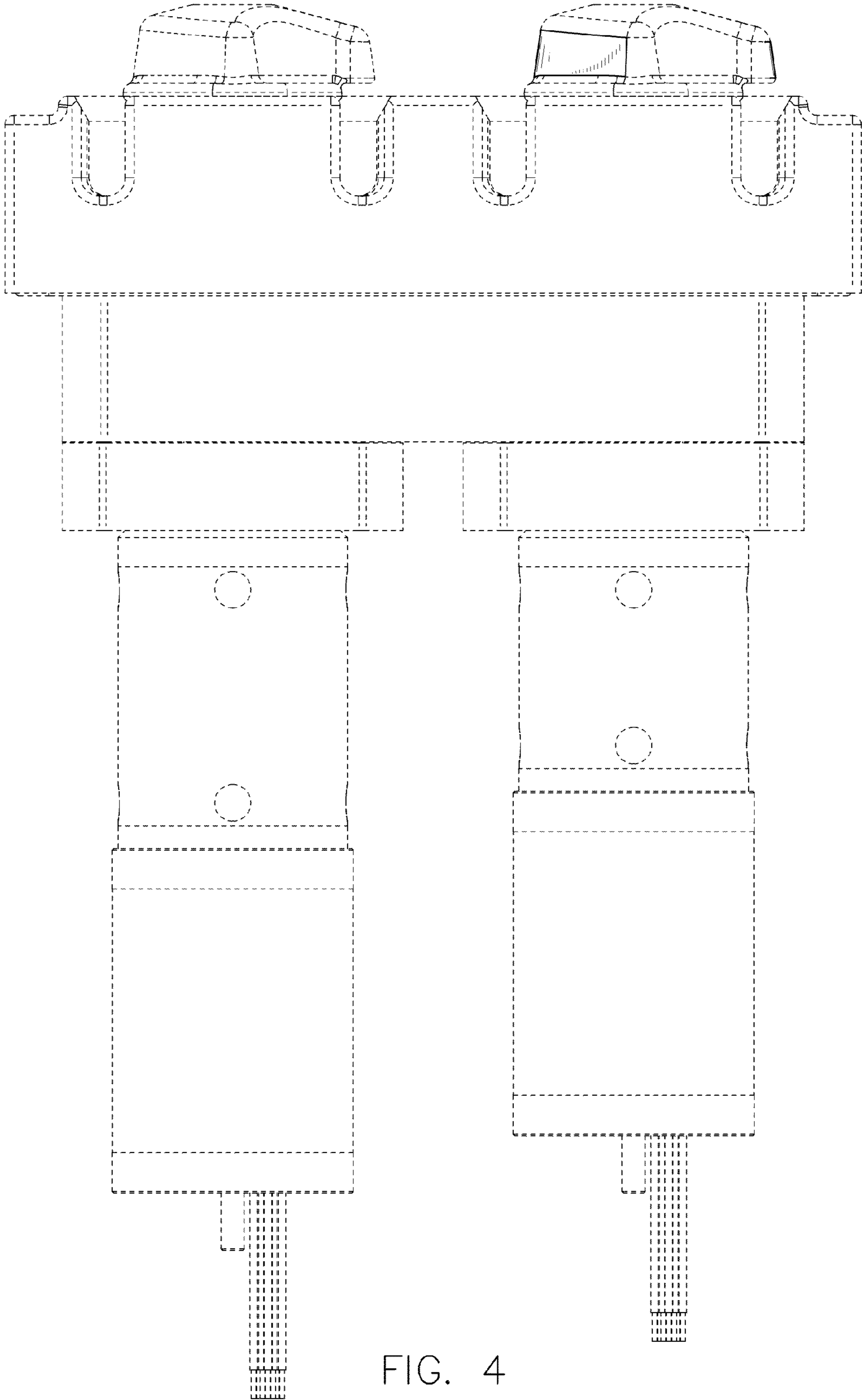


FIG. 4

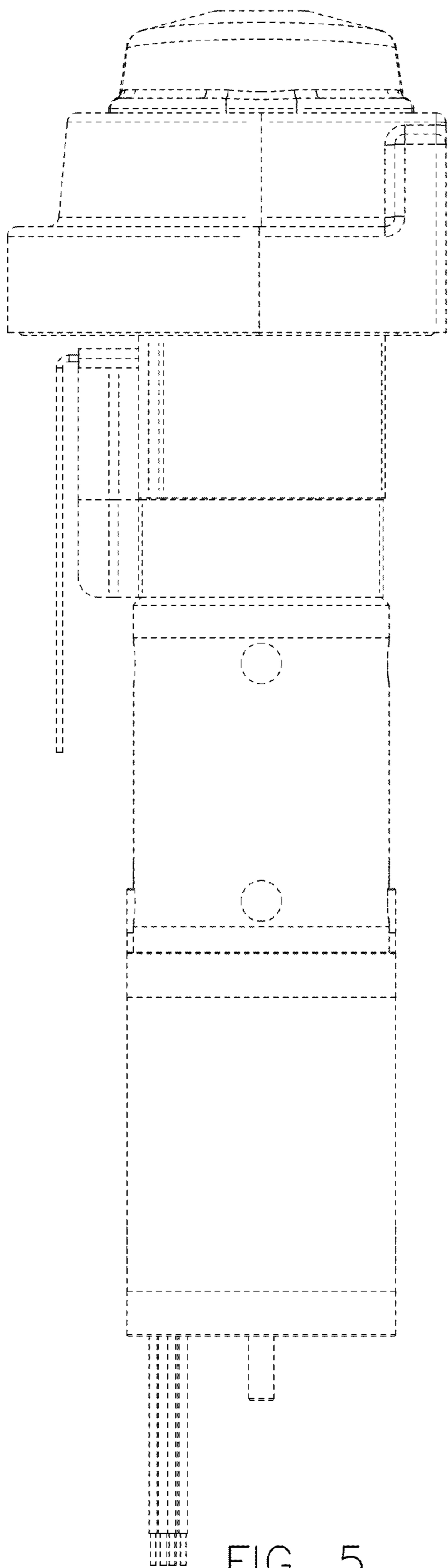


FIG. 5

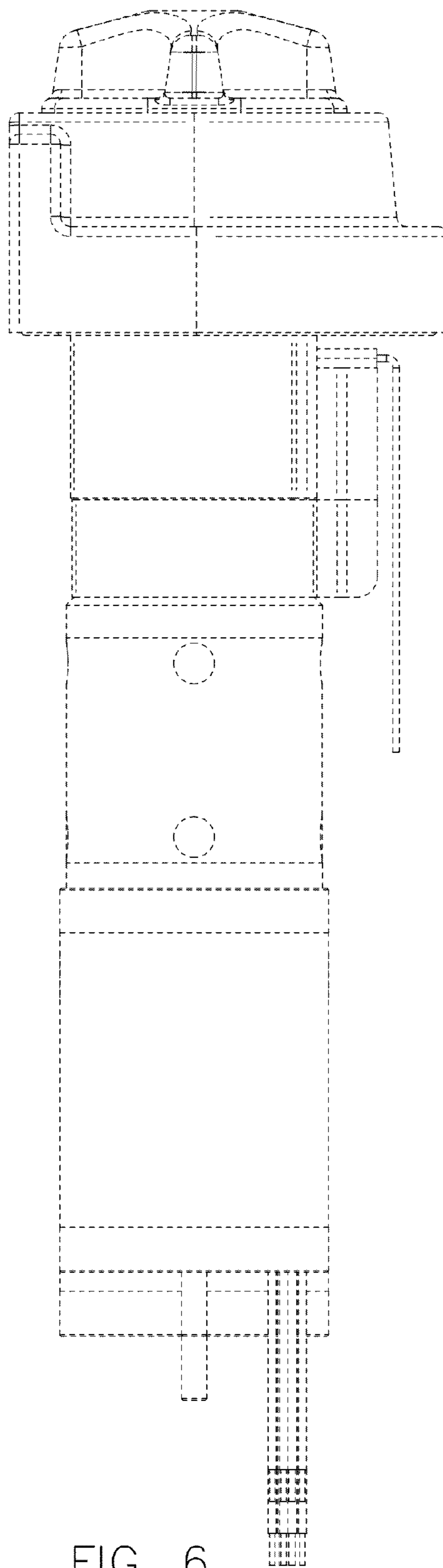


FIG. 6

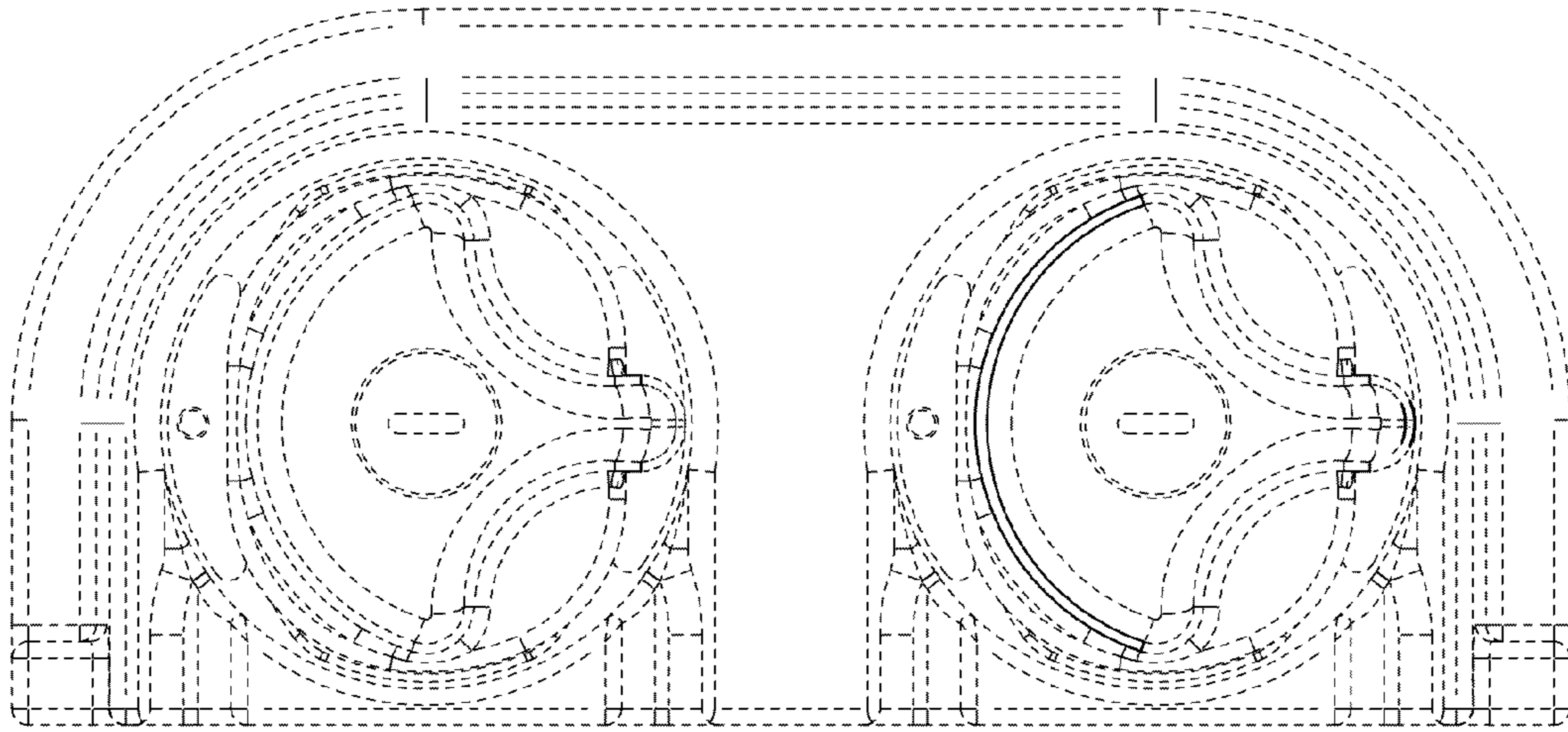


FIG. 7

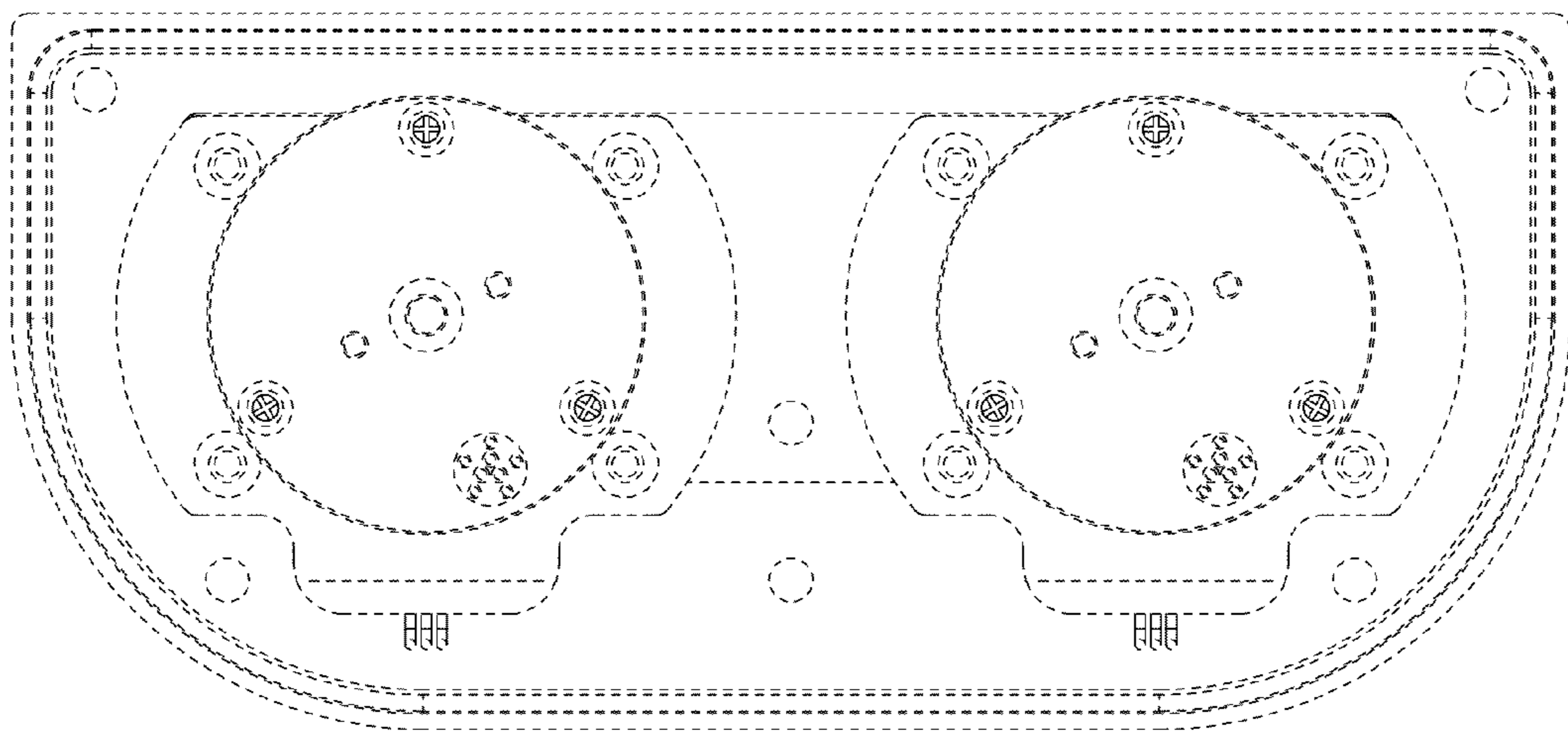


FIG. 8