



US00D742925S

(12) **United States Design Patent**  
**Saito et al.**

(10) **Patent No.:** **US D742,925 S**

(45) **Date of Patent:** **\*\* Nov. 10, 2015**

(54) **AIR CHUCK**

(56) **References Cited**

(71) Applicant: **SMC CORPORATION**, Chiyoda-ku  
(JP)

U.S. PATENT DOCUMENTS

(72) Inventors: **Tadashi Saito**, Kashiwa (JP); **Koji Hara**, Tsukubamirai (JP); **Kouichirou Ishibashi**, Tsukubamirai (JP)

D369,610 S *	5/1996	Iida .....	D15/7
D376,603 S *	12/1996	Iida .....	D15/7
D436,601 S *	1/2001	Kaneko .....	D15/7
D438,215 S *	2/2001	Kaneko .....	D15/7
D444,795 S *	7/2001	Wakasugi et al. ....	D15/7
D461,733 S *	8/2002	Iida .....	D10/85
D529,938 S *	10/2006	Noda et al. ....	D15/143
D554,164 S *	10/2007	Naruse et al. ....	D15/143
D556,861 S *	12/2007	Yokohari .....	D23/233
D657,406 S *	4/2012	Saito .....	D15/143
D670,741 S *	11/2012	Abe et al. ....	D15/7
D678,912 S *	3/2013	Abe et al. ....	D15/7

(73) Assignee: **SMC CORPORATION**, Chiyoda-ku  
(JP)

(\*\*) Term: **14 Years**

\* cited by examiner

(21) Appl. No.: **29/498,462**

*Primary Examiner* — Ralf Seifert

(22) Filed: **Aug. 4, 2014**

(74) *Attorney, Agent, or Firm* — Oblon, McClelland, Maier & Neustadt, L.L.P.

(30) **Foreign Application Priority Data**

(57) **CLAIM**

The ornamental design for an air chuck, as shown and described.

Feb. 4, 2014 (JP) ..... 2014-002255

(51) **LOC (10) Cl.** ..... **15-02**

(52) **U.S. Cl.**  
USPC ..... **D15/7**

(58) **Field of Classification Search**

USPC ..... D15/7-9; D23/231, 232, 225, 233;  
417/60, 235, 265, 321, 355, 358, 363,  
417/359, 410.1, 415-416, 405, 900;  
60/408, 412; 184/26-37; 415/140-147;  
123/495, 509; 310/20; 439/717

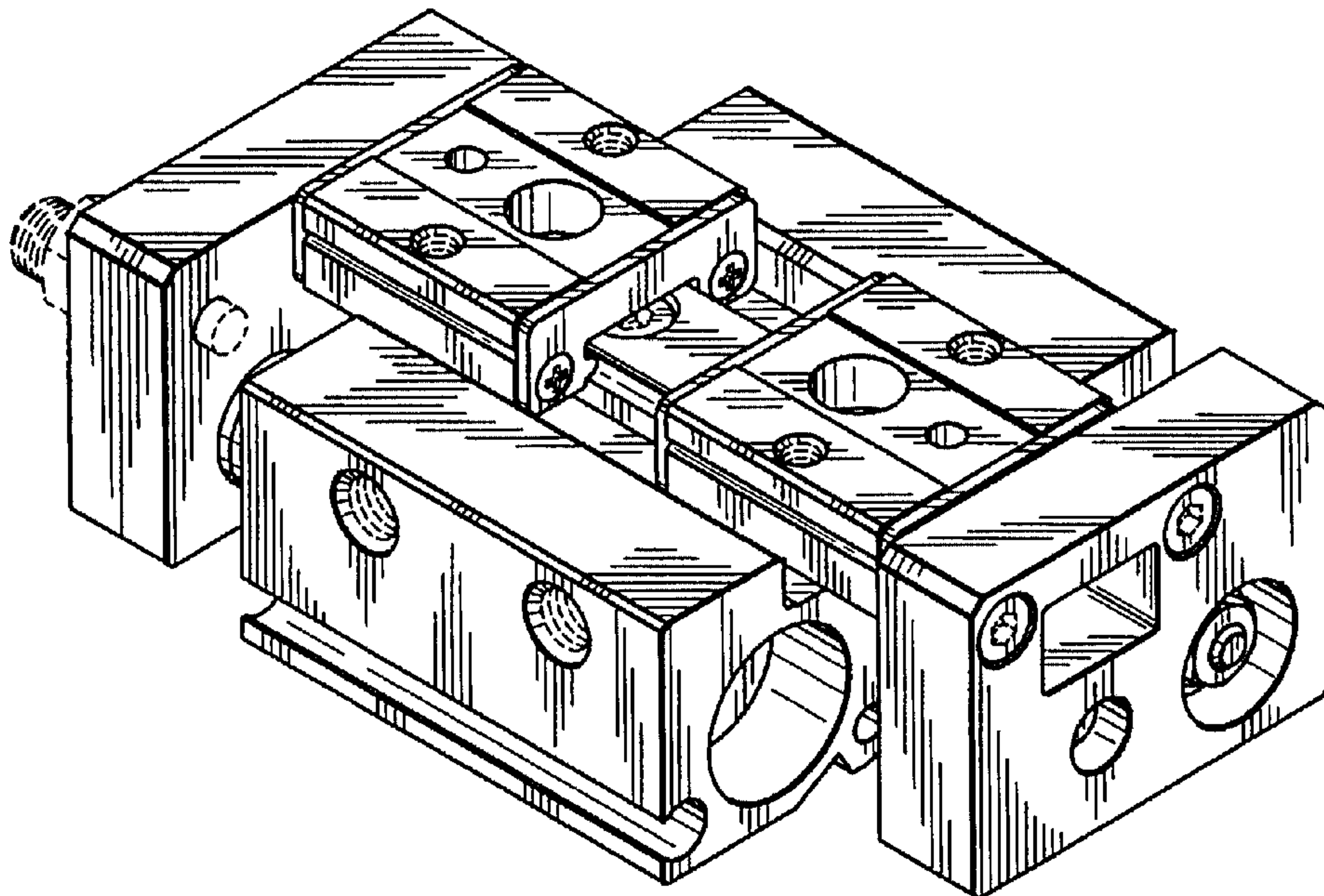
CPC ..... H02K 41/00

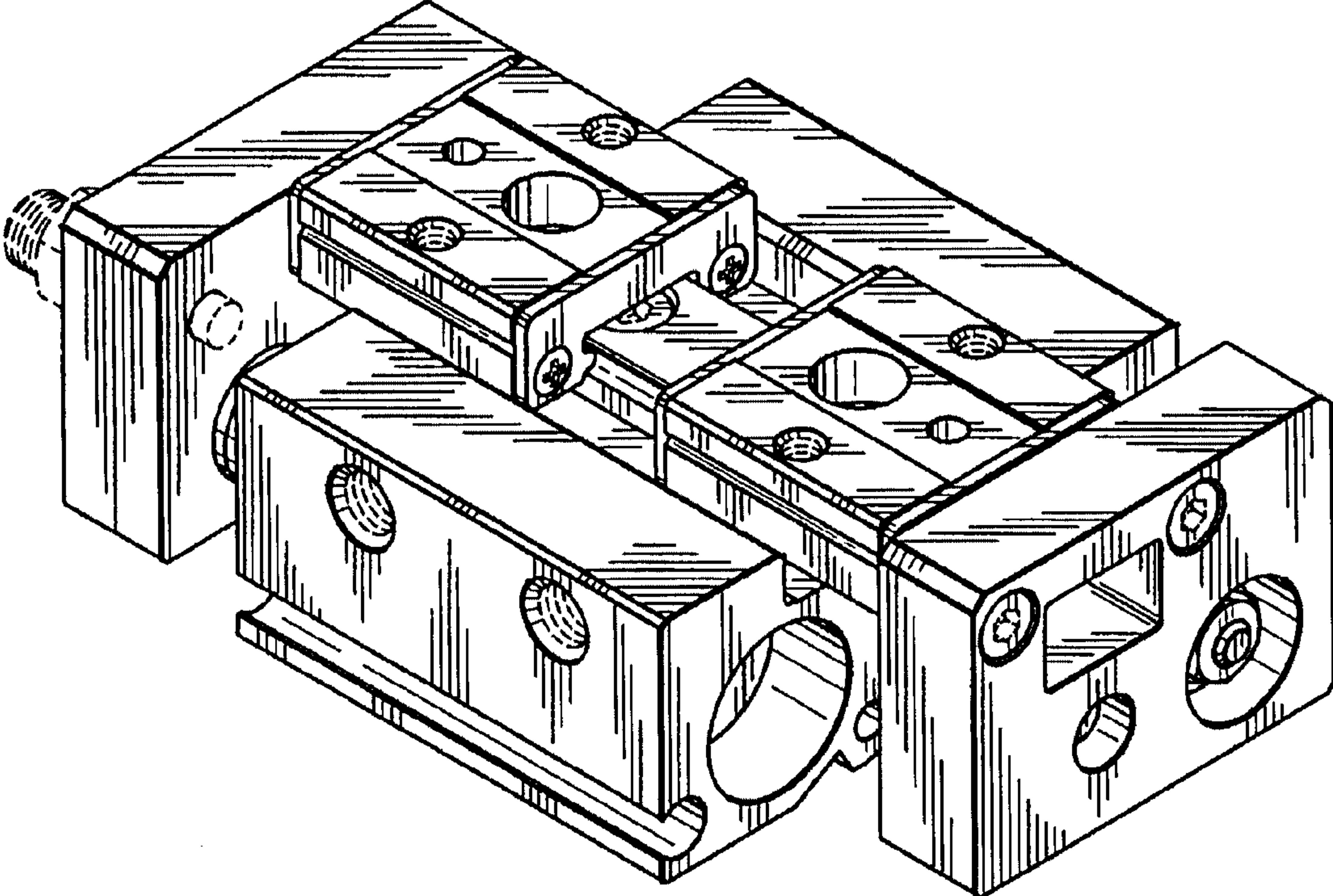
See application file for complete search history.

**DESCRIPTION**

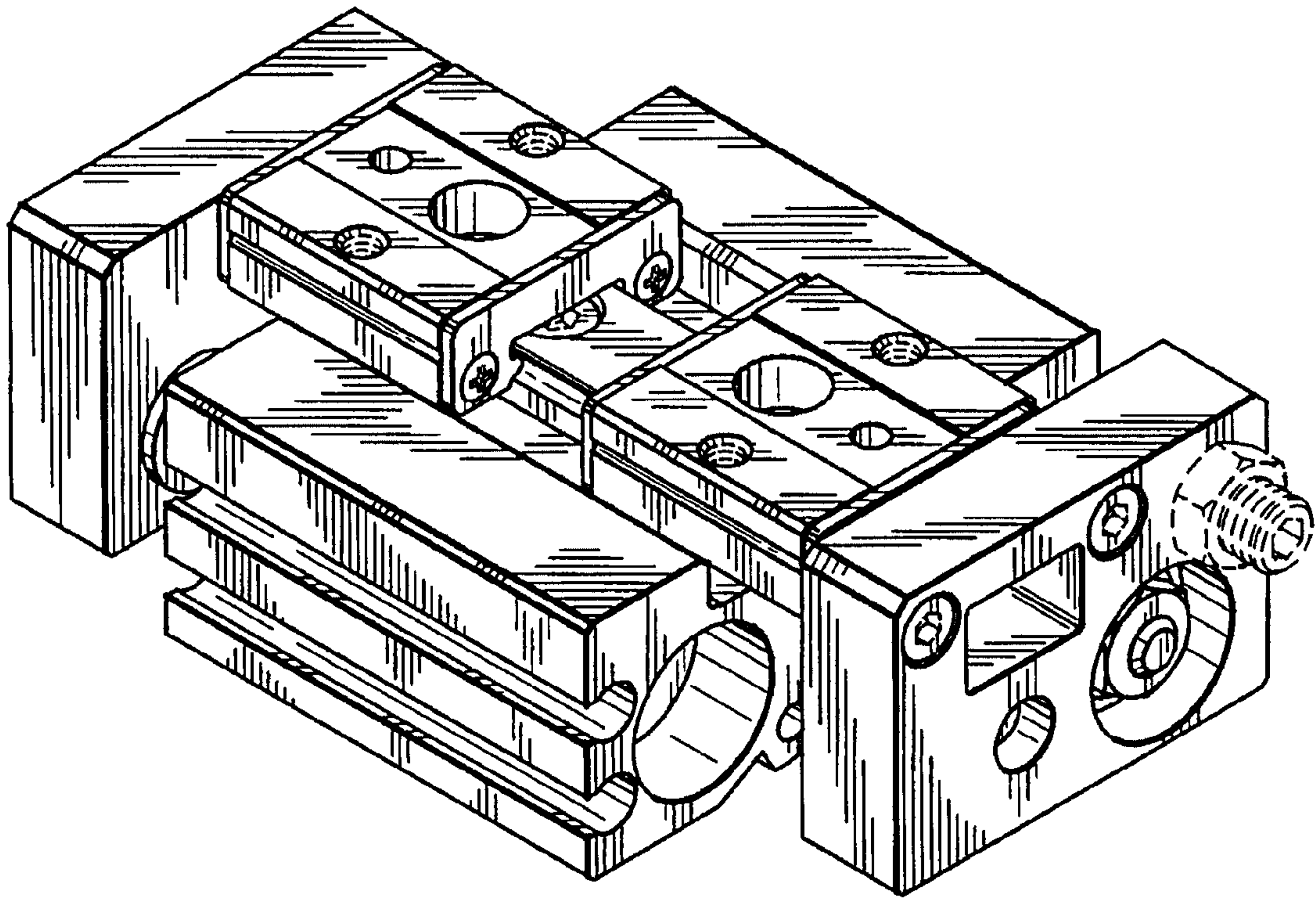
FIG. 1 is a front, top, and right side perspective view of an air chuck;  
FIG. 2 is a rear, top, and left side perspective view thereof;  
FIG. 3 is a top plan view thereof;  
FIG. 4 is a bottom plan view thereof;  
FIG. 5 is a left side elevational view thereof;  
FIG. 6 is a right side elevational view thereof;  
FIG. 7 is a front elevational view thereof;  
FIG. 8 is a rear elevational view thereof; and,  
FIG. 9 is a cross-sectional view of line 9-9 from FIG. 3.  
The broken lines in the drawings depict environmental subject matter only and form no part of the claimed design.

**1 Claim, 9 Drawing Sheets**



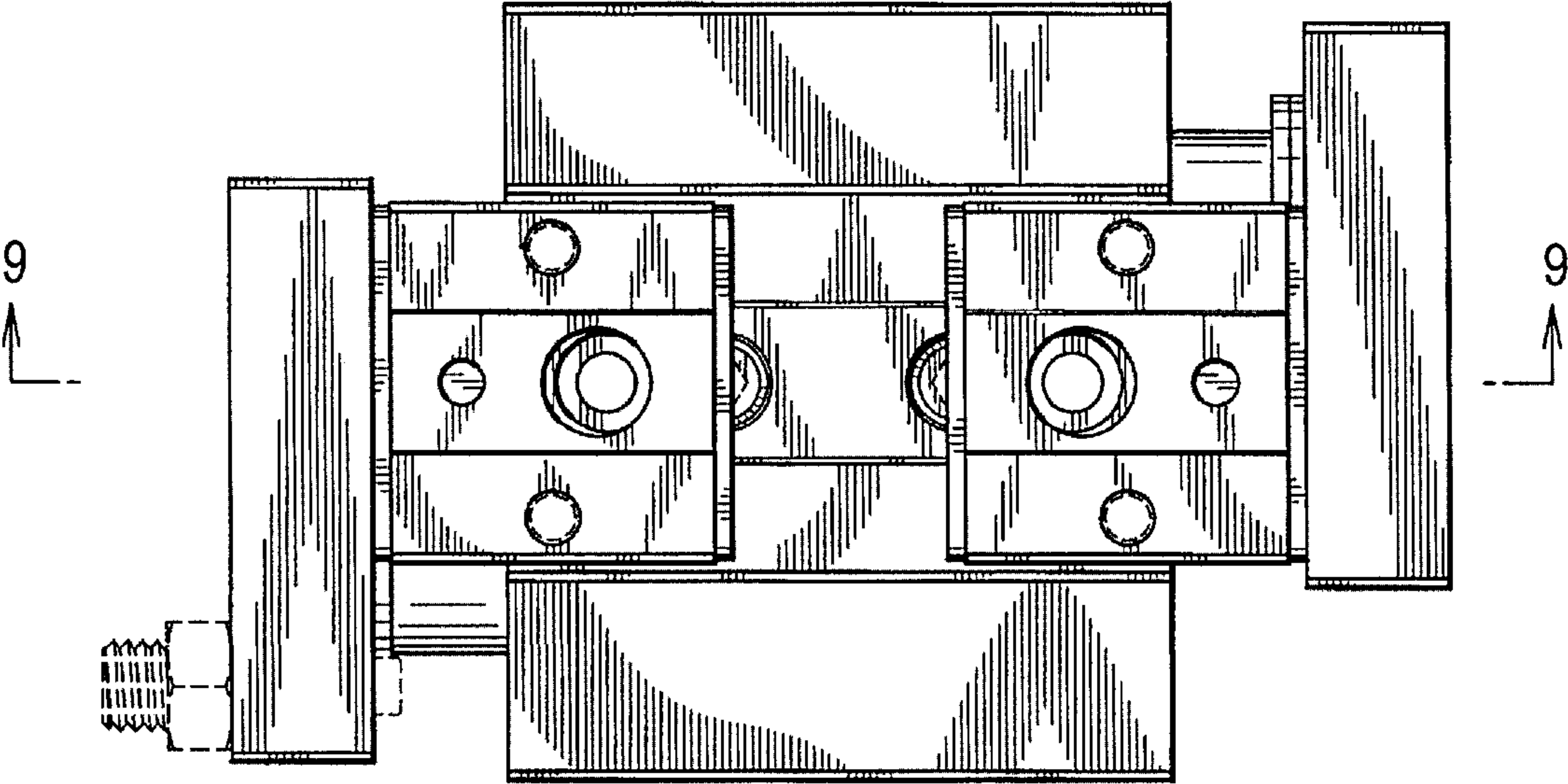


*Fig. 1*

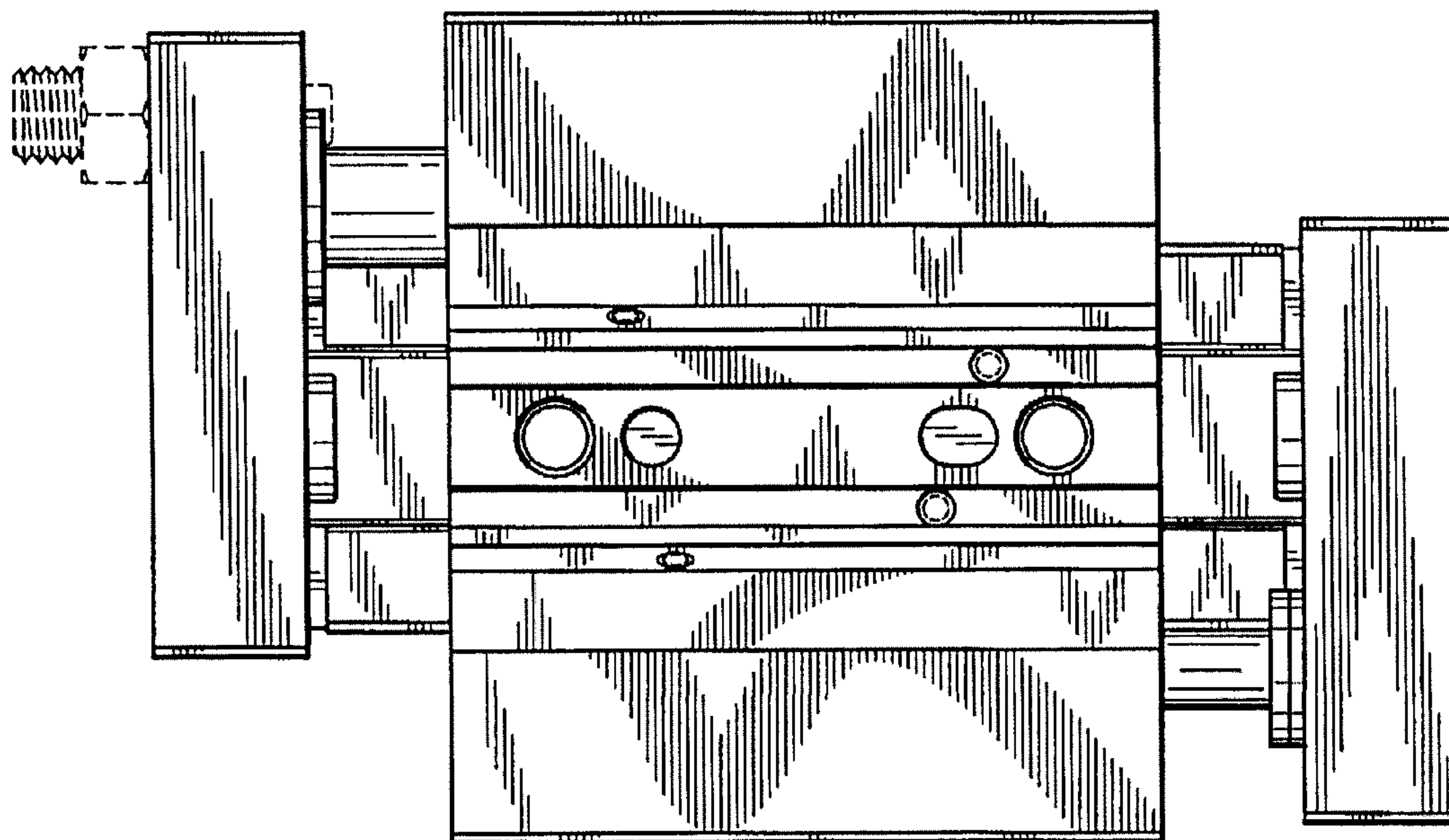


*Fig. 2*

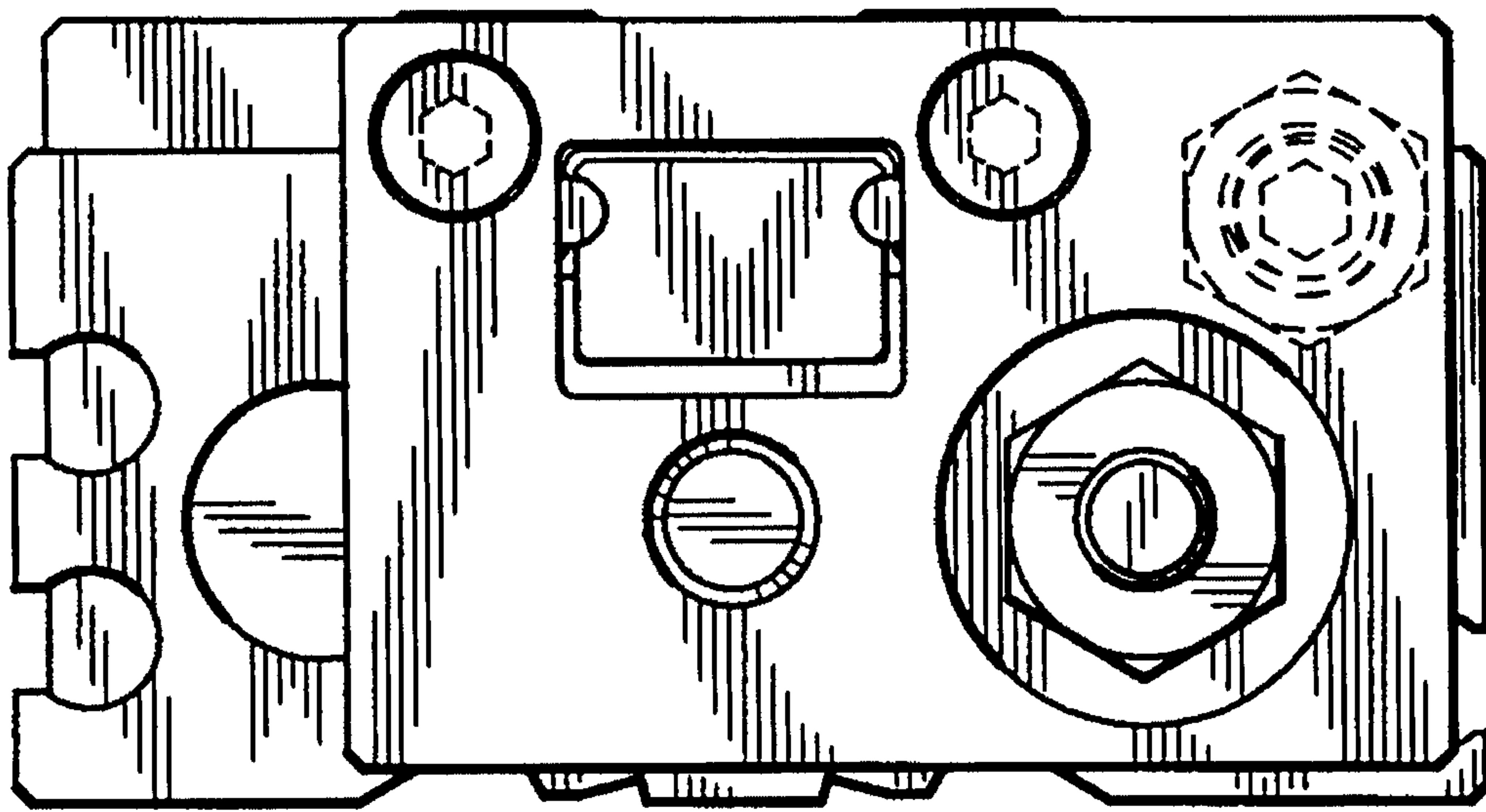




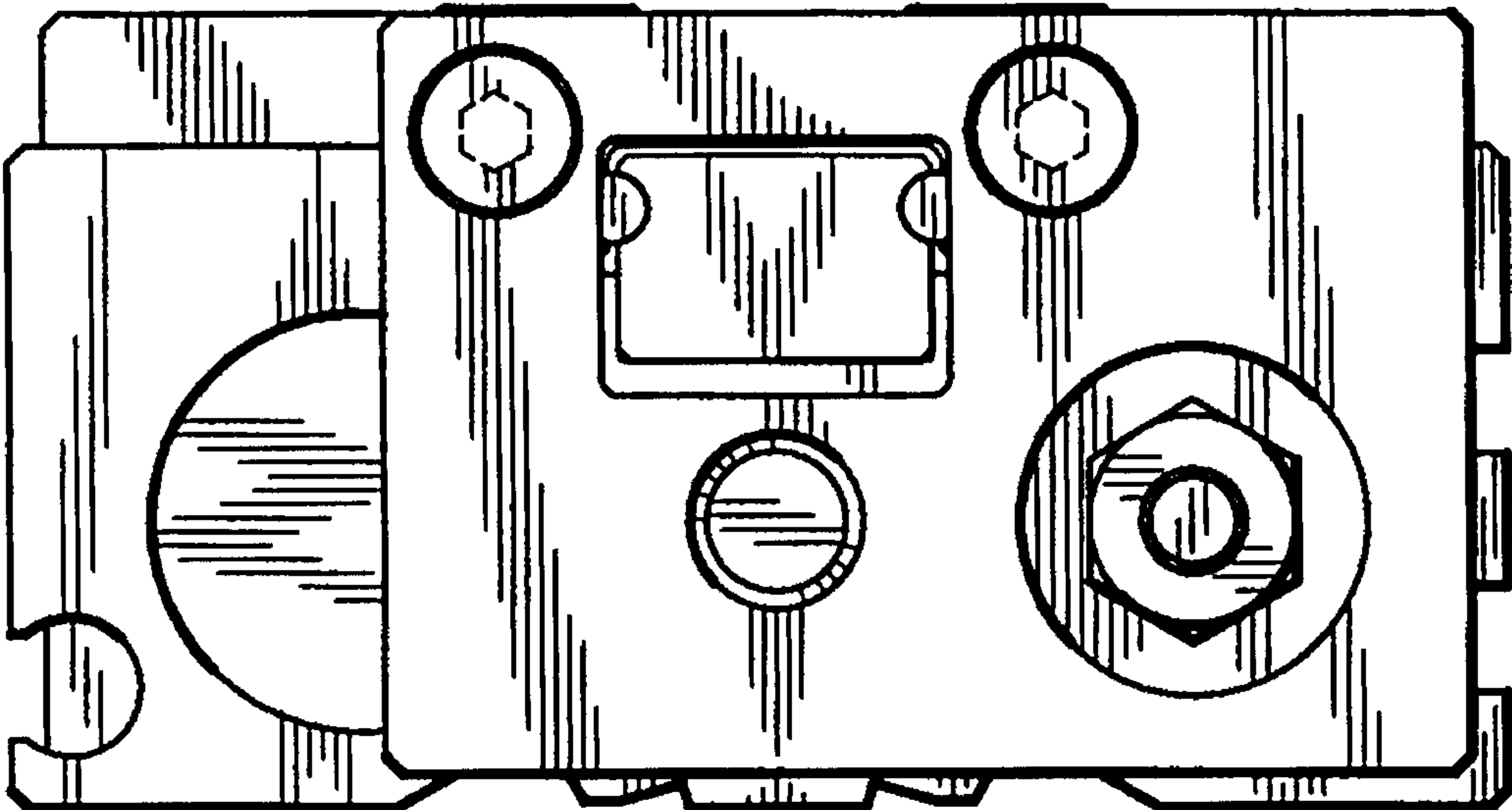
*Fig. 3*



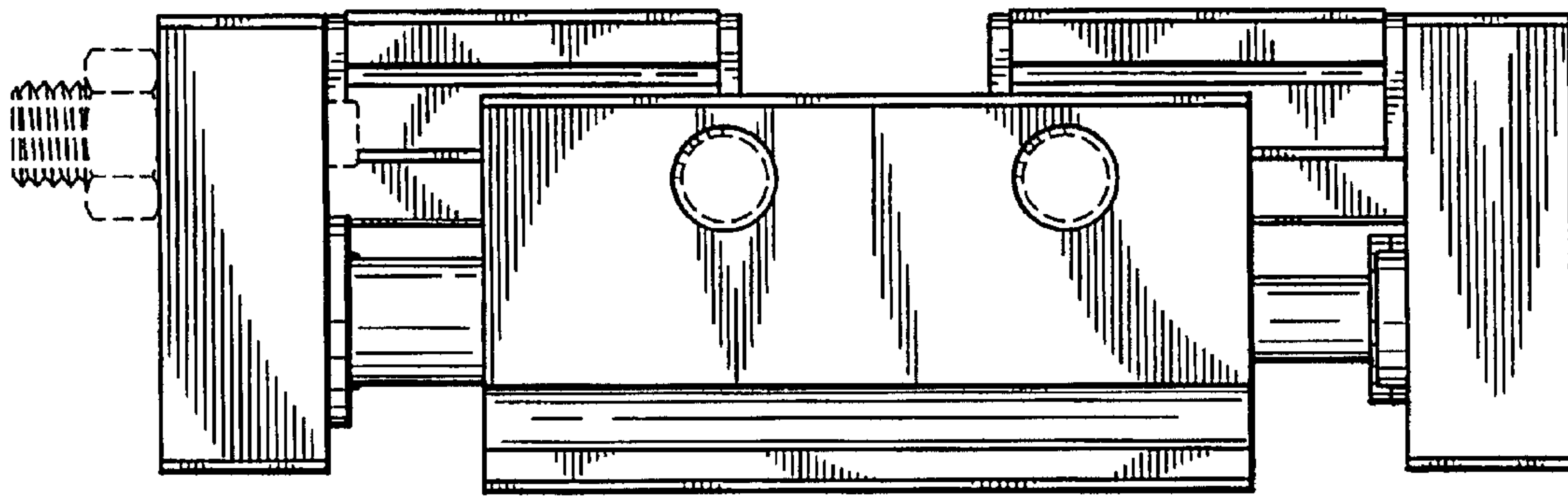
*Fig. 4*



*Fig. 5*



*Fig. 6*



*Fig. 7*



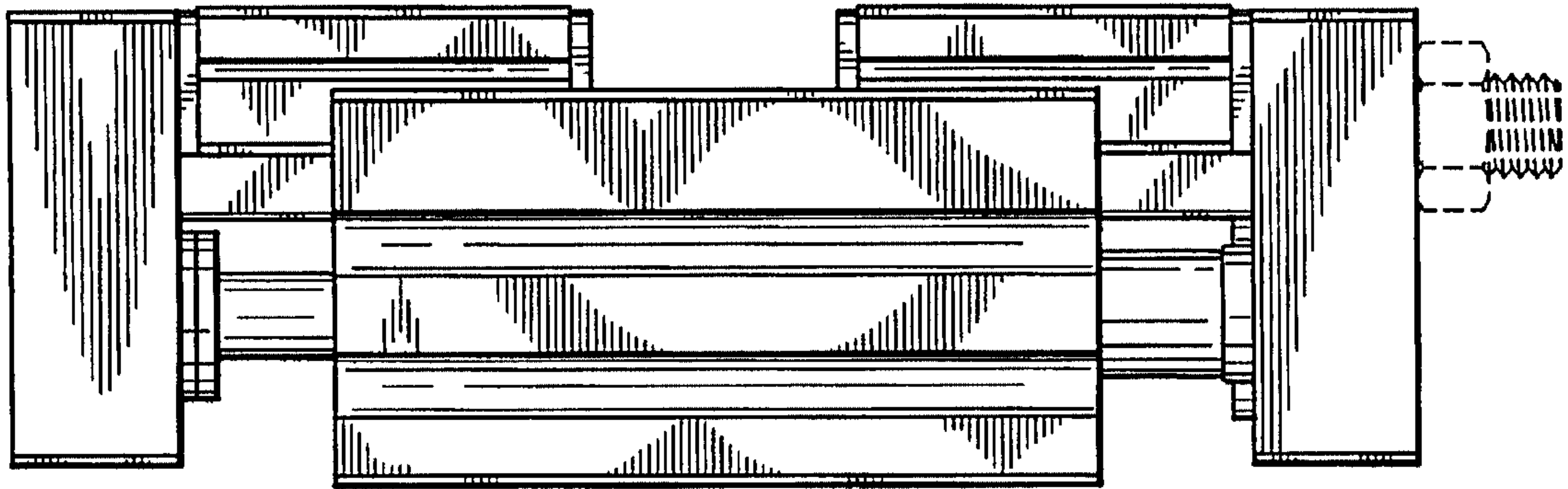


Fig. 8

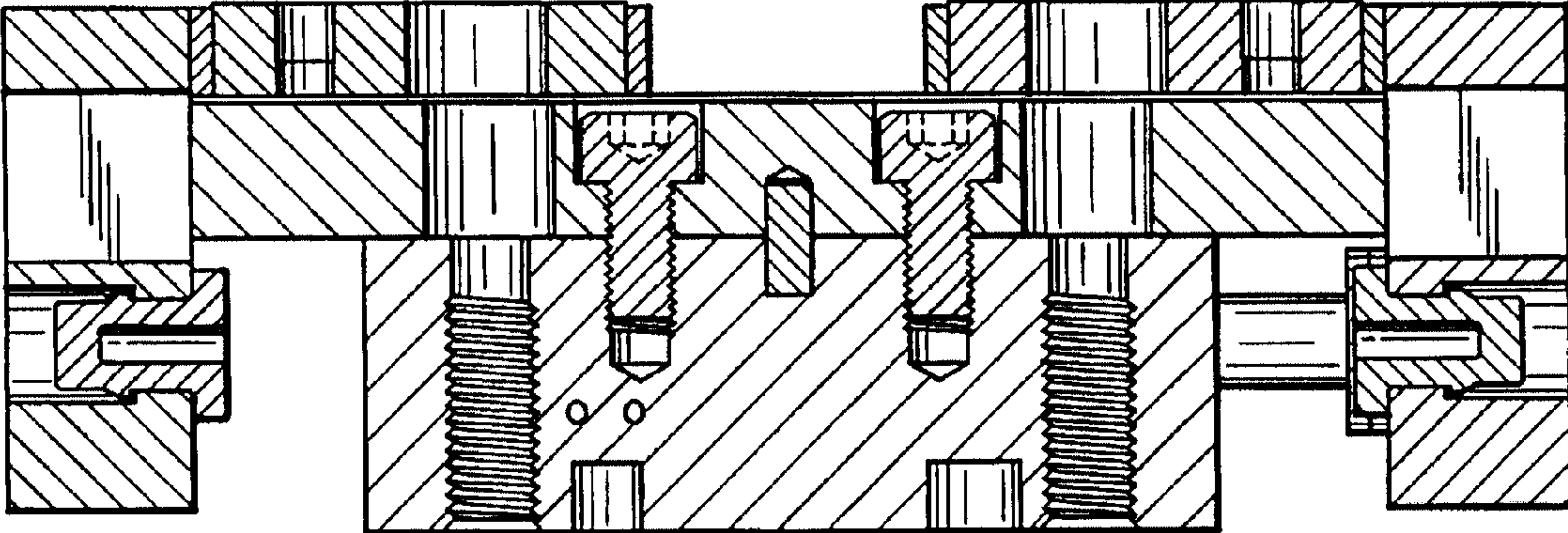


Fig. 9