



US00D742922S

(12) **United States Design Patent**  
**Andren et al.**

(10) **Patent No.:** **US D742,922 S**  
(45) **Date of Patent:** **\*\* Nov. 10, 2015**

(54) **BLOWER HOUSING WITH LOW PROFILE AIR CLEANER**

(56) **References Cited**

U.S. PATENT DOCUMENTS

(71) Applicant: **Kohler Co.**, Kohler, WI (US)  
(72) Inventors: **Travis J. Andren**, Sheboygan, WI (US);  
**Christopher T. Forrest**, Manitowoc, WI (US);  
**Nicholas D. Conger**, Sheboygan, WI (US);  
**Daniel J. Luhman**, Kohler, WI (US);  
**Christopher M. Rector**, Kiel, WI (US);  
**Michael E. Smies**, Waldo, WI (US)

D330,897 S 11/1992 Carlson et al.  
D352,042 S 11/1994 Davies, III  
D352,043 S 11/1994 Davies, III  
D396,045 S 7/1998 Neeley  
D396,476 S 7/1998 Shimizu  
D397,342 S 8/1998 Shimizu  
D466,905 S 12/2002 Neeley et al.  
D468,751 S 1/2003 Neeley et al.  
D471,560 S 3/2003 Davis  
D484,889 S 1/2004 Neeley et al.  
D487,751 S 3/2004 Neeley et al.

(Continued)

(73) Assignee: **Kohler Co.**, Kohler, WI (US)

OTHER PUBLICATIONS

(\*\*) Term: **14 Years**

Design U.S. Appl. No. 29/438,836, filed Dec. 4, 2012, 19 pages.

(21) Appl. No.: **29/519,694**

(Continued)

(22) Filed: **Mar. 6, 2015**

*Primary Examiner* — T. Chase Nelson

*Assistant Examiner* — Ania Aman

(74) *Attorney, Agent, or Firm* — Whyte Hirschboeck Dudek S.C.

**Related U.S. Application Data**

(62) Division of application No. 29/441,382, filed on Jan. 4, 2013.

(57) **CLAIM**

The ornamental design for a blower housing with low profile air cleaner, as shown and described.

(51) **LOC (10) Cl.** ..... **15-01**

**DESCRIPTION**

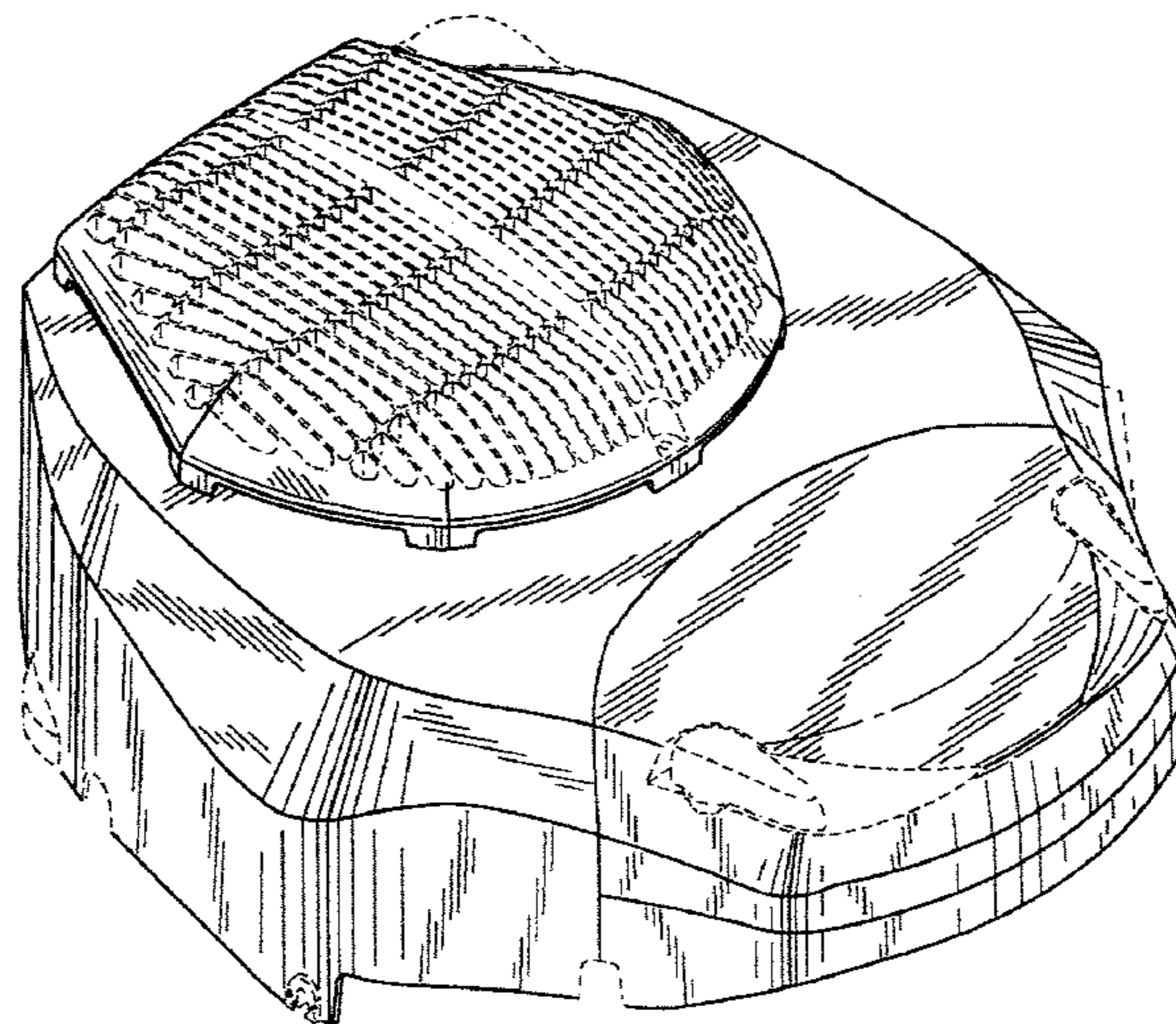
(52) **U.S. Cl.**  
USPC ..... **D15/5**

(58) **Field of Classification Search**  
USPC ..... D15/1-6, 14, 17, 149; 123/22, 41, 34,  
123/51 A, 606 R, 52.1, 50 A, 50 B, 54.1,  
123/54.2, 54.4, 54.5, 65 R, 195 R, 195 HC,  
123/657, 311; D32/15  
CPC .... F02B 2075/027; F02B 75/20; F02B 75/22;  
F02B 2075/1816; F02B 2275/20; F02B 77/13;  
F02B 2075/025; F02B 2075/1808; F02B  
2275/18; F02B 63/04; F02B 77/00; F01P  
5/06; F01P 11/10; F02F 7/0039  
See application file for complete search history.

FIG. 1 is a perspective view of an blower housing with low profile air cleaner showing our new design;  
FIG. 2 is a top view thereof;  
FIG. 3 is a rear view thereof;  
FIG. 4 is a right side view thereof;  
FIG. 5 is a left side view thereof;  
FIG. 6 is a front view thereof; and,  
FIG. 7 is a bottom view thereof.

The broken lines showing in the figures are for purposes of illustrating portions of the blower housing with low profile air cleaner (or associated components) only and form no part of the claimed design.

**1 Claim, 4 Drawing Sheets**



(56)

References Cited

OTHER PUBLICATIONS

U.S. PATENT DOCUMENTS

D491,192 S	6/2004	Davis	
D491,193 S	6/2004	Davis	
D513,012 S	12/2005	Strandell et al.	
D513,754 S	1/2006	Strandell et al.	
D525,991 S	8/2006	Walters	
D527,022 S	8/2006	Walters	
D527,741 S	9/2006	Vervoorn	
D538,823 S	3/2007	Vervoorn	
D548,750 S	8/2007	Neeley et al.	
D553,645 S	10/2007	Drew et al.	
D572,271 S	7/2008	Maeda	
D583,831 S	12/2008	Post et al.	
D594,878 S	6/2009	Post et al.	
D598,471 S	8/2009	Wang et al.	
D667,464 S	9/2012	Tiefenthaler	
D671,959 S	12/2012	Burey et al.	
D691,177 S	10/2013	Tiefenthaler	
D708,645 S	7/2014	Sarder et al.	
2006/0169256 A1 *	8/2006	Lavender et al. ....	123/559.1
2014/0271132 A1 *	9/2014	Le Roy et al. ....	415/119

Restriction Requirement for U.S. Appl. No. 29/438,836 dated Nov. 13, 2014, 4 pages.

Notice of Allowance for U.S. Appl. No. 29/438,836 dated Dec. 17, 2014, 8 pages.

Design U.S. Appl. No. 29/438,837, filed Dec. 4, 2012, 19 pages.

Restriction Requirement for U.S. Appl. No. 29/438,837 dated Nov. 13, 2014, 4 pages.

Notice of Allowance for U.S. Appl. No. 29/438,837 dated Jan. 2, 2015, 8 pages.

Design U.S. Appl. No. 29/441,381, filed Jan. 4, 2013, 10 pages.

Restriction Requirement for U.S. Appl. No. 29/441,381 dated Nov. 19, 2014, 4 pages.

Notice of Allowance for U.S. Appl. No. 29/441,381 dated Dec. 19, 2014, 7 pages.

Design U.S. Appl. No. 29/519,693, filed Mar. 6, 2015, 6 pages.

Design U.S. Appl. No. 29/519,698, filed Mar. 6, 2015, 6 pages.

Design U.S. Appl. No. 29/519,699, filed Mar. 6, 2015, 6 pages.

Design U.S. Appl. No. 29/519,703, filed Mar. 6, 2015, 6 pages.

Design U.S. Appl. No. 29/519,704, filed Mar. 6, 2015, 6 pages.

\* cited by examiner

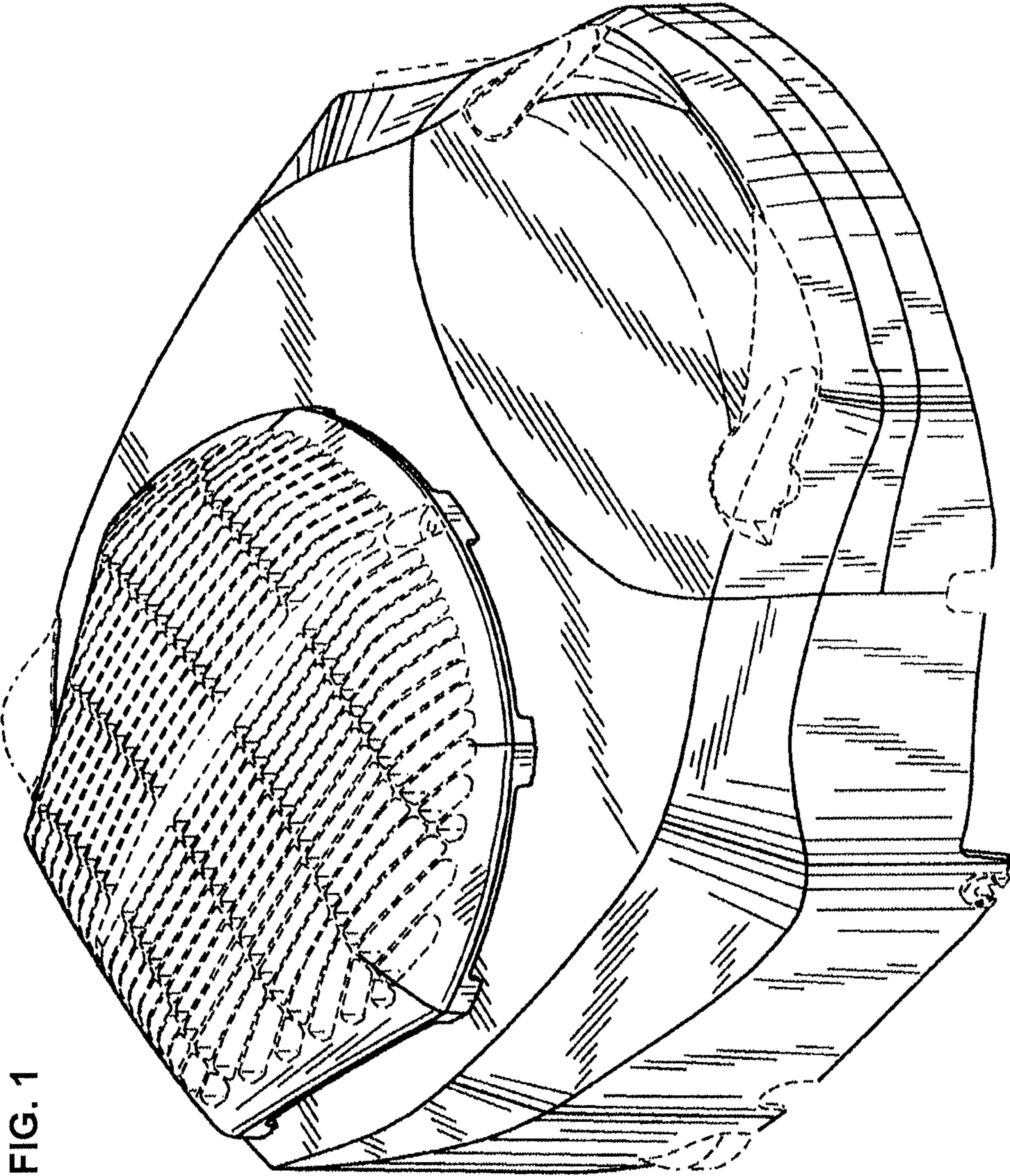


FIG. 1

FIG. 2

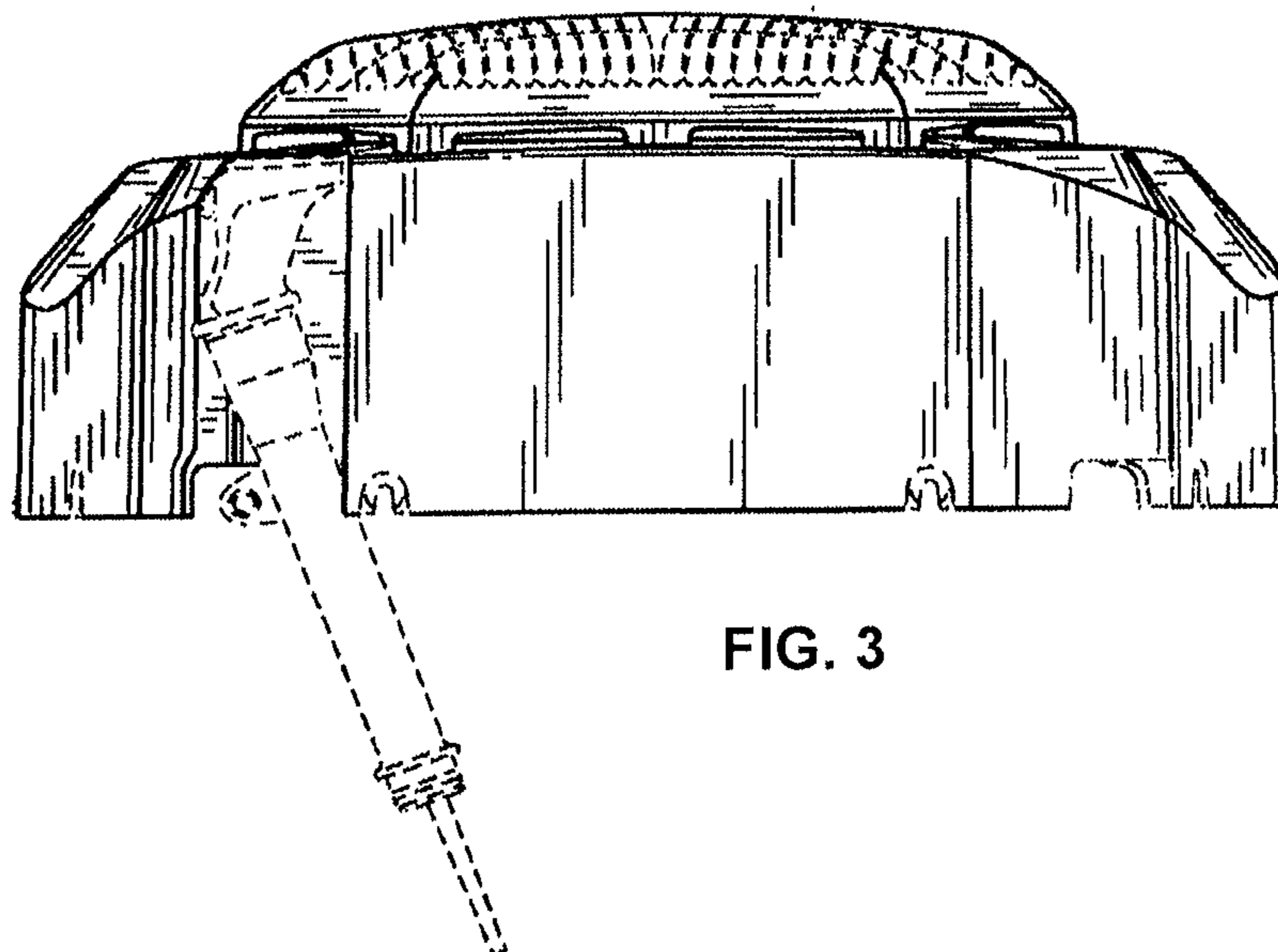
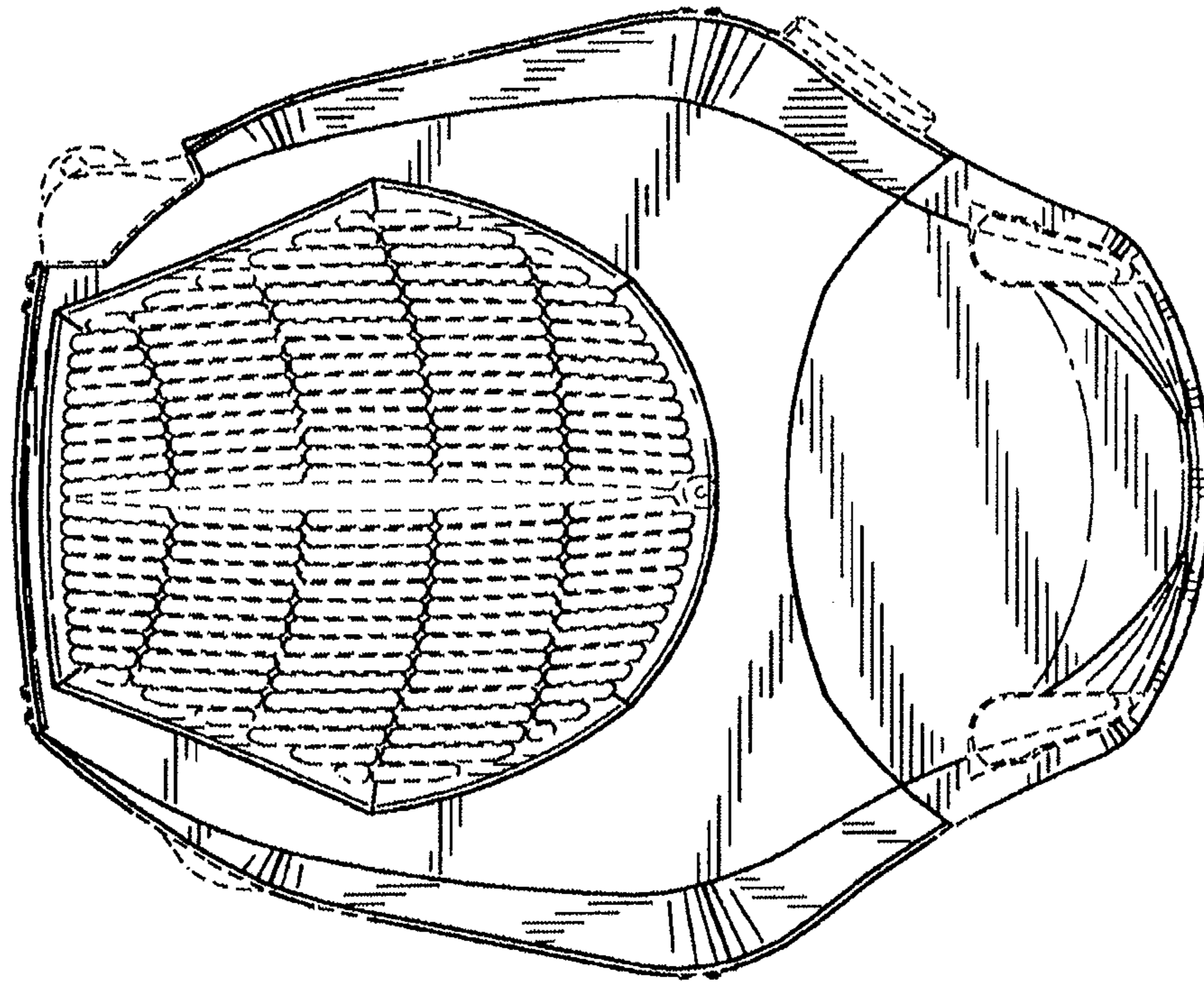
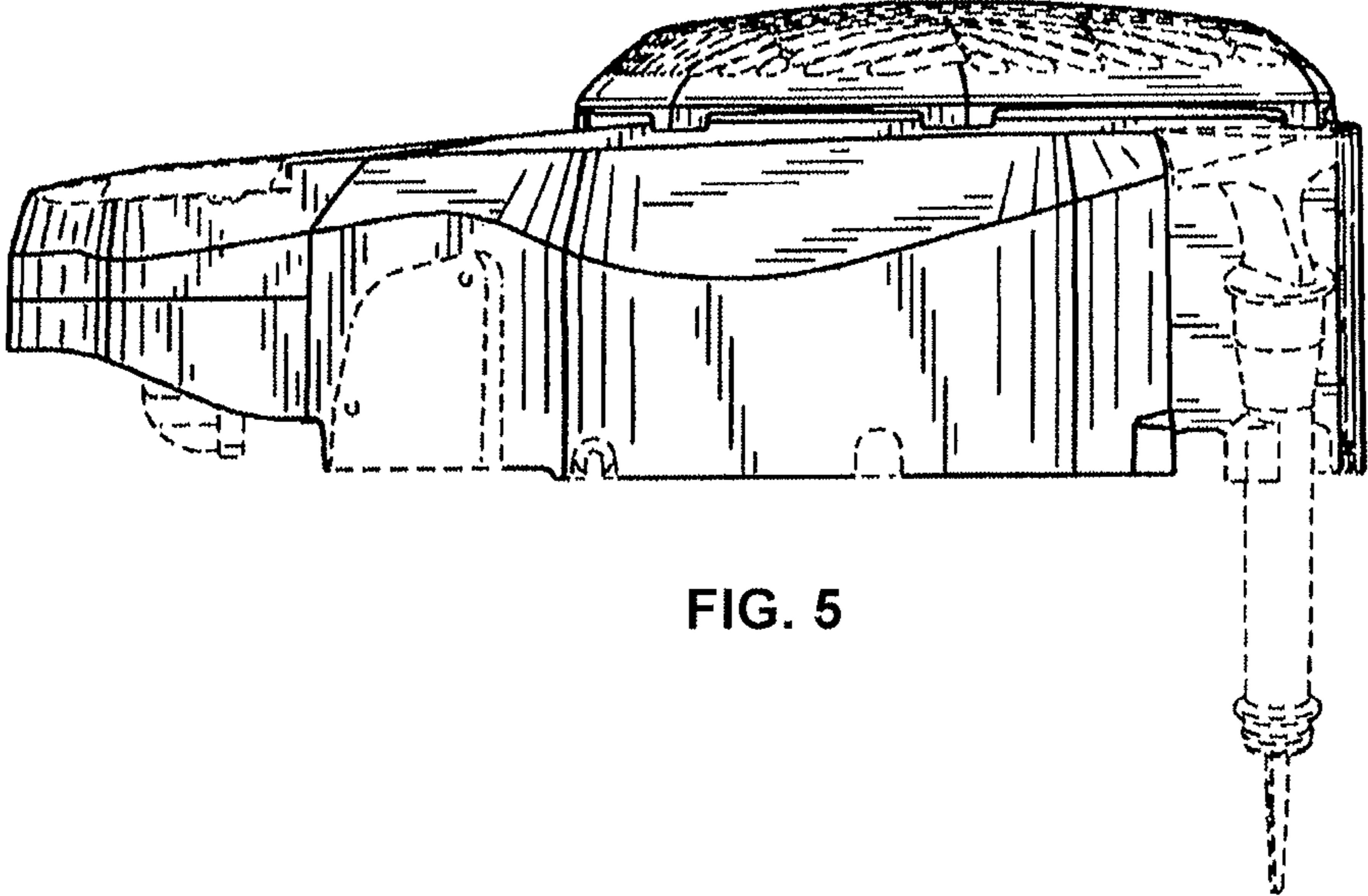
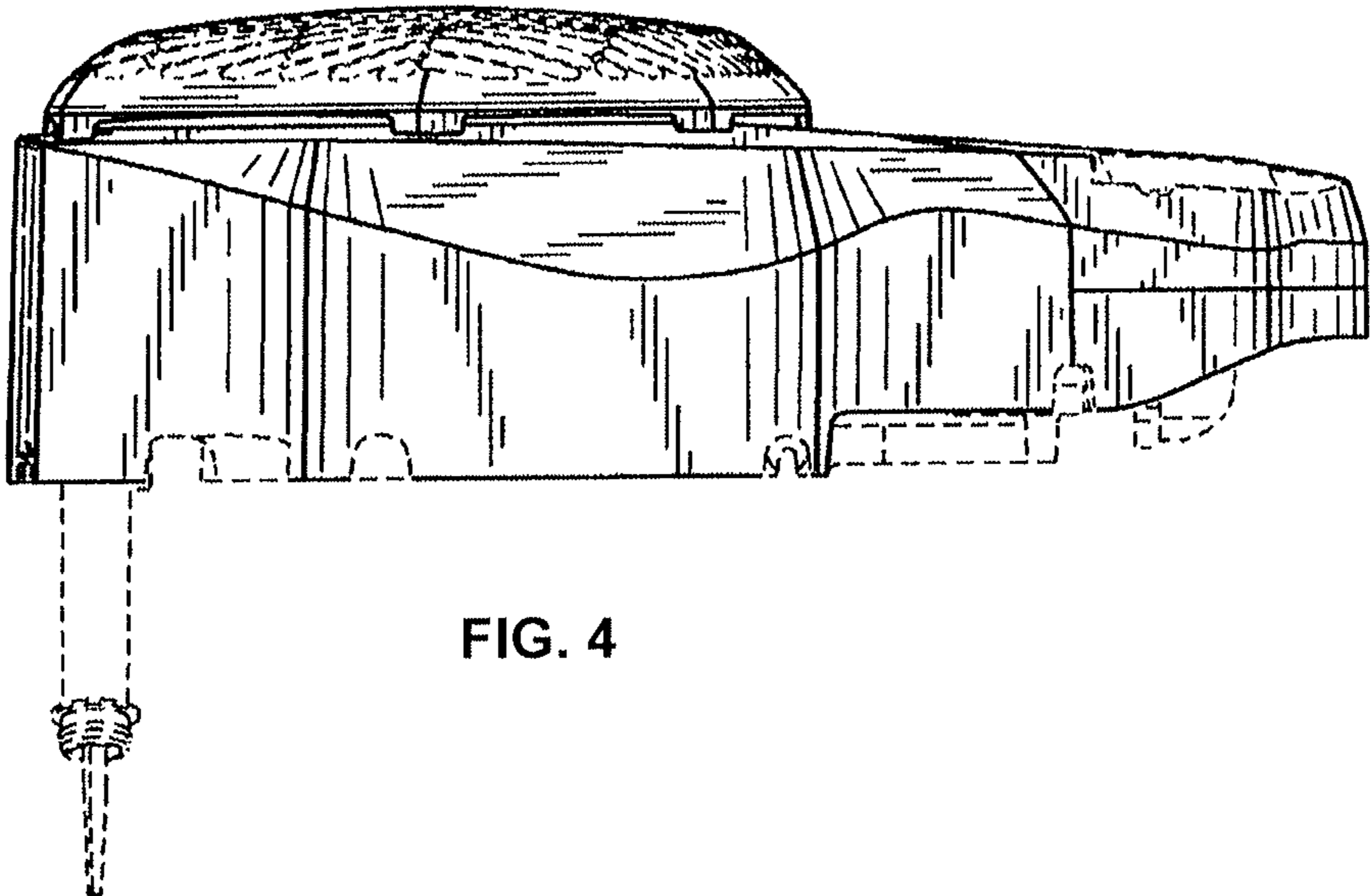


FIG. 3



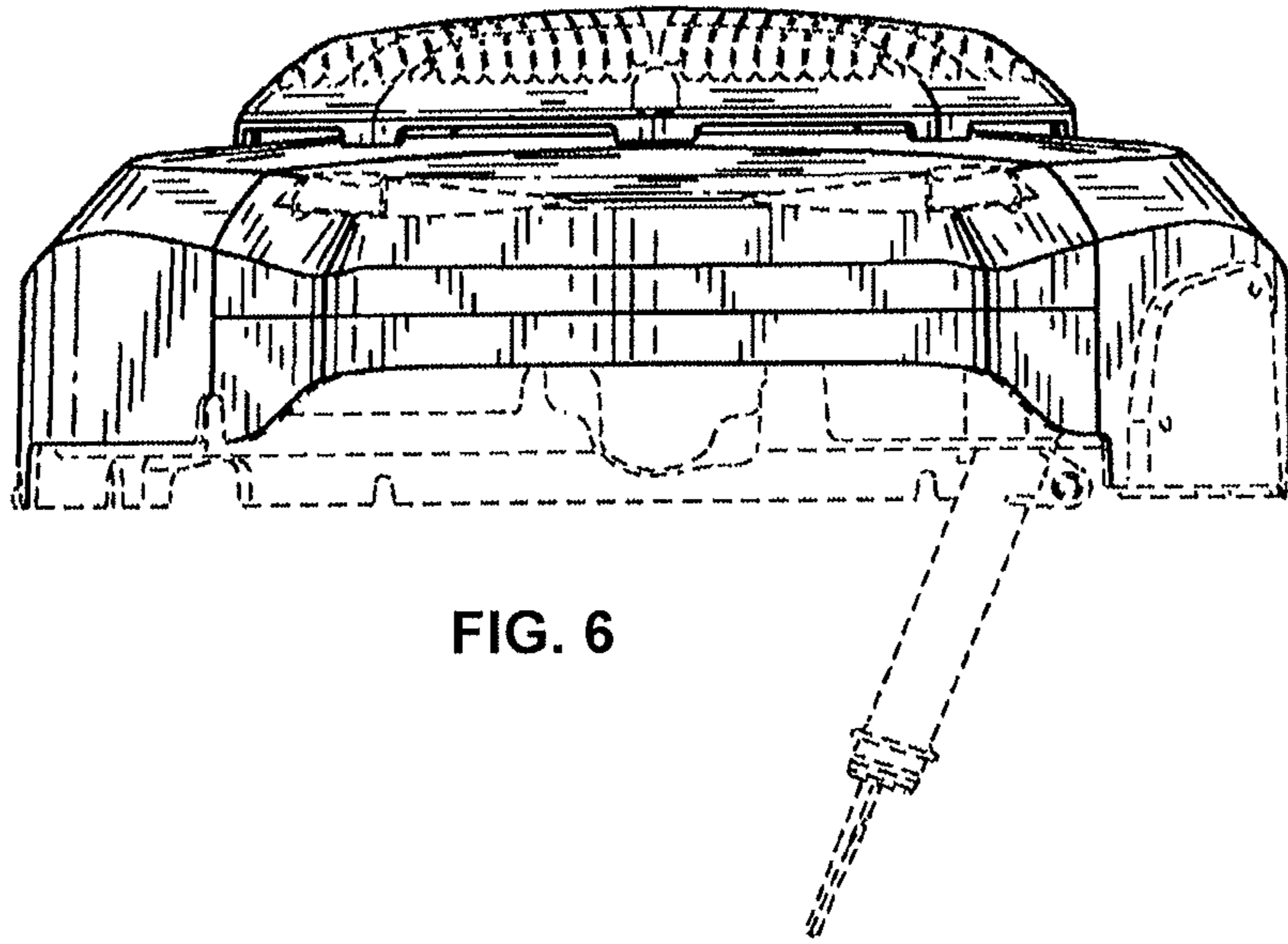


FIG. 6

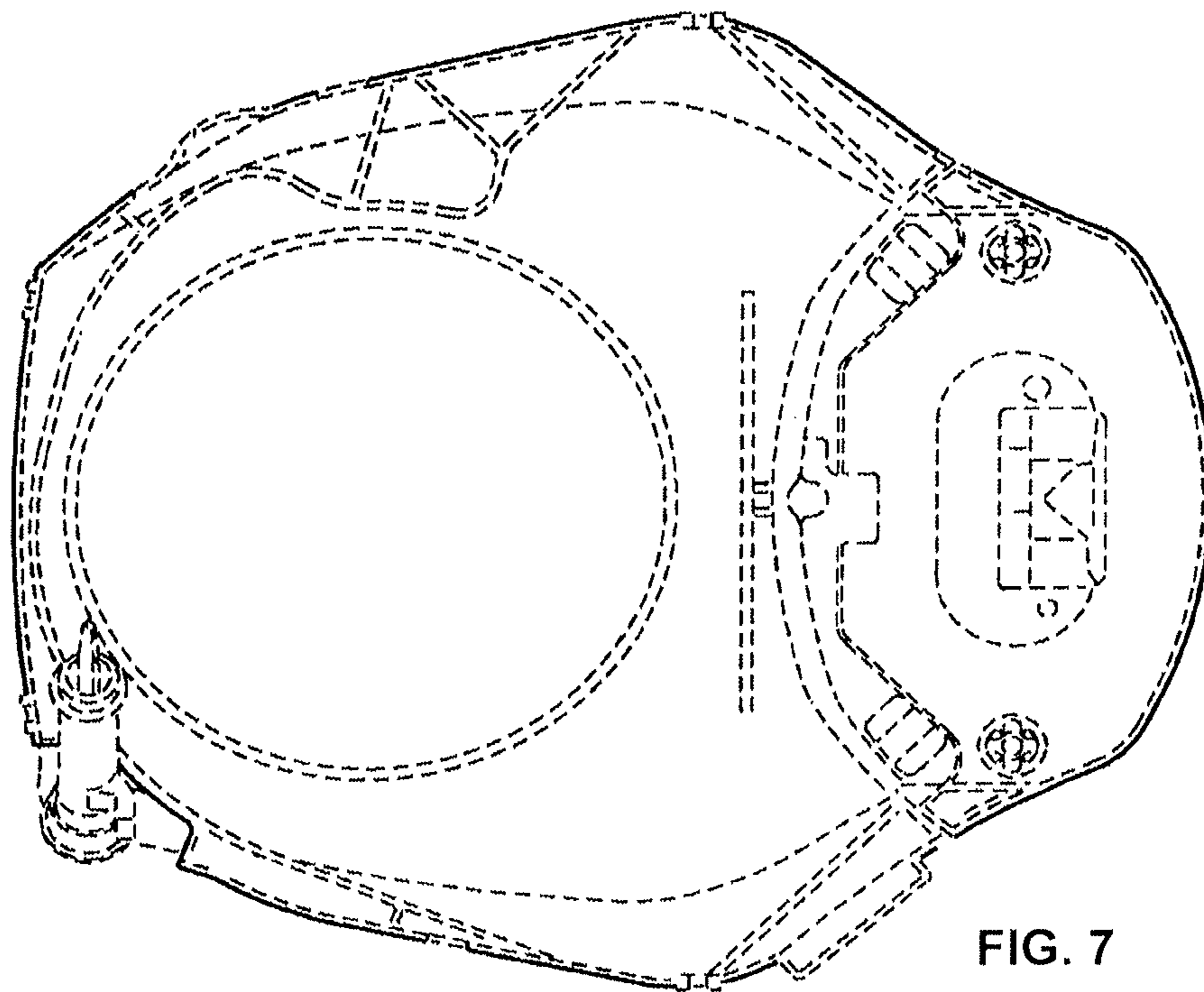


FIG. 7