



US00D742921S

(12) **United States Design Patent**  
**Nakao et al.**

(10) **Patent No.:** **US D742,921 S**  
(45) **Date of Patent:** **\*\* Nov. 10, 2015**

(54) **PISTON**

(56) **References Cited**

(71) Applicant: **Yanmar Co., Ltd.**, Osaka-shi (JP)

U.S. PATENT DOCUMENTS

(72) Inventors: **Seishi Nakao**, Osaka (JP); **Keiichiro Yuzaki**, Osaka (JP)

D377,493 S \* 1/1997 Oda et al. .... D15/5  
6,971,379 B2 \* 12/2005 Sakai et al. .... 123/661  
7,971,566 B2 \* 7/2011 Grossle et al. .... 123/193.6  
8,701,626 B2 \* 4/2014 Gu et al. .... 123/275

(73) Assignee: **Yanmar Co., Ltd.**, Osaka (JP)

\* cited by examiner

(\*\*) Term: **14 Years**

*Primary Examiner* — T. Chase Nelson

*Assistant Examiner* — Ania Aman

(21) Appl. No.: **29/502,841**

(74) *Attorney, Agent, or Firm* — Sterne, Kessler, Goldstein & Fox P.L.L.C.

(22) Filed: **Sep. 19, 2014**

(57) **CLAIM**

The ornamental design for a piston, as shown and described.

(30) **Foreign Application Priority Data**

**DESCRIPTION**

Mar. 20, 2014 (JP) ..... D2014-006013

FIG. 1 is a top perspective view of a piston showing our new design;

(51) **LOC (10) Cl.** ..... **15-01**

FIG. 2 is a front view thereof;

(52) **U.S. Cl.**

FIG. 3 is a rear view thereof;

USPC ..... **D15/5**

FIG. 4 is a left side view thereof;

(58) **Field of Classification Search**

FIG. 5 is a right side view thereof;

USPC ..... D15/1-5, 7; 123/193.6, 47 A, 47 R,  
123/41.35, 661, 659

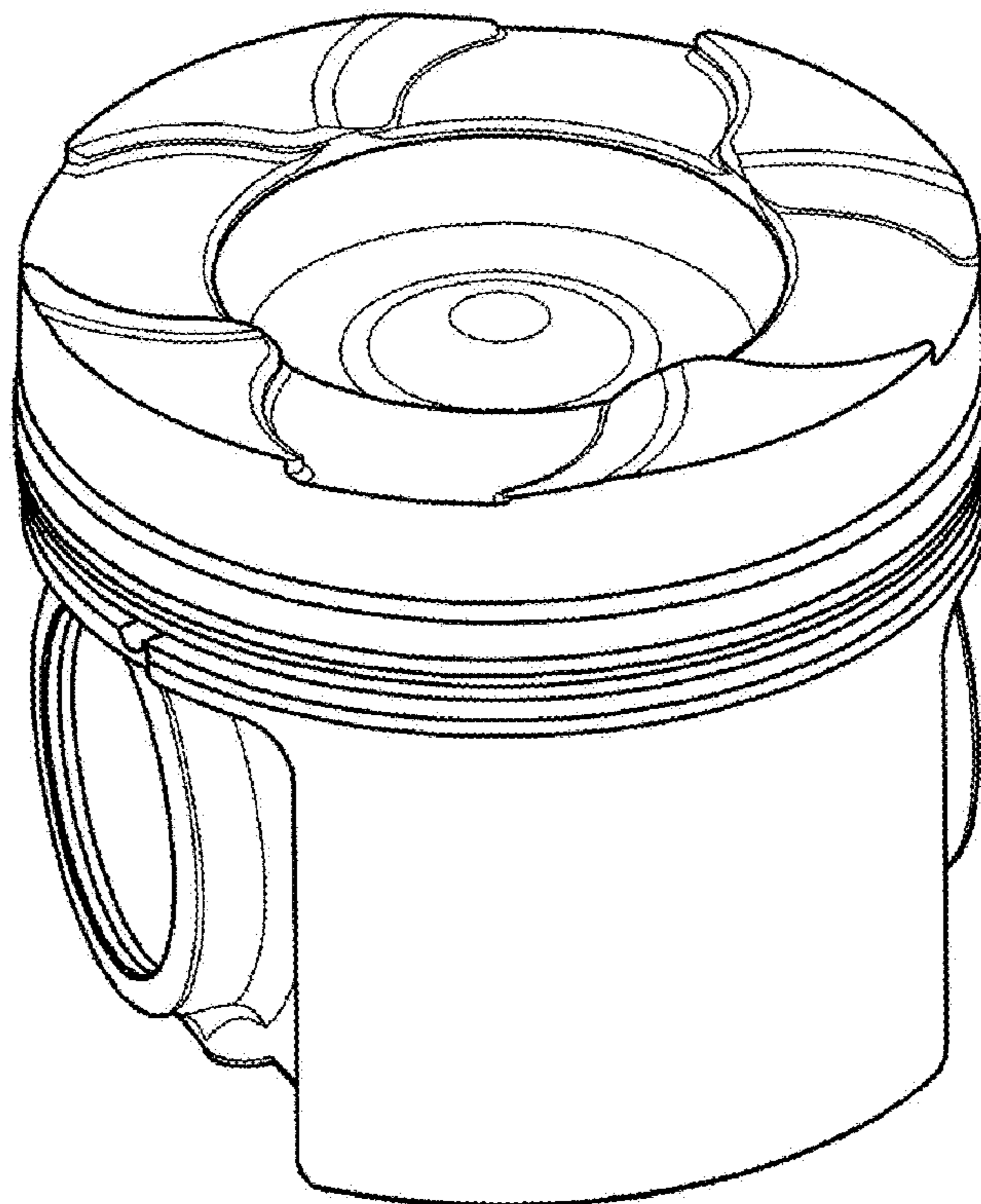
FIG. 6 is a top view thereof; and,

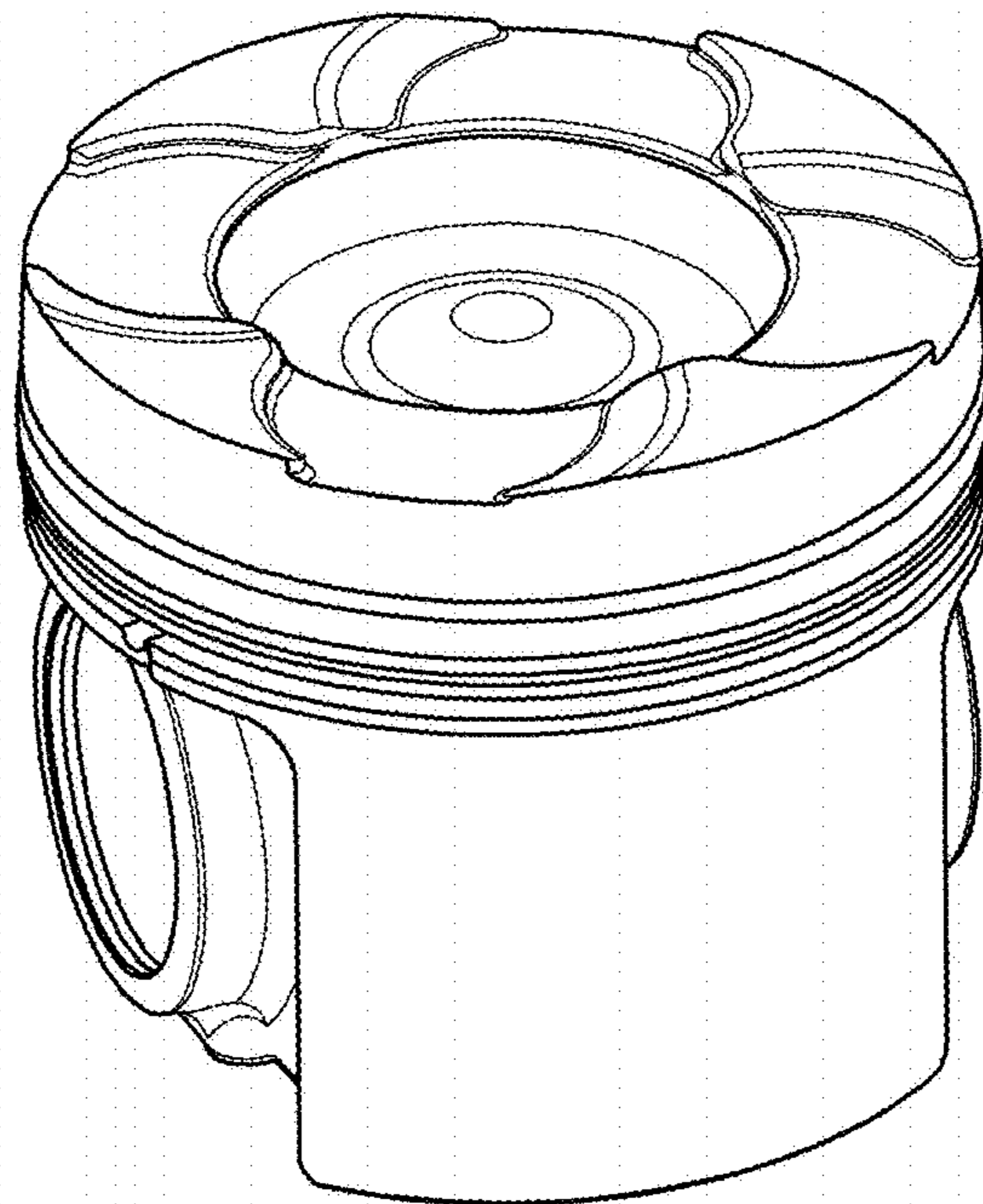
FIG. 7 is a bottom view thereof.

See application file for complete search history.

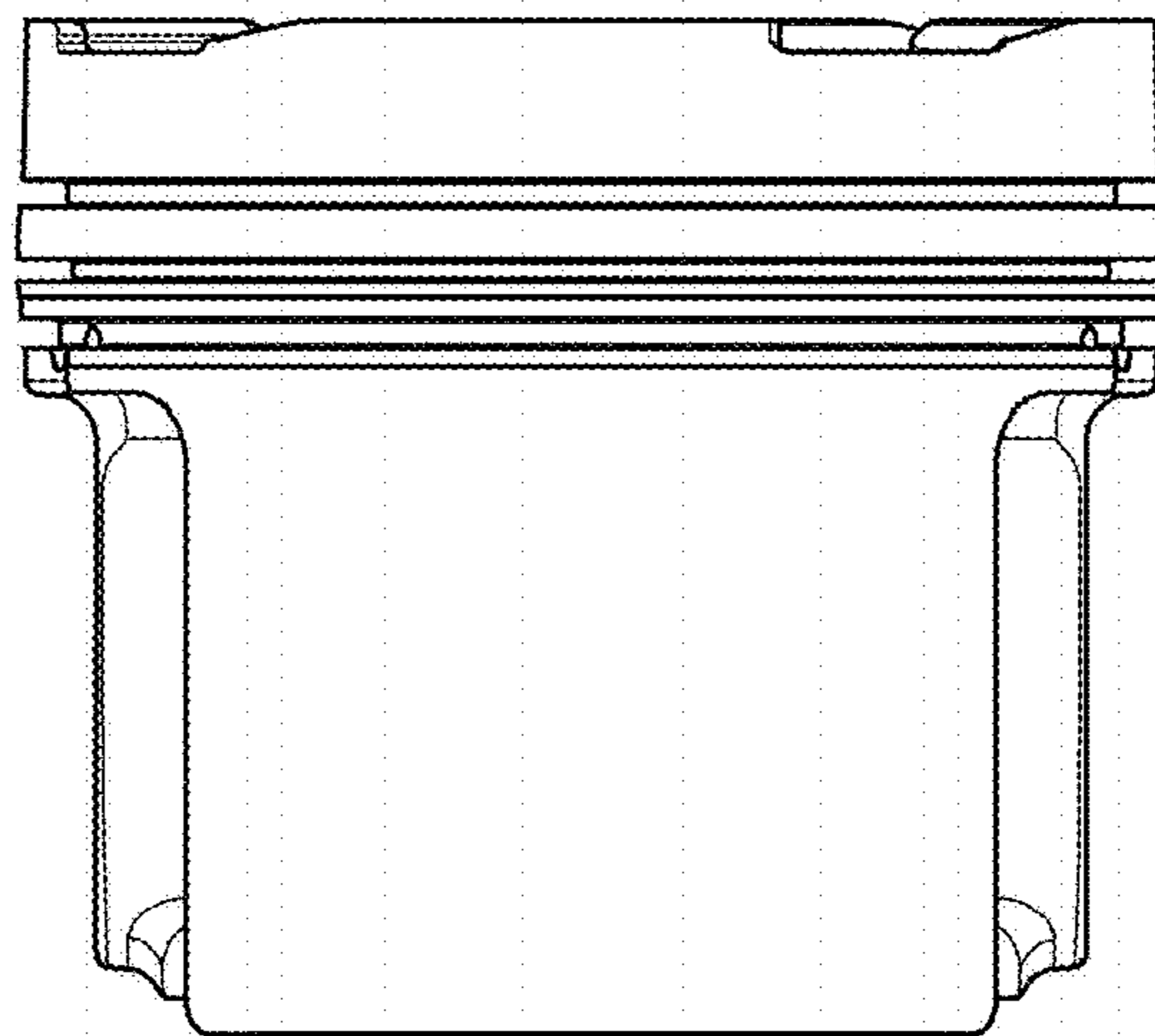
The broken lines in the Figures show portions of the piston that form no part of the claimed design.

**1 Claim, 4 Drawing Sheets**

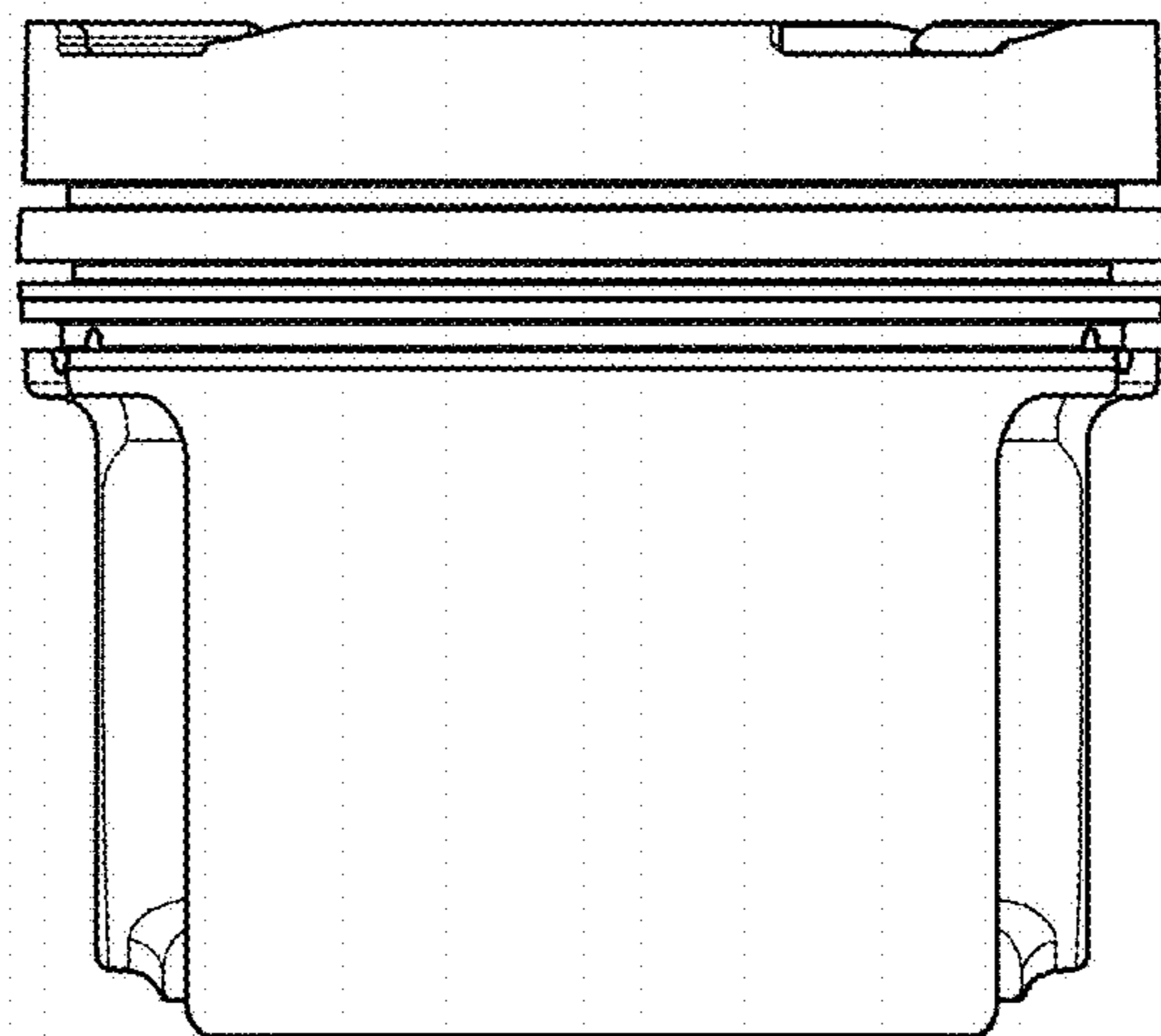




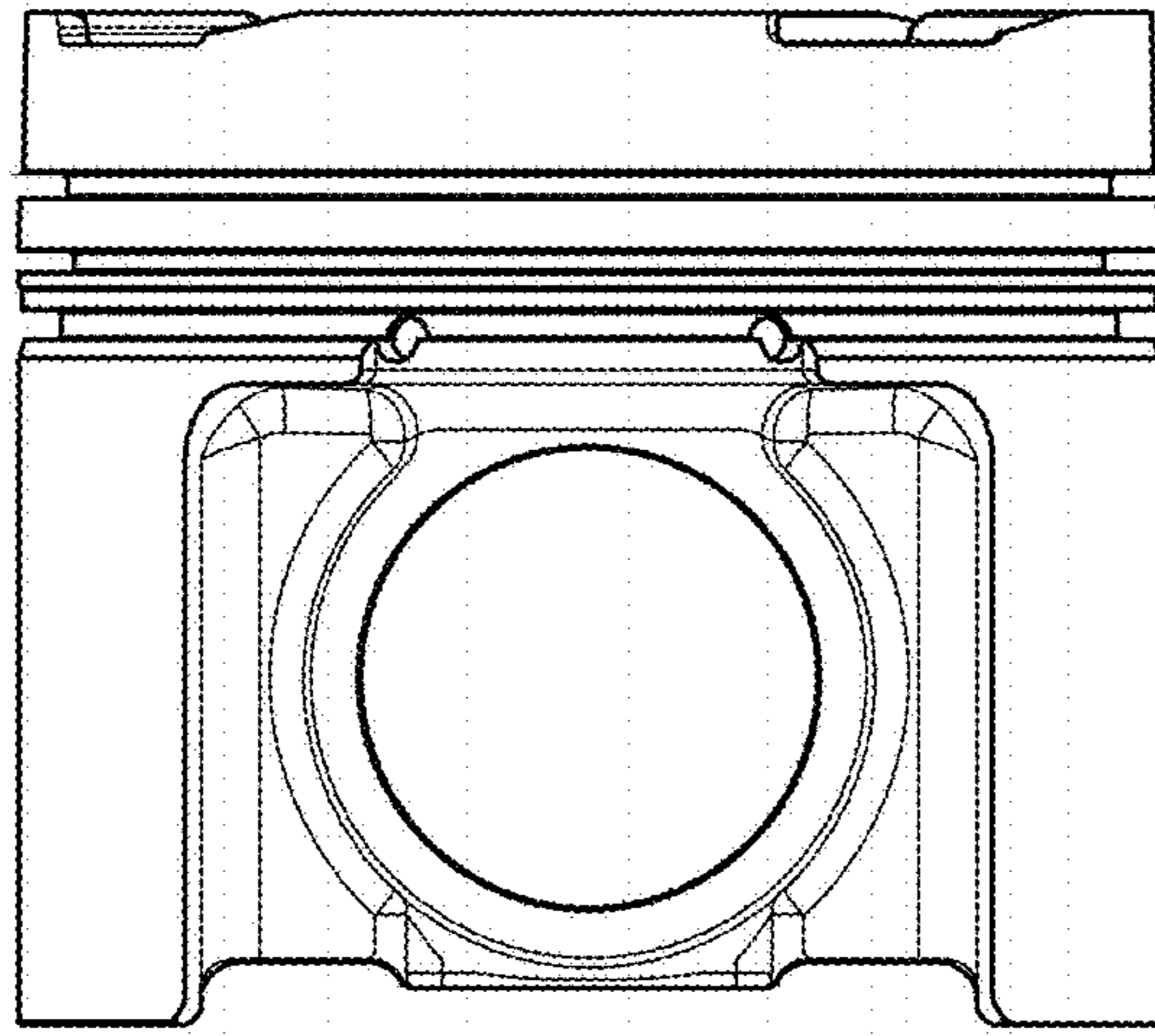
**FIG. 1**



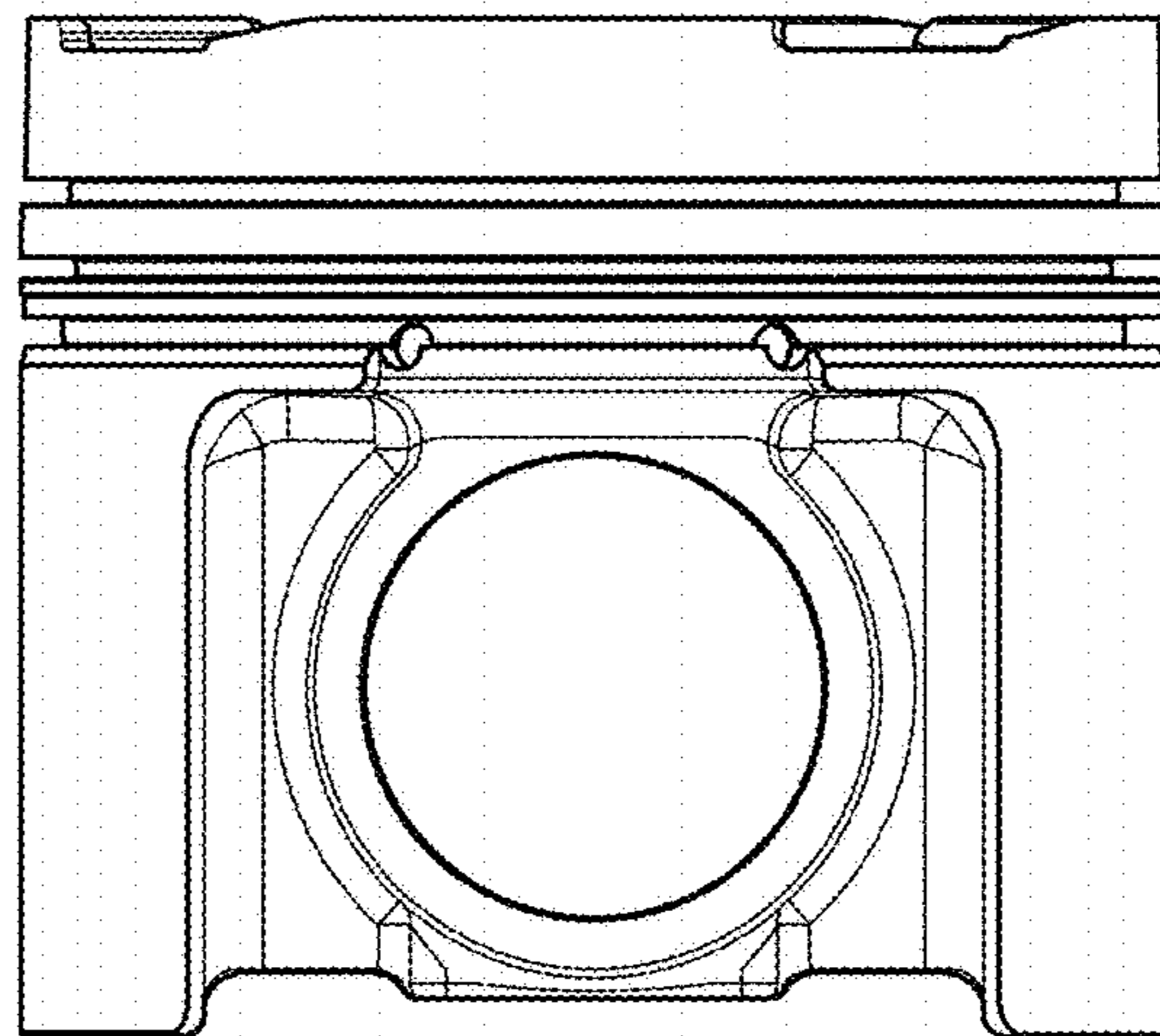
**FIG. 2**



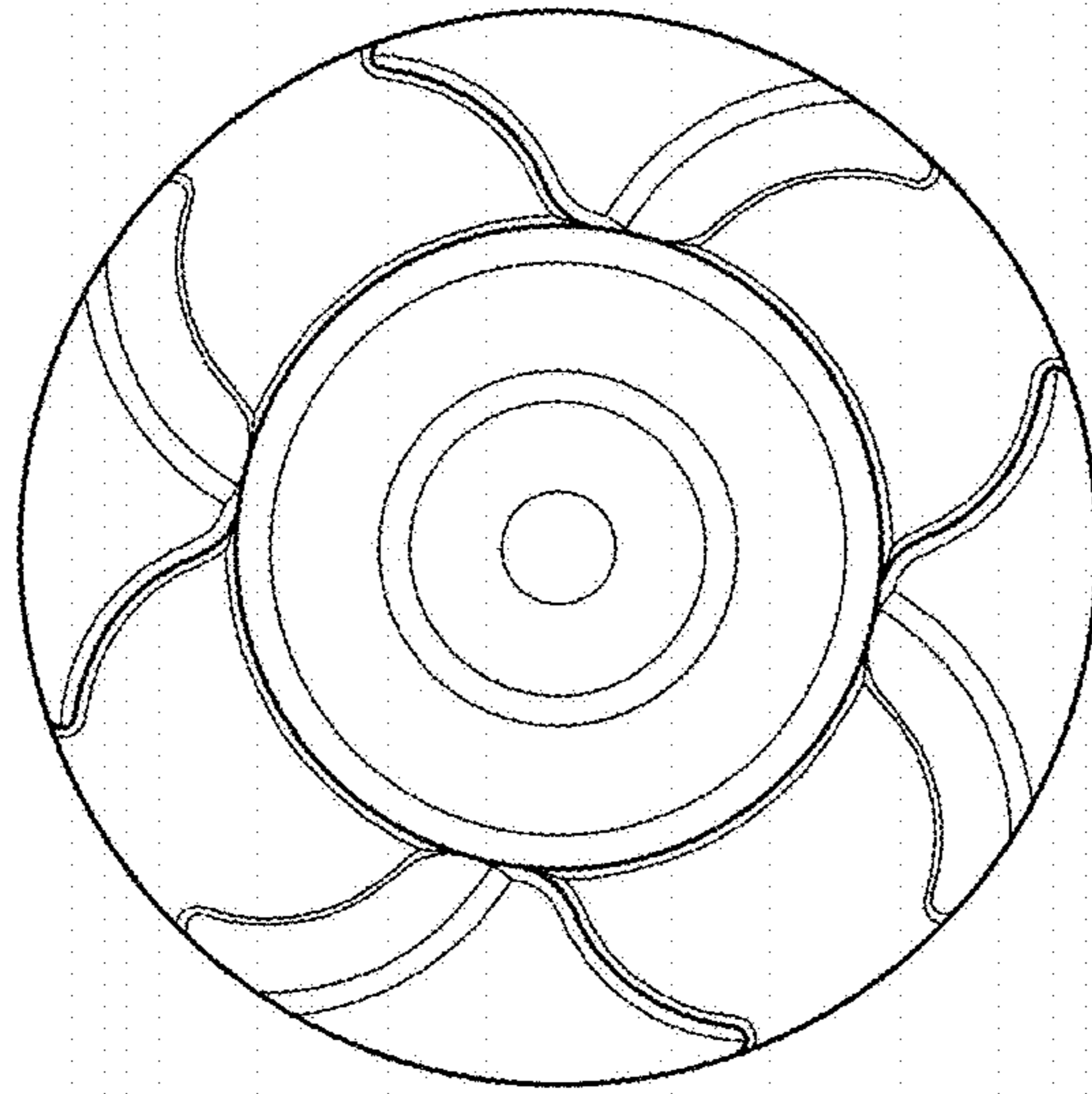
**FIG. 3**



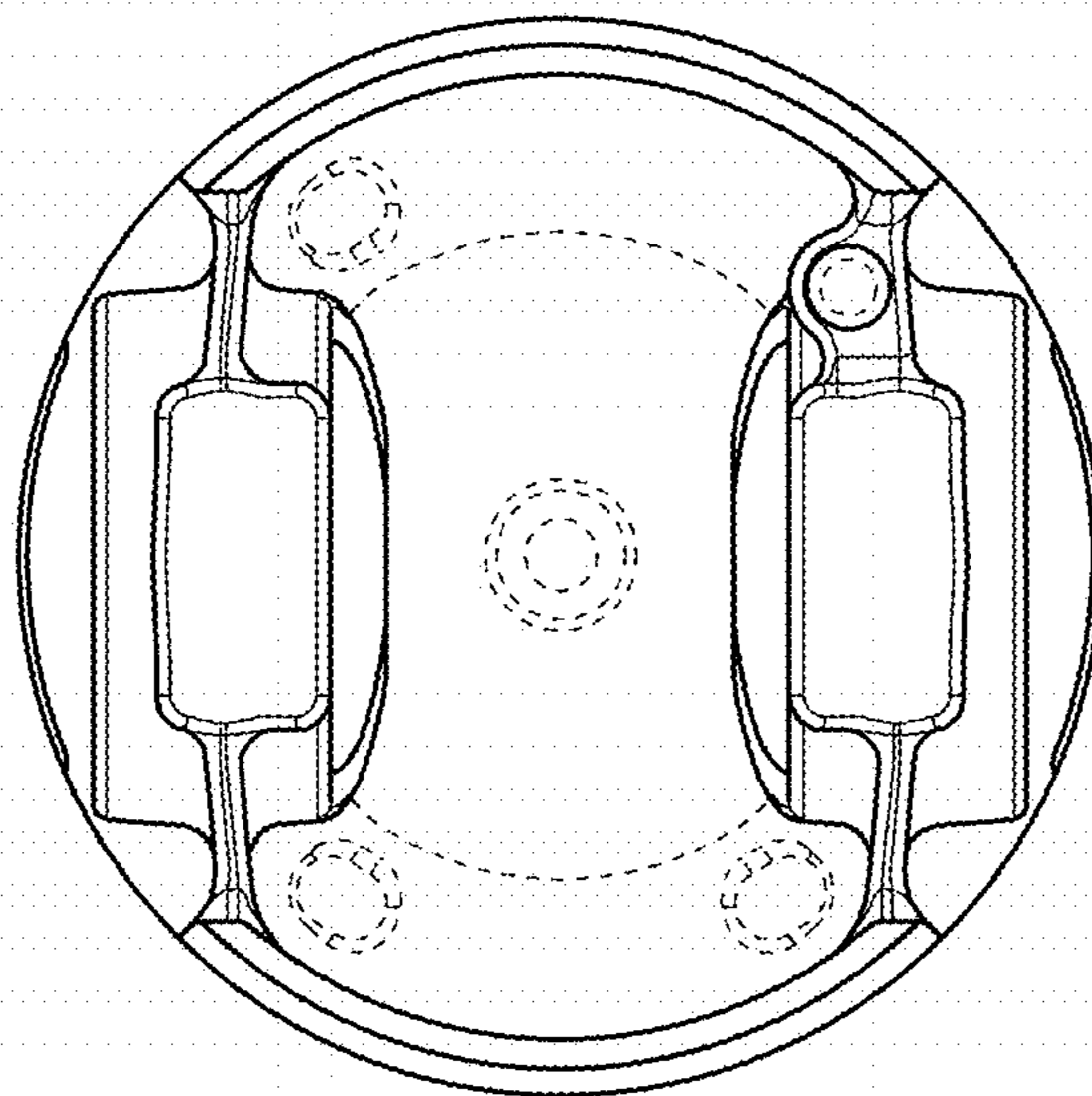
**FIG. 4**



**FIG. 5**



**FIG. 6**



**FIG. 7**