



US00D742914S

(12) **United States Design Patent**
Daniel

(10) **Patent No.:** **US D742,914 S**

(45) **Date of Patent:** **** Nov. 10, 2015**

- (54) **COMPUTER SCREEN WITH ICON**
- (71) Applicant: **Isaac S. Daniel**, Miramar, FL (US)
- (72) Inventor: **Isaac S. Daniel**, Miramar, FL (US)
- (**) Term: **14 Years**
- (21) Appl. No.: **29/482,449**
- (22) Filed: **Feb. 18, 2014**

Related U.S. Application Data

- (62) Division of application No. 29/428,651, filed on Aug. 1, 2012, now Pat. No. Des. 716,341.
- (51) **LOC (10) Cl.** **14-04**
- (52) **U.S. Cl.**
USPC **D14/489**
- (58) **Field of Classification Search**
USPC D14/485–495
CPC G06F 3/048; G06F 3/04817; G06F 3/0482
See application file for complete search history.

References Cited

U.S. PATENT DOCUMENTS

D398,001 S *	9/1998	Bohnert et al.	D14/493
D399,196 S *	10/1998	Arora et al.	D14/490
D405,774 S *	2/1999	Yui et al.	D14/488
D420,995 S *	2/2000	Imamura et al.	D14/486
D440,979 S *	4/2001	Wang et al.	D14/489
D457,890 S *	5/2002	Chaudhri et al.	D14/493
D469,105 S *	1/2003	Hammerquist et al.	D14/486
6,535,842 B1 *	3/2003	Roche et al.	704/7
D478,090 S *	8/2003	Nguyen et al.	D14/486
D484,142 S *	12/2003	Bungert 704/7	D14/489
6,657,647 B1 *	12/2003	Bright 715/856	D14/486
D495,715 S *	9/2004	Gildred 715/856	D14/486
D496,667 S *	9/2004	Hoglund 715/856	D14/489
D506,474 S *	6/2005	Gildred 715/856	D14/486

D522,529 S *	6/2006	Gibson 715/243	D14/489
D523,442 S *	6/2006	Hiramatsu 715/243	D14/488
D525,630 S *	7/2006	Tocco et al.	D14/486
D532,014 S *	11/2006	Hoefnagels et al.	D14/485
D533,874 S *	12/2006	Gusmorino et al.	D14/492
D535,659 S *	1/2007	Hally et al.	D14/485
D544,871 S *	6/2007	Lim et al.	D14/485
D545,834 S *	7/2007	Anthony et al.	D14/488
D545,835 S *	7/2007	Anthony et al.	D14/488
D546,343 S *	7/2007	Anthony et al.	D14/488
D549,726 S *	8/2007	Van Dongen et al.	D14/491
D551,676 S *	9/2007	Cummins et al.	D14/486
D554,146 S *	10/2007	Gusmorino et al.	D14/492
D568,892 S *	5/2008	Stabb et al.	D14/485
7,467,351 B1 *	12/2008	Spells et al.	715/243
D585,074 S *	1/2009	Ismail 715/243	D14/488
D590,407 S *	4/2009	Watanabe et al.	D14/485
D593,108 S *	5/2009	Danton 715/243	D14/485
D593,571 S *	6/2009	Ball et al.	D14/485
D594,026 S *	6/2009	Ball et al.	D14/488
D599,358 S *	9/2009	Hoefnagels et al.	D14/485
D599,359 S *	9/2009	Hoefnagels et al.	D14/485

(Continued)

Primary Examiner — Kevin Rudzinski

(74) *Attorney, Agent, or Firm* — Carol N. Green Kaul, Esq.

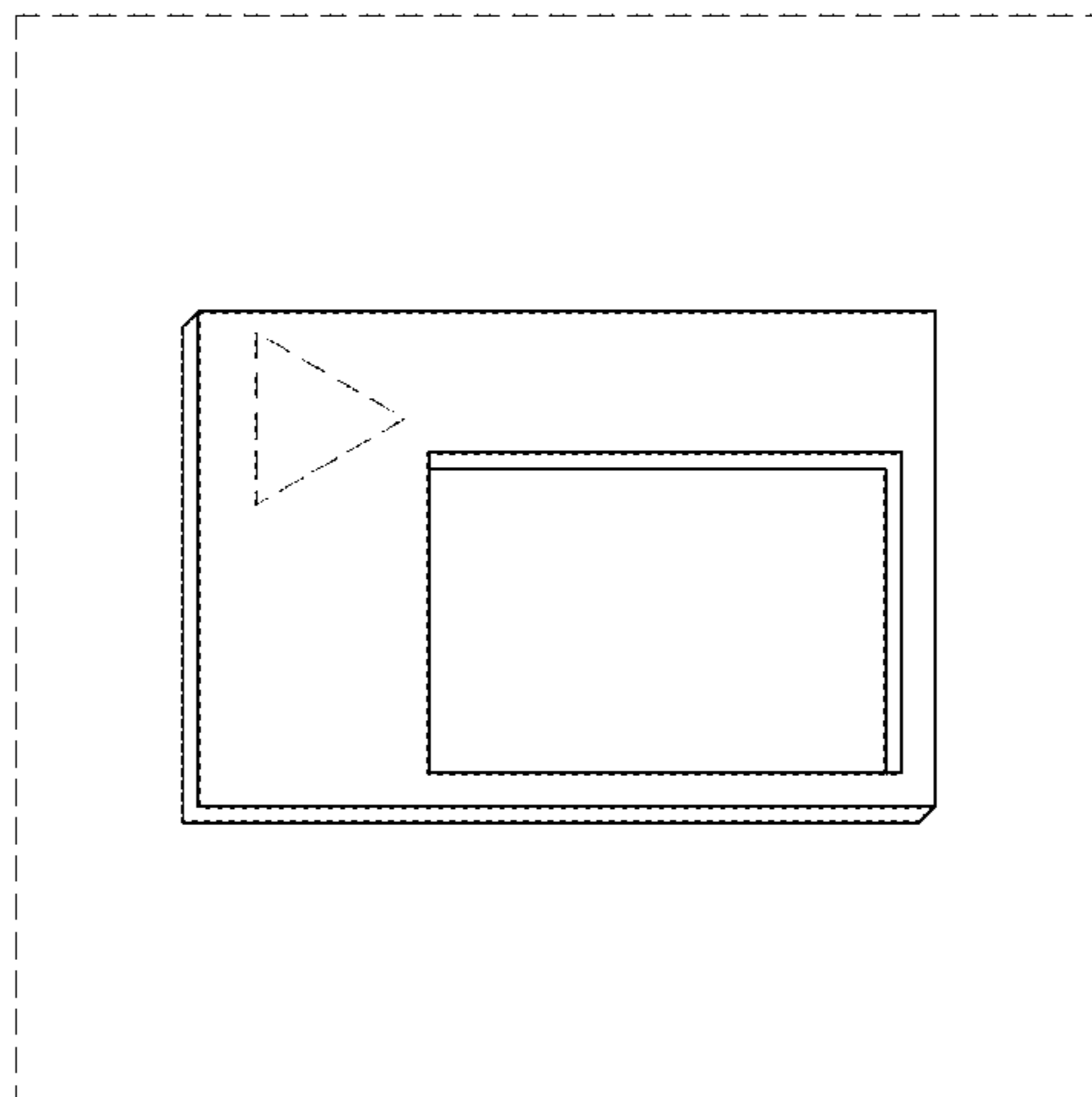
(57) **CLAIM**

The ornamental design for a computer screen with icon, as shown and described.

DESCRIPTION

FIG. 1 is a front view of a computer screen with icon.
 FIG. 2 is a perspective view of the computer screen with icon.
 FIG. 3 is a second perspective view of the computer screen with icon; and,
 FIG. 4 is another embodiment of the computer screen with icon.
 The broken lines showing the computer screen and portions of the icon form no part of the claimed design.

1 Claim, 2 Drawing Sheets



(56)

References Cited

U.S. PATENT DOCUMENTS

D599,361	S	*	9/2009	Hoefnagels	D14/485
D599,817	S	*	9/2009	Mays	D14/493
D601,168	S	*	9/2009	Barcheck	D14/492
D603,418	S	*	11/2009	Magnani et al.	D14/486
D608,365	S	*	1/2010	Walsh et al.	D14/485
D615,098	S	*	5/2010	Winjum	D14/492
D616,895	S	*	6/2010	Ehrler et al.	D14/486
D629,814	S	*	12/2010	Lew	D14/492
D633,525	S	*	3/2011	Trabona et al.	D14/495
D633,526	S	*	3/2011	Trabona et al.	D14/495
D633,920	S	*	3/2011	Luke et al.	D14/488
D634,750	S	*	3/2011	Loretan et al.	D14/486
D634,753	S	*	3/2011	Loretan et al.	D14/488
D635,989	S	*	4/2011	Bright et al.	D14/493
D638,433	S	*	5/2011	Urdan et al.	D14/488
D638,435	S	*	5/2011	Cavanaugh et al.	D14/488
D638,439	S	*	5/2011	Cavanaugh et al.	D14/488
D645,872	S	*	9/2011	Smith	D14/488
D645,874	S	*	9/2011	Cavanaugh et al.	D14/488
D647,103	S	*	10/2011	Barcheck et al.	D14/489
D647,915	S	*	11/2011	Urdan et al.	D14/488
D649,159	S	*	11/2011	Viggers et al.	D14/492
D650,797	S	*	12/2011	Jang et al.	D14/492
D650,799	S	*	12/2011	Wantland et al.	D14/493
D652,427	S	*	1/2012	Willekes et al.	D14/488
D659,709	S	*	5/2012	Eby et al.	D14/492
D661,703	S	*	6/2012	Okumura et al.	D14/489
D666,208	S	*	8/2012	Spears et al.	D14/486
D673,176	S	*	12/2012	Phelan	D14/492
D677,270	S	*	3/2013	Wen et al.	D14/488
D677,276	S	*	3/2013	Eby et al.	D14/492
D677,277	S	*	3/2013	Eby et al.	D14/492
D677,693	S	*	3/2013	Koehn et al.	D14/492
D681,053	S	*	4/2013	Okumura et al.	D14/493
D681,652	S	*	5/2013	Oda et al.	D14/485
D682,297	S	*	5/2013	DiJulio et al.	D14/487
D683,358	S	*	5/2013	Garn et al.	D14/489
D686,242	S	*	7/2013	Gabouer et al.	D14/489
D687,060	S	*	7/2013	Daniel	D14/489
D688,676	S	*	8/2013	Okumura et al.	D14/486
D692,018	S	*	10/2013	Wenz et al.	D14/488
D692,904	S	*	11/2013	Garn et al.	D14/486
D693,365	S	*	11/2013	Gardner et al.	D14/489
D693,366	S	*	11/2013	Daniel	D14/489
D693,367	S	*	11/2013	Daniel	D14/489
D693,846	S	*	11/2013	Daniel	D14/489
D694,261	S	*	11/2013	Daniel	D14/489
D695,311	S	*	12/2013	Jang et al.	D14/491
D699,263	S	*	2/2014	Courage et al.	D14/489
D702,729	S	*	4/2014	Steele et al.	D14/492
D704,221	S	*	5/2014	Ma et al.	D14/492
D706,293	S	*	6/2014	Bautista	D14/489
D706,295	S	*	6/2014	Daniel	D14/489
D709,090	S	*	7/2014	Eilam	D14/489
D711,392	S	*	8/2014	Campiranon et al.	D14/485
D711,393	S	*	8/2014	Campiranon et al.	D14/485
D713,417	S	*	9/2014	Daniel	D14/492
D714,341	S	*	9/2014	Daniel	D14/492
D714,342	S	*	9/2014	Barling	D14/492
D716,341	S	*	10/2014	Daniel	D14/489
D716,346	S	*	10/2014	Daniel	D14/492
D719,178	S	*	12/2014	Daniel	D14/485
D719,179	S	*	12/2014	Daniel	D14/485
D720,368	S	*	12/2014	Daniel	D14/489
D721,733	S	*	1/2015	Daniel	D14/492
D721,734	S	*	1/2015	Daniel	D14/492
D722,324	S	*	2/2015	Florence et al.	D14/488
D722,325	S	*	2/2015	Williams et al.	D14/489
D722,326	S	*	2/2015	Williams et al.	D14/489
D725,149	S	*	3/2015	Baker	D14/492
D726,220	S	*	4/2015	Biehl	D14/492
D726,759	S	*	4/2015	Brinda et al.	D14/488
D726,761	S	*	4/2015	Park et al.	D14/489
D727,964	S	*	4/2015	Ma et al.	D14/492
D728,578	S	*	5/2015	Kito et al.	D14/440
D728,614	S	*	5/2015	Moon et al.	D14/489
D730,369	S	*	5/2015	Yokota et al.	D14/485
D730,939	S	*	6/2015	Lee et al.	D14/492
D732,073	S	*	6/2015	Adams	D14/489
D732,074	S	*	6/2015	Adams	D14/489
2005/0166162	A1	*	7/2005	Kaneko	715/856
2006/0143963	A1	*	7/2006	Nowakowski	40/673
2007/0192728	A1	*	8/2007	Finley et al.	715/782
2009/0222762	A1	*	9/2009	Denver et al.	715/793
2009/0313139	A1	*	12/2009	Nam et al.	705/27
2012/0272162	A1	*	10/2012	Surin et al.	715/753

* cited by examiner

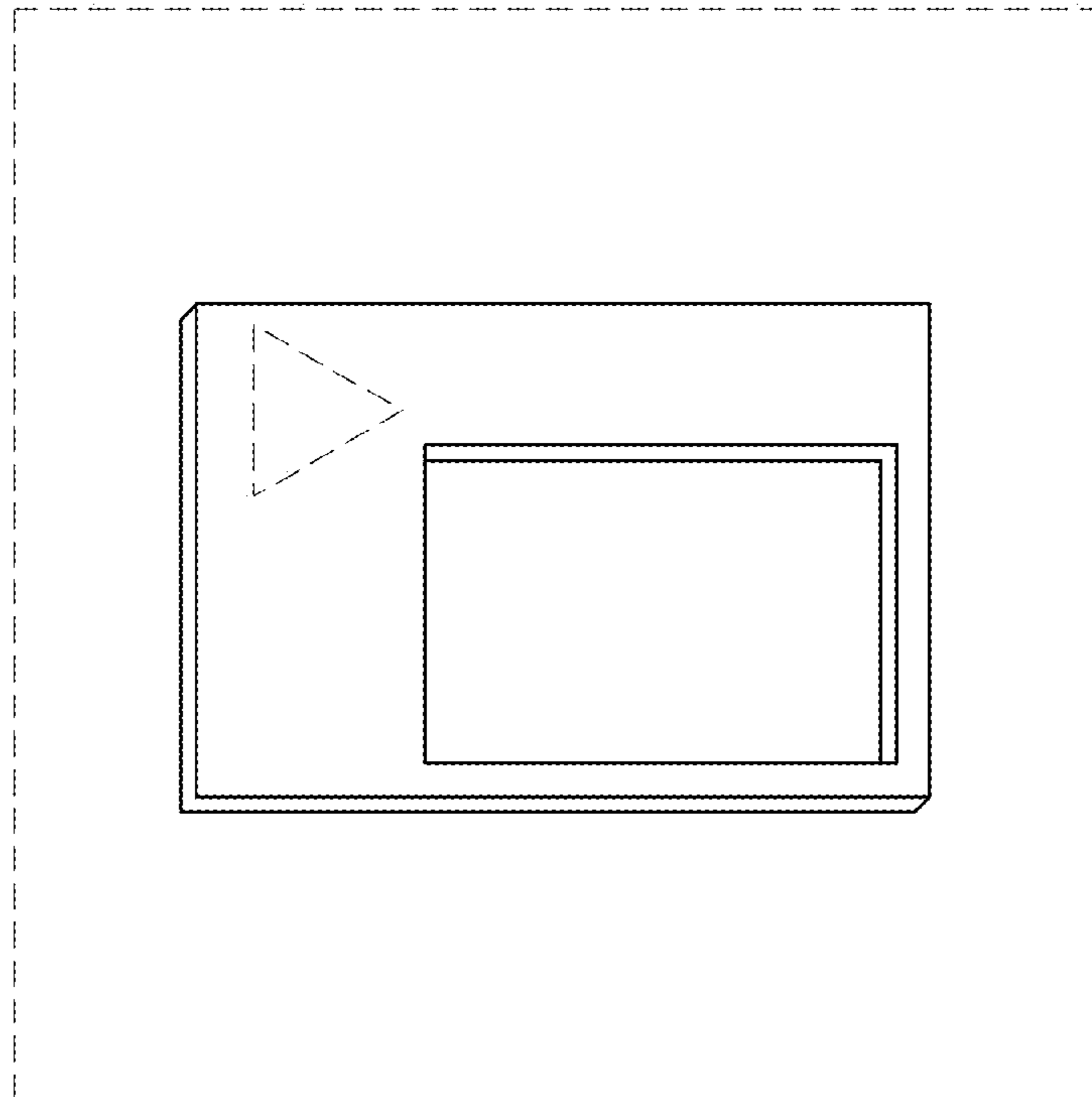


FIG. 1

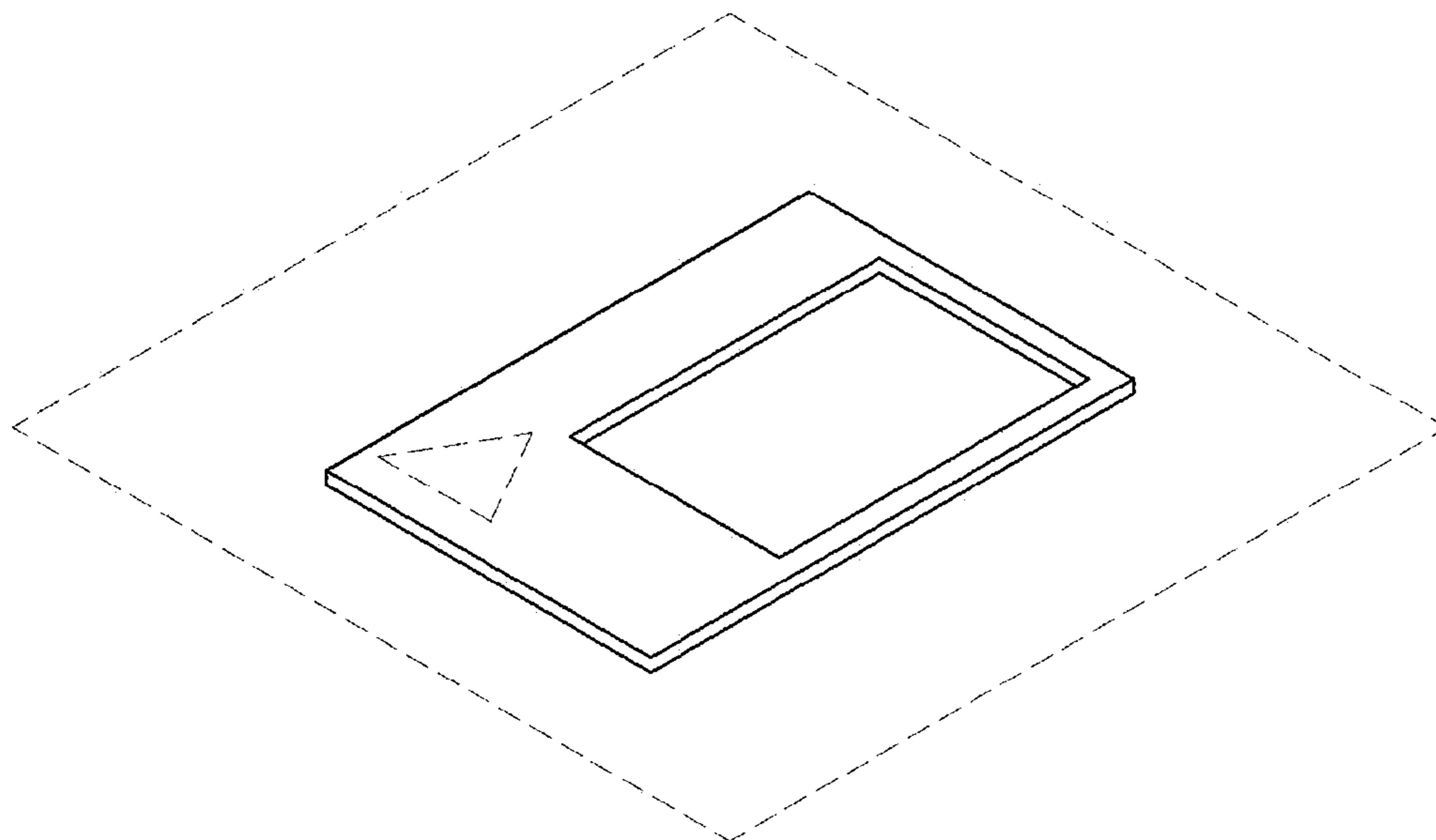


FIG. 2

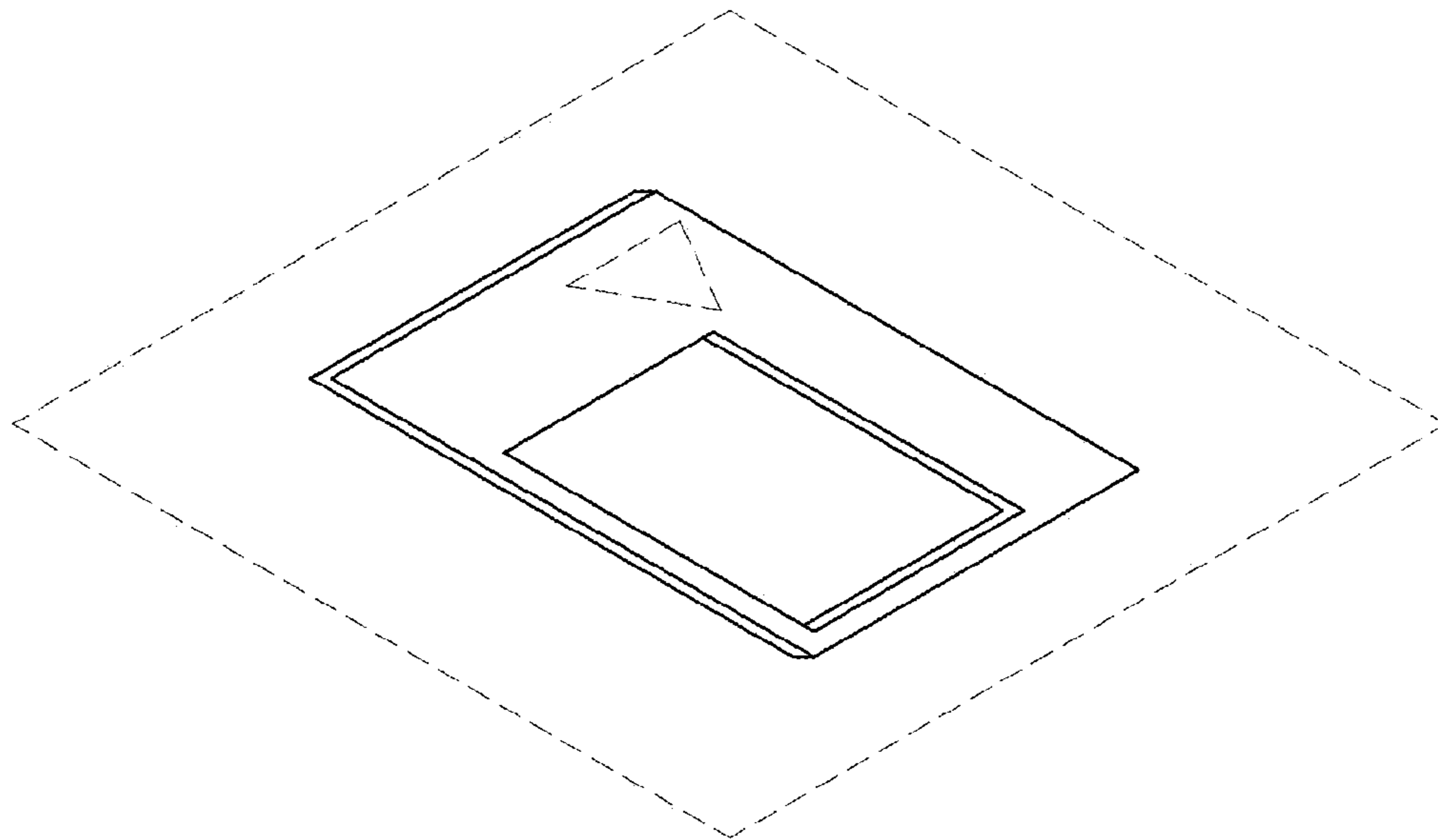


FIG. 3

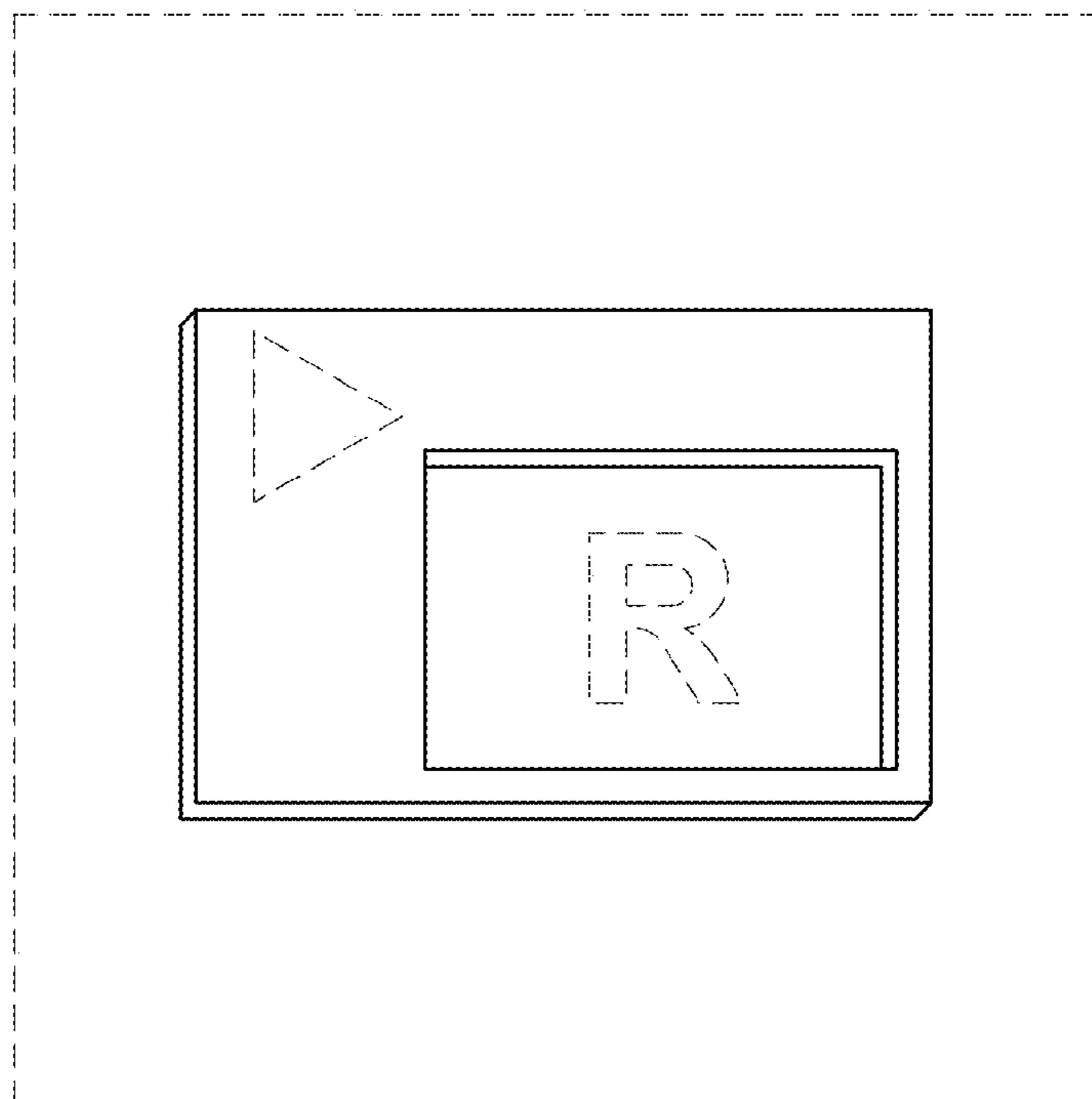


FIG. 4