



US00D742890S

(12) **United States Design Patent**
Mecchella et al.

(10) **Patent No.:** **US D742,890 S**

(45) **Date of Patent:** **** Nov. 10, 2015**

(54) **ELECTRONIC DEVICE COVER**

(71) Applicant: **Amazon Technologies, Inc.**, Seattle, WA (US)

(72) Inventors: **Monica Liane Mecchella**, San Francisco, CA (US); **Christopher Green**, San Francisco, CA (US); **Jesse Wheeler Moore**, Seattle, WA (US)

(73) Assignee: **Amazon Technologies, Inc.**, Seattle, WA (US)

(**) Term: **14 Years**

(21) Appl. No.: **29/502,366**

(22) Filed: **Sep. 15, 2014**

(51) **LOC (10) Cl.** **14-02**

(52) **U.S. Cl.**
USPC **D14/440**

(58) **Field of Classification Search**

USPC D14/250, 251, 253, 240, 217, 496, 440, D14/203.3, 203.4, 203.5, 203.8, 341, 318; D3/218, 215, 201, 294, 289, 900; 220/4.02; 248/309.1; 361/679.56; 379/426, 433.11, 455; 455/575.1, 455/575.8, 457.1; 190/100; 206/305, 320, 206/45.2; D21/469; 312/240
CPC ... G06F 1/1601; G06F 1/1626; G06F 1/1633; G06F 1/1675; G06F 1/1679; G02F 1/1306; G02F 1/133; G02F 1/133308; G02F 1/153; G02F 1/1533; G02F 2001/133317; H04M 1/185; H04M 1/0252; H04B 1/3888
See application file for complete search history.

(56) **References Cited**

U.S. PATENT DOCUMENTS

D323,937 S * 2/1992 Solomon D3/299
D359,507 S * 6/1995 Schmidt D19/26
D558,267 S * 12/2007 Bharna D19/26

D582,405 S * 12/2008 Andre et al. D3/299
D639,806 S * 6/2011 Lee et al. D14/345
D669,480 S * 10/2012 Piedra et al. D14/440
D687,438 S * 8/2013 Lu D14/440
D700,184 S * 2/2014 Boldetti et al. D14/440
D700,611 S * 3/2014 Boldetti et al. D14/440
D710,859 S * 8/2014 Mecchella et al. D14/440
D721,080 S * 1/2015 Mecchella et al. D14/440
D721,081 S * 1/2015 Hirst D14/440

(Continued)

OTHER PUBLICATIONS

The Japanese Office Action mailed Jun. 19, 2015 for Japanese patent application No. 2015-004375, a counterpart foreign application of U.S. Appl. No. 29/502,366, 4 pages.

Primary Examiner — Cynthia Underwood

(74) *Attorney, Agent, or Firm* — Lee & Hayes, PLLC

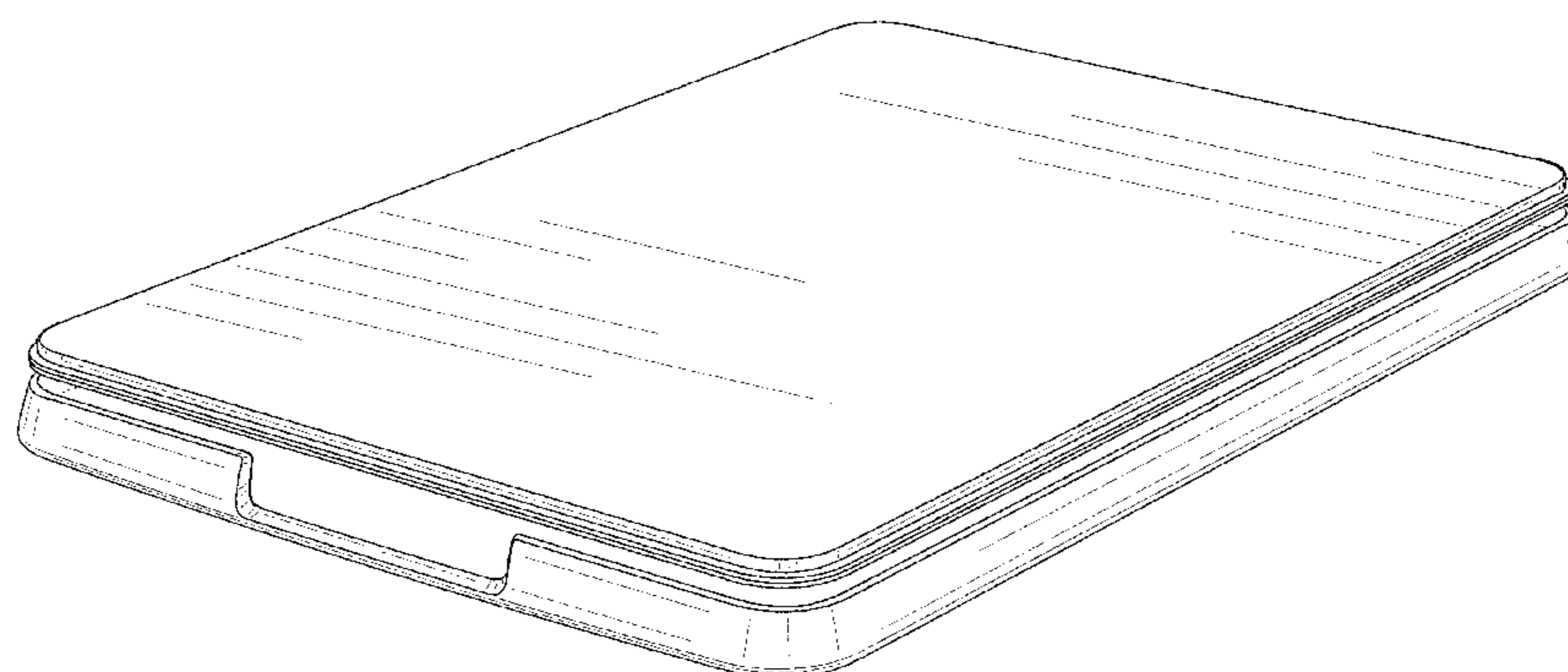
(57) **CLAIM**

The ornamental design for an electronic device cover, as shown and described.

DESCRIPTION

FIG. 1 is a first perspective view of an electronic device cover, taken from above;
FIG. 2 is a second perspective view of the electronic device cover of FIG. 1, taken from below;
FIG. 3 is a front view of the electronic device cover of FIG. 1;
FIG. 4 is a back view of the electronic device cover of FIG. 1;
FIG. 5 is a left-side view of the electronic device cover of FIG. 1;
FIG. 6 is a right-side view of the electronic device cover of FIG. 1;
FIG. 7 is a bottom plan view of the electronic device cover of FIG. 1; and,
FIG. 8 is a top plan view of the electronic device cover of FIG. 1.
The broken lines are included for the purpose of illustrating portions of the structure that form no part of the claimed design.

1 Claim, 6 Drawing Sheets



US D742,890 S

Page 2

(56)

References Cited

U.S. PATENT DOCUMENTS

D729,253 S *	5/2015	Nyholm et al.	D14/440
D733,152 S *	6/2015	Sirichai	D14/440
2012/0043235 A1 *	2/2012	Klement	206/320
D728,579 S *	5/2015	Mecchella et al.	D14/440

* cited by examiner

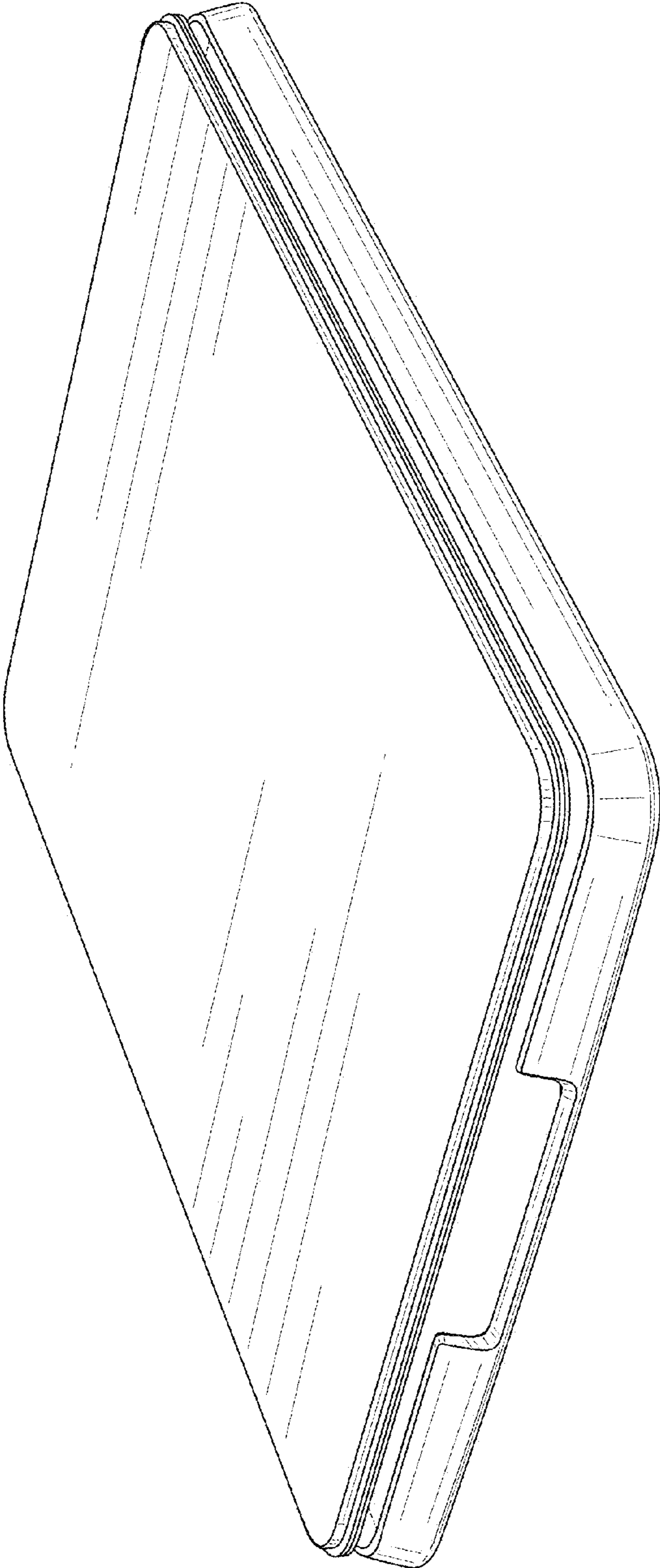


FIG. 1

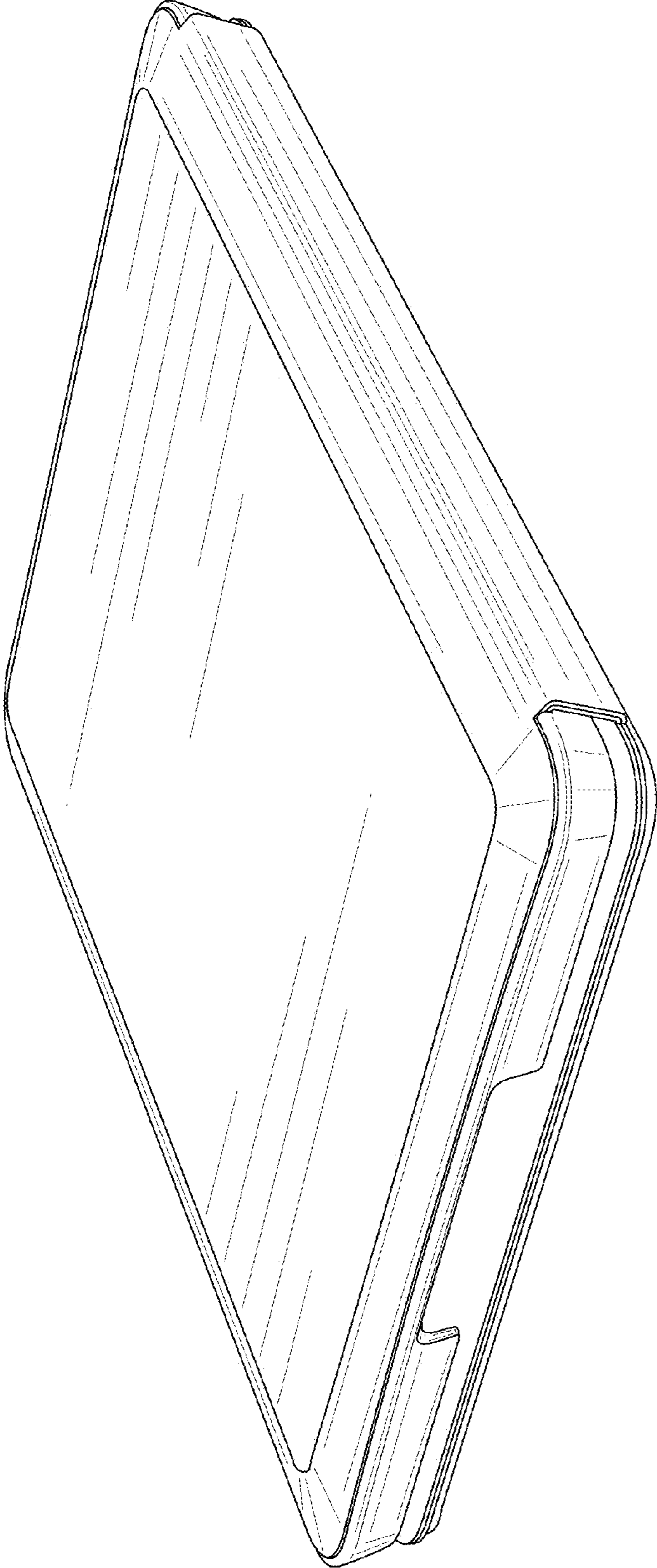


FIG. 2

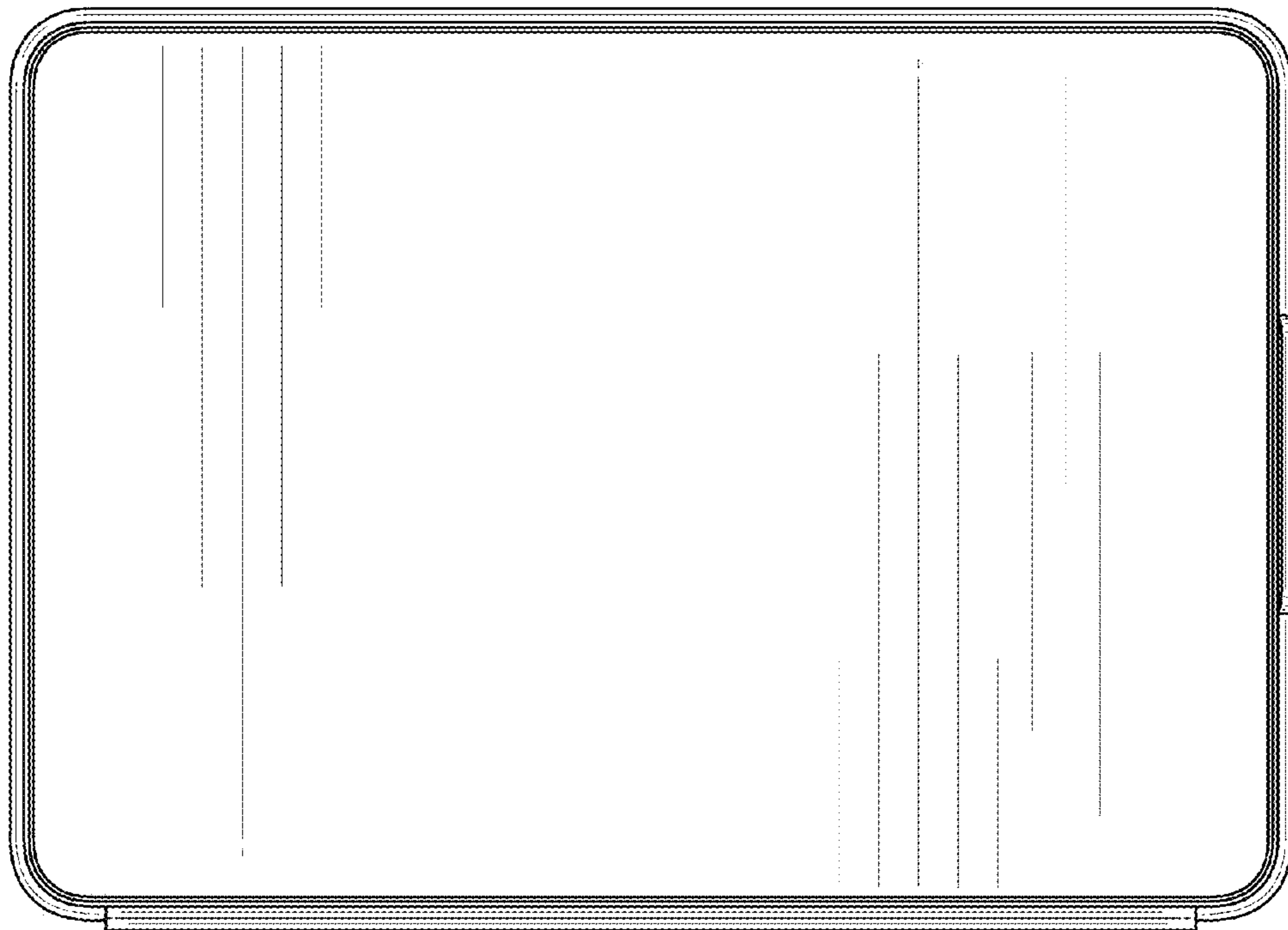


FIG. 3

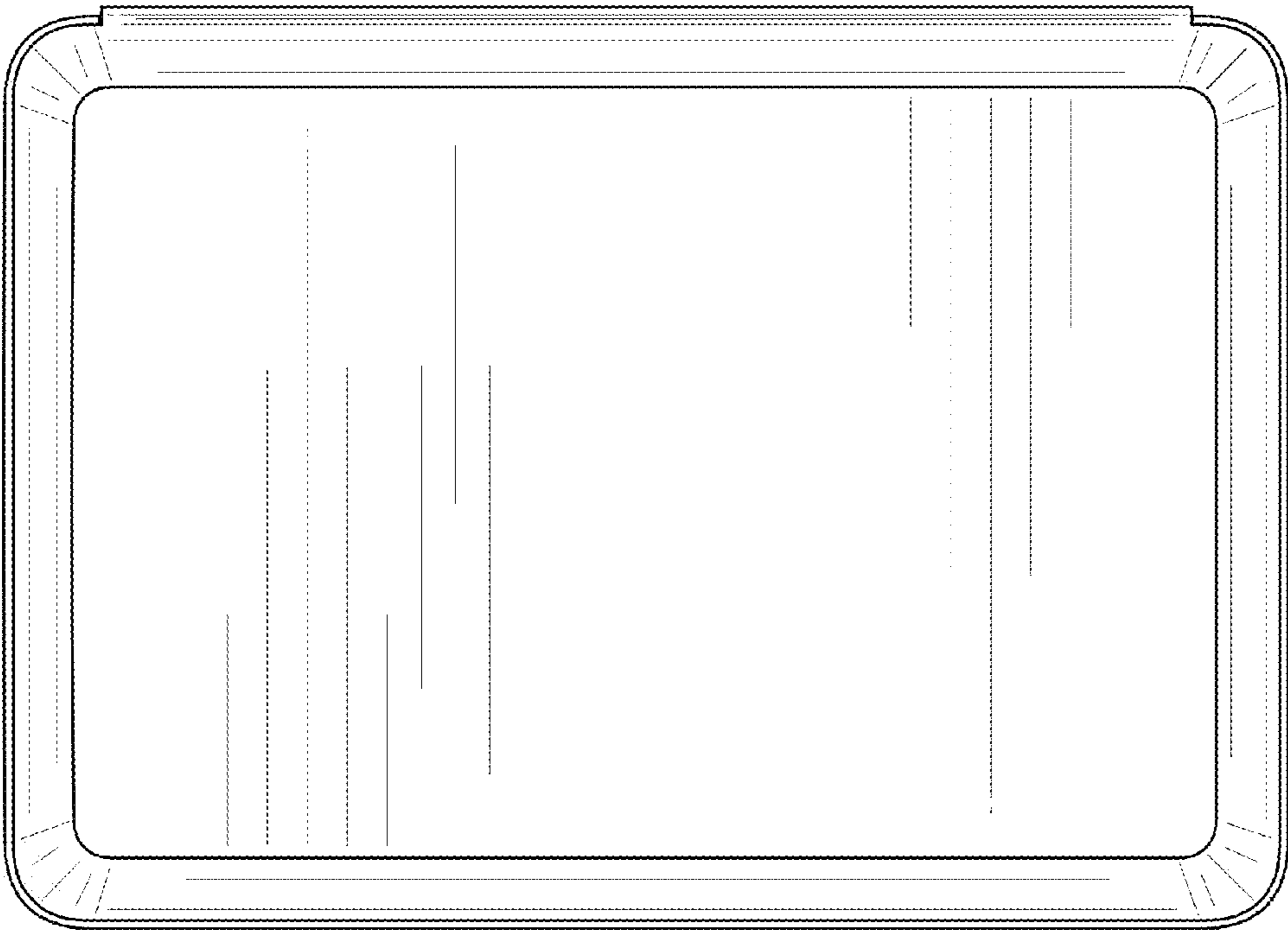


FIG. 4

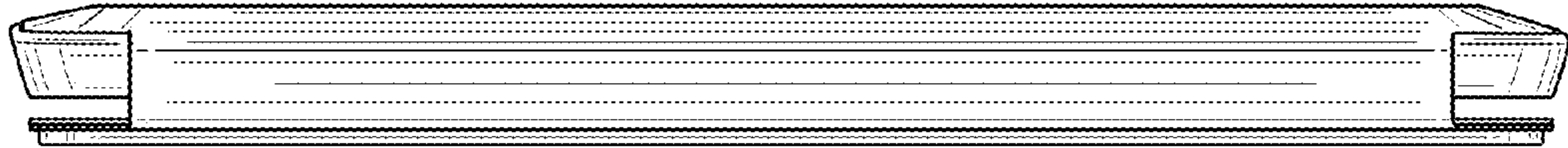


FIG. 5

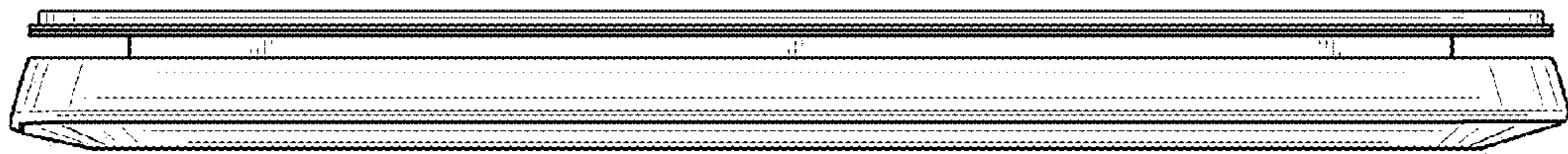


FIG. 6

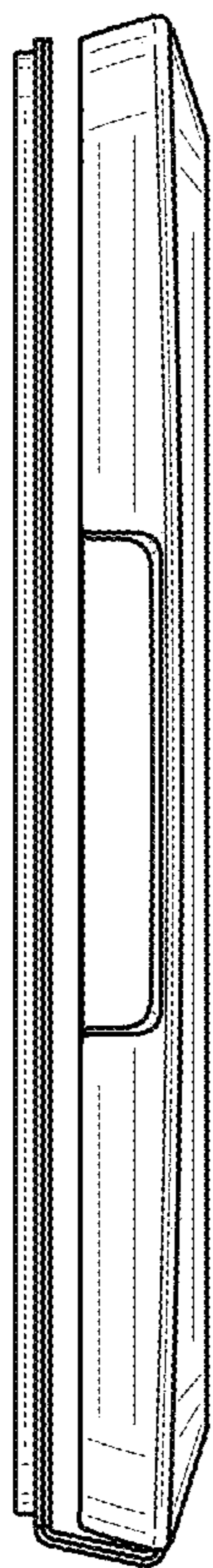


FIG. 7



FIG. 8