



US00D742889S

(12) **United States Design Patent**
Mecchella et al.

(10) **Patent No.:** **US D742,889 S**

(45) **Date of Patent:** **** Nov. 10, 2015**

- (54) **ELECTRONIC DEVICE COVER**
- (71) Applicant: **Amazon Technologies, Inc.**, Seattle, WA (US)
- (72) Inventors: **Monica Liane Mecchella**, San Francisco, CA (US); **Jesse Wheeler Moore**, Oakland, CA (US); **Christopher Green**, San Francisco, CA (US)
- (73) Assignee: **Amazon Technologies, Inc.**, Seattle, WA (US)
- (**) Term: **14 Years**
- (21) Appl. No.: **29/502,364**
- (22) Filed: **Sep. 15, 2014**
- (51) **LOC (10) Cl.** **14-02**
- (52) **U.S. Cl.**
USPC **D14/440**
- (58) **Field of Classification Search**
USPC D14/250, 251, 253, 240, 217, 496, 440, D14/203.3, 203.4, 203.5, 203.8, 341, 318; D3/218, 215, 201, 294, 289, 900; 220/4.02; 248/309.1; 361/679.56; 379/426, 433.11, 455; 455/575.1, 455/575.8, 457.1; 190/100; 206/305, 320, 206/45.2; D21/469; 312/240
CPC ... G06F 1/1601; G06F 1/1626; G06F 1/1633; G06F 1/1675; G06F 1/1679; G02F 1/1306; G02F 1/133; G02F 1/133308; G02F 1/153; G02F 1/1533; G02F 2001/133317; H04M 1/185; H04M 1/0252; H04B 1/3888
See application file for complete search history.

- D582,405 S * 12/2008 Andre et al. D3/299
- D639,806 S * 6/2011 Lee et al. D14/345
- D669,480 S * 10/2012 Piedra et al. D14/440
- D687,438 S * 8/2013 Lu D14/440
- D700,184 S * 2/2014 Boldetti et al. D14/440
- D700,611 S * 3/2014 Boldetti et al. D14/440
- D710,859 S * 8/2014 Mecchella et al. D14/440
- D721,080 S * 1/2015 Mecchella et al. D14/440
- D721,081 S * 1/2015 Hirst D14/440

(Continued)

OTHER PUBLICATIONS

Japanese Office Action mailed Jun. 19, 2015 for Japanese patent application No. 2015-004373, a counterpart foreign application of U.S. Appl. No. 29/502,364, 3 pages.

Primary Examiner — Cynthia Underwood

(74) *Attorney, Agent, or Firm* — Lee & Hayes, PLLC

(57) **CLAIM**

The ornamental design for an electronic device cover, as shown and described.

DESCRIPTION

FIG. 1 is a first perspective view of an electronic device cover, taken from above;

FIG. 2 is a second perspective view of the electronic device cover of FIG. 1, taken from below;

FIG. 3 is a front view of the electronic device cover of FIG. 1;

FIG. 4 is a back view of the electronic device cover of FIG. 1;

FIG. 5 is a right-side view of the electronic device cover of FIG. 1;

FIG. 6 is a left-side view of the electronic device cover of FIG. 1;

FIG. 7 is a bottom view of the electronic device cover of FIG. 1; and,

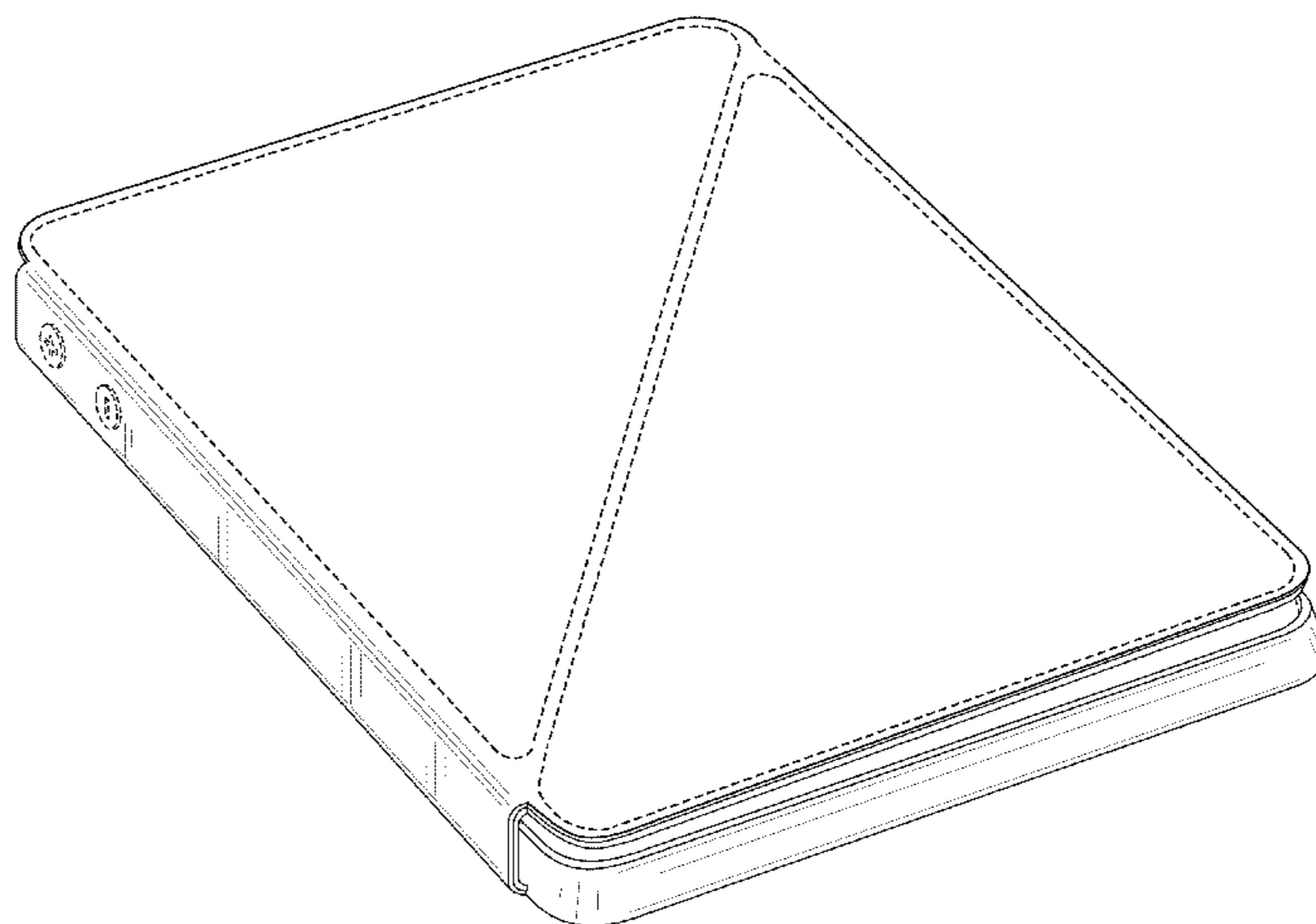
FIG. 8 is a top view of the electronic device cover of FIG. 1. The broken lines shown in the drawings are included for the purpose of illustrating portions of the structure that form no part of the claimed design.

1 Claim, 6 Drawing Sheets

(56) **References Cited**

U.S. PATENT DOCUMENTS

- D323,937 S * 2/1992 Solomon D3/299
- D359,507 S * 6/1995 Schmidt D19/26
- D558,267 S * 12/2007 Bharna D19/26



US D742,889 S

Page 2

(56)

References Cited

U.S. PATENT DOCUMENTS

D729,253 S *	5/2015	Nyholm et al.	D14/440
D733,152 S *	6/2015	Sirichai	D14/440
2012/0043235 A1 *	2/2012	Klement	206/320
D728,579 S *	5/2015	Mecchella et al.	D14/440

* cited by examiner

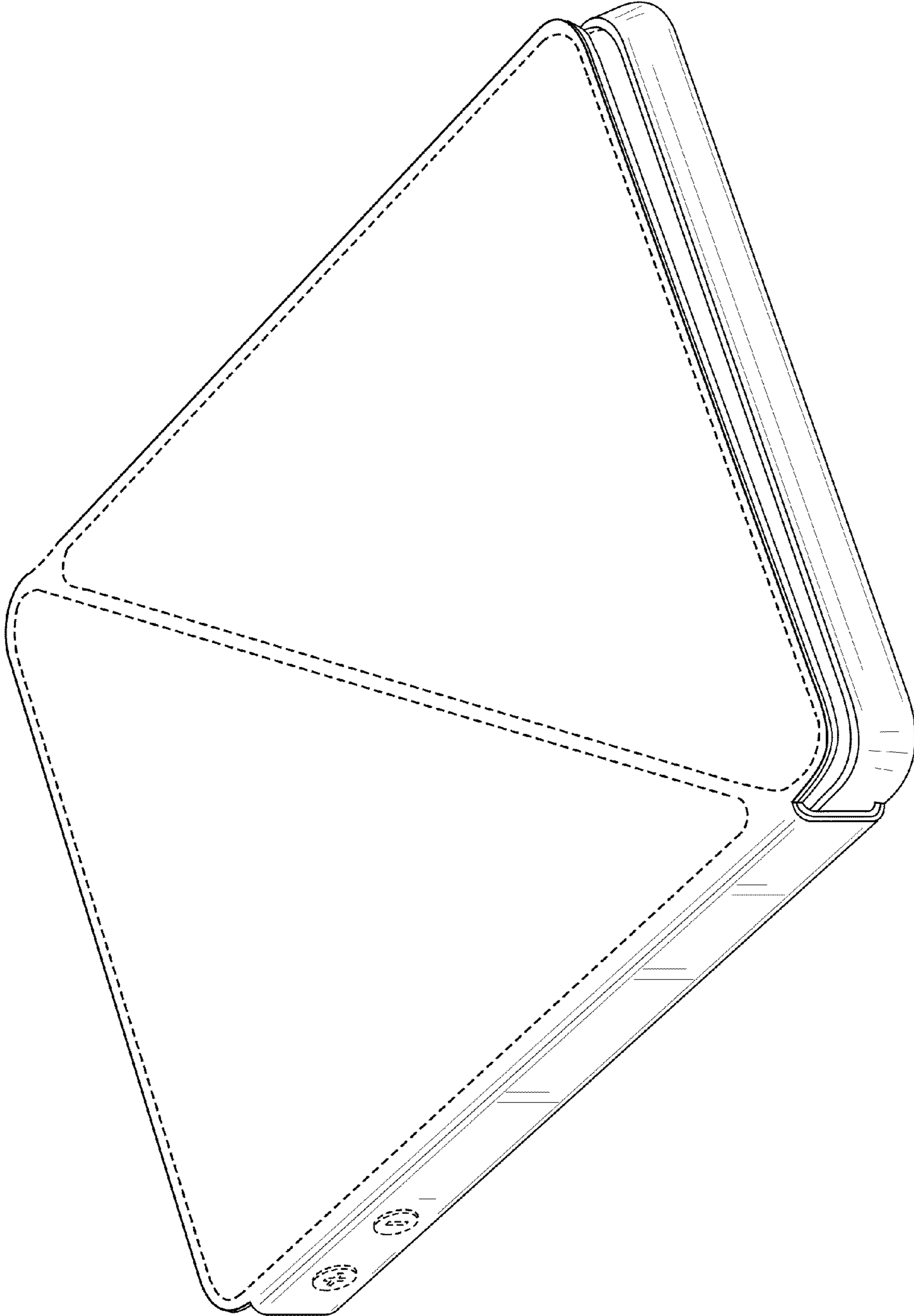


FIG. 1

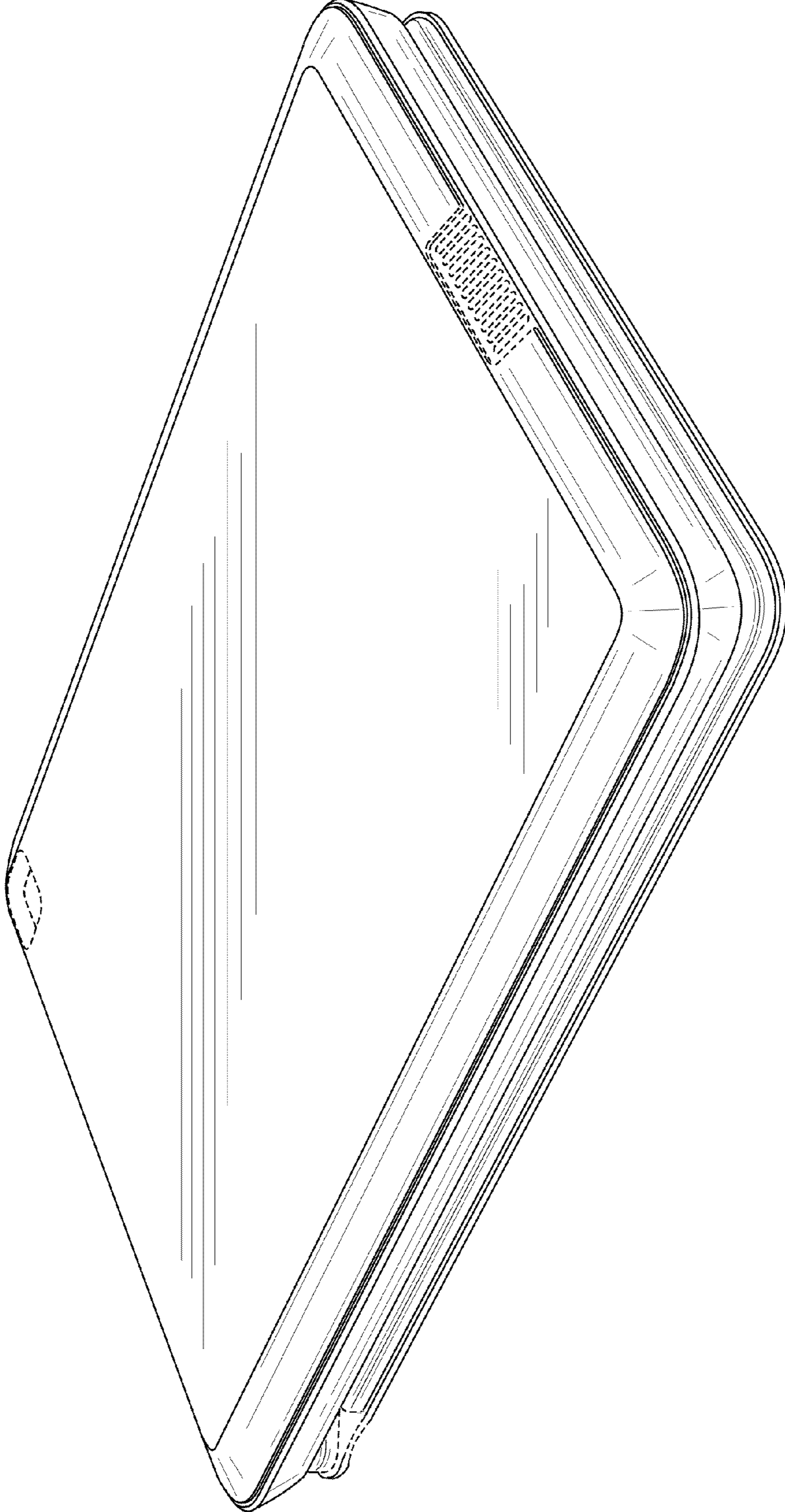


FIG. 2

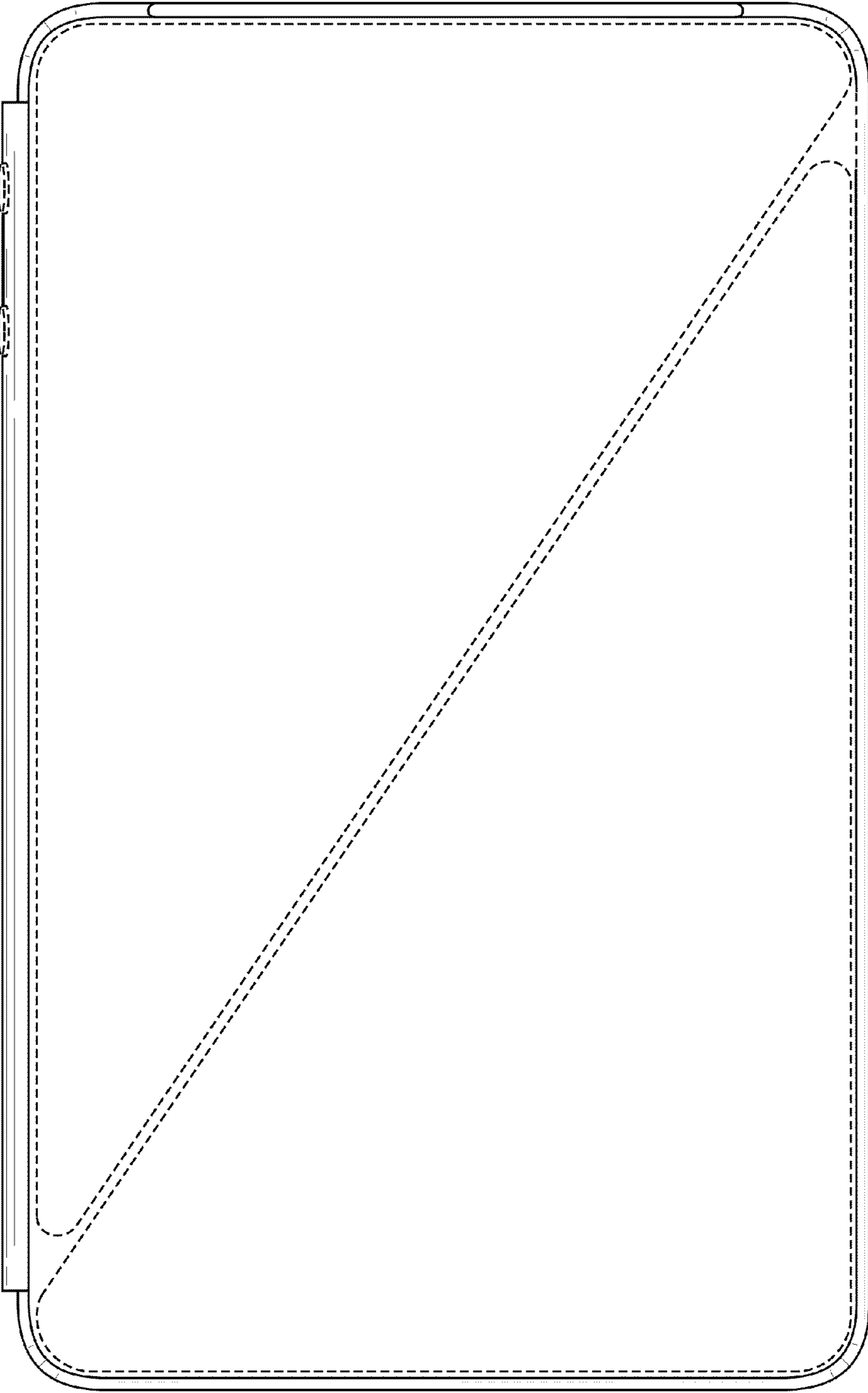


FIG. 3

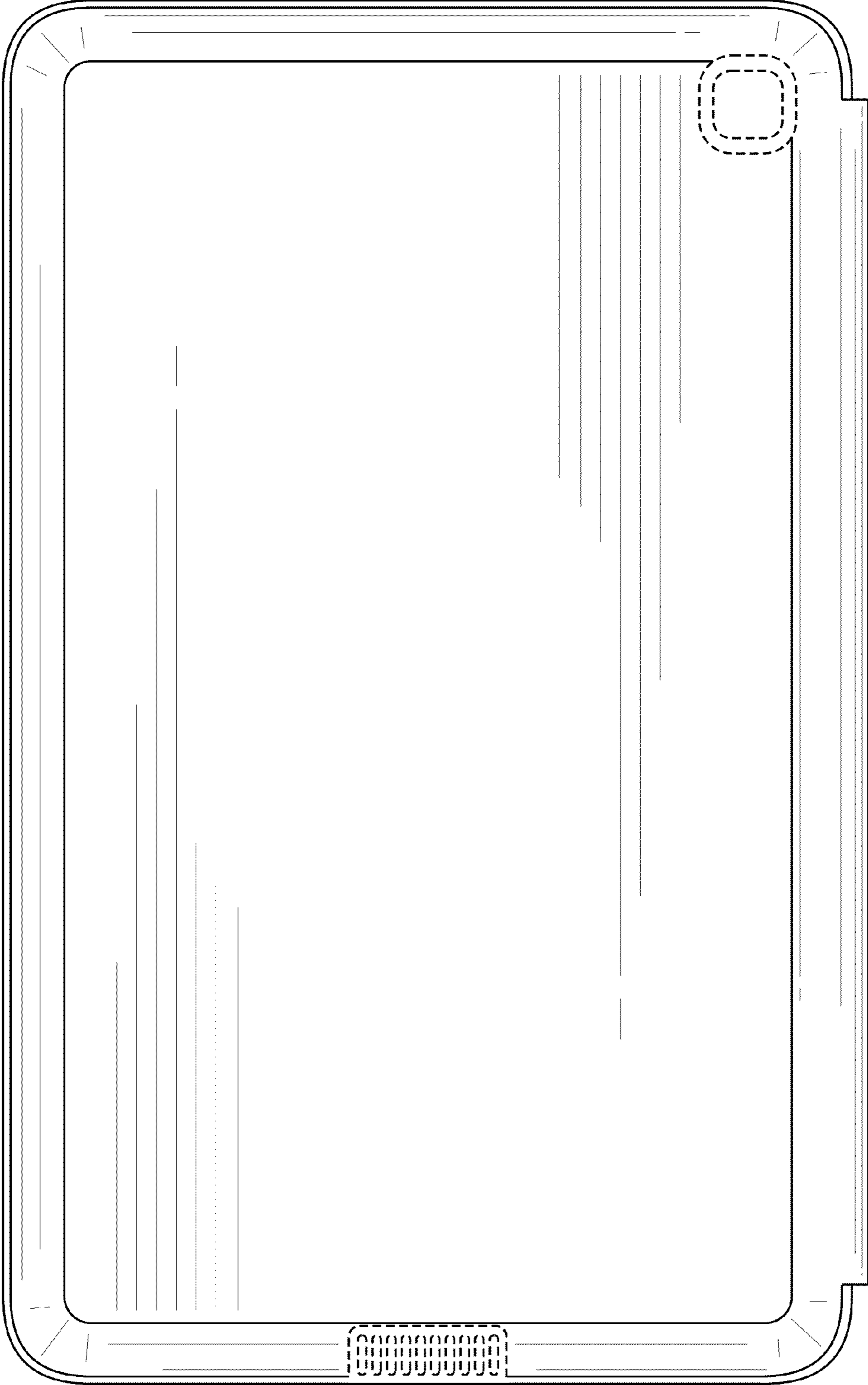


FIG. 4

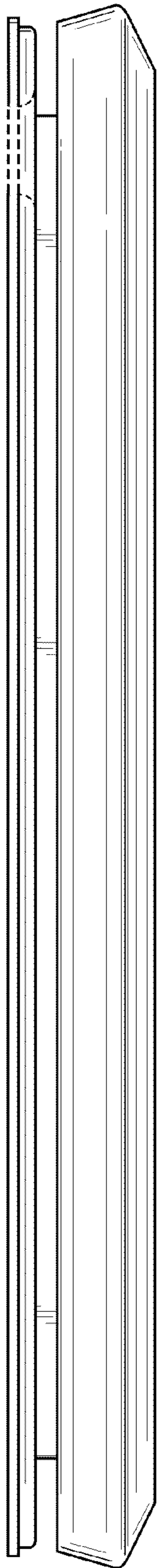


FIG. 5

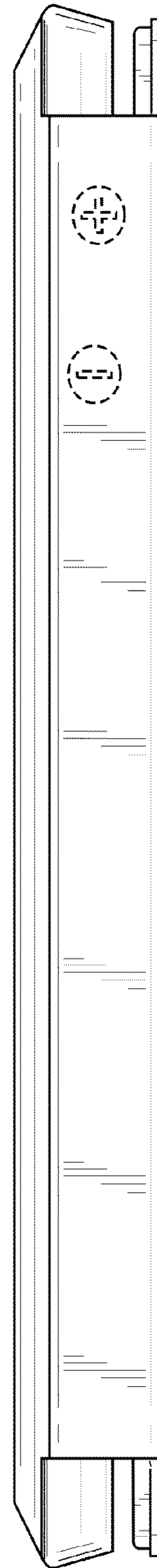


FIG. 6

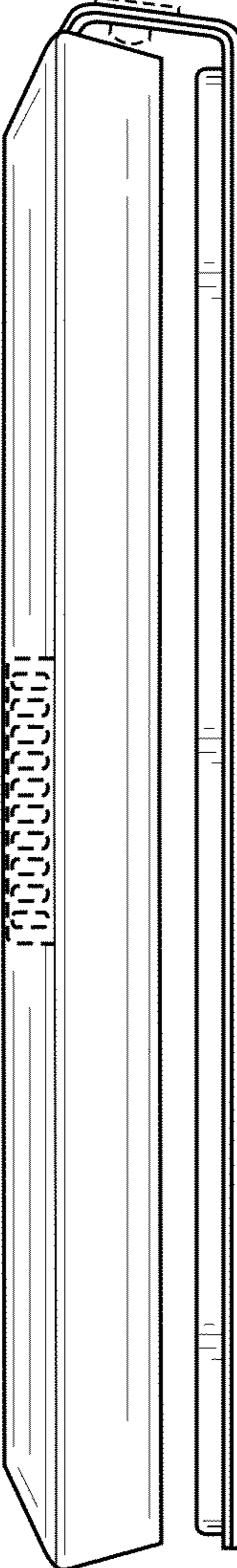


FIG. 7

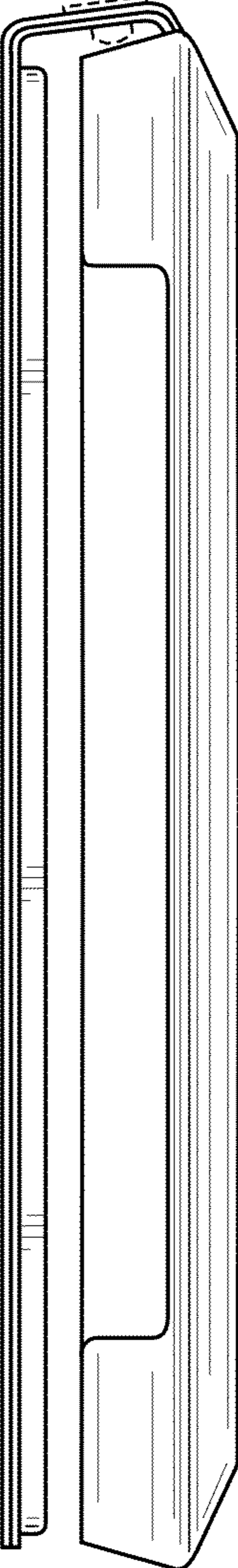


FIG. 8