



US00D742886S

(12) **United States Design Patent**  
**Zheng et al.**

(10) **Patent No.:** **US D742,886 S**

(45) **Date of Patent:** **\*\* Nov. 10, 2015**

(54) **DOCKING STATION**

(71) Applicant: **Microsoft Corporation**, Redmond, WA (US)

(72) Inventors: **Michael Zheng**, Shenzhen (CN); **Ralf Groene**, Kirkland, WA (US); **Jan Raken**, Seattle, WA (US); **Young Soo Kim**, Seattle, WA (US)

(73) Assignee: **Microsoft Corporation**, Redmond, WA (US)

(\*\*) Term: **14 Years**

(21) Appl. No.: **29/491,236**

(22) Filed: **May 19, 2014**

(51) **LOC (10) Cl.** ..... **14-02**

(52) **U.S. Cl.**  
USPC ..... **D14/434**

(58) **Field of Classification Search**  
USPC ..... D14/432-434, 314, 204, 420, 421, 447, D14/217, 358, 138 R, 140, 142, 253; D13/107, 108, 146; D8/373; 248/346.03, 176.1; 361/679.41, 361/679.31, 679.32, 679.4, 679.43, 679.55, 361/679.58, 679.33; 320/107, 109, 320/112-115; 710/15, 303; 455/557; 439/347, 534  
CPC ..... H02J 7/0042; H02J 7/00; H01R 31/065; H01M 10/44; F16M 11/10  
See application file for complete search history.

(56) **References Cited**

**U.S. PATENT DOCUMENTS**

5,619,397 A \* 4/1997 Honda et al. .... 361/679.43  
5,933,812 A \* 8/1999 Meyer et al. .... 705/15

D455,087 S \* 4/2002 Bayer et al. .... D10/72  
D477,604 S 7/2003 Lin  
D523,847 S 6/2006 Naruki  
7,200,702 B2 \* 4/2007 Keely et al. .... 710/303  
D552,611 S 10/2007 Hagiwara et al.  
7,515,408 B2 \* 4/2009 Bakker et al. .... 361/679.55  
D598,453 S 8/2009 Solomon et al.  
7,708,240 B2 \* 5/2010 Homer et al. .... 248/130  
D673,156 S 12/2012 Detemple  
D673,567 S \* 1/2013 Yang ..... D14/434  
D676,447 S 2/2013 Detemple  
D676,832 S 2/2013 Akana et al.  
D685,793 S 7/2013 Taniho et al.

**OTHER PUBLICATIONS**

U.S. Appl. No. 29/467,598, filed Sep. 20, 2013.  
U.S. Appl. No. 29/491,231, filed May 19, 2014.

\* cited by examiner

*Primary Examiner* — Freda S Nunn

(74) *Attorney, Agent, or Firm* — Banner & Witcoff, Ltd.

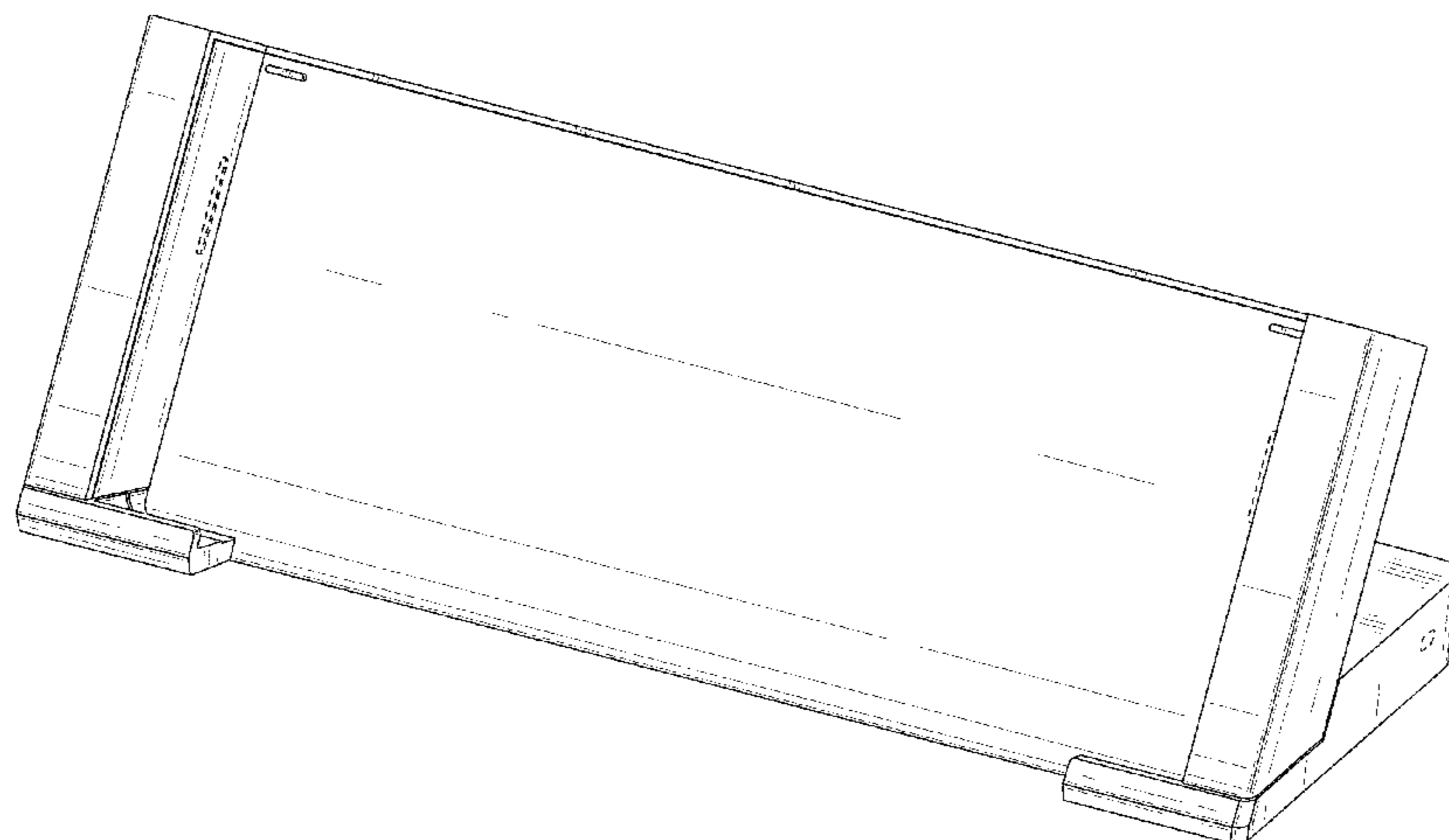
(57) **CLAIM**

The ornamental design for a docking station, as shown and described.

**DESCRIPTION**

FIG. 1 is a front isometric view of a docking station showing our new design;  
FIG. 2 is a front view thereof;  
FIG. 3 is a rear view thereof;  
FIG. 4 is a right side view thereof;  
FIG. 5 is a left side view thereof;  
FIG. 6 is a top view thereof; and,  
FIG. 7 is bottom view thereof.  
The broken line showing of various features of the docking station are for environmental purposes only and form no part of the claimed design.

**1 Claim, 6 Drawing Sheets**



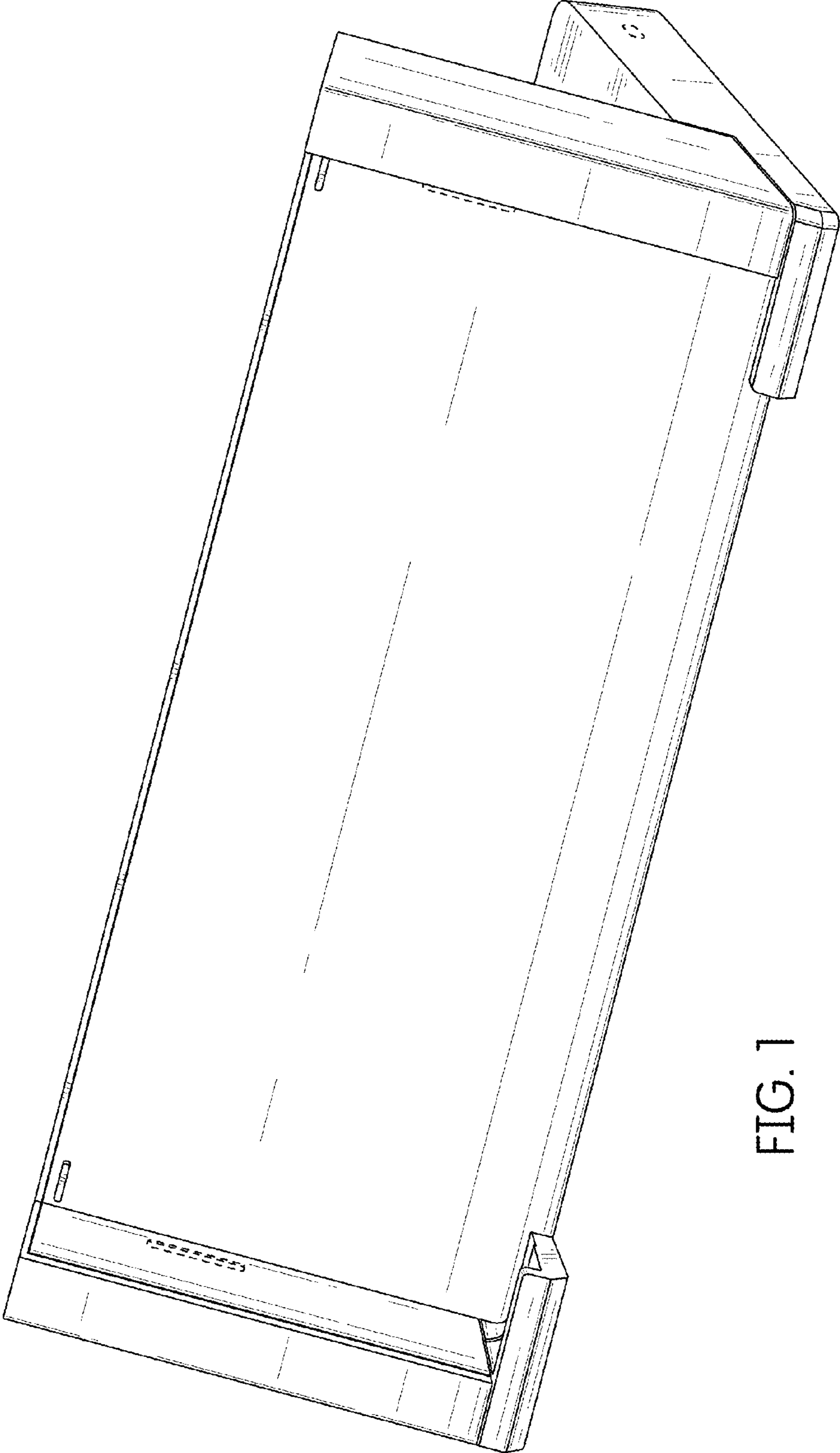


FIG. 1

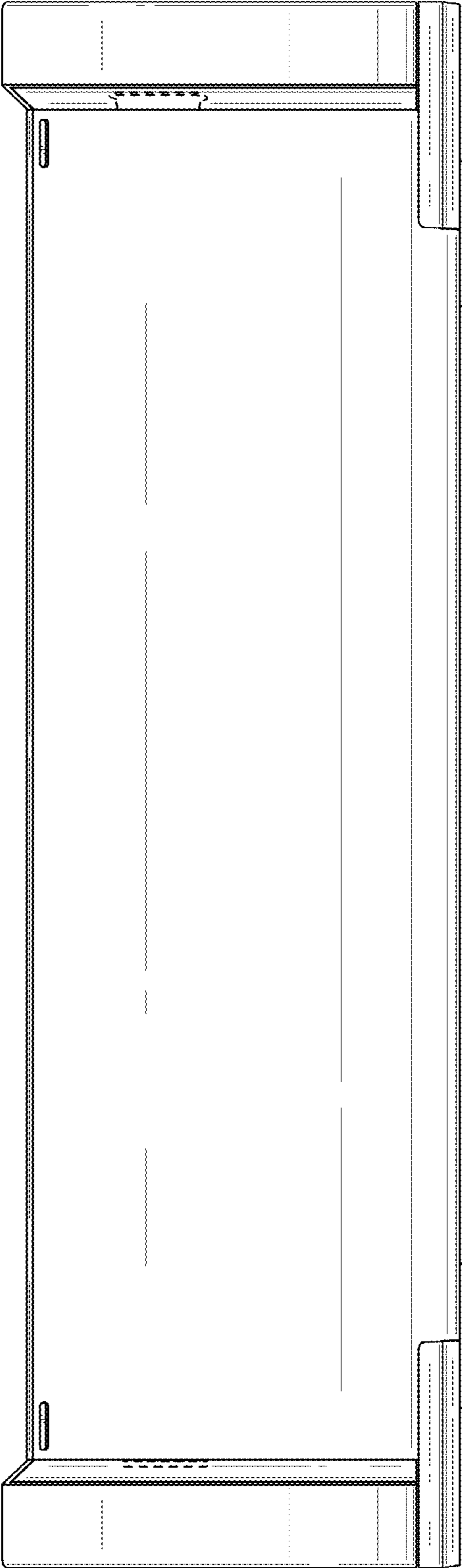


FIG. 2

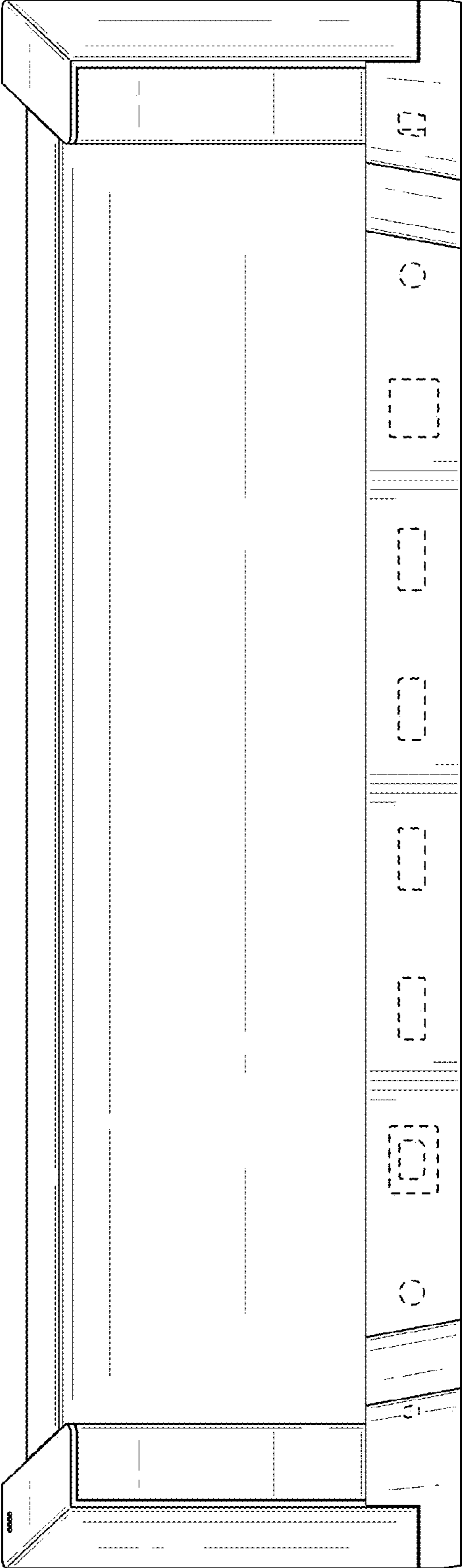


FIG. 3

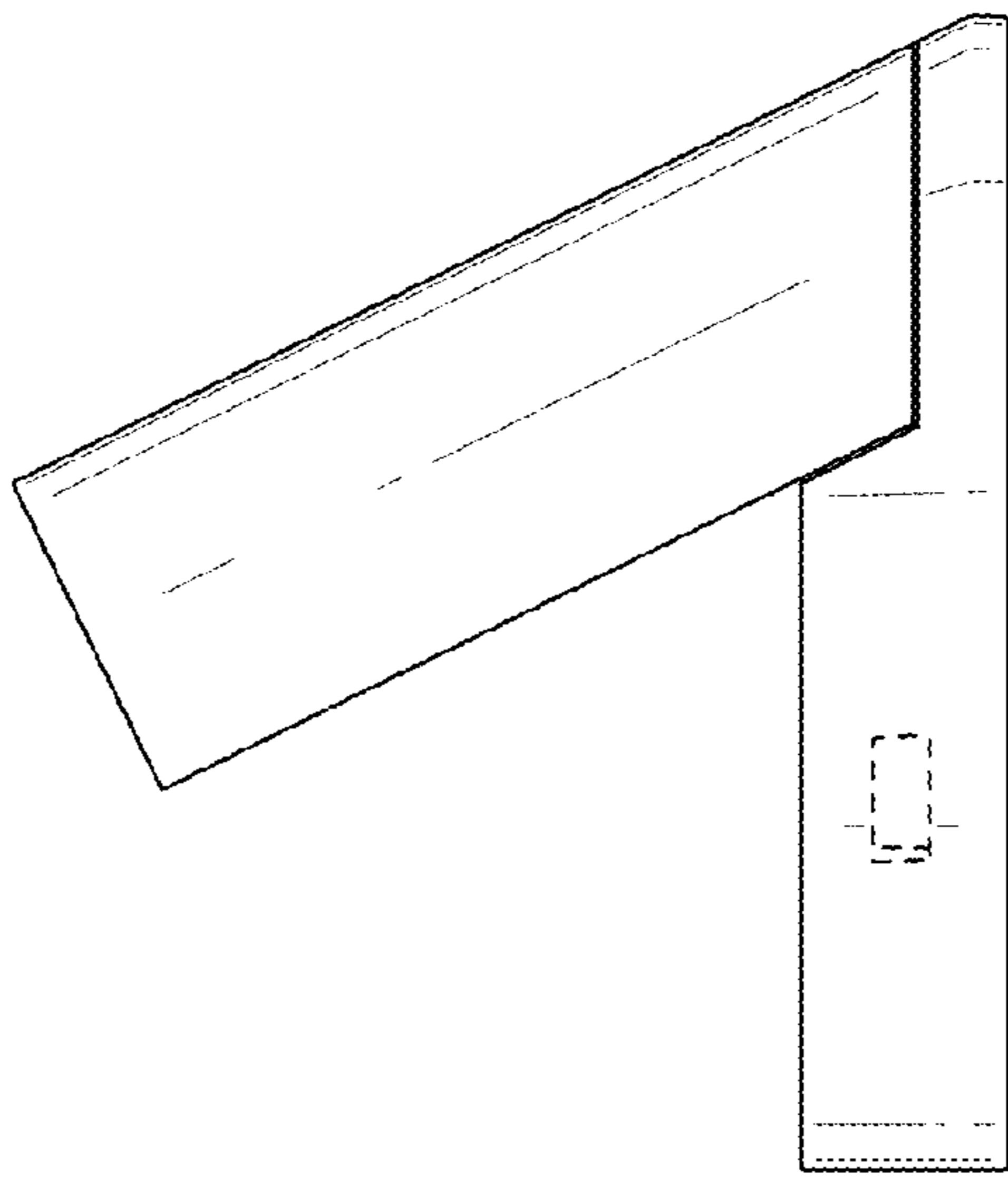


FIG. 5

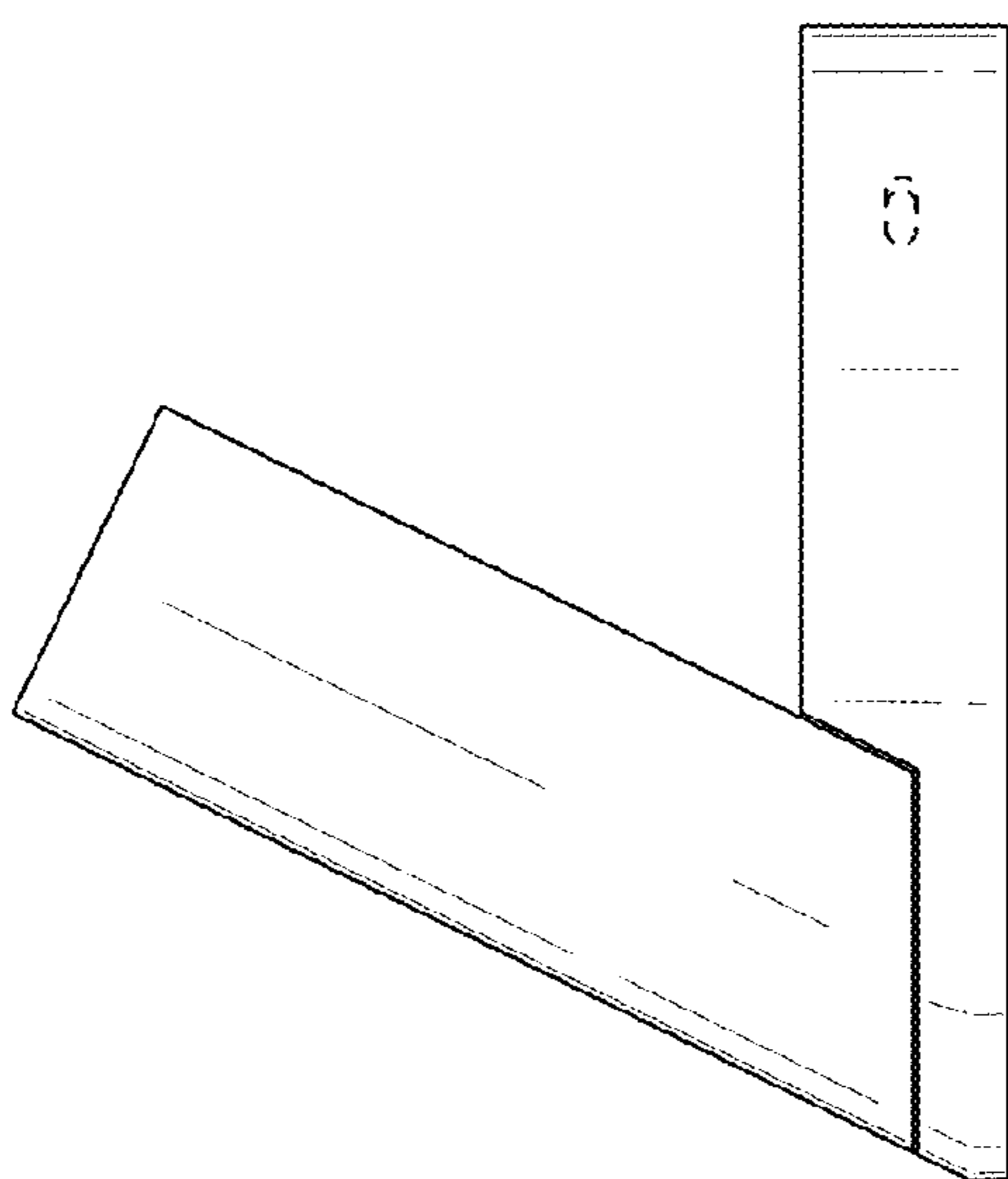


FIG. 4

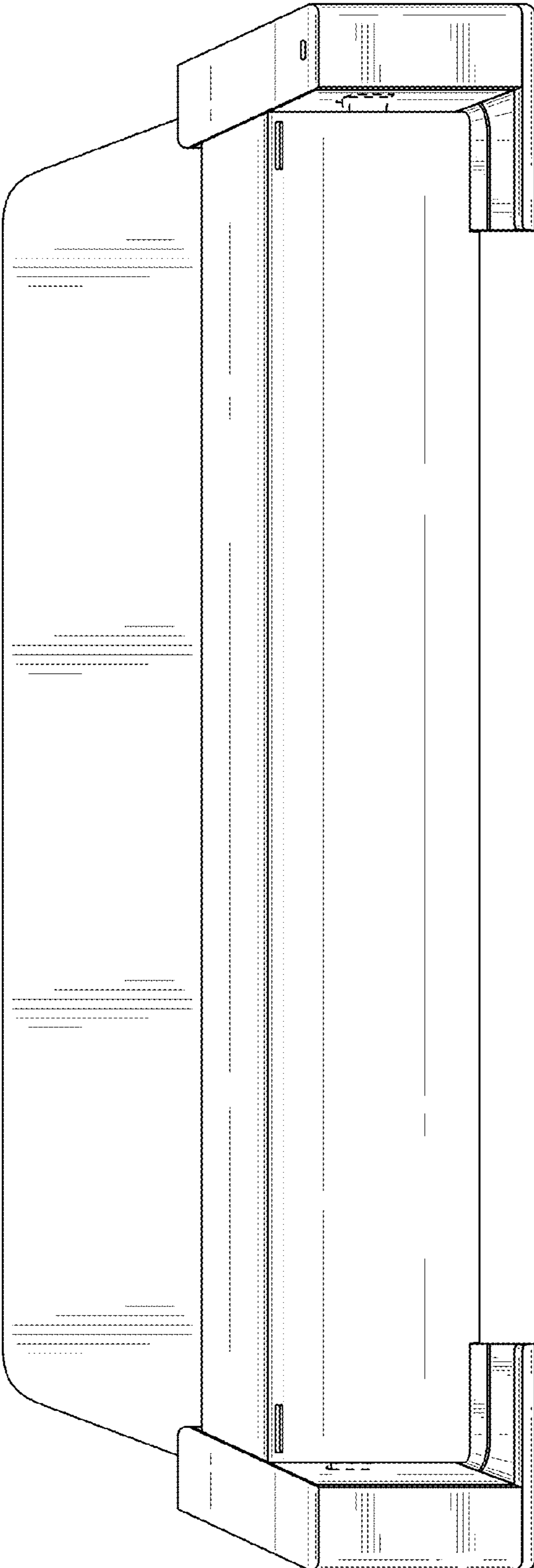


FIG. 6

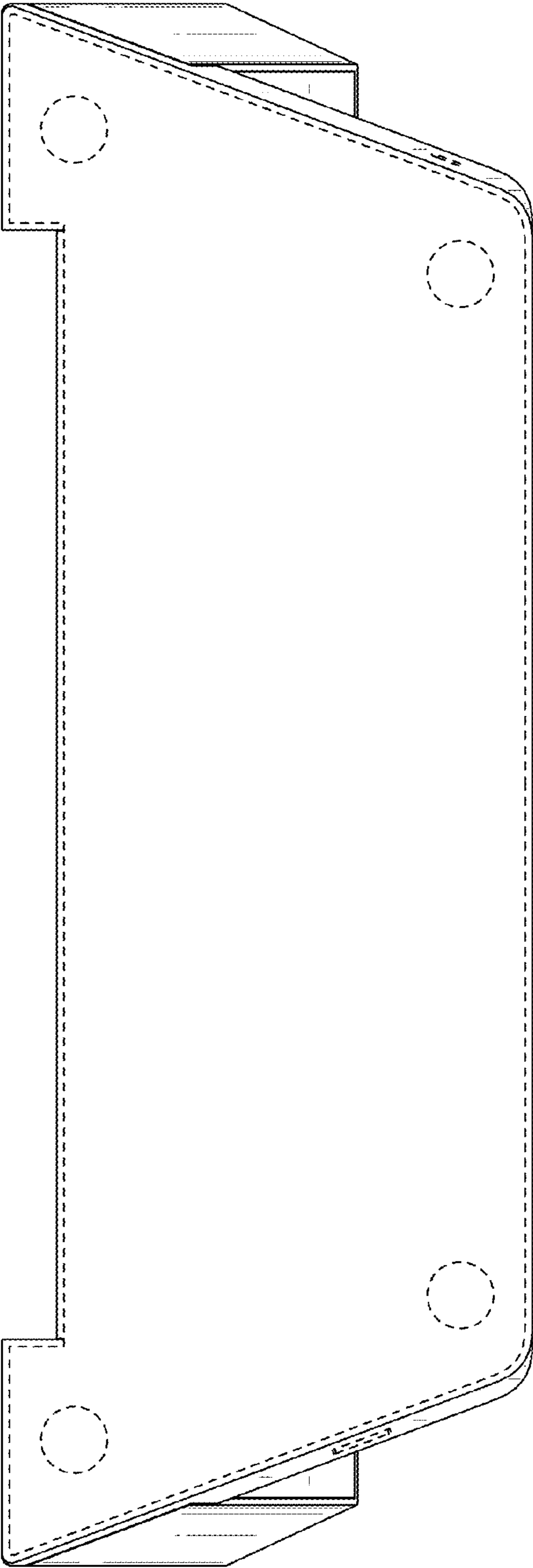


FIG. 7