



US00D742885S

(12) **United States Design Patent**
Chen

(10) **Patent No.:** **US D742,885 S**

(45) **Date of Patent:** **** Nov. 10, 2015**

(54) **DOCK FOR ELECTRONIC DEVICE**

(56) **References Cited**

(71) Applicant: **GETAC TECHNOLOGY CORPORATION**, Hsinchu County (TW)

U.S. PATENT DOCUMENTS

(72) Inventor: **Ying-Chun Chen**, New Taipei (TW)

5,899,421 A *	5/1999	Silverman	248/175
D472,900 S *	4/2003	Matsumoto	D14/447
D553,106 S *	10/2007	Griffin	D14/434
D586,348 S *	2/2009	Leung et al.	D14/434
D603,840 S *	11/2009	Lee et al.	D14/217
D627,785 S *	11/2010	Bouthillier	D14/434
D643,430 S *	8/2011	Nuovo et al.	D14/434
D644,645 S *	9/2011	Huang et al.	D14/434
2013/0083257 A1 *	4/2013	Murakami et al.	348/839

(73) Assignee: **Getac Technology Corporation**, Hsinchu County (TW)

(**) Term: **14 Years**

* cited by examiner

(21) Appl. No.: **29/479,799**

Primary Examiner — Freda S Nunn

(22) Filed: **Jan. 20, 2014**

(57) **CLAIM**

(51) **LOC (10) Cl.** **14-02**

The ornamental design for a dock for electronic device, as shown and described.

(52) **U.S. Cl.**

DESCRIPTION

USPC **D14/434**

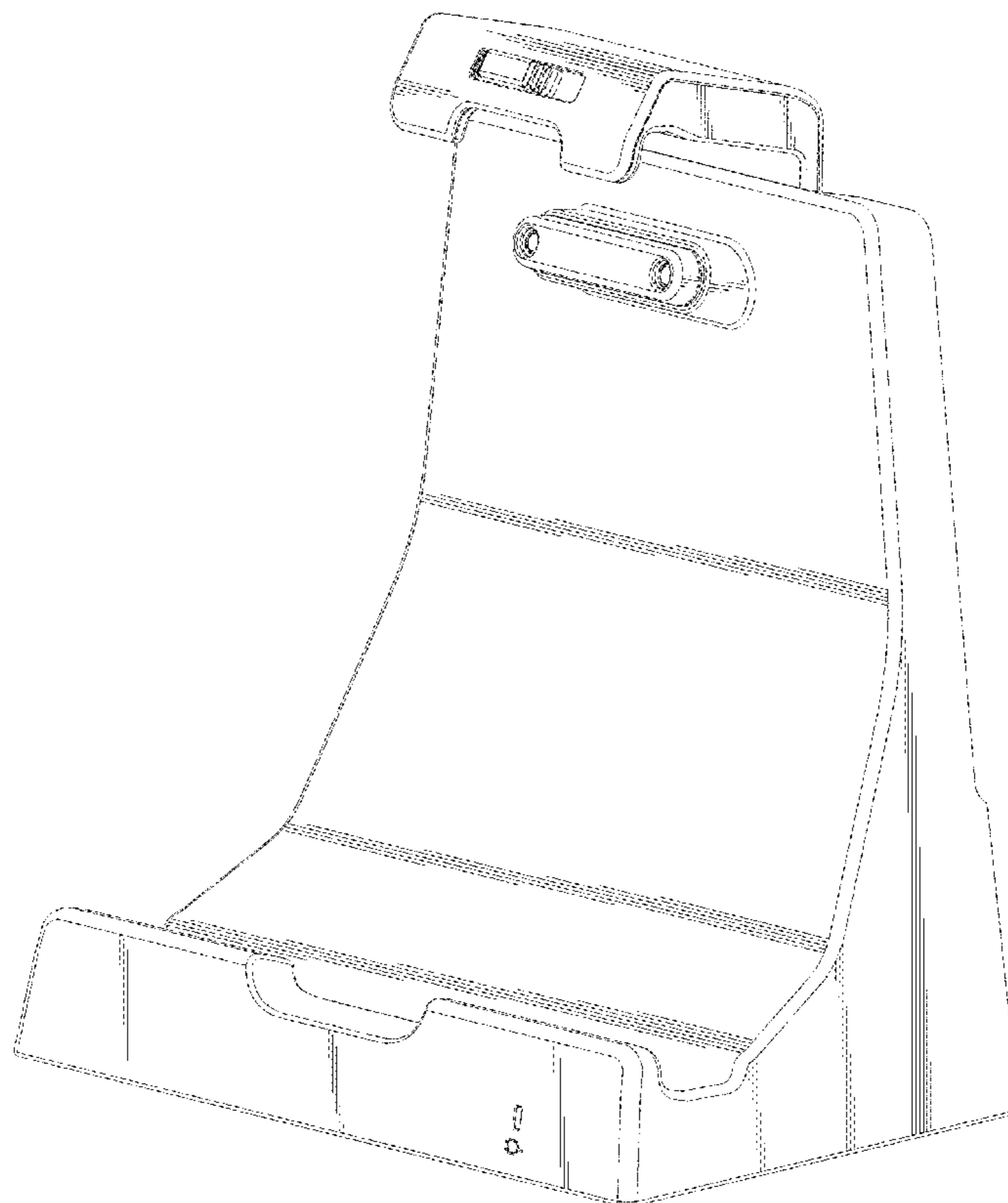
(58) **Field of Classification Search**

USPC D14/217, 432, 434; D8/373; D13/107, D13/108, 110, 146; 248/176.1; 320/109, 320/112-115; 361/679.4, 679.31-679.33, 361/679.41, 679.43, 679.55; 455/557; 710/15, 303; D24/185, 186
CPC H05K 5/00; H05K 7/00; G06F 1/16; F16M 11/10

FIG. 1 is a perspective view of a dock for an electronic device showing my new design;
FIG. 2 is a front view thereof;
FIG. 3 is a back view thereof;
FIG. 4 is a left side view thereof;
FIG. 5 is a right side view thereof;
FIG. 6 is a top view of the first embodiment thereof; and,
FIG. 7 is a bottom side view thereof.

See application file for complete search history.

1 Claim, 7 Drawing Sheets



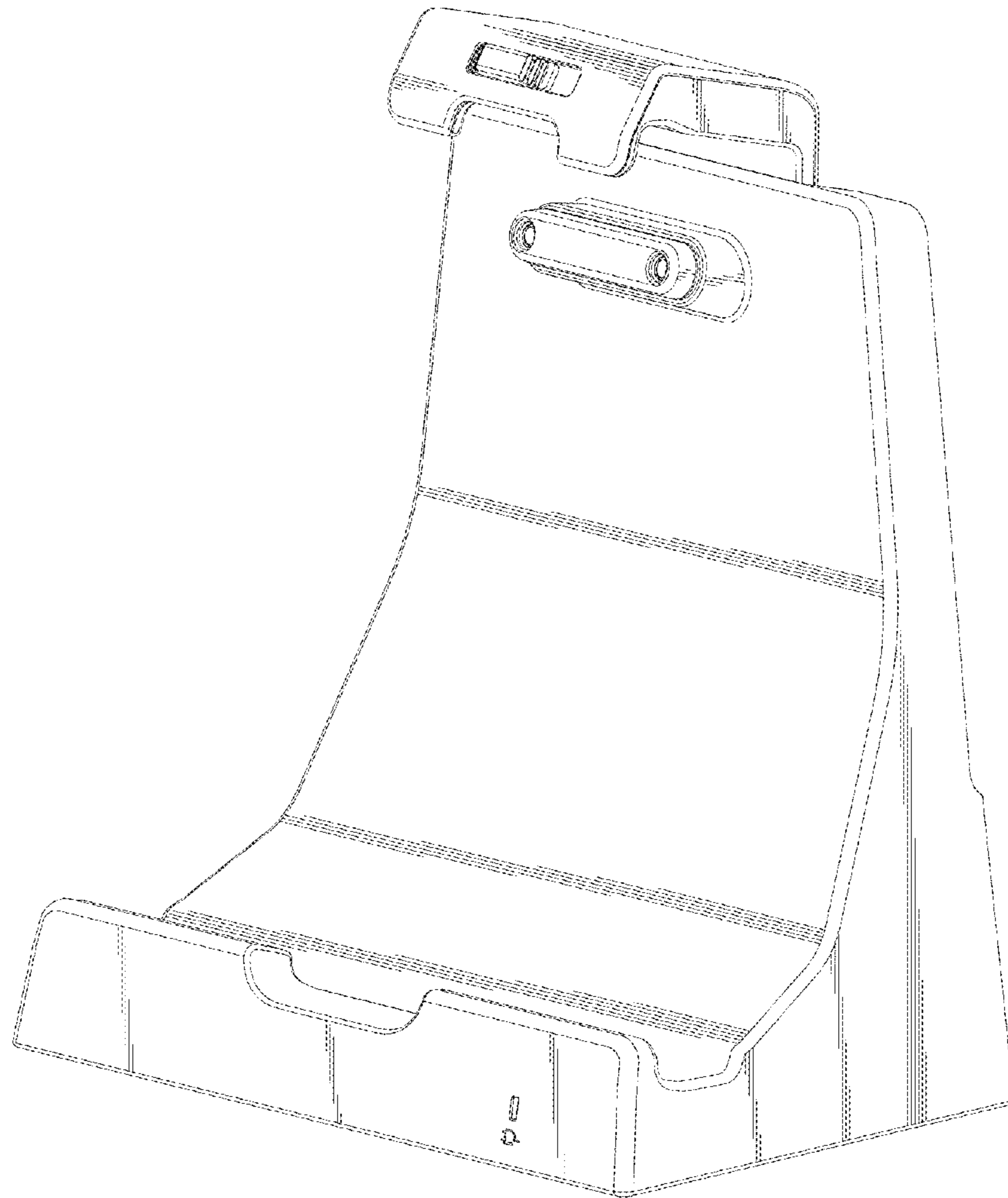


FIG. 1

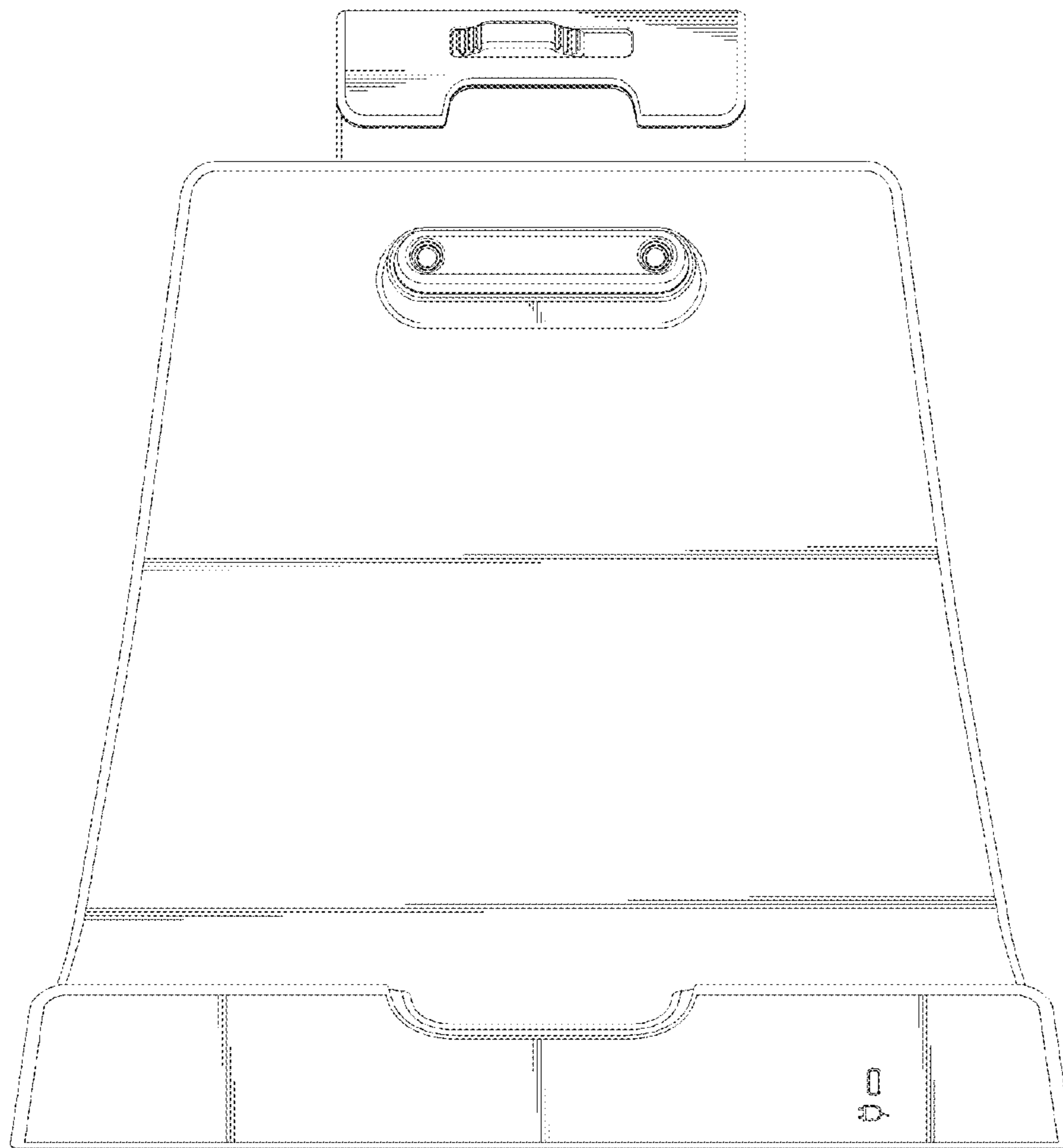


FIG.2

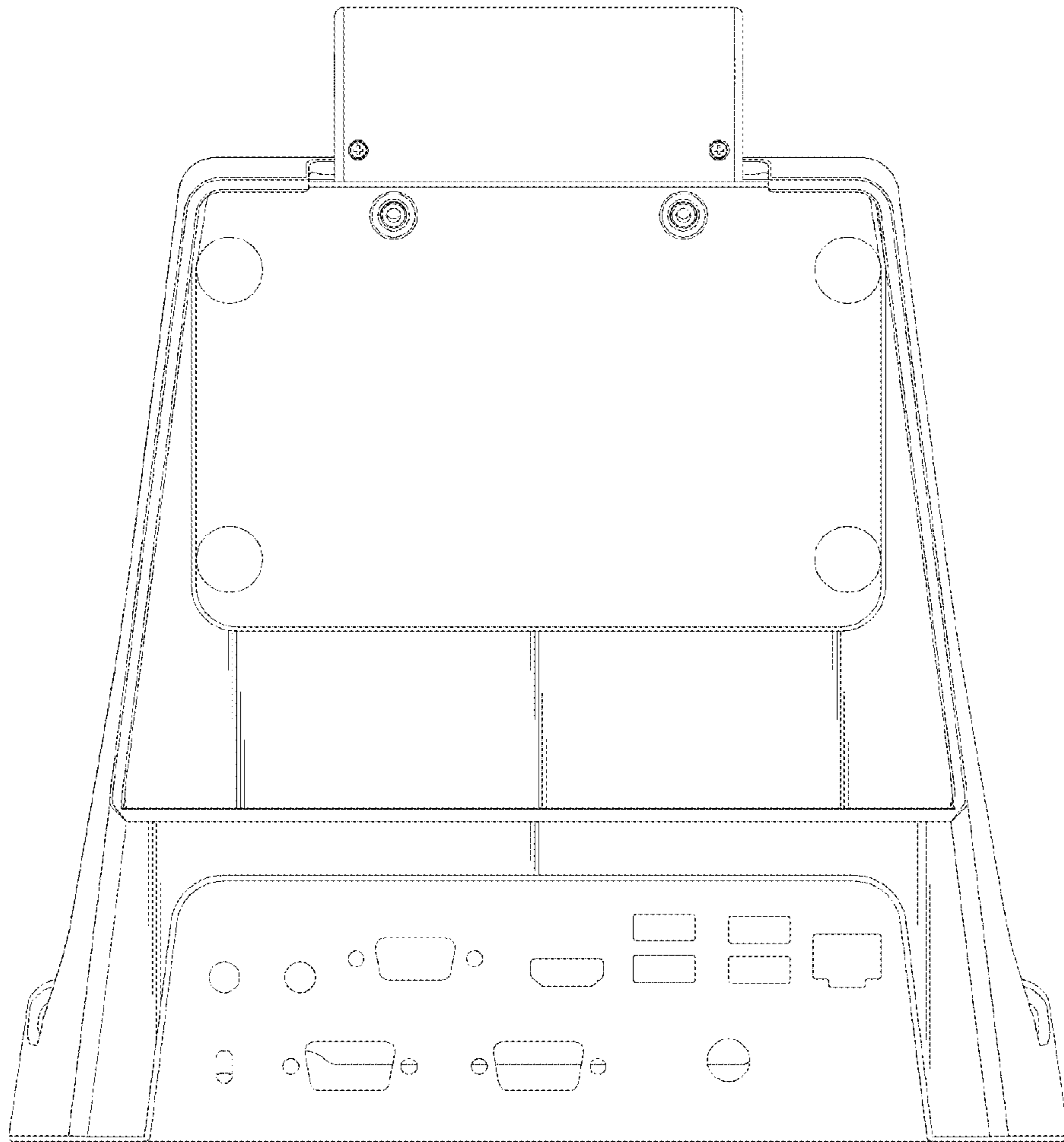


FIG.3

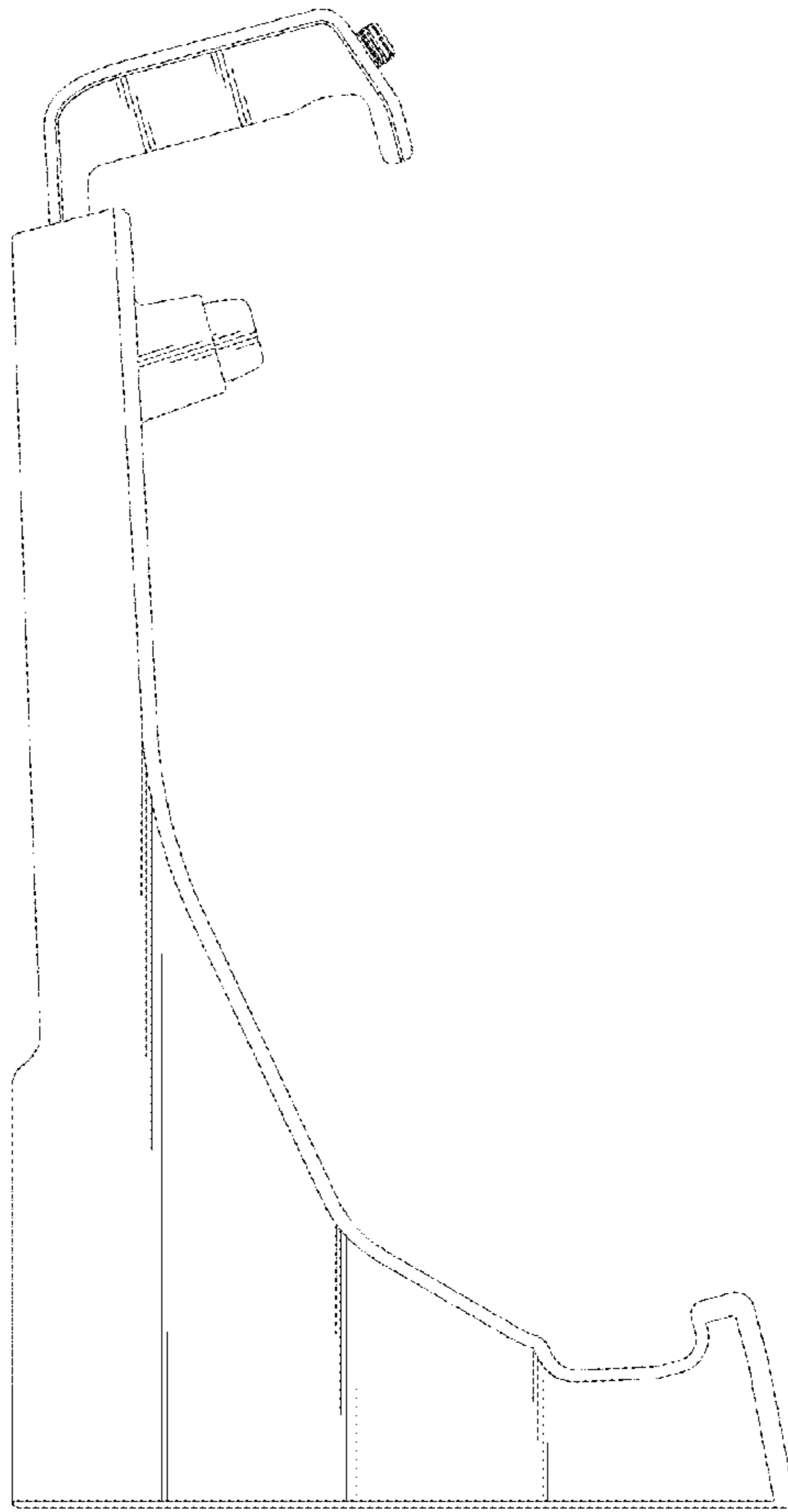


FIG.4

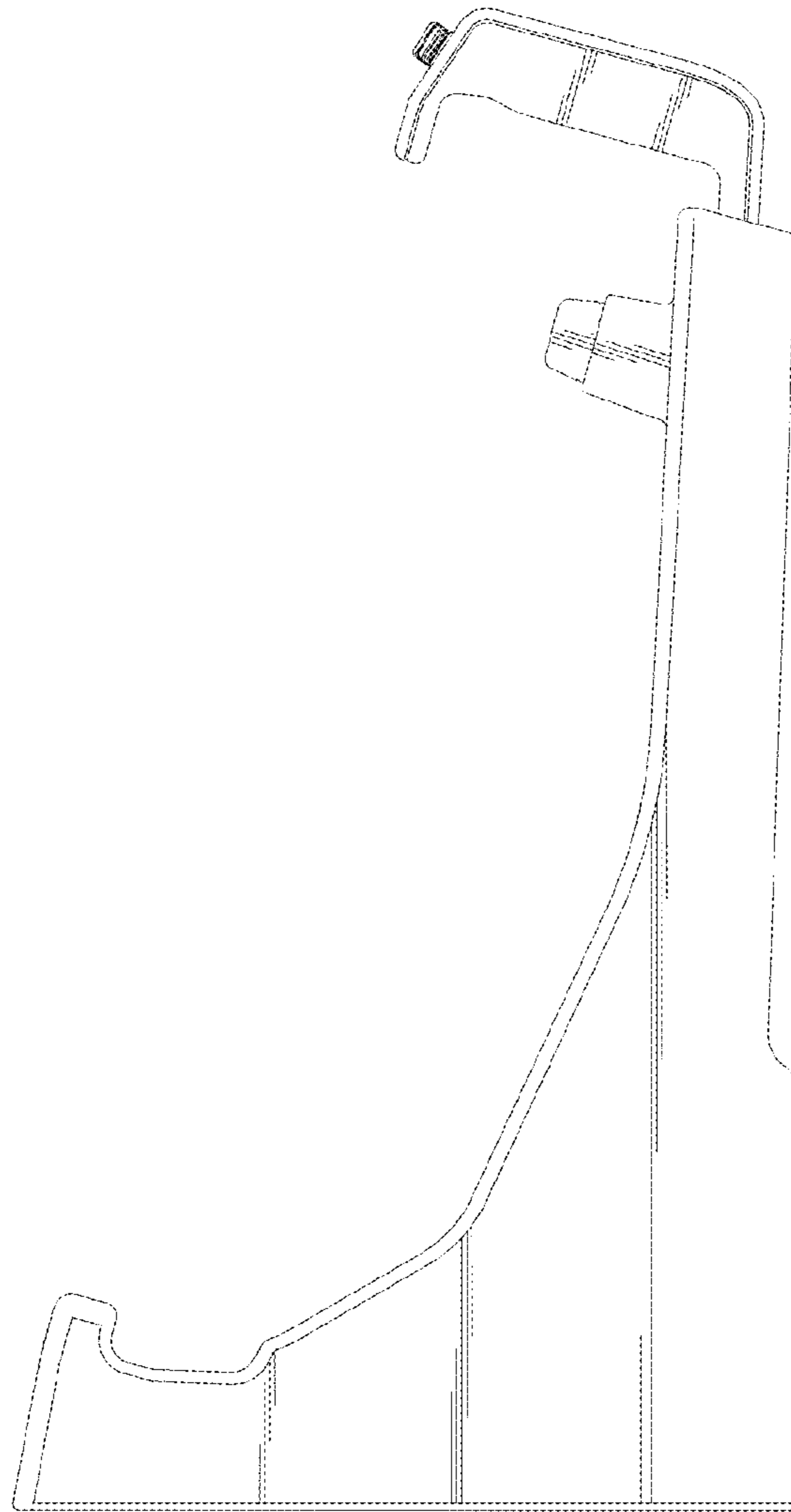


FIG. 5

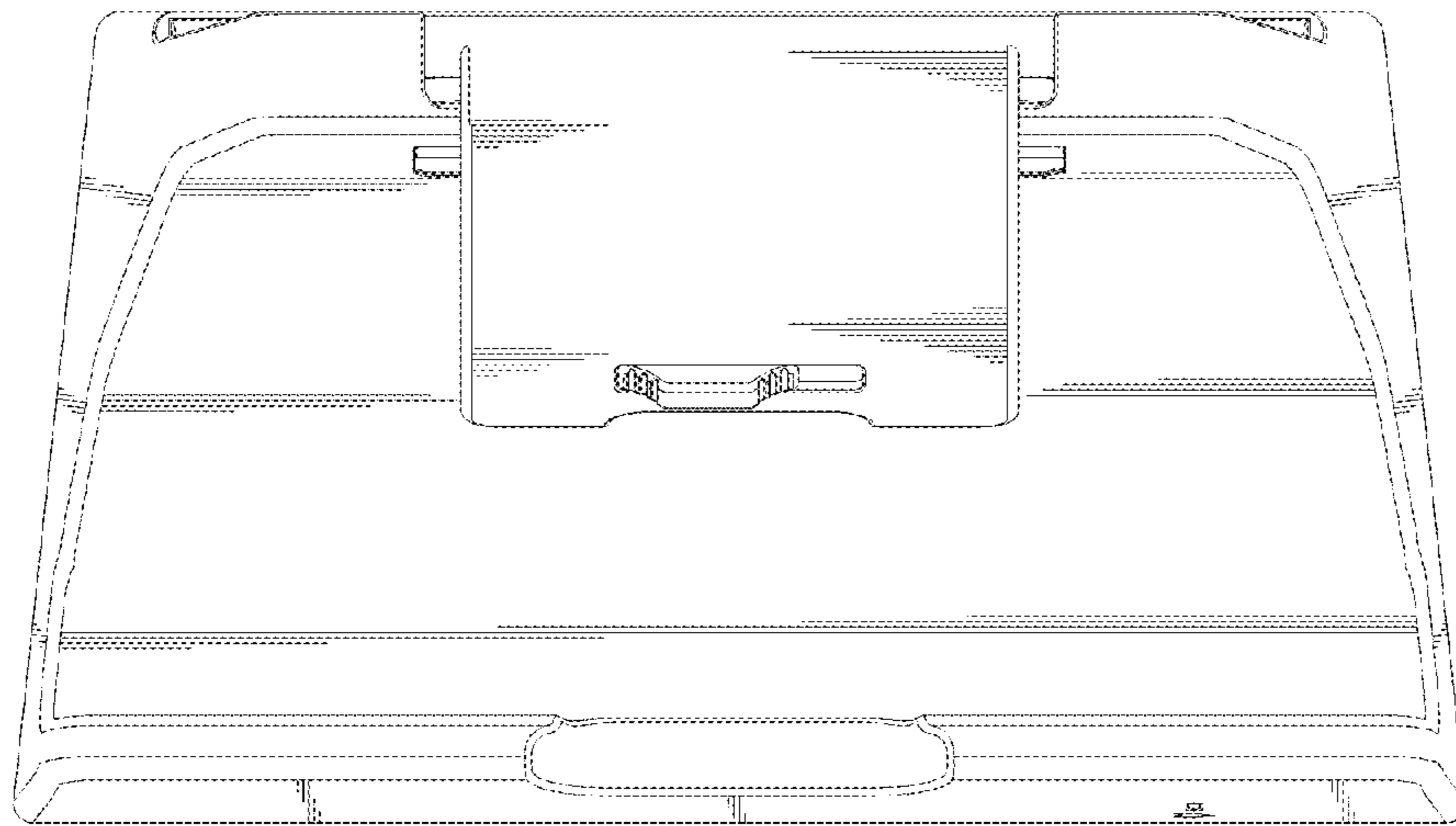


FIG.6

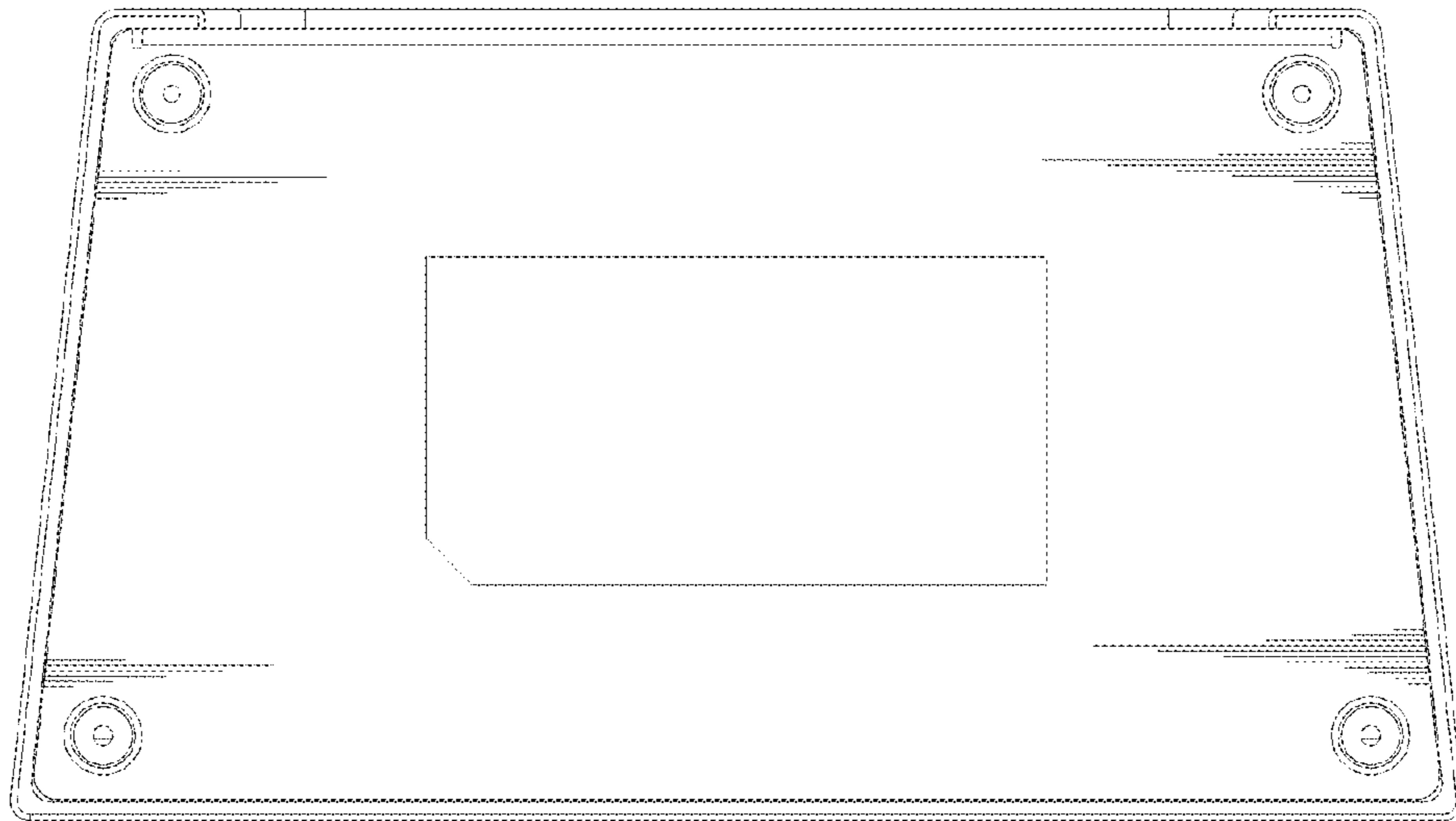


FIG. 7