



US00D742883S

(12) **United States Design Patent**  
**Akana et al.**

(10) **Patent No.:** **US D742,883 S**  
(45) **Date of Patent:** **\*\* Nov. 10, 2015**

(54) **COMPONENT FOR AN ELECTRONIC DEVICE**

(71) Applicant: **Apple Inc.**, Cupertino, CA (US)

(72) Inventors: **Jody Akana**, San Francisco, CA (US);  
**Julian Hoenig**, San Francisco, CA (US);  
**Fletcher Rothkopf**, Los Altos, CA (US);  
**Anna-Katrina Shedletsky**, Mountain View, CA (US); **Samuel Bruce Weiss**, Los Altos Hills, CA (US); **Christopher M. Werner**, San Jose, CA (US); **Rico Zörkendörfer**, San Francisco, CA (US)

(73) Assignee: **Apple Inc.**, Cupertino, CA (US)

(\*\*) Term: **14 Years**

(21) Appl. No.: **29/500,627**

(22) Filed: **Aug. 27, 2014**

(51) **LOC (10) Cl.** ..... **14-02**

(52) **U.S. Cl.**  
USPC ..... **D14/432**

(58) **Field of Classification Search**  
USPC ..... D14/300–302, 308–313, 314, 348,  
D14/353–355, 432, 439–446, 240;  
361/679.02, 679.31, 679.5, 690, 694,  
361/679.23, 801, 802; 312/332.1, 334.1;  
D13/162; D10/50  
CPC ..... A45C 11/00; A45C 2011/003; B60R  
11/0241; B60R 11/0252; F16M 13/00; F16M  
11/00  
See application file for complete search history.

(56) **References Cited**

**U.S. PATENT DOCUMENTS**

D391,938 S \* 3/1998 D'Agaro et al. .... D14/439  
D475,061 S \* 5/2003 Huang ..... D14/483  
D494,978 S \* 8/2004 Pfister ..... D14/451

6,798,653 B2 \* 9/2004 Chen et al. .... 361/679.33  
D556,204 S \* 11/2007 Tosh et al. .... D14/439  
D588,132 S \* 3/2009 Lauffer et al. .... D14/432  
D600,698 S \* 9/2009 Kramer et al. .... D14/432  
D625,168 S \* 10/2010 Chen ..... D8/354  
D673,515 S 1/2013 Corbin et al.  
D673,956 S \* 1/2013 Yokoyama ..... D14/432  
D677,633 S 3/2013 Corbin et al.  
D677,664 S 3/2013 Akana et al.  
D680,495 S 4/2013 Corbin et al.  
D685,373 S \* 7/2013 Santos et al. .... D14/432  
D694,755 S 12/2013 Akana et al.  
D697,918 S 1/2014 Akana et al.  
D700,899 S 3/2014 Corbin et al.  
8,780,545 B2 \* 7/2014 Chen et al. .... 361/679.37  
D735,726 S \* 8/2015 Chen ..... D14/439

\* cited by examiner

*Primary Examiner* — Austin Murphy

(74) *Attorney, Agent, or Firm* — Sterne, Kessler, Goldstein & Fox P.L.L.C.

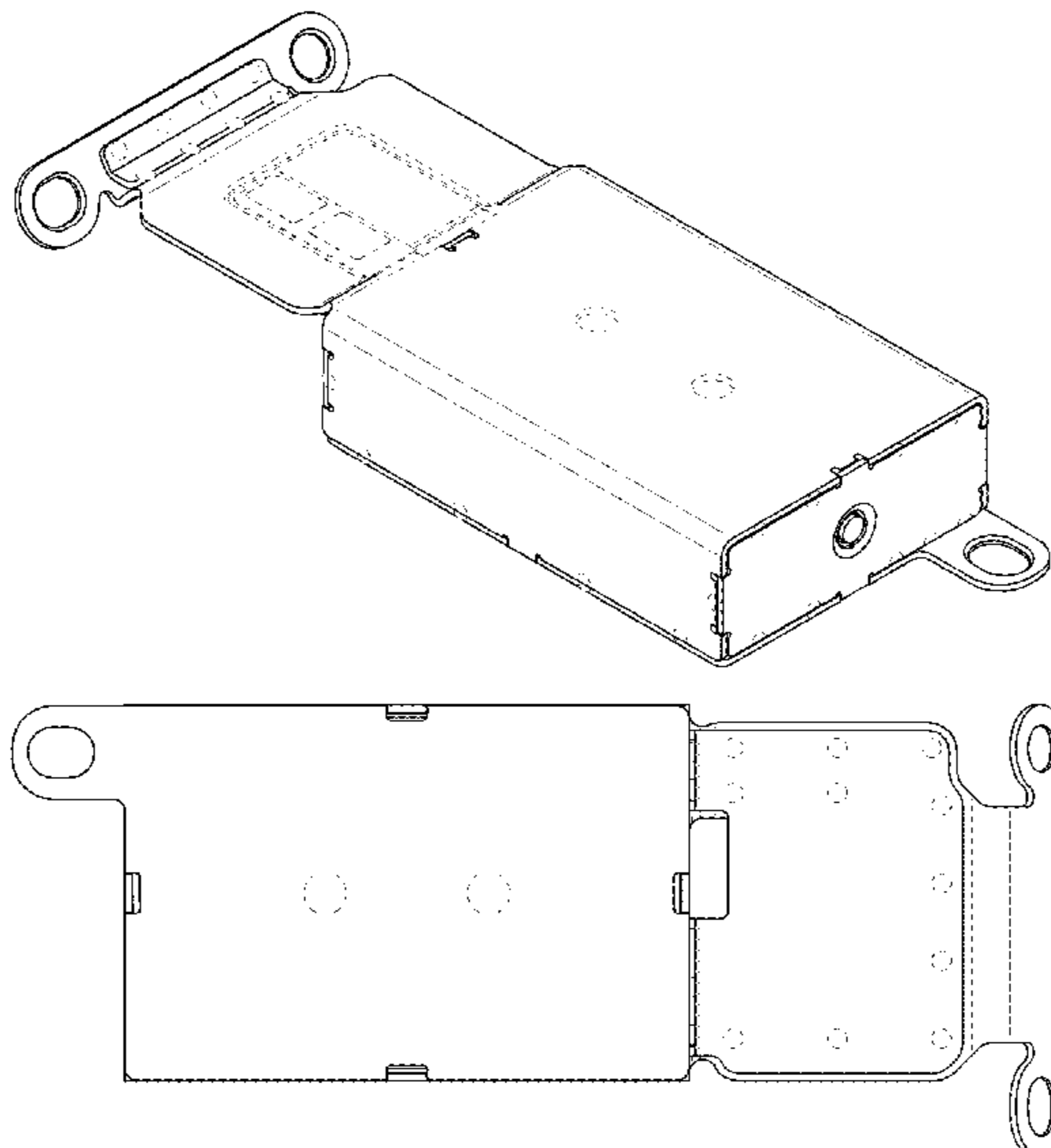
(57) **CLAIM**

The ornamental design for a component for an electronic device, as shown and described.

**DESCRIPTION**

FIG. 1 is a front perspective view of a component for an electronic device showing our new design; FIG. 2 is a rear perspective view thereof; FIG. 3 is a front view thereof; FIG. 4 is a rear view thereof; FIG. 5 is a left side view thereof; FIG. 6 is a right side view thereof; FIG. 7 is a top view thereof; and, FIG. 8 is a bottom view thereof. The broken lines in the Figures show portions of the component for an electronic device that form no part of the claimed design. The shade lines in the Figures show contour and not surface ornamentation.

**1 Claim, 3 Drawing Sheets**



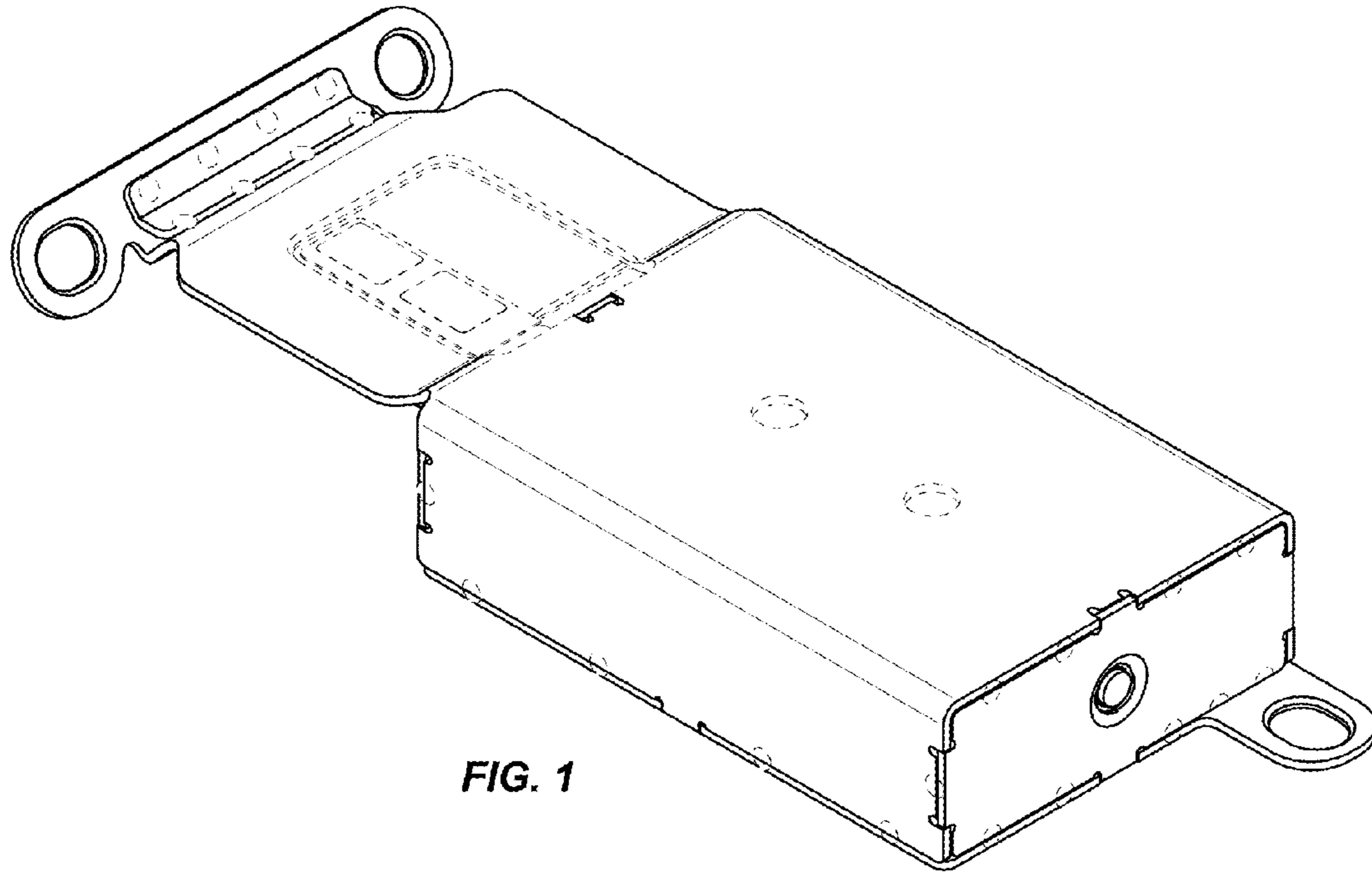


FIG. 1

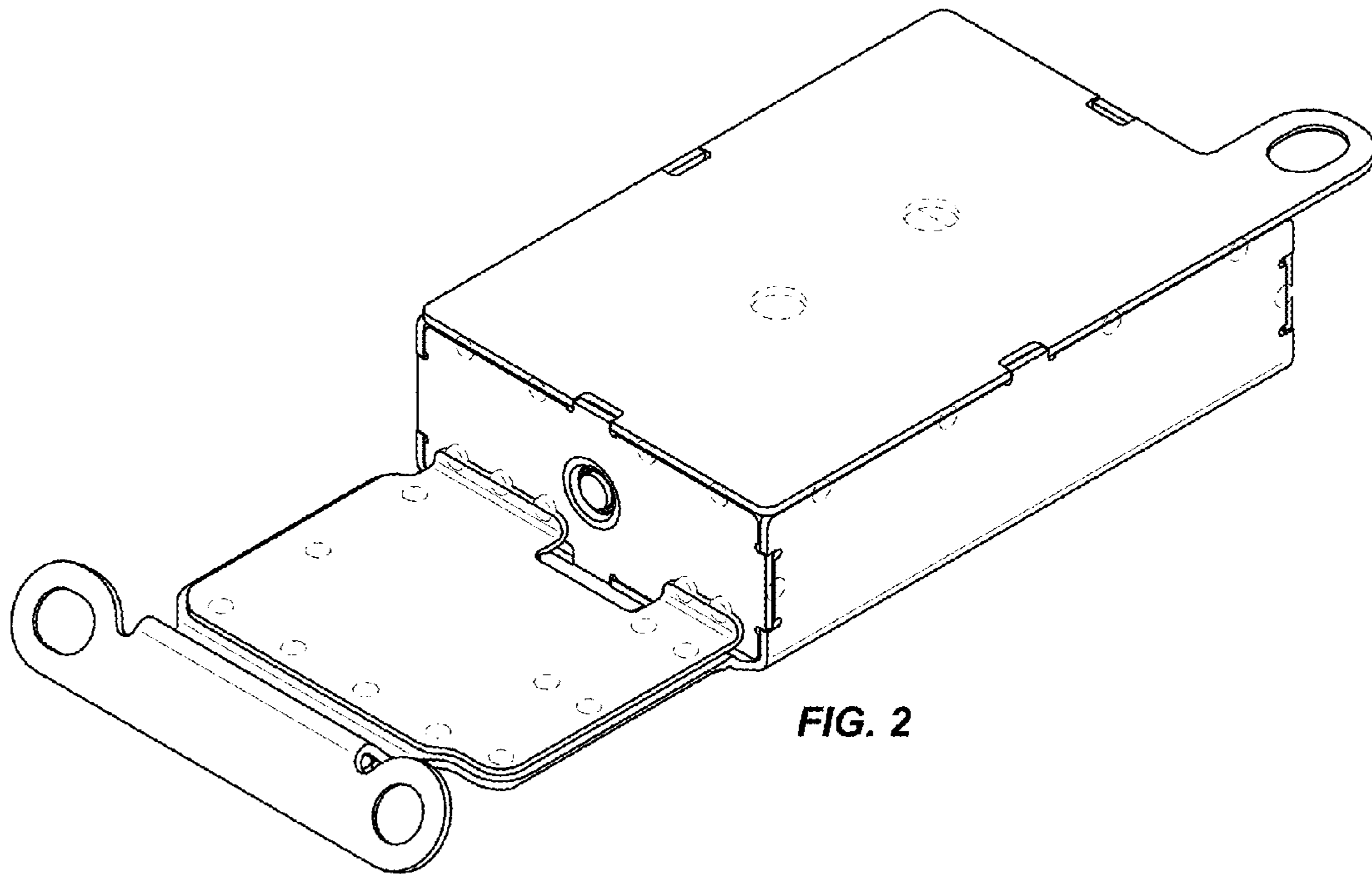


FIG. 2

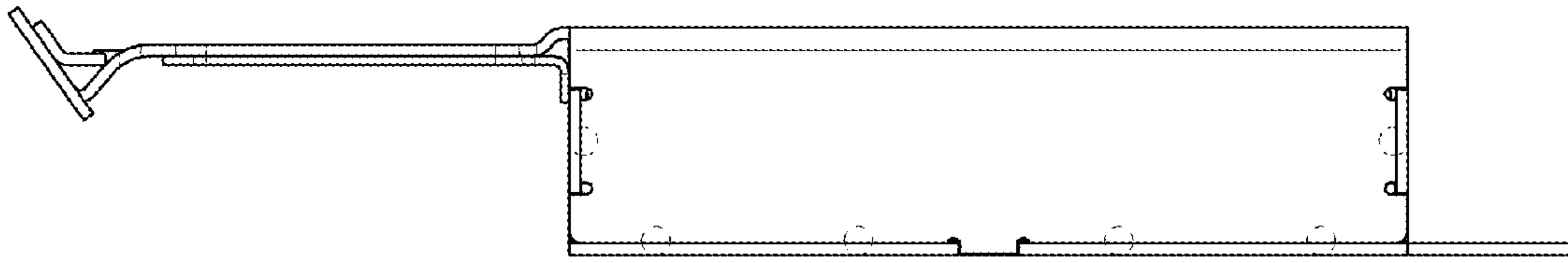


FIG. 3

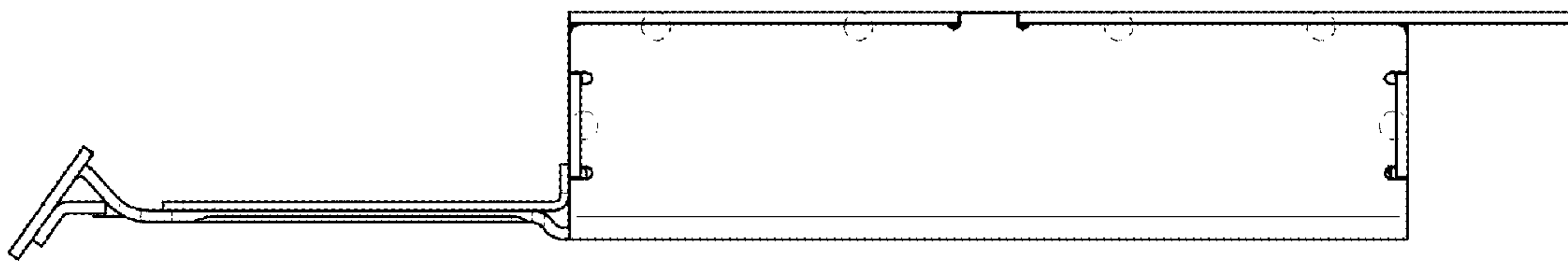


FIG. 4

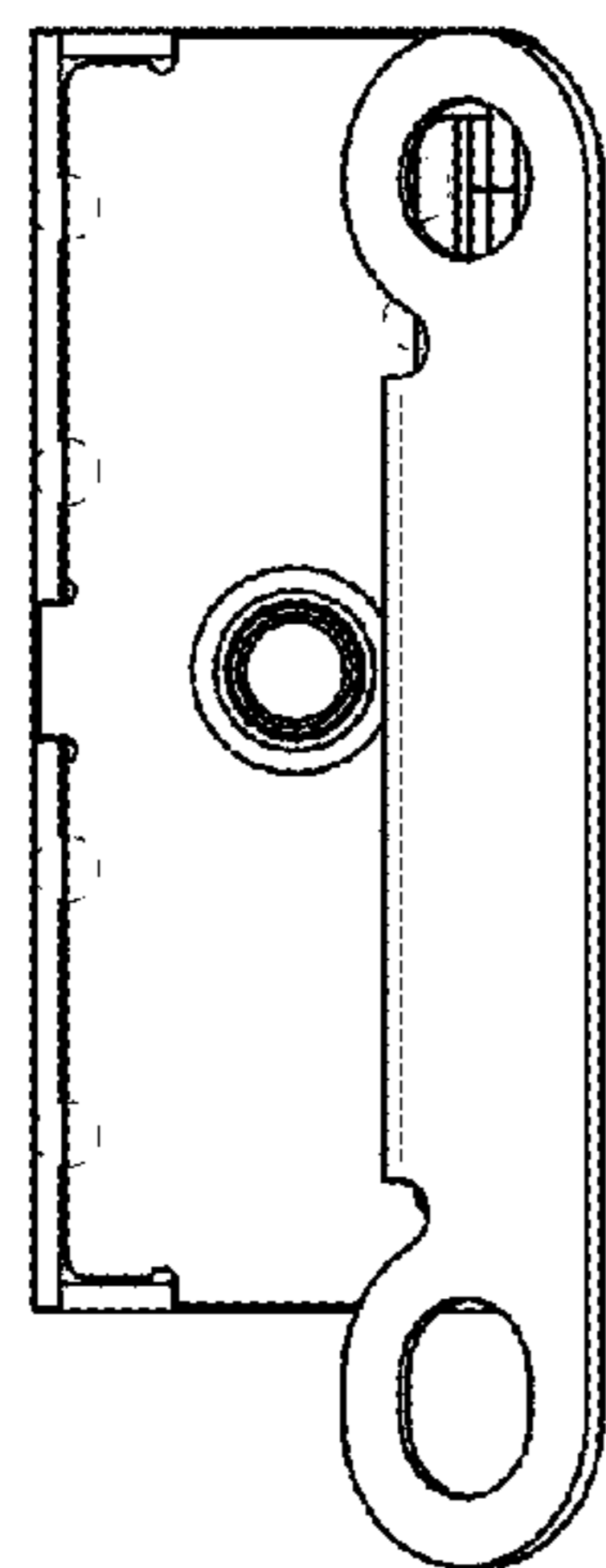


FIG. 5

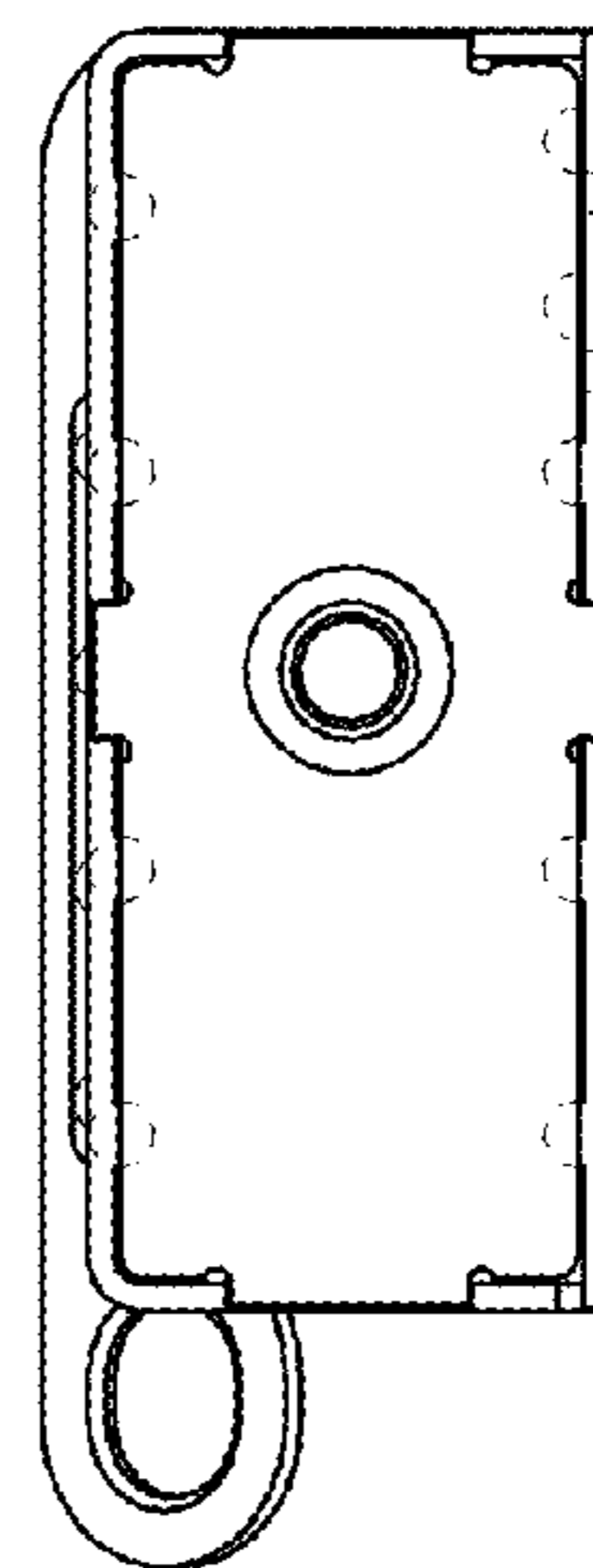


FIG. 6

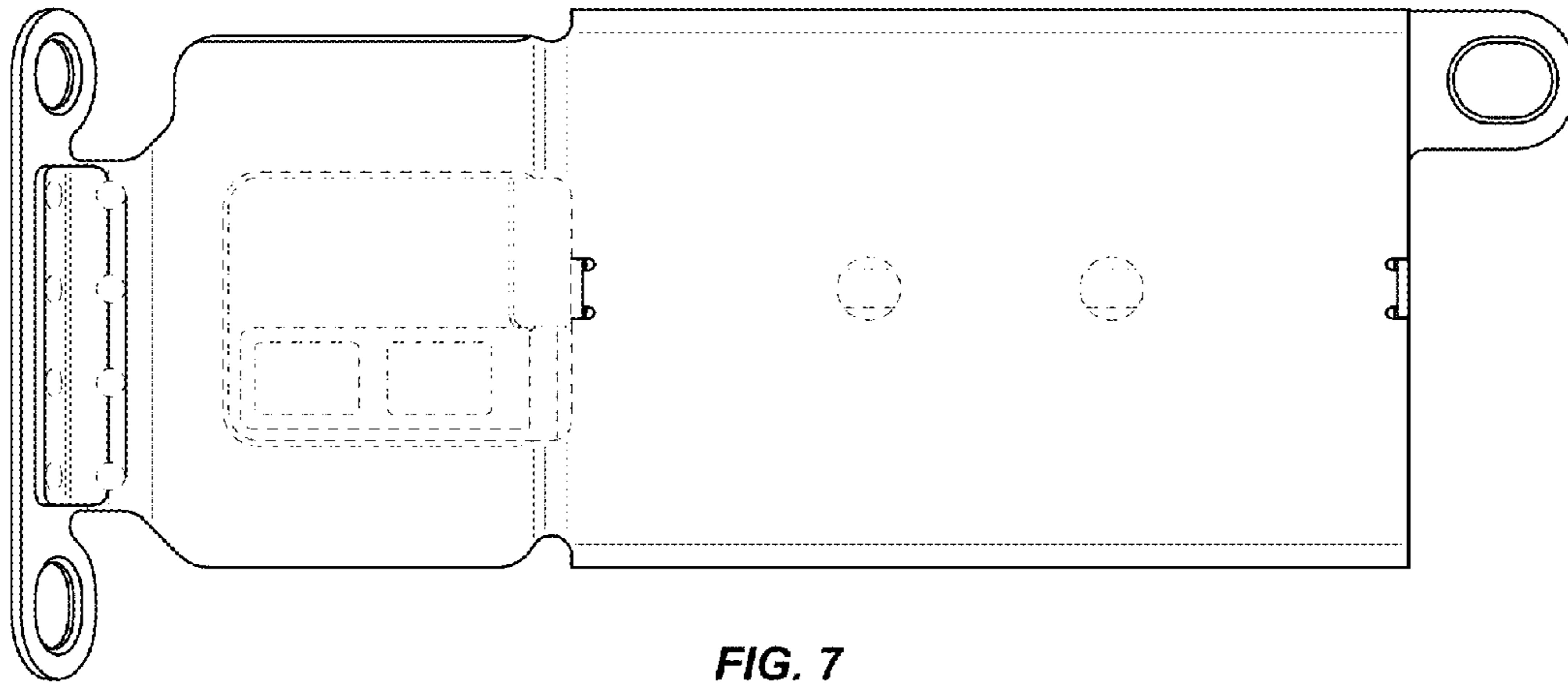


FIG. 7

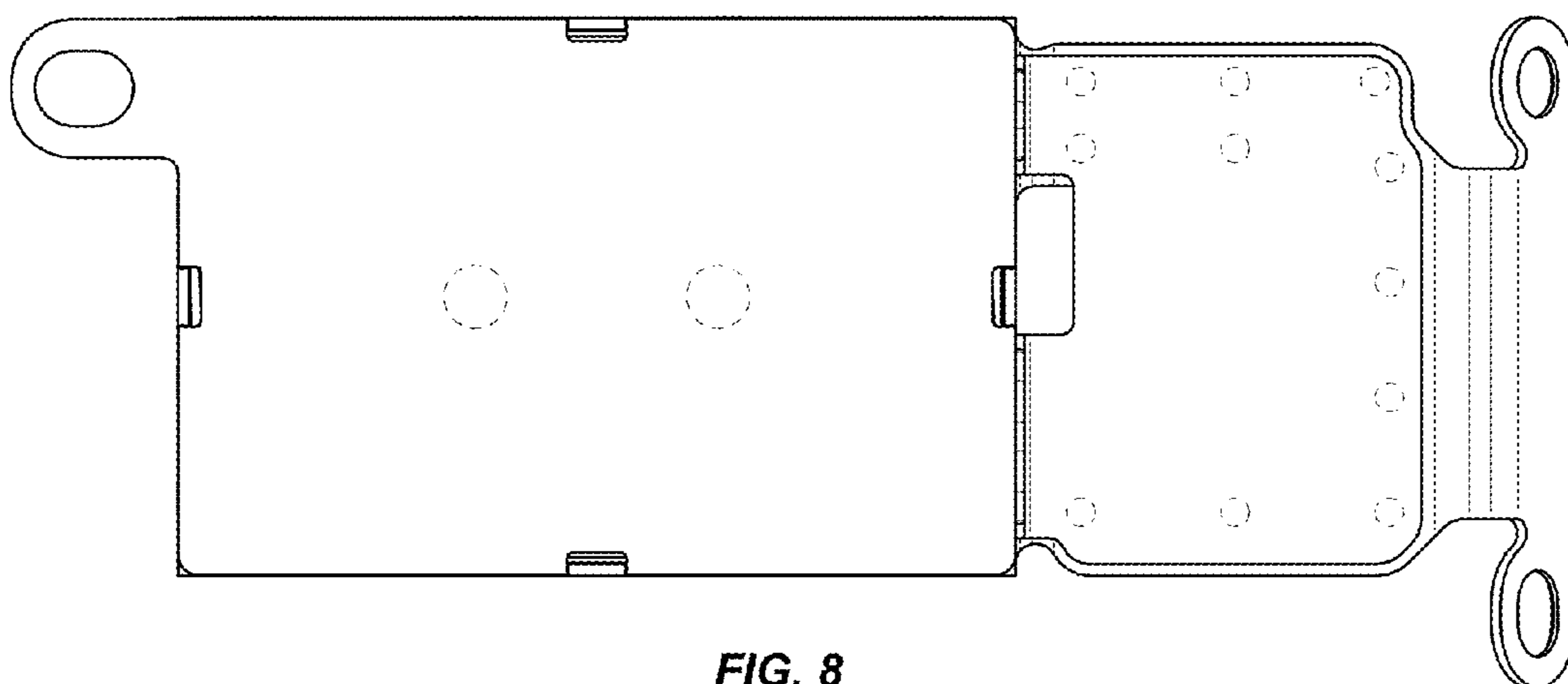


FIG. 8