



US00D742882S

(12) **United States Design Patent**  
**Takano et al.**

(10) **Patent No.:** **US D742,882 S**

(45) **Date of Patent:** **\*\* Nov. 10, 2015**

(54) **BASE PLATE**

(56)

**References Cited**

(71) Applicant: **YOKOGAWA ELECTRIC CORPORATION**, Musashino-shi, Tokyo (JP)  
  
(72) Inventors: **Naoto Takano**, Musashino (JP); **Noriaki Senba**, Musashino (JP); **Kouichirou Shimamura**, Musashino (JP); **Takahiro Tsutsumi**, Musashino (JP)  
  
(73) Assignee: **YOKOGAWA ELECTRIC CORPORATION**, Tokyo (JP)

U.S. PATENT DOCUMENTS

D374,663 S \* 10/1996 Rodrigues et al. .... D14/433  
D391,938 S \* 3/1998 D'Agaro et al. .... D14/439  
6,498,723 B1 \* 12/2002 Konshak et al. .... 361/679.34  
D482,691 S \* 11/2003 McClelland et al. .... D14/432  
D588,132 S \* 3/2009 Lauffer et al. .... D14/432  
7,499,271 B2 \* 3/2009 Wagatsuma et al. .... 361/679.33  
D600,698 S \* 9/2009 Kramer et al. .... D14/432  
D609,195 S \* 2/2010 Yamashita et al. .... D13/162  
D688,248 S \* 8/2013 Tsuda et al. .... D14/439  
D690,711 S \* 10/2013 Tsuda et al. .... D14/474  
D702,242 S \* 4/2014 Tsuda et al. .... D14/439  
8,722,225 B2 \* 5/2014 Kim et al. .... 429/99  
D717,803 S \* 11/2014 Takano et al. .... D14/439  
D733,144 S \* 6/2015 Kostrzewski et al. .... D14/435

(\*\*) Term: **14 Years**

\* cited by examiner

(21) Appl. No.: **29/497,526**

*Primary Examiner* — Austin Murphy

(22) Filed: **Jul. 25, 2014**

(74) *Attorney, Agent, or Firm* — Sughrue Mion, PLLC

(30) **Foreign Application Priority Data**

(57) **CLAIM**

The ornamental design for a base plate, as shown and described.

Jan. 29, 2014 (JP) ..... 2014-001712

**DESCRIPTION**

(51) **LOC (10) Cl.** ..... **14-02**

FIG. 1 is a front perspective view of a base plate showing our new design;

(52) **U.S. Cl.**  
USPC ..... **D14/432**

FIG. 2 is a front view thereof;

(58) **Field of Classification Search**  
USPC ..... D14/300–302, 308–313, 314, 348,  
D14/353–355, 432, 439–446, 240;  
361/679.02, 679.31, 679.5, 690, 694,  
361/679.23, 801, 802; 312/332.1, 334.1;  
D13/162; D10/50

FIG. 3 is a rear view thereof;

FIG. 4 is a left side view thereof;

FIG. 5 is a right side view thereof;

FIG. 6 is a top view thereof;

FIG. 7 is a bottom view thereof; and,

FIG. 8 is a perspective view thereof in use.

CPC .... G11B 5/1272; G11B 5/482; G11B 25/043;  
G11B 33/146

The broken lines shown are included for the purpose of illustrating the unclaimed portions of the base plate and form no part of the claimed design.

See application file for complete search history.

**1 Claim, 6 Drawing Sheets**

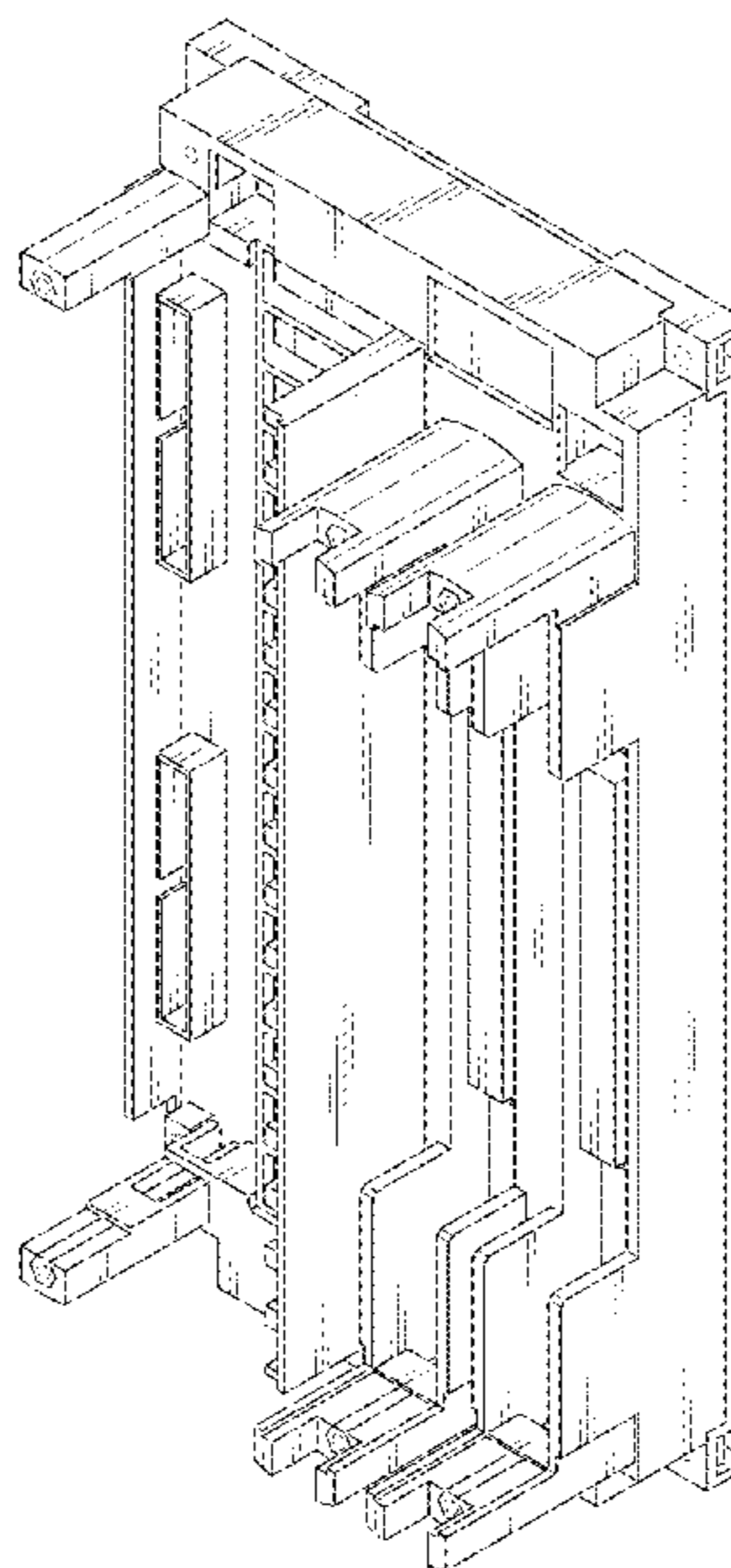


Fig. 1

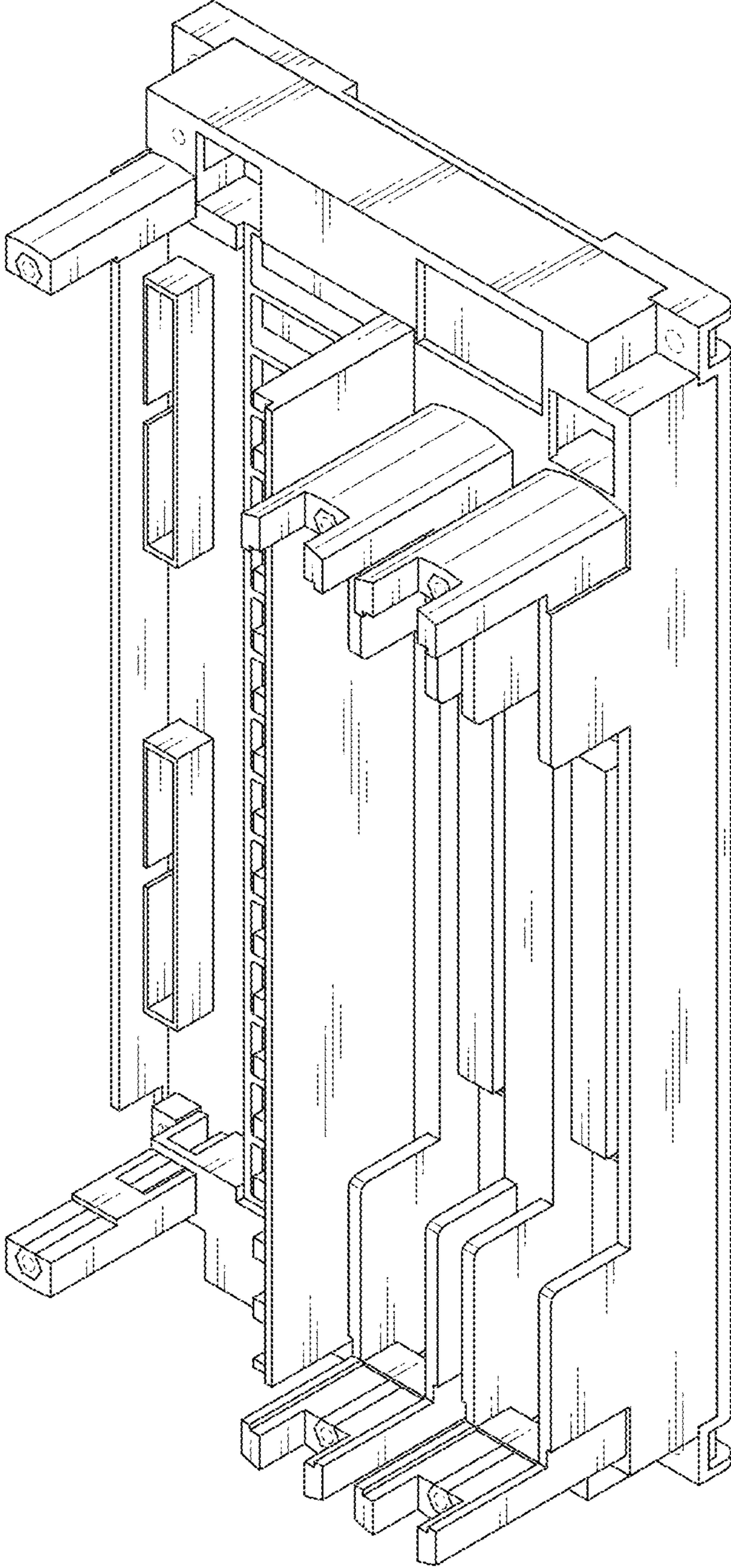


Fig. 2

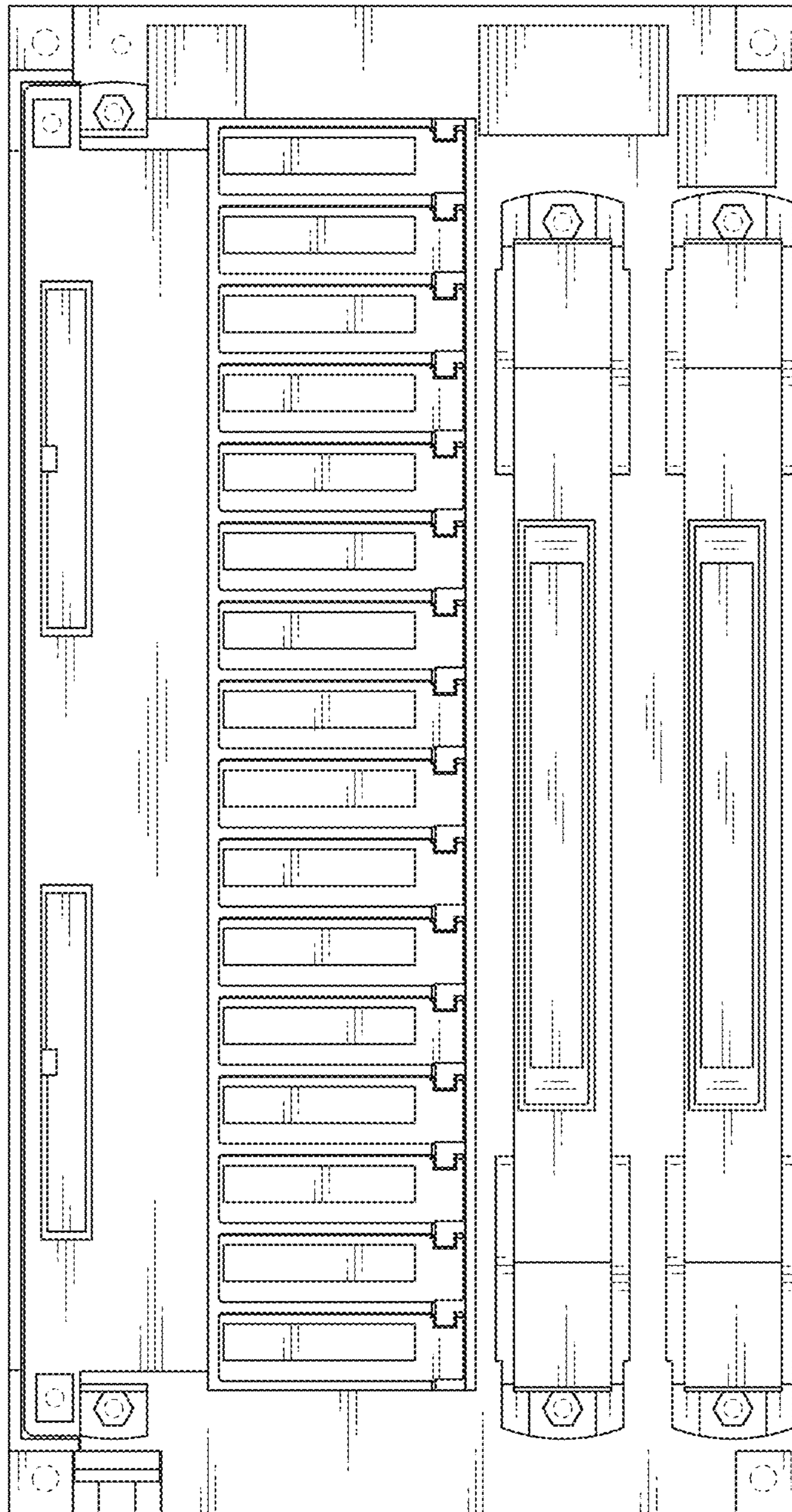


Fig. 3

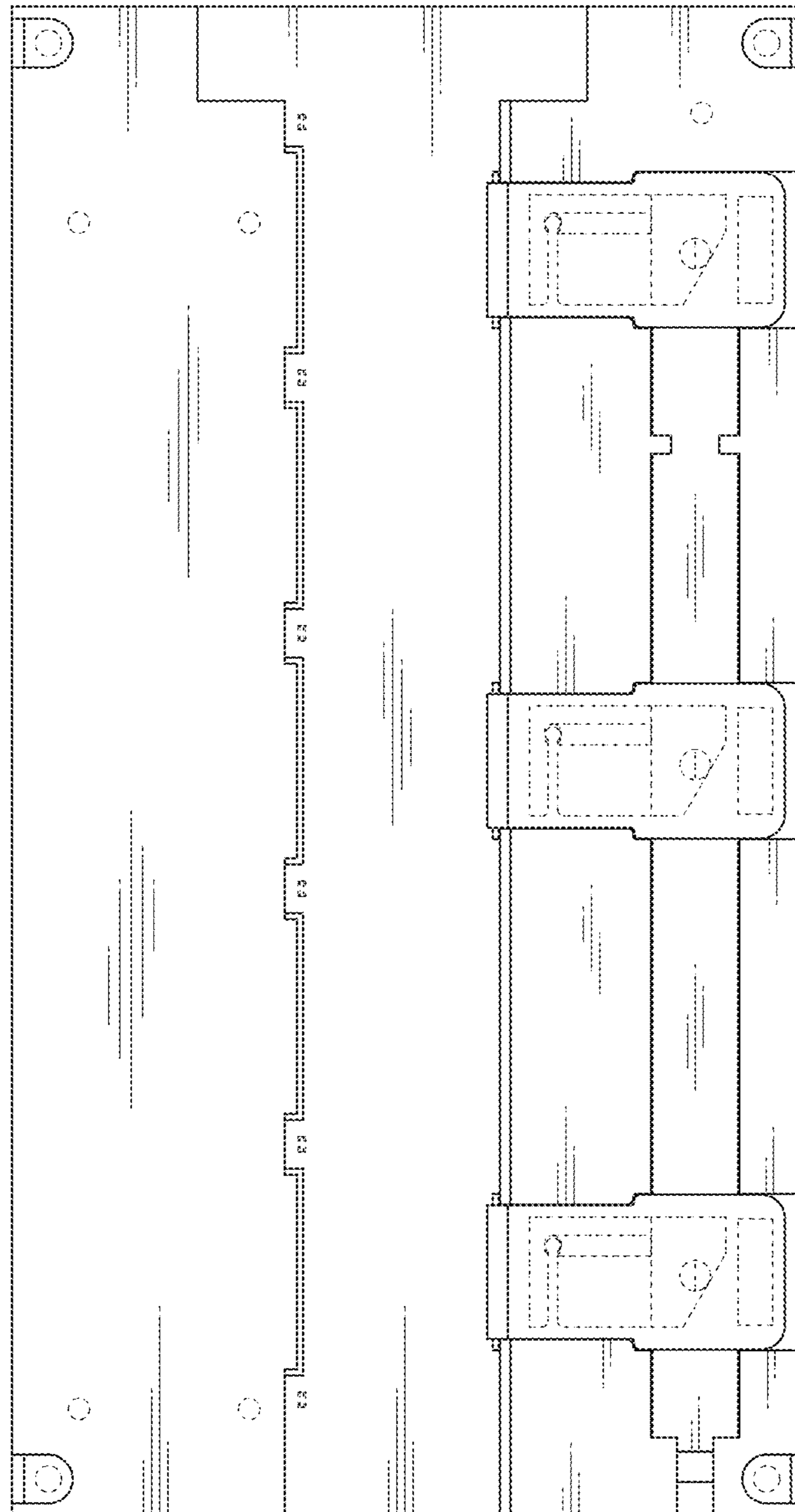


Fig. 4

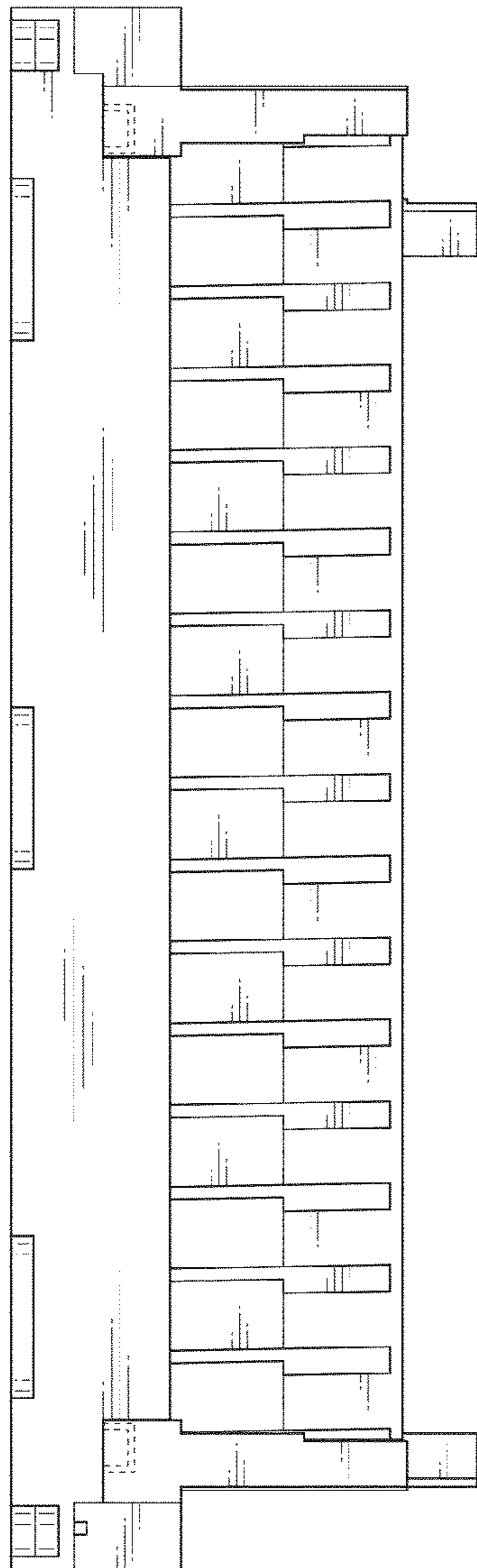


Fig. 5

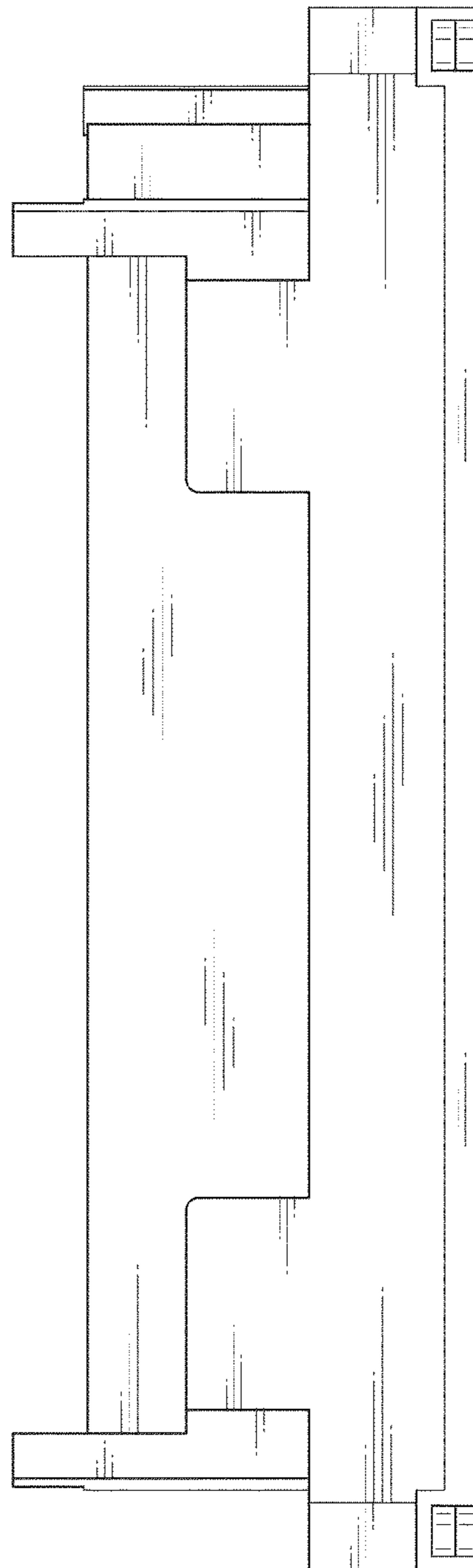


Fig. 6

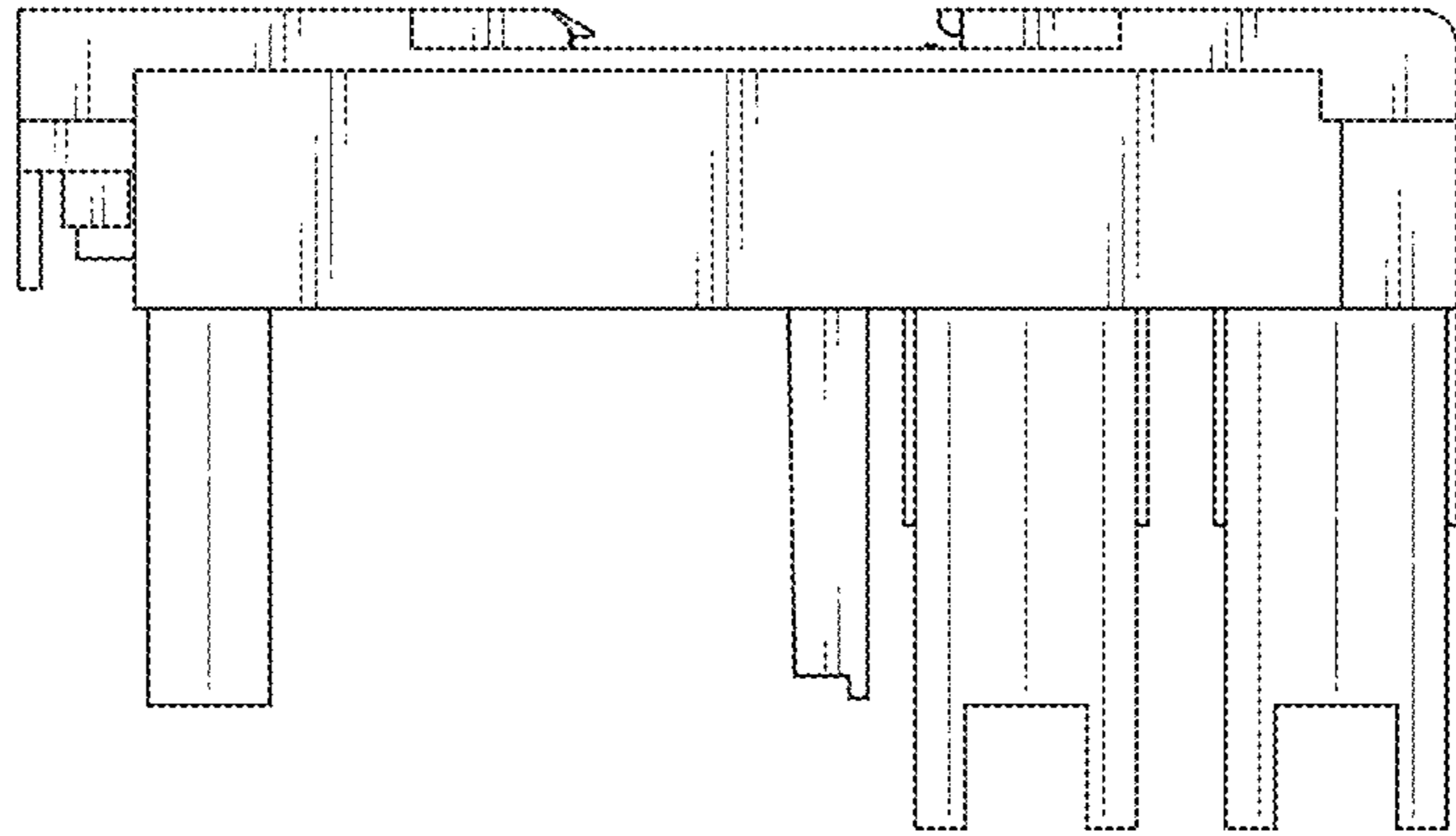


Fig. 7

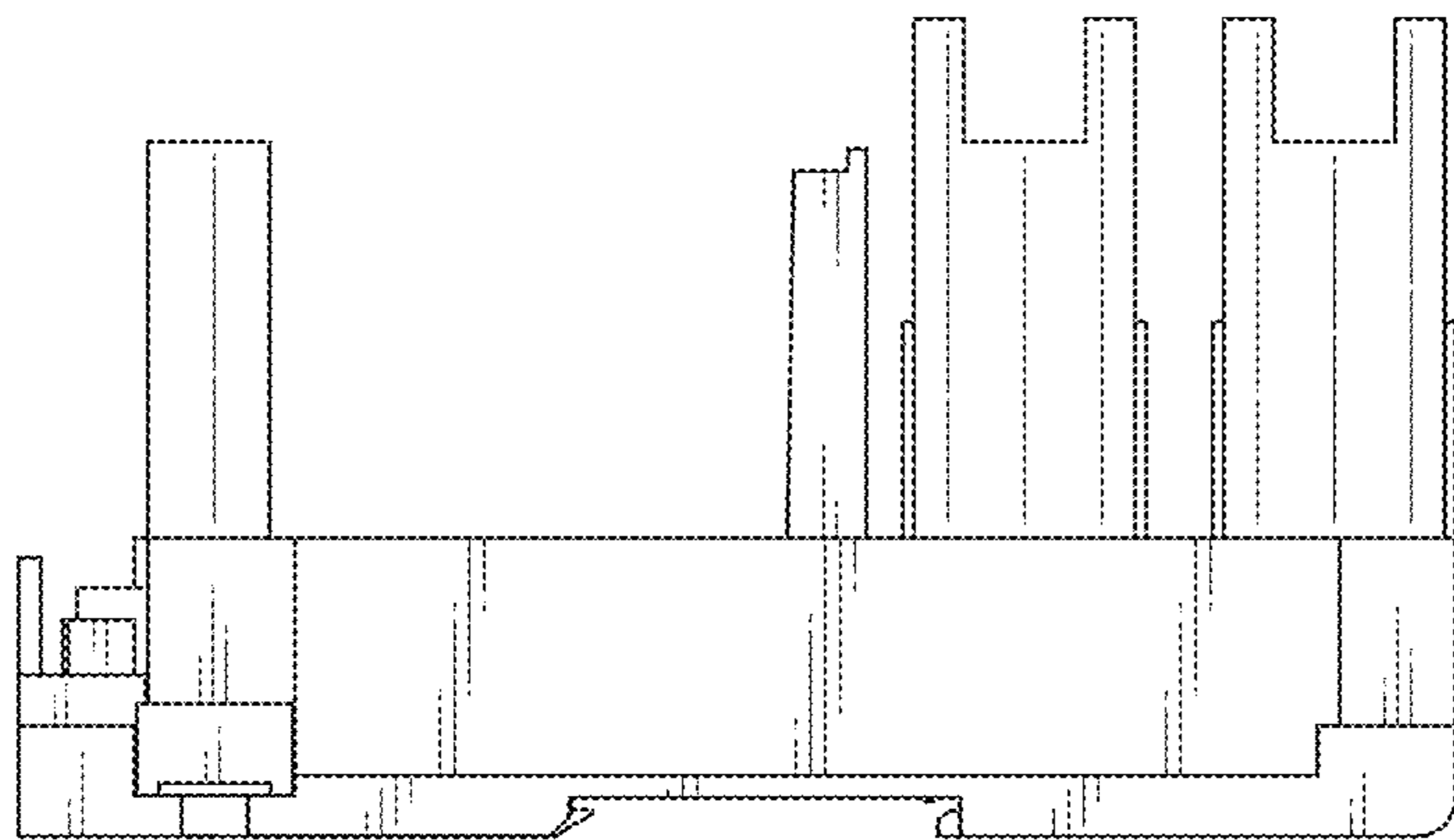


Fig. 8

