



US00D742880S

(12) **United States Design Patent**
Linnemann

(10) **Patent No.:** **US D742,880 S**

(45) **Date of Patent:** **** Nov. 10, 2015**

(54) **ACCUMULATOR UNIT**

(71) Applicant: **Sennheiser electronic GmbH & Co. KG, Wedemark (DE)**

(72) Inventor: **Ulf Linnemann, Hannover (DE)**

(73) Assignee: **Sennheiser electronic GmbH & Co. KG, Wedemark (DE)**

(**) Term: **14 Years**

(21) Appl. No.: **29/496,245**

(22) Filed: **Jul. 10, 2014**

(51) **LOC (10) Cl.** **14-02**

(52) **U.S. Cl.**
USPC **D14/432**

(58) **Field of Classification Search**
USPC D14/434, 447, 453, 432, 433, 385, 357,
D14/149, 457, 253, 251, 356, 242, 439,
D14/344; D13/108, 118, 199, 107, 177;
D3/218, 228, 269; D18/12; D8/349,
D8/382; 361/683, 686, 679, 600; 455/557,
455/556.1, 556.2, 575.4, 569.2, 569.1,
248/346.03, 176.1, 181.1, 309.1,
248/221.11; 200/6 R
CPC .. F15B 1/027; F15B 13/0431; F16H 61/0025;
F16H 61/0009

See application file for complete search history.

(56) **References Cited**

U.S. PATENT DOCUMENTS

D455,431 S * 4/2002 Freitag D14/432
D482,693 S * 11/2003 Nishio D14/432
D574,833 S * 8/2008 Hussaini D13/107

D589,962 S * 4/2009 Maruyama D14/432
D600,698 S * 9/2009 Kramer D14/432
D662,937 S * 7/2012 Lohman D14/432
D683,732 S * 6/2013 Barley D14/432
D702,239 S * 4/2014 Lee D14/432
D703,671 S * 4/2014 Hackett D14/433
2003/0045176 A1* 3/2003 Liu H01R 35/02
439/687

* cited by examiner

Primary Examiner — Austin Murphy

(74) *Attorney, Agent, or Firm* — Frommer Lawrence & Haug LLP

(57) **CLAIM**

The ornamental design for an accumulator unit, as shown and described.

DESCRIPTION

FIG. 1 is a front view of the accumulator unit in accordance with the invention.
FIG. 2 is a rear view of the accumulator unit in accordance with the invention.
FIG. 3 is a bottom view of the accumulator unit in accordance with the invention.
FIG. 4 is a top view of the accumulator unit in accordance with the invention.
FIG. 5 is a right side view of the accumulator unit in accordance with the invention.
FIG. 6 is a left side view of the accumulator unit in accordance with the invention.
FIG. 7 is a front perspective view of the accumulator unit in accordance with the invention; and,
FIG. 8 is a rear perspective view of the accumulator unit in accordance with the invention.

1 Claim, 8 Drawing Sheets

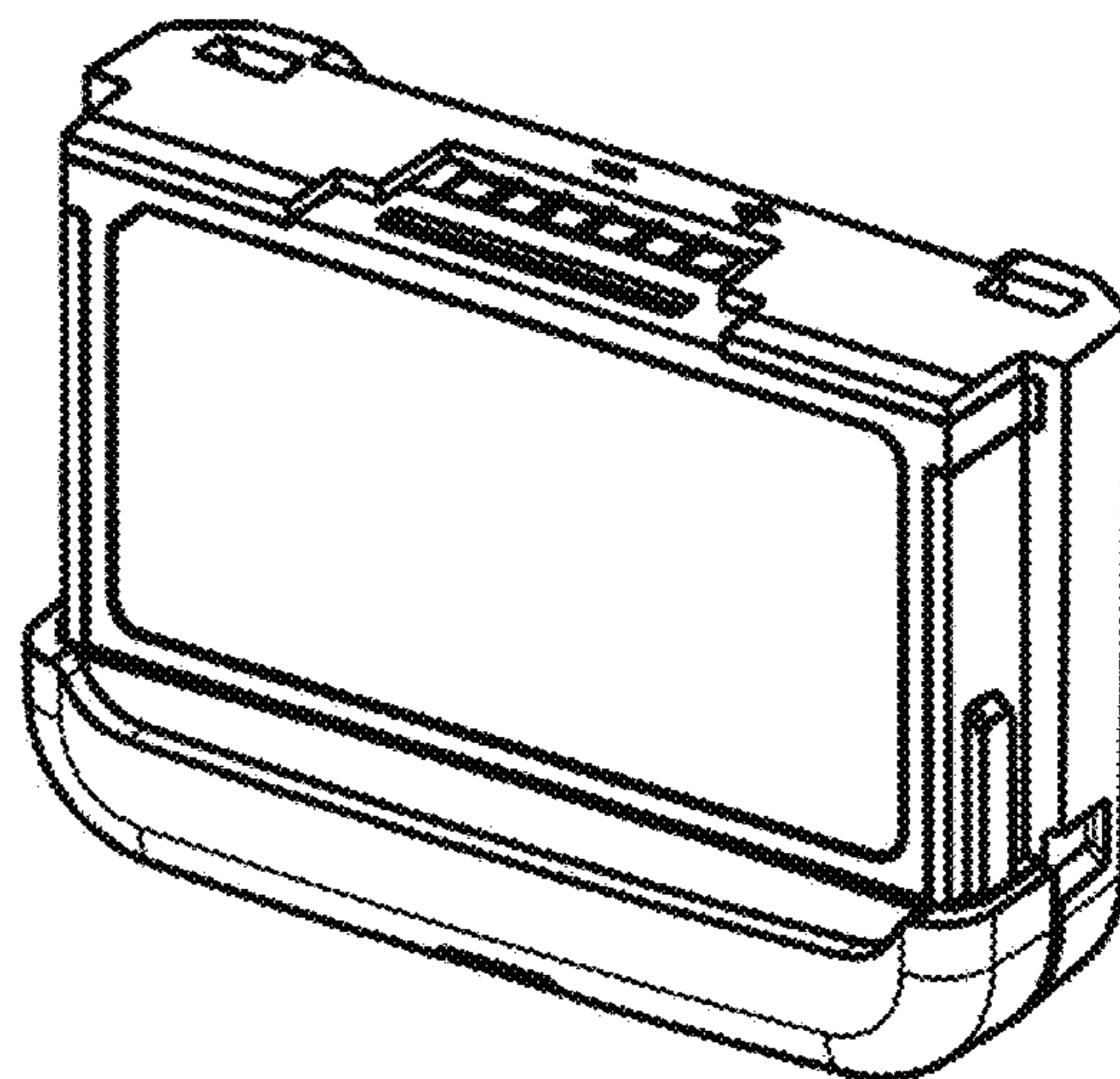
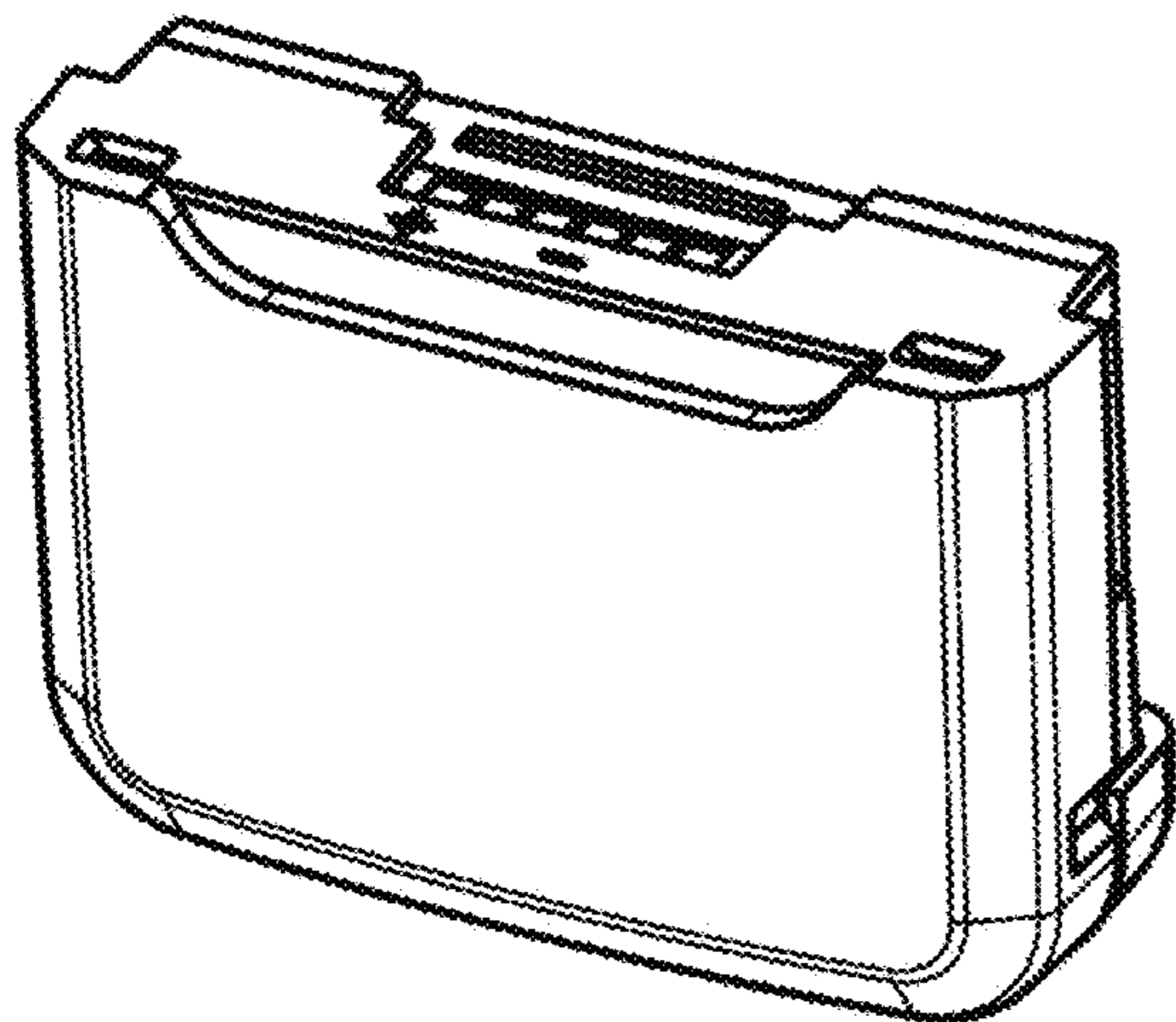


Fig. 1

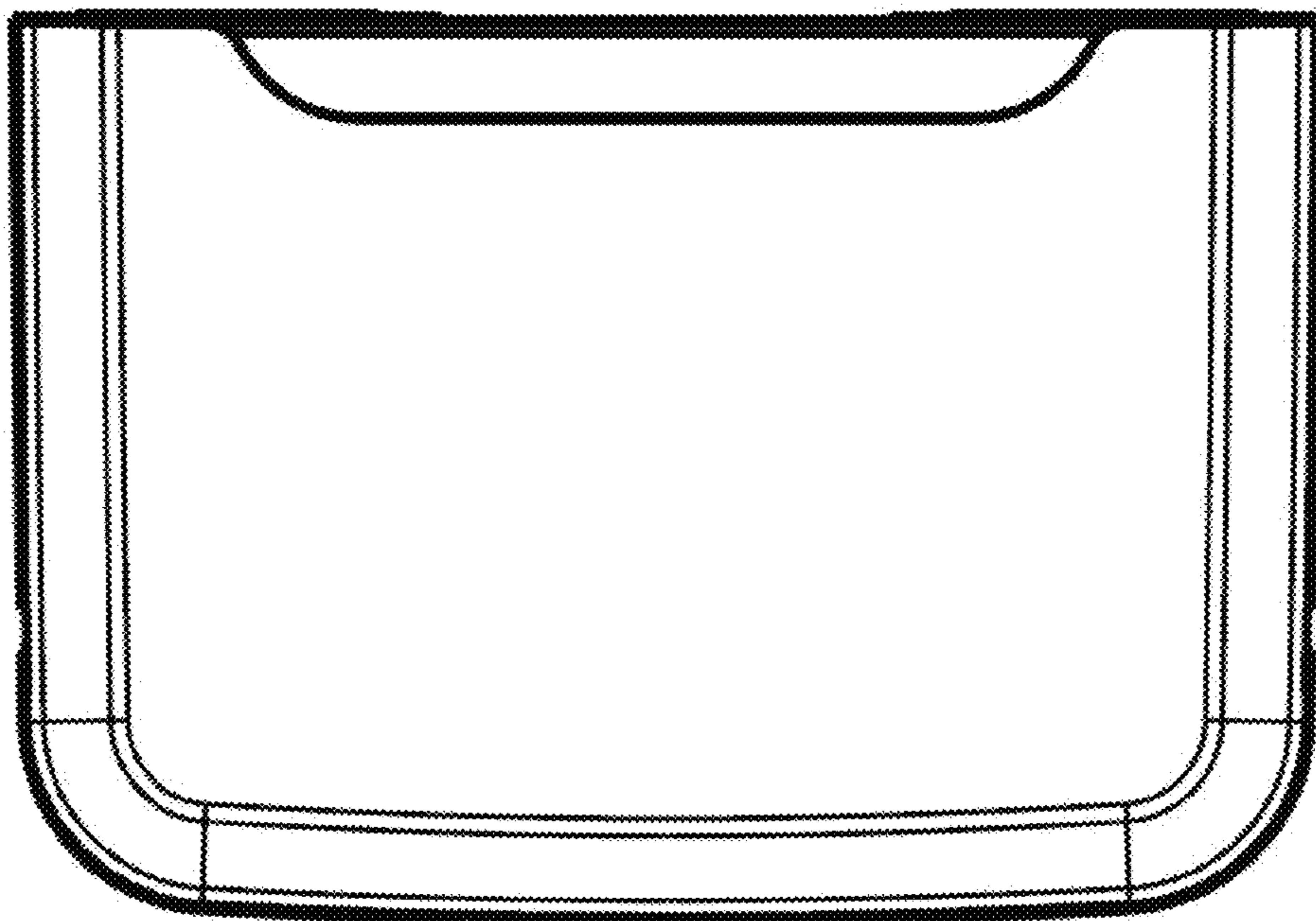


Fig. 2

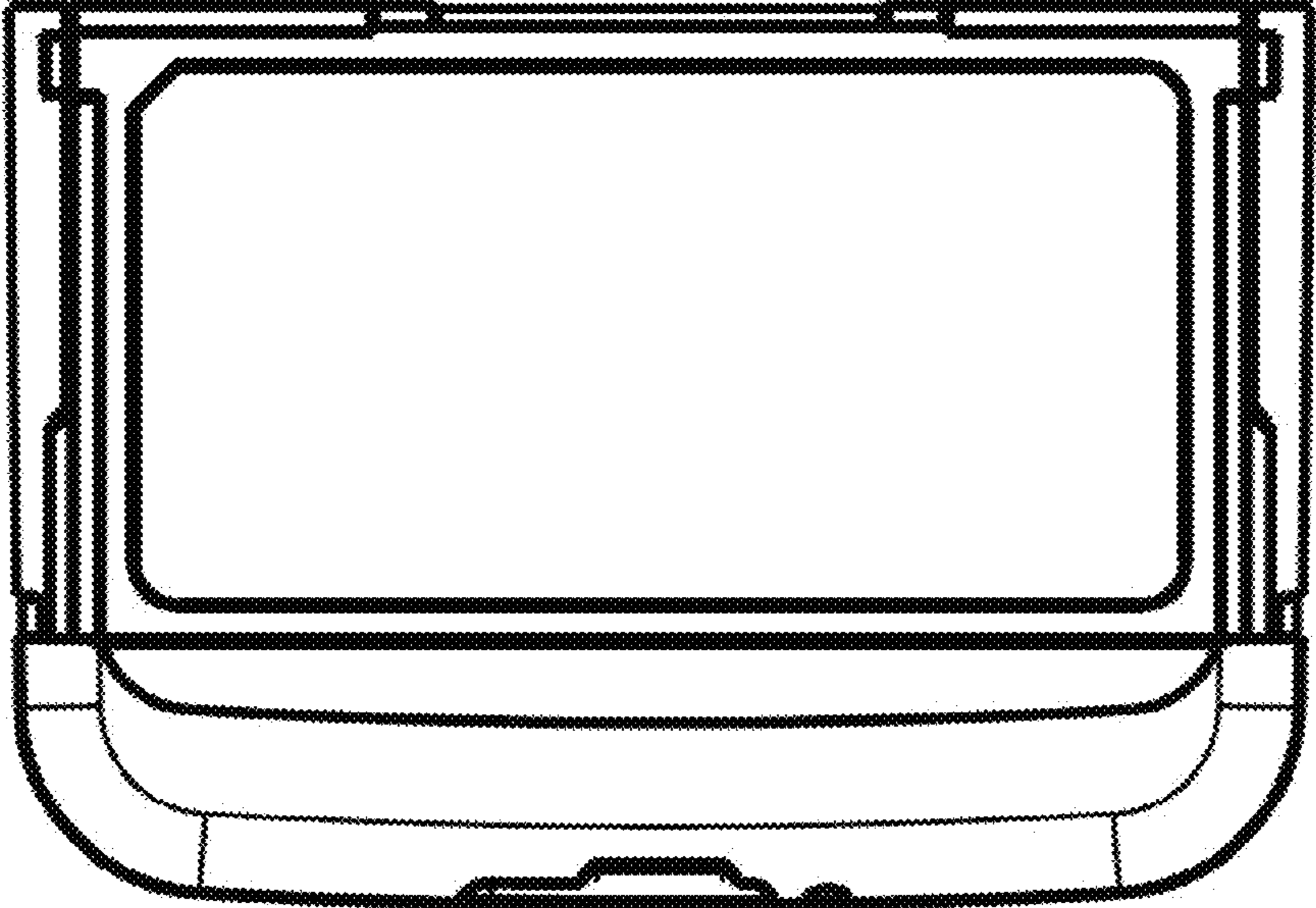


Fig. 3

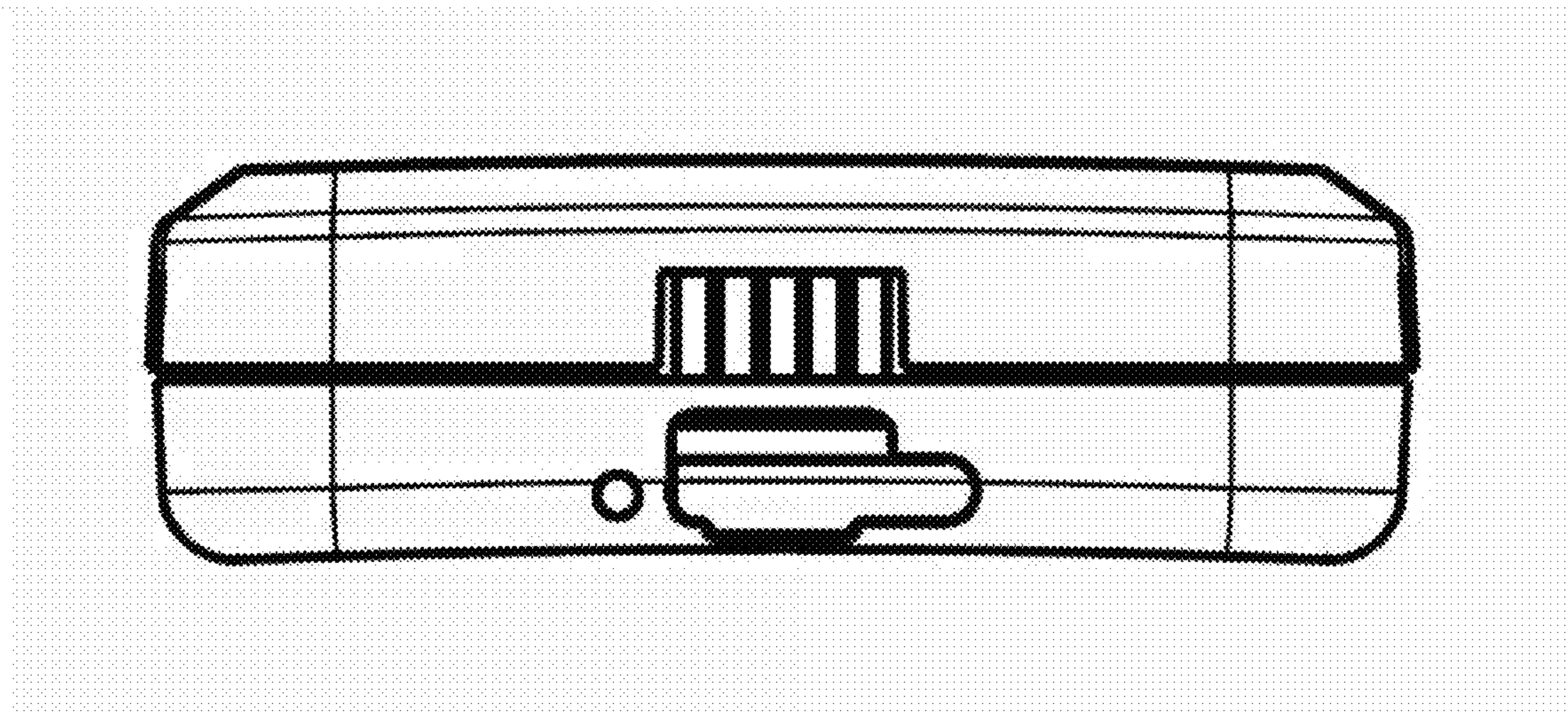


Fig. 4

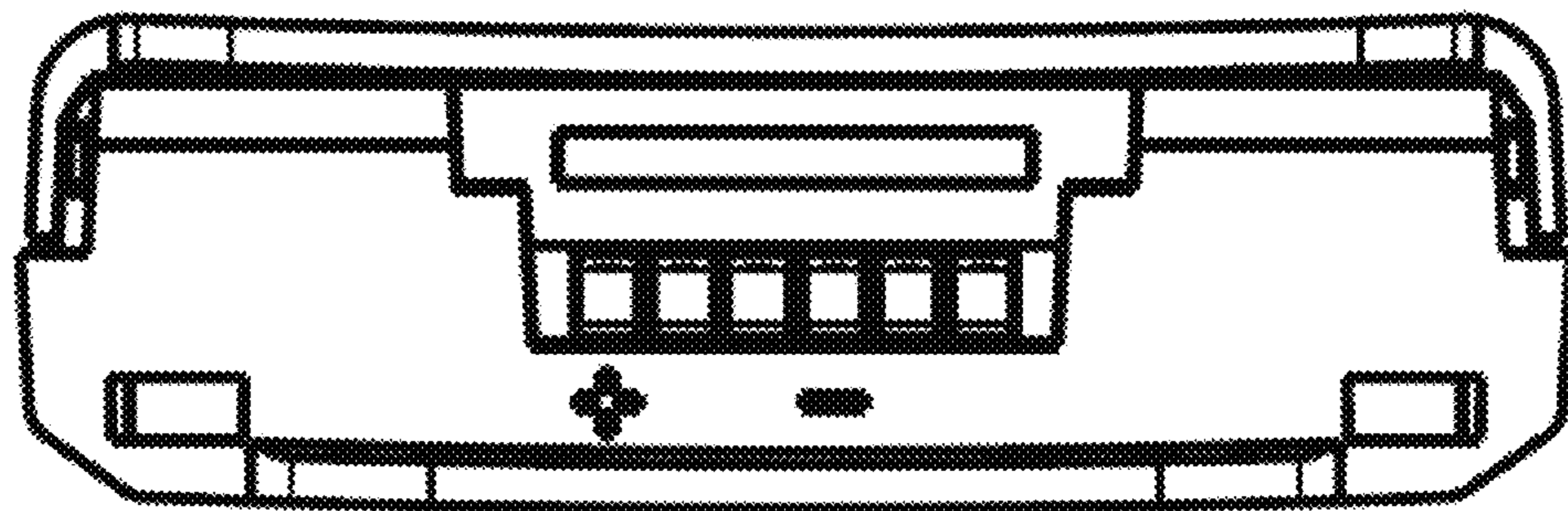


Fig. 5

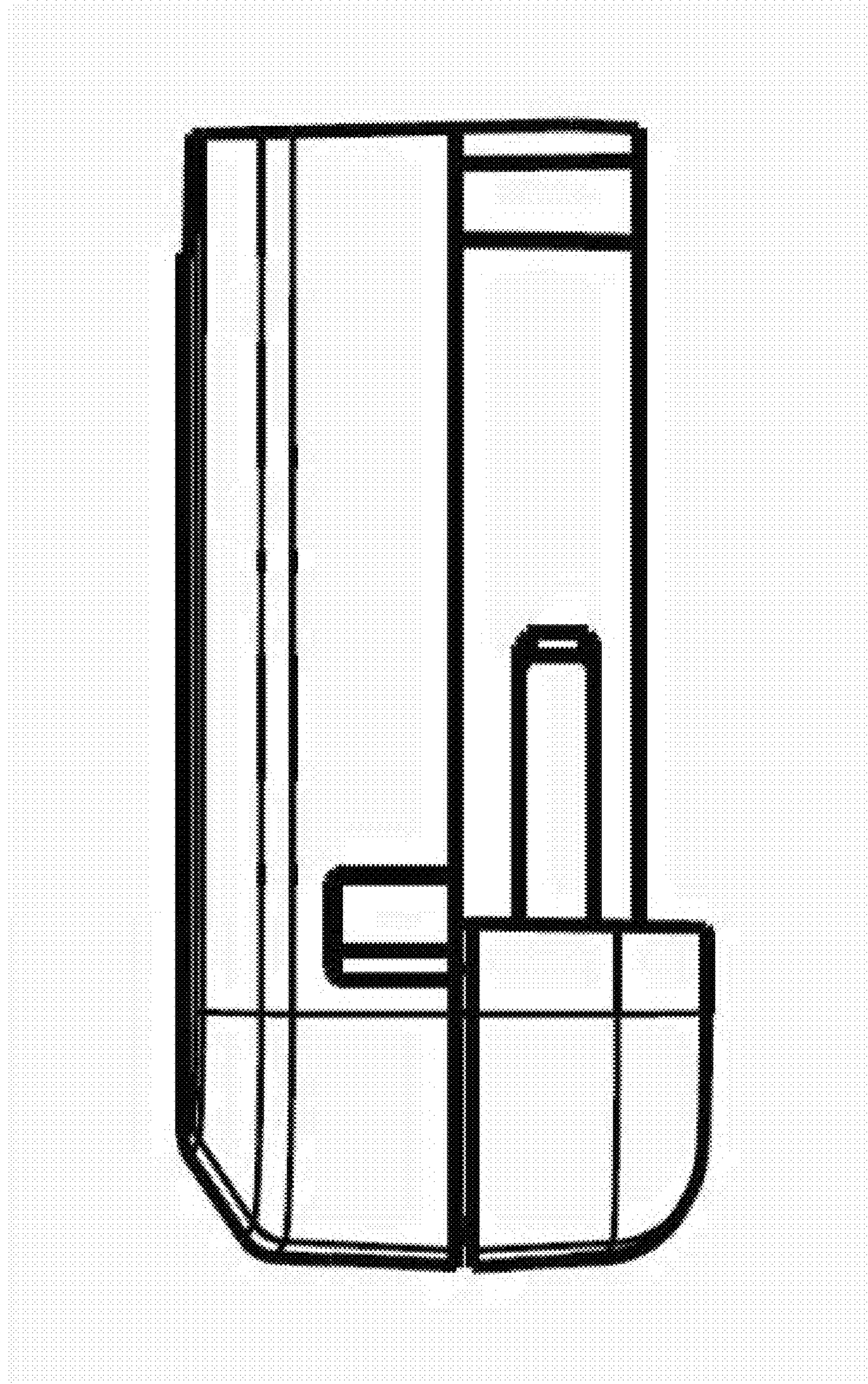


Fig. 6

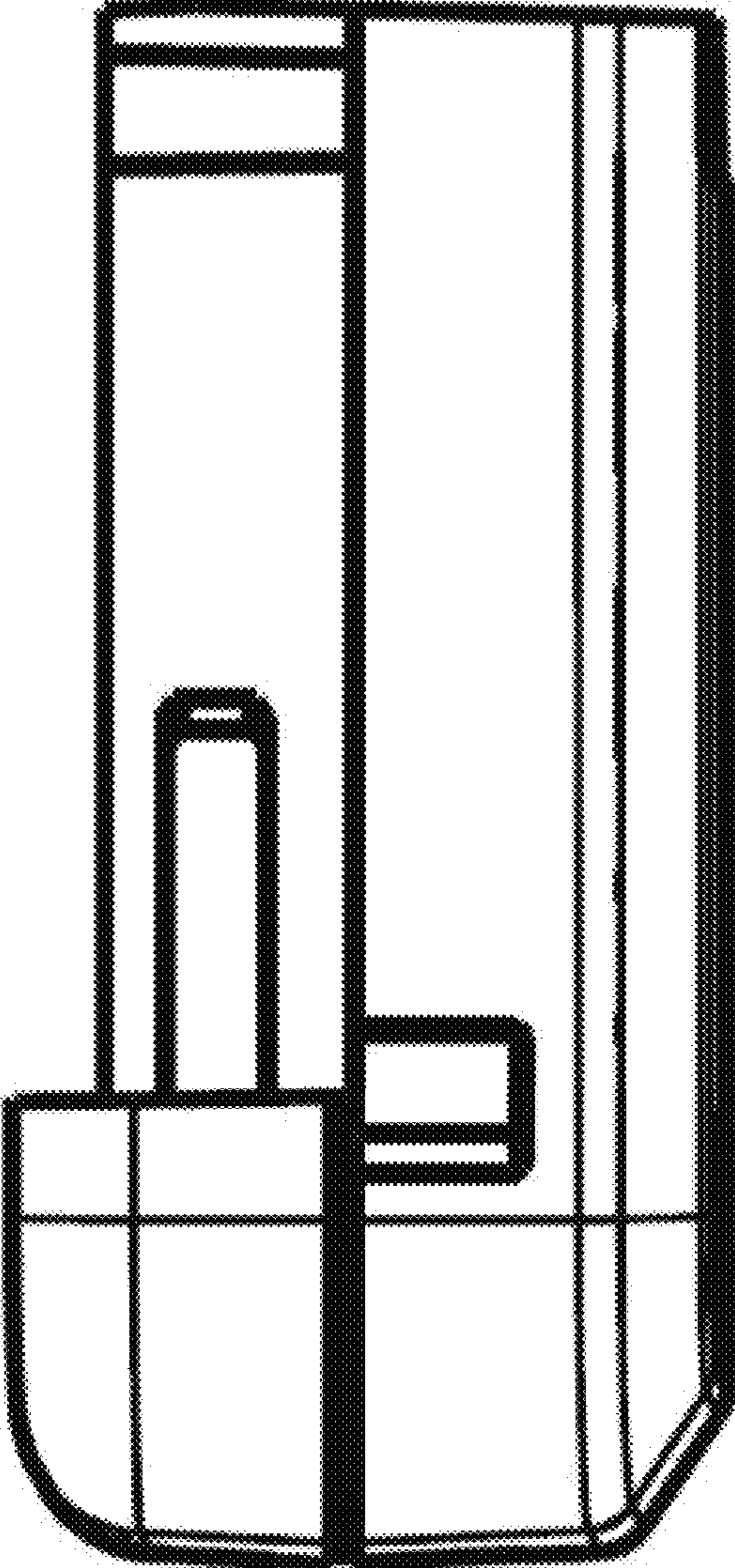


Fig. 7

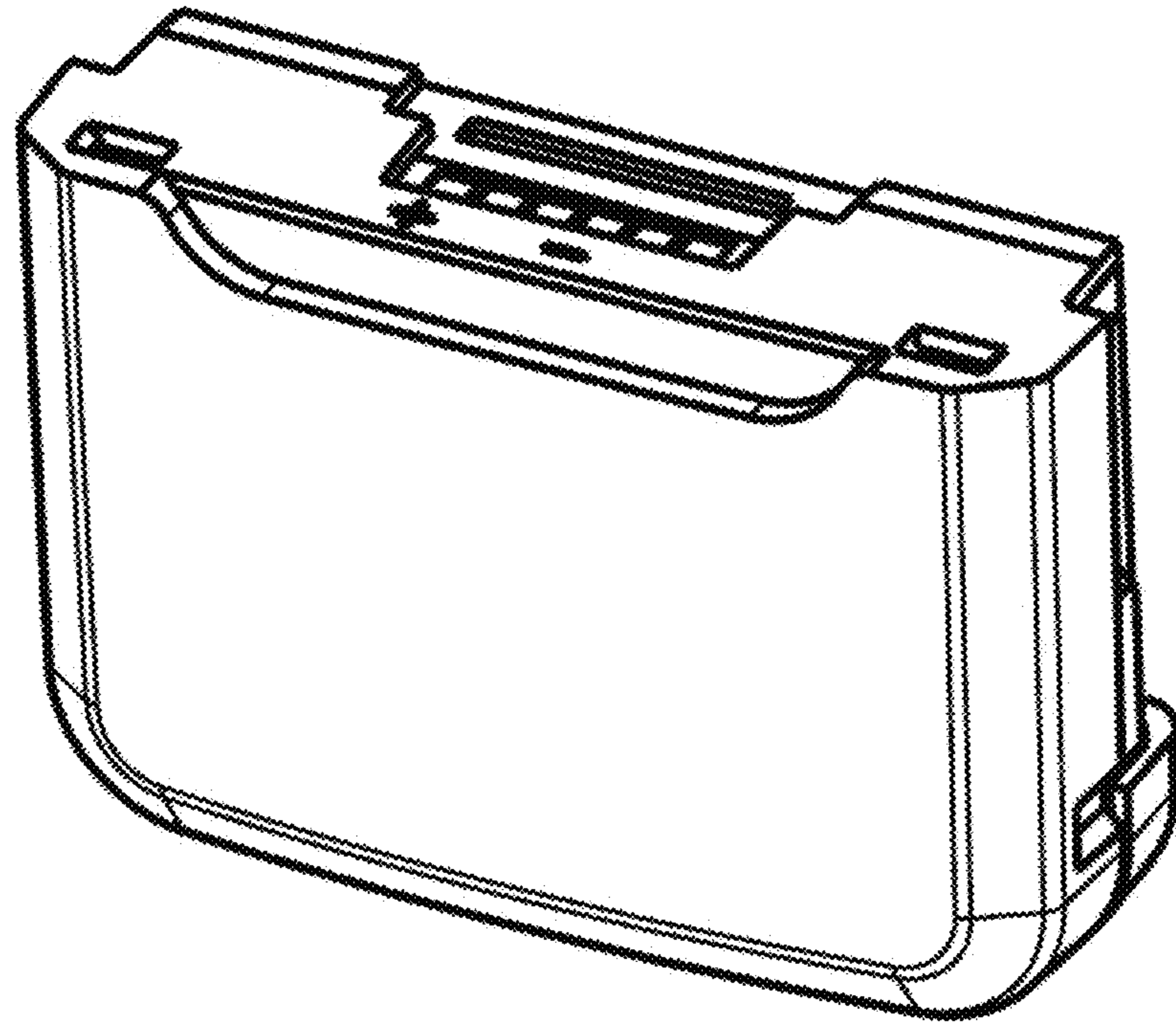


Fig. 8

