



US00D742879S

(12) **United States Design Patent**
Helwig et al.

(10) **Patent No.:** **US D742,879 S**

(45) **Date of Patent:** **** Nov. 10, 2015**

(54) **INPUT DEVICE**

(71) Applicant: **Logitech Europe S.A.**, Lausanne (CH)

(72) Inventors: **Marten Helwig**, Bern (CH); **Cathal Loughnane**, Co. Wexford (IE); **James Lynch**, Co. Dublin (IE); **Darragh Luttrell**, Co. Cork (IE); **Cathal Gorey**, Co. Cork (IE); **Martin Gleeson**, Co. Cork (IE); **Greg Dizac**, Monnaz (CH); **Padraig McLoughlin**, Innishannon (IE); **Arnaud Perret-Gentil**, Lausanne (CH); **Vincent Mayor**, Rolle (CH); **Rory McGarry**, Co. Dublin (IE)

(73) Assignee: **Logitech Europe S.A.**, Lausanne (CH)

(**) Term: **14 Years**

(21) Appl. No.: **29/508,892**

(22) Filed: **Nov. 12, 2014**

(51) **LOC (10) Cl.** **14-02**

(52) **U.S. Cl.**
USPC **D14/409**

(58) **Field of Classification Search**
USPC D14/402-411, 356, 388, 389, 383-385,
D14/417, 426; 345/156-167; 463/36-38;
358/471, 473; 273/148 B
CPC G06F 3/03543; G06F 2203/0333;
G06F 3/039; G06F 3/038; G06F 2203/0384
See application file for complete search history.

(56) **References Cited**

U.S. PATENT DOCUMENTS

D411,837 S *	7/1999	Sheehan	D14/409
D470,496 S *	2/2003	Sheehan et al.	D14/417
D471,556 S *	3/2003	O’Keeffe et al.	D14/408
D533,554 S *	12/2006	Sheehan et al.	D14/409
D540,801 S *	4/2007	Chatterjee et al.	D14/409
D562,822 S *	2/2008	Canavan et al.	D14/409
D596,180 S *	7/2009	Manalo et al.	D14/406
D618,685 S *	6/2010	Haase et al.	D14/409
D620,009 S *	7/2010	Lin et al.	D14/409
D638,428 S *	5/2011	Kujawski et al.	D14/409
D665,392 S *	8/2012	Jost	D14/409
D667,410 S *	9/2012	Altaai	D14/417
D669,895 S *	10/2012	Li et al.	D14/409
D681,039 S *	4/2013	Altaai	D14/417
D688,245 S *	8/2013	Guerra	D14/409

* cited by examiner

Primary Examiner — Austin Murphy

(74) *Attorney, Agent, or Firm* — Kilpatrick Townsend & Stockton LLP

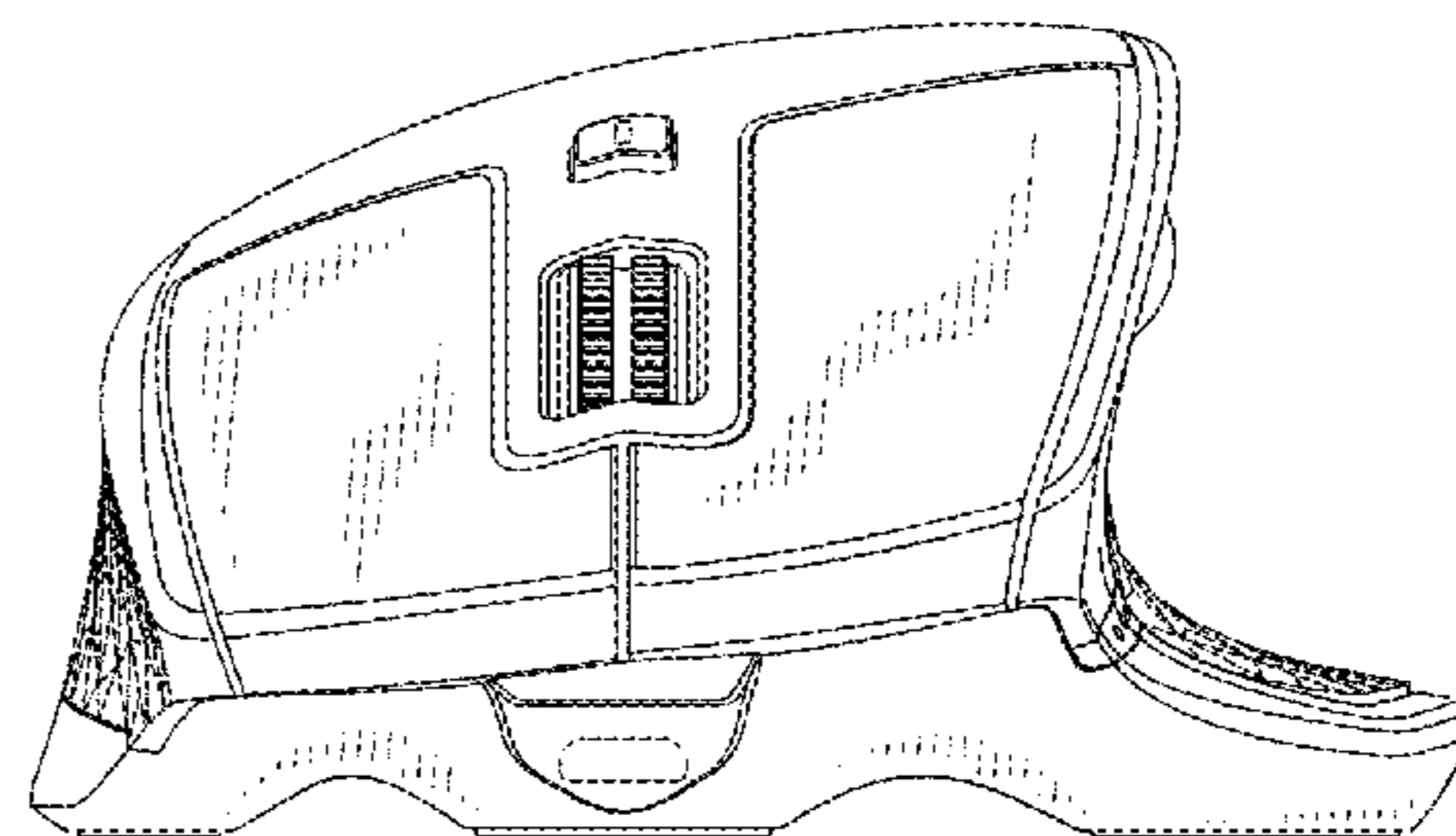
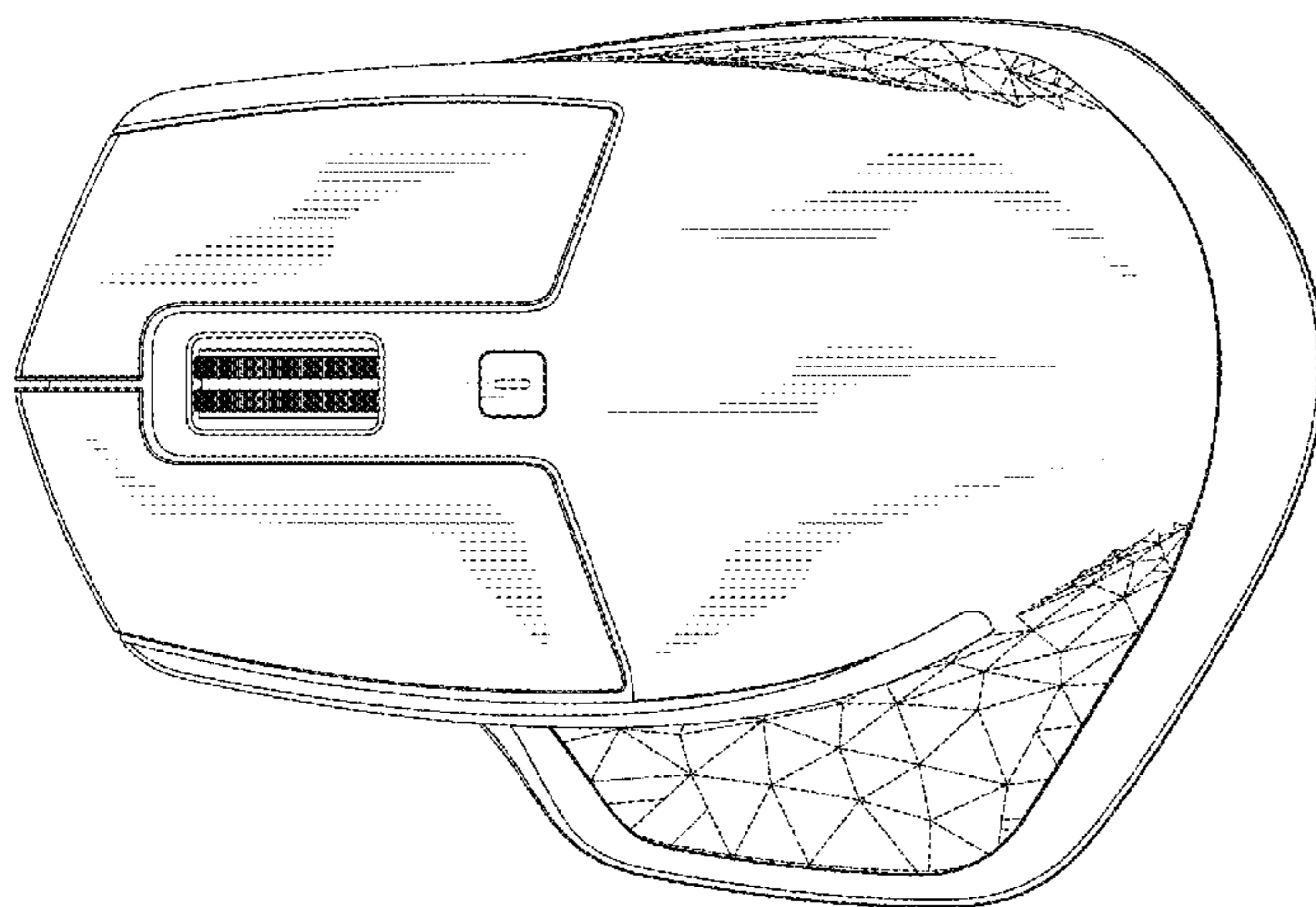
(57) **CLAIM**

The ornamental design for a input device, as shown and described.

DESCRIPTION

FIG. 1 is a perspective view of a second embodiment of our input device showing our new design;
FIG. 2 is a top plan view thereof;
FIG. 3 is a bottom plan view thereof;
FIG. 4 is a front elevational view thereof;
FIG. 5 is a back elevational view thereof;
FIG. 6 is a left side elevational view thereof; and,
FIG. 7 is a right side elevational view thereof.
The perspective views are not drawn to scale. Broken lines shown in the drawings form no part of the claimed design.

1 Claim, 4 Drawing Sheets



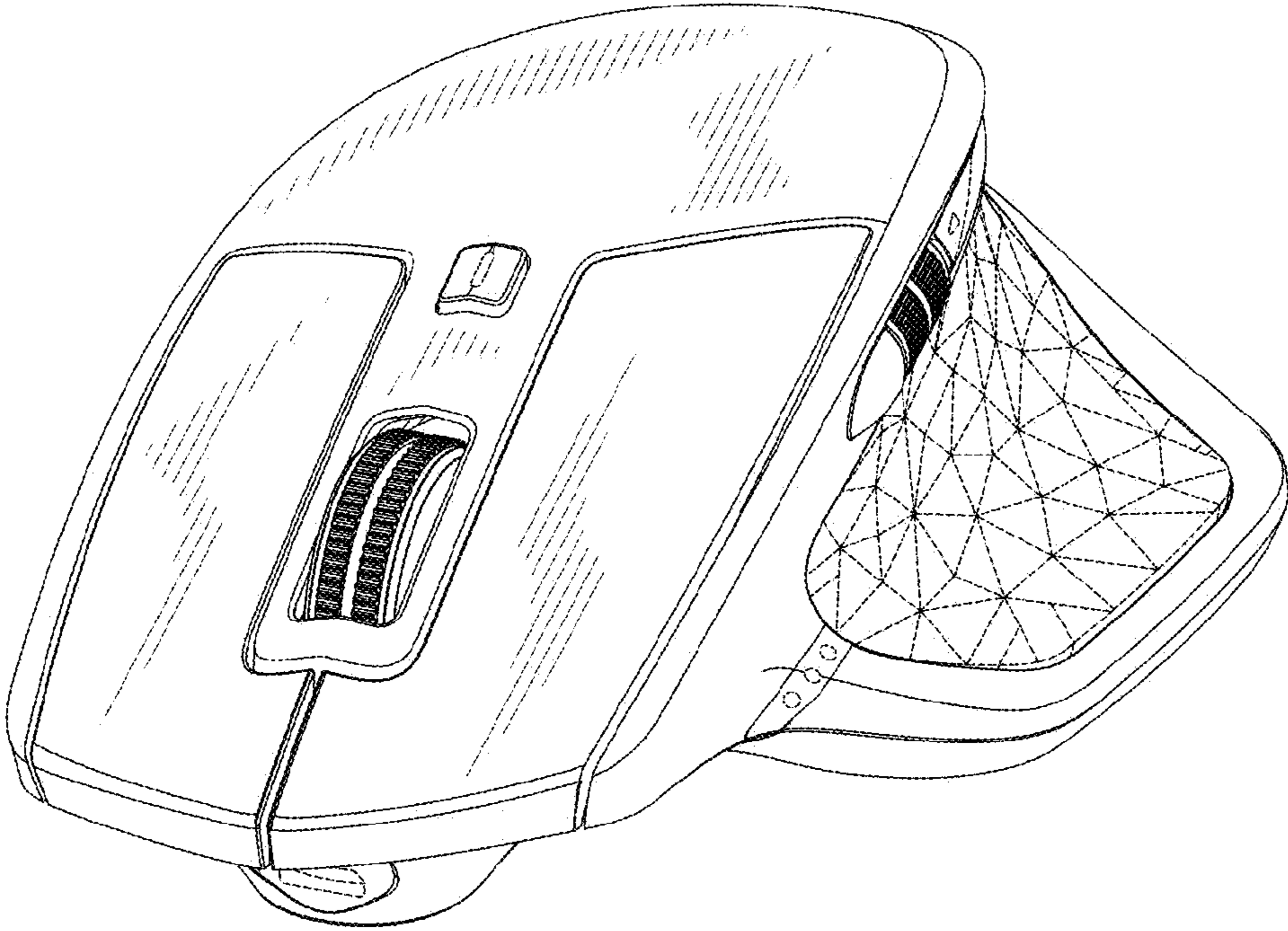


FIG. 1

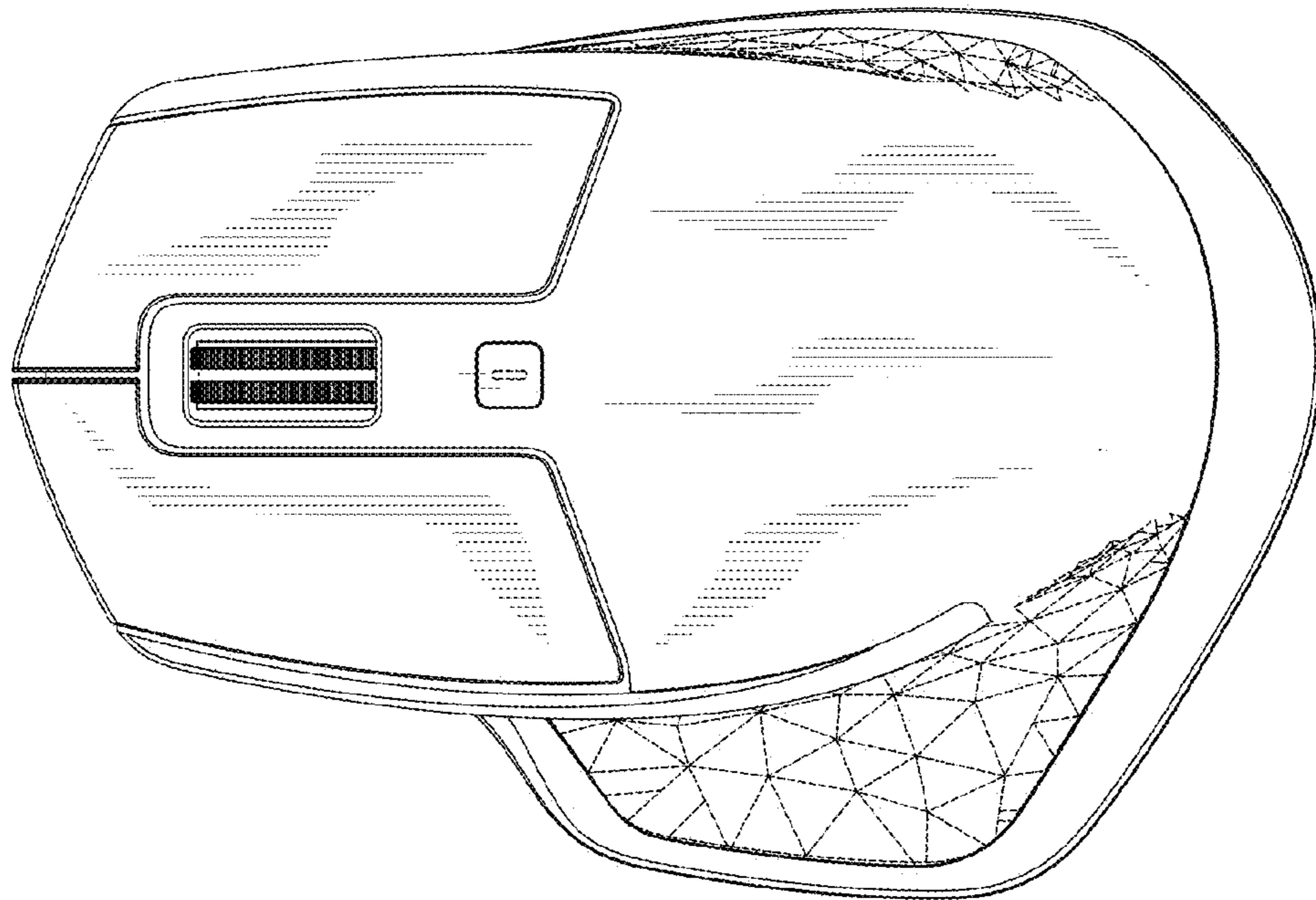


FIG. 2

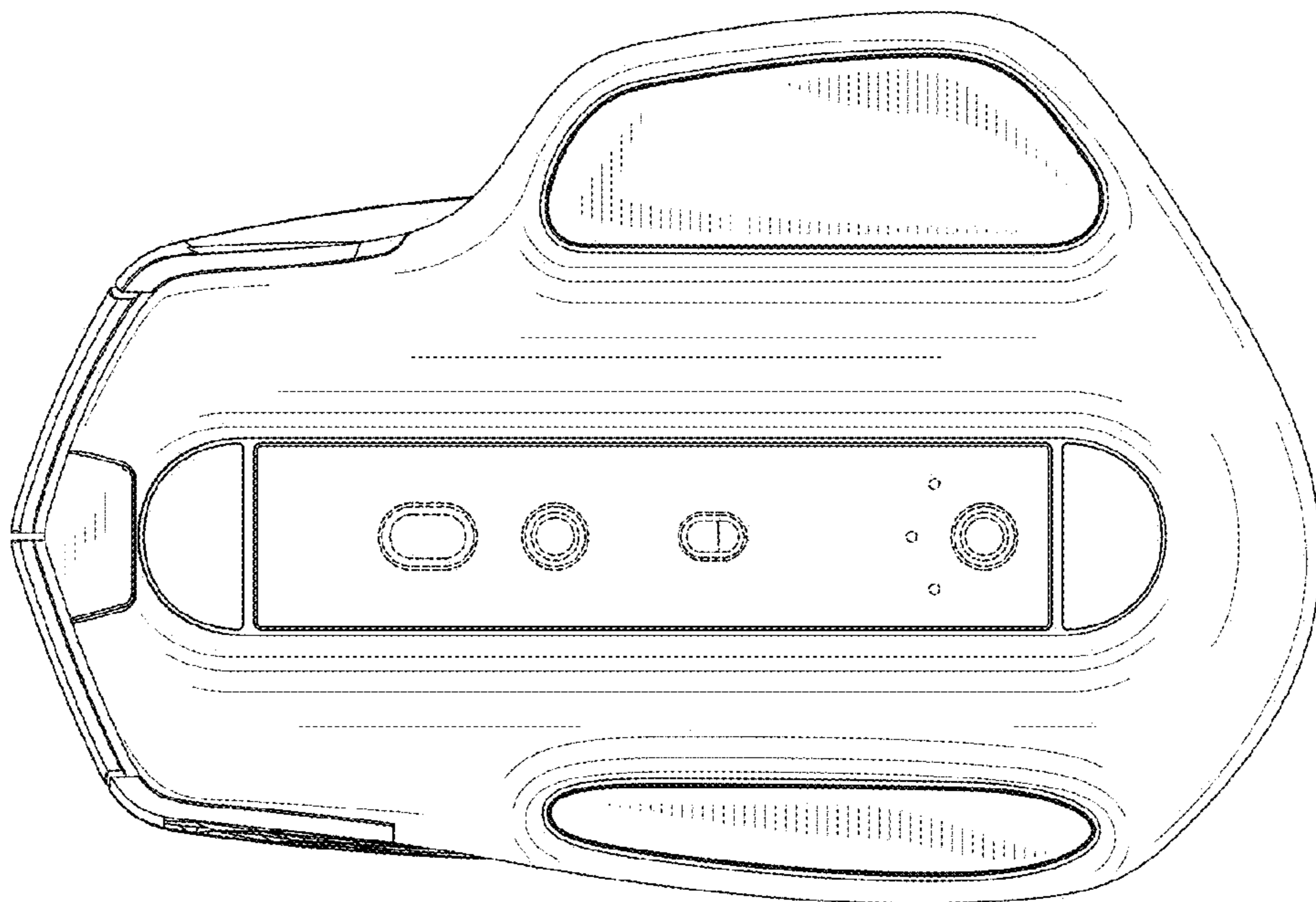


FIG. 3

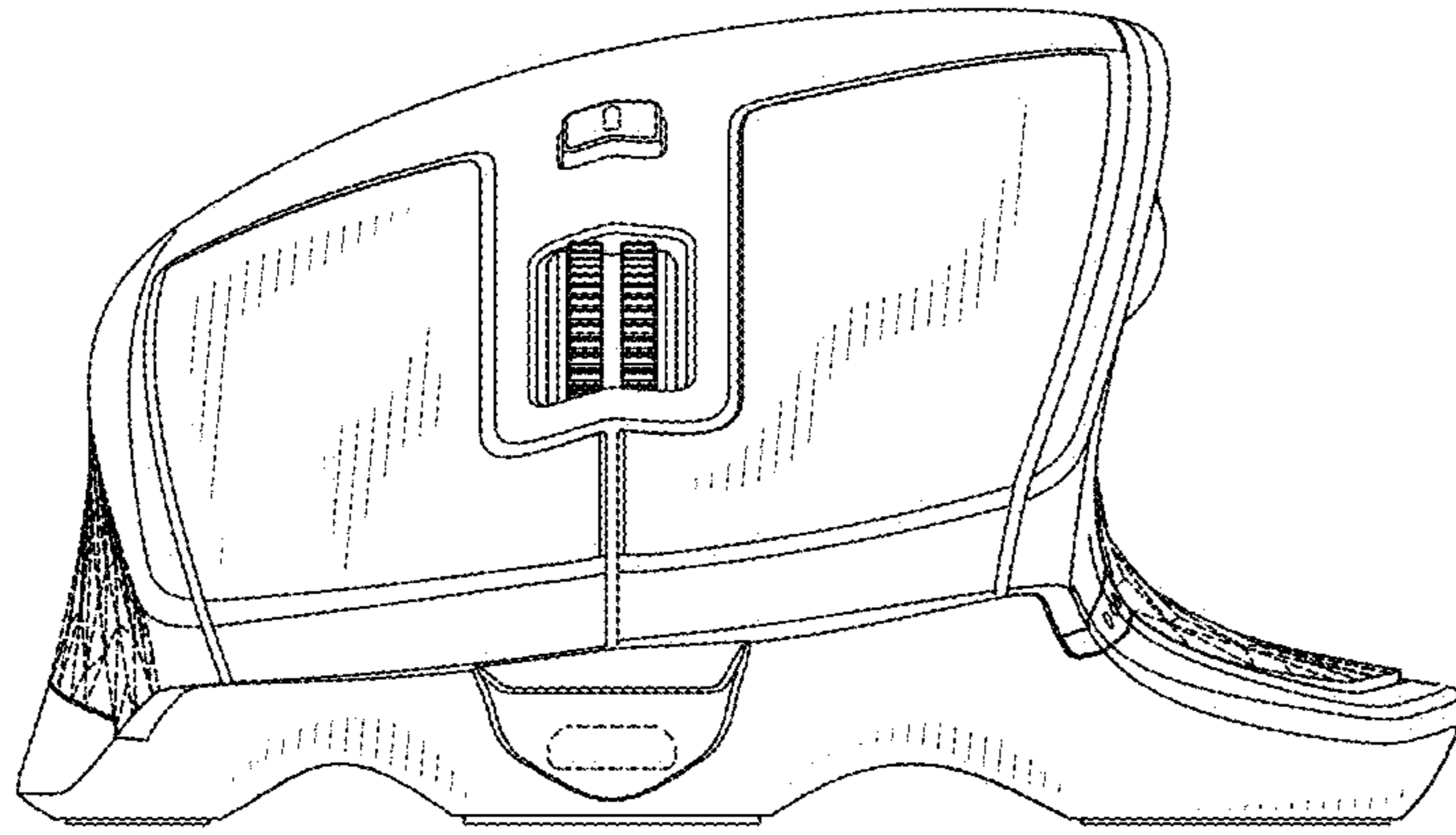


FIG. 4

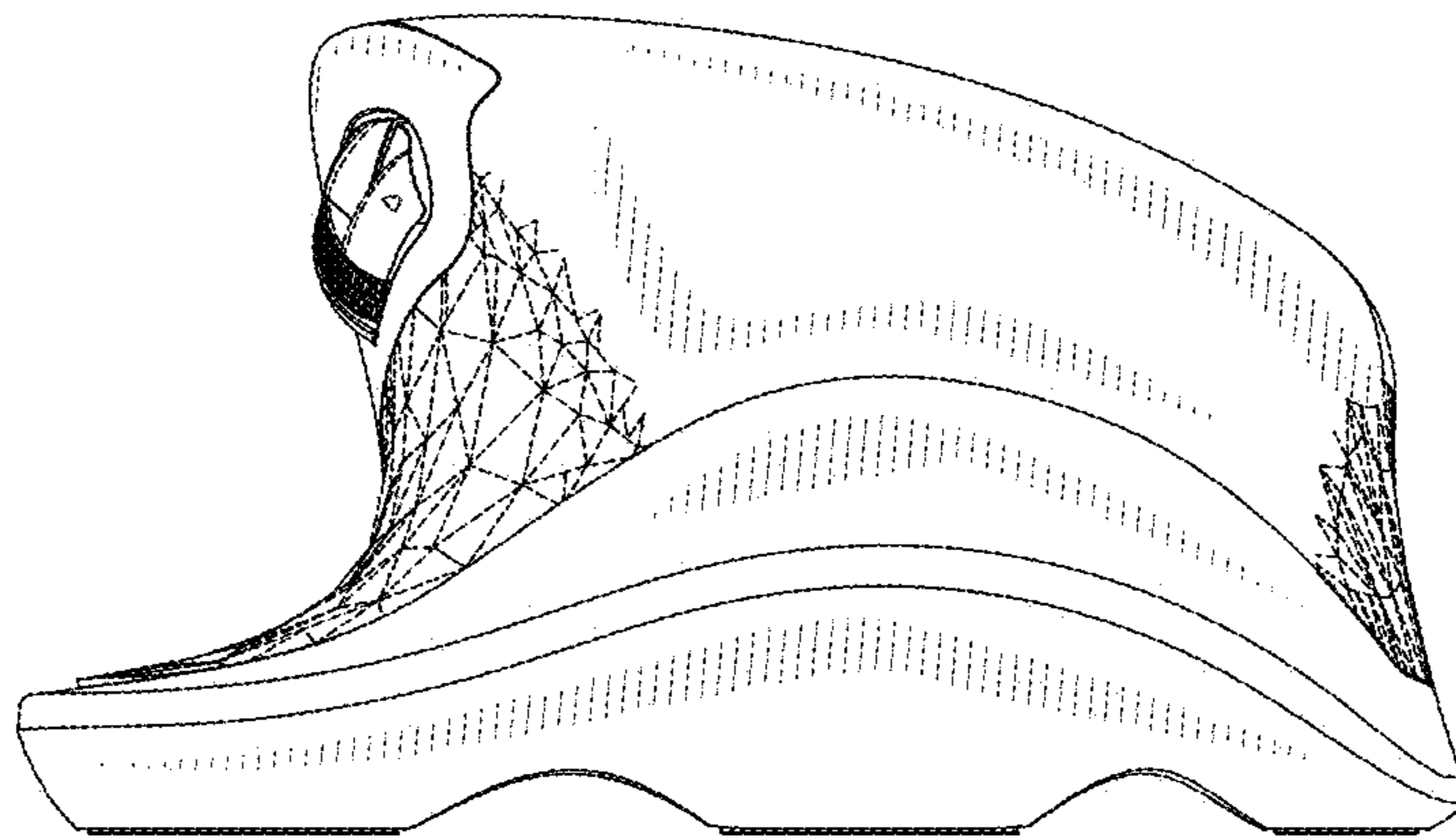


FIG. 5

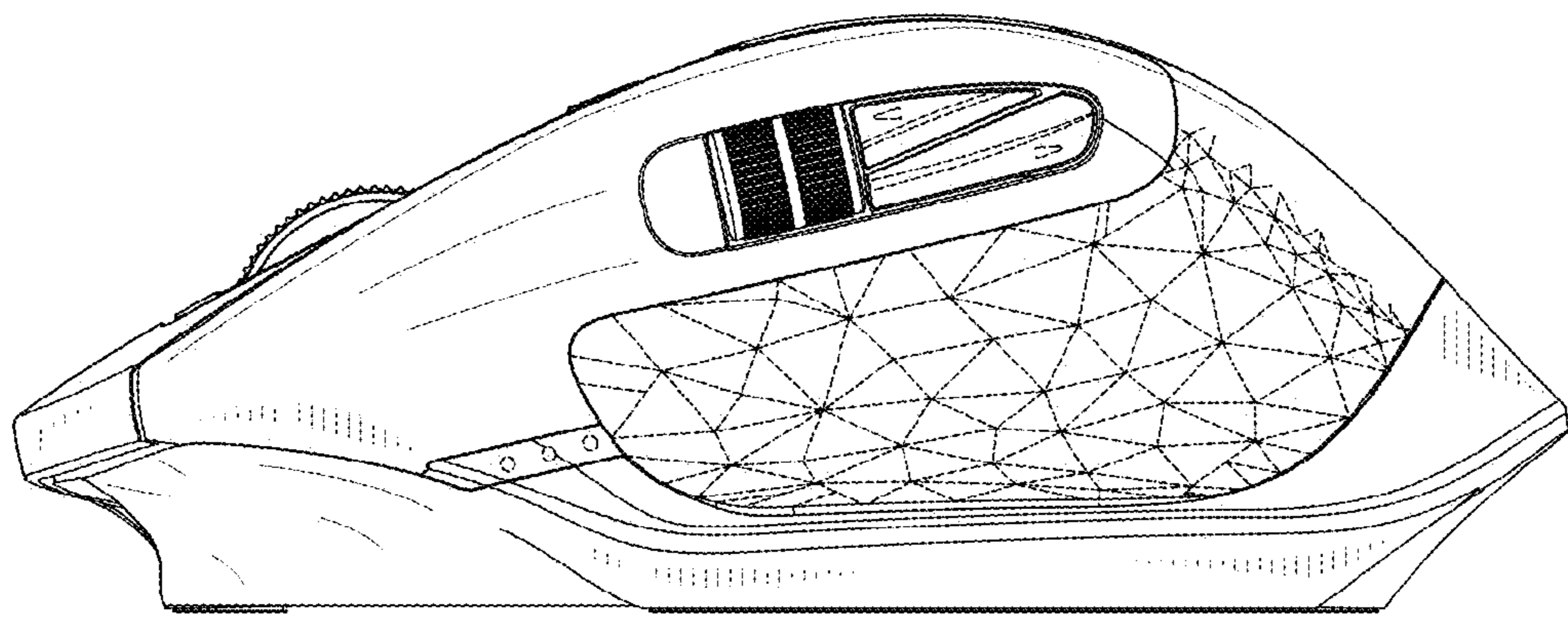


FIG. 6

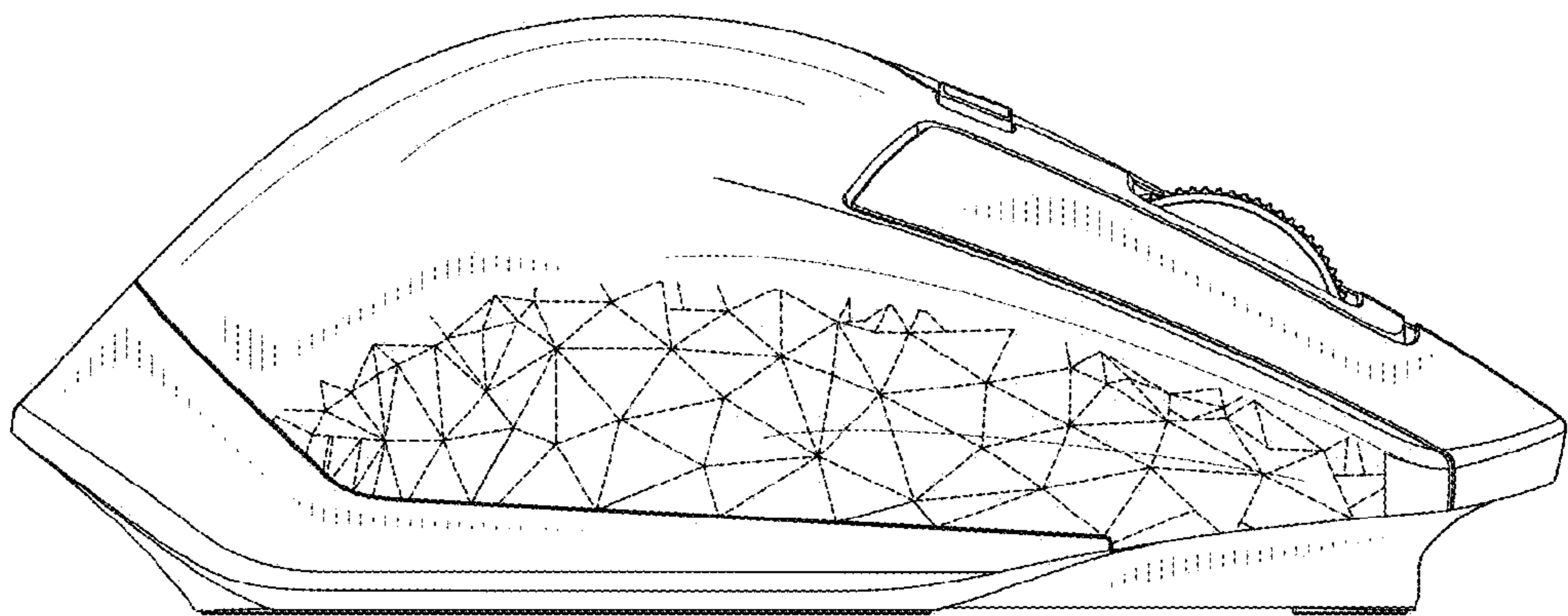


FIG. 7