



US00D742876S

(12) **United States Design Patent**
Ignomirello

(10) **Patent No.:** **US D742,876 S**

(45) **Date of Patent:** **** Nov. 10, 2015**

- (54) **RACK EQUIPMENT HANDLE**
- (71) Applicant: **Symbolic IO Corporation**, Holmdel, NJ (US)
- (72) Inventor: **Brian M. Ignomirello**, Holmdel, NJ (US)
- (73) Assignee: **SYMBOLIC IO CORPORATION**, Holmdel, NJ (US)

- D357,461 S 4/1995 Zaplatynsky et al.
- D382,880 S 8/1997 Cienkus et al.
- 6,430,351 B1 * 8/2002 Takahashi G02B 6/2551 385/137
- 6,956,745 B2 10/2005 Kerrigan et al.
- D530,052 S * 10/2006 Berti D32/53
- 7,485,510 B2 * 2/2009 Zhu H01L 29/78648 257/E21.429
- 7,515,413 B1 4/2009 Curtis
- 7,731,180 B2 6/2010 Ohnishi
- D619,108 S 7/2010 Lin
- D631,630 S * 1/2011 Berti D32/53

(**) Term: **15 Years**

(Continued)

(21) Appl. No.: **29/534,121**

FOREIGN PATENT DOCUMENTS

(22) Filed: **Jul. 27, 2015**

WO 2010138824 A2 12/2010

(51) **LOC (10) Cl.** **14-02**

OTHER PUBLICATIONS

(52) **U.S. Cl.**
USPC **D14/372**; D14/432

Hague Registration No. DM/056877, retrieved on Jul. 18, 2015 from <http://www.wipo.int/designdb/hague/en/showData.jsp?SOURCE=HAGUE&KEY=DM056877>, 3 Page.

(58) **Field of Classification Search**
USPC D14/356-358, 361, 370, 372, 385, 388, D14/432-439, 447, 458, 474, 480.1, 483, D14/484.1, 217, 239, 299; D8/349, 354, D8/395; D16/100, 330; 345/7-9; 351/158; 359/409, 819, 399, 400; 250/214 VT
CPC G02B 27/017; G02B 27/0158; G02B 27/0161; G02B 27/0181; G02B 27/0185; G02B 27/0189; G02B 2027/0178; G02C 11/10; G02C 11/00

(Continued)

Primary Examiner — Austin Murphy
(74) *Attorney, Agent, or Firm* — Maldjian Law Group LLC

See application file for complete search history.

(57) **CLAIM**
The ornamental design for a rack equipment handle, as shown and described.

(56) **References Cited**

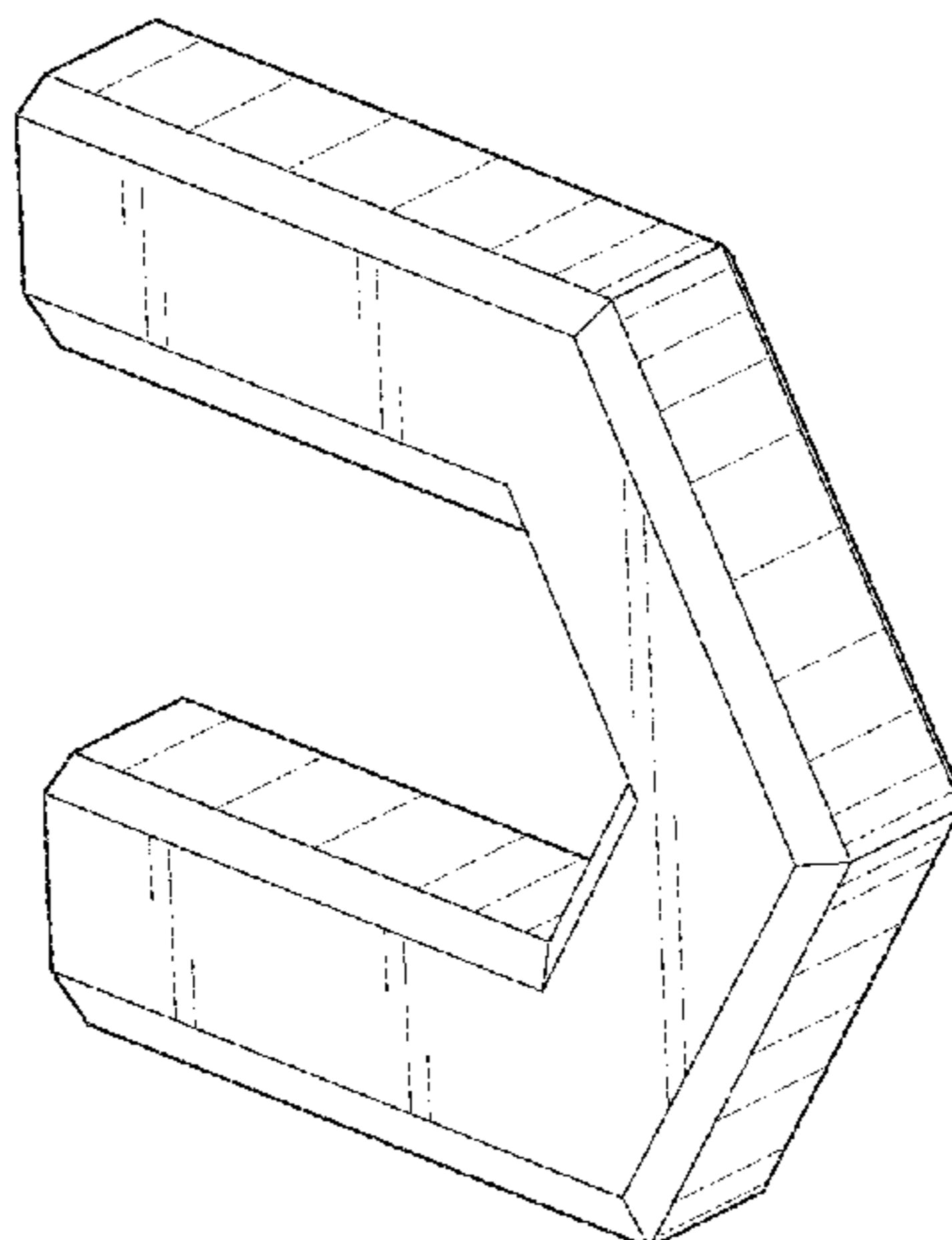
DESCRIPTION

U.S. PATENT DOCUMENTS

- 3,739,410 A * 6/1973 Fortin B63B 7/085 114/345
- 3,926,346 A * 12/1975 Dub B22D 41/13 164/337
- D264,844 S 6/1982 Tuck
- D319,765 S * 9/1991 McCord, Jr. D8/70
- 5,168,171 A 12/1992 Tracewell
- D341,866 S * 11/1993 Ross D21/803
- D353,182 S * 12/1994 Rubin D22/106

FIG. 1 is a perspective view of a handle showing my new design;
FIG. 2 is a front plan view thereof;
FIG. 3 is a rear plan view thereof;
FIG. 4 is a left plan view thereof;
FIG. 5 is a right plan view thereof;
FIG. 6 is a top plan view thereof; and,
FIG. 7 is a bottom plan view thereof.

1 Claim, 4 Drawing Sheets



(56)

References Cited

U.S. PATENT DOCUMENTS

8,322,040	B2	12/2012	Jimenez	
8,570,738	B2	10/2013	Fan et al.	
D705,836	S *	5/2014	Huschka D16/101
8,717,764	B2	5/2014	Sun	
D731,010	S *	6/2015	Levitt D21/681
2014/0211423	A1	7/2014	Nguyen et al.	
2015/0084270	A1	3/2015	Lo et al.	

OTHER PUBLICATIONS

Cisco, "10 Gigabit Ethernet Switching for High-Performance, Rack-Optimized Server Switching", retrieved on Jul. 18, 2015 from http://www.cisco.com/c/en/us/products/collateral/switches/catalyst-4900-series-switches/product_data_sheet0900aecd80246552.html, 14 Pages.

Highly Reliable Systems, "RAIDFrame DAS 5000", retrieved on Jul. 18, 2015 from <https://www.high-rely.com/products/raidframe5bay/>, 1 Page.

Ebay, "Dell PowerEdge M610 Server 2XQUAD Core 2.8GHz/X5560 64GB 2X300GB Raid Rails", retrieved on Jul. 18, 2015 from <http://www.ebay.ca/itm/271899179228?rmvSB=true>, 3Pages.

EZ-PC, "Infrastructure and Networking", retrieved on Jul. 18, 2015 from <http://www.ez-pc.org/services/infrastructure>, 3 Pages.

Alibaba, "new arrival fashion design zinc alloy metal U shape handle for leather of bag accessories qifeng f-994", retrieved on Jul. 18, 2015

from http://www.alibaba.com/product-detail/new-arrival-fashion-design-zinc-alloy_1402892576.html?smToken=f4543babcb5440fda870ba4c2a621f1c&smSign=2q%2Bp5jXRBjWkFnOu62%2Fy%2Fw%3D%3D, 1 Page.

Ebay, "Vintage VGC Chrome Chevron Boomerang Drawer Cabinet Door Pulls Washington", retrieved on Jul. 18, 2015 from http://www.ebay.com/itm/Vintage-VGC-CHROME-Chevron-Boomerang-DRAWER-Cabinet-Door-Pulls-Washington/200818869564?_trksid=p2047675.c100005.m1851&_trkparms=aid%3D222007%26algo%3DSIC.MBE%26ao%3D1%26asc%3D32298%26meid%3D3280c5c9af794a00afd5a1a69fc33f59%26pid%3D, 1 Page.

Mactech, "NES Cartridge External Hard Drive", retrieved on Jul. 18, 2015 from <http://www.mactech.com/category/type-article/macmod-web-site/miscellaneous-mods>, 2 Pages.

Dell, "Installing Enclosure Components", retrieved on Jul. 18, 2015 from http://ftp.respmech.com/pub/MD3000/en/MD3000_Owners_Manual/install.htm, 11 Pages.

IDOTPC, "BR-0804 4pc/set Rackmount Half-1U Joint Plate Kit", retrieved on Jul. 18, 2015 from <http://www.idotpc.com/thestore/pc/BR-0804-4pc-set-Rackmount-Half-1U-Joint-Plate-Kit-p1343.htm>, 1 Page.

Colo Advisor, "High Density Colocation—Planning Pays Off", retrieved on Jul. 18, 2015 from <http://www.coloadvisor.com/blog/high-density-colocation-planning-pays-off/>, 5 Pages.

* cited by examiner

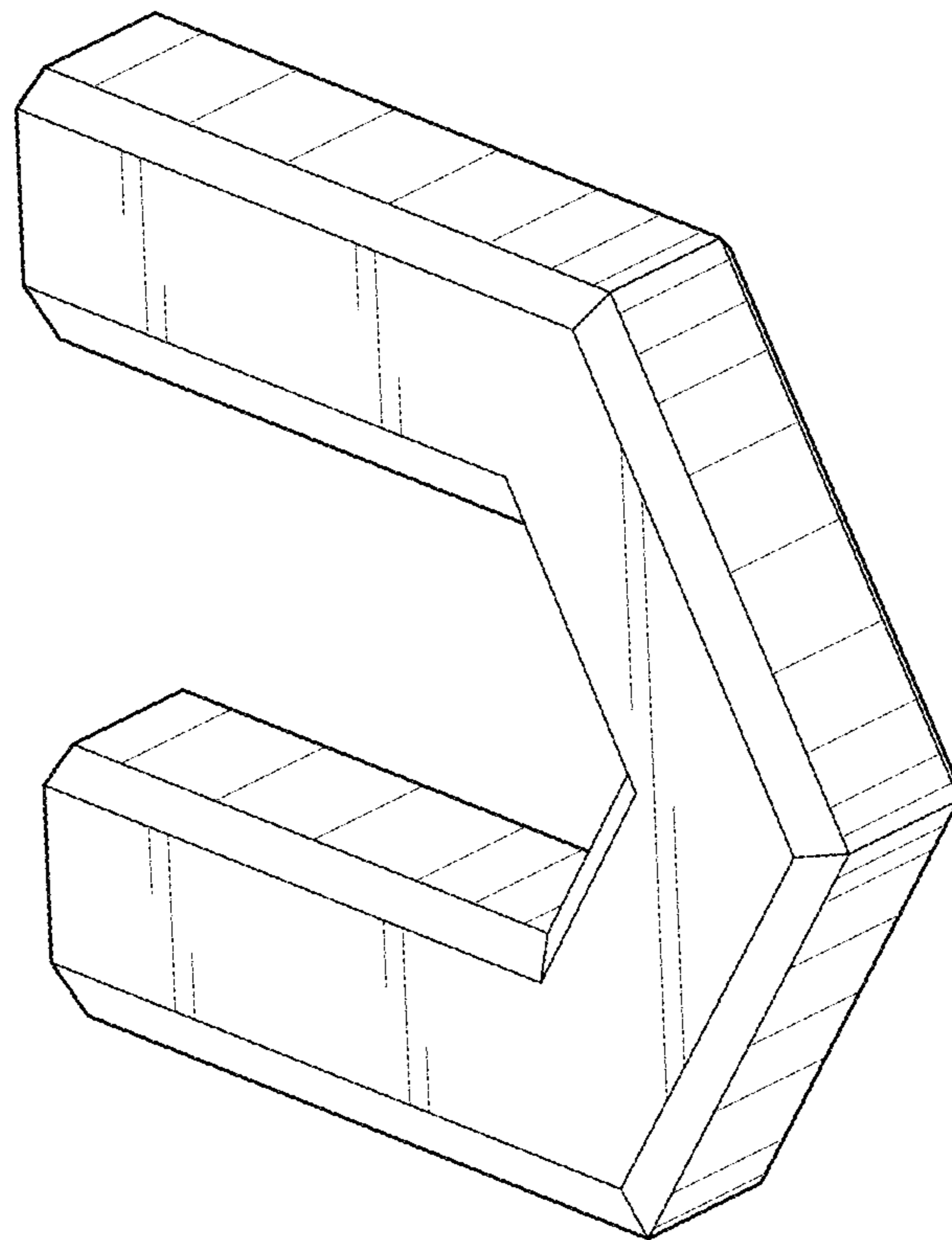


FIG. 1

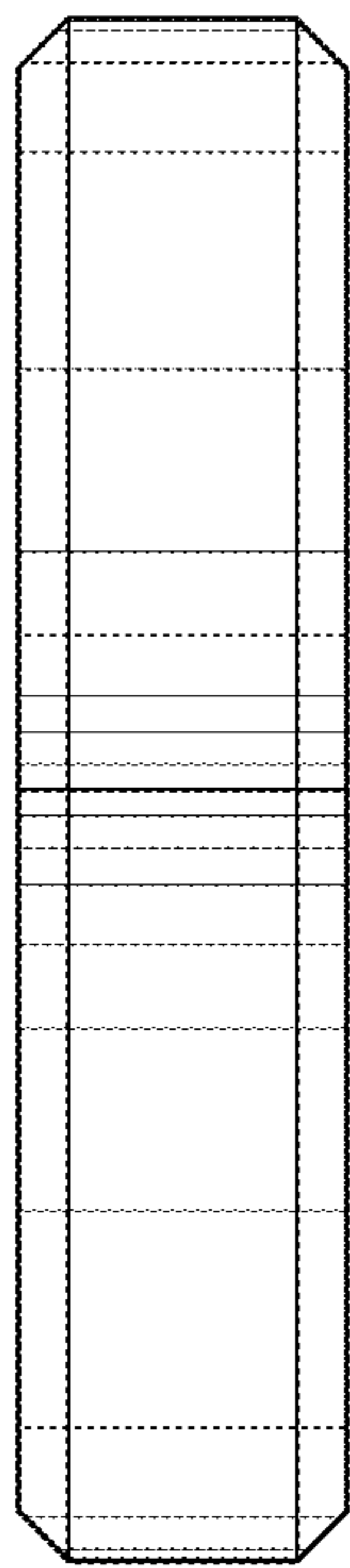


FIG. 2

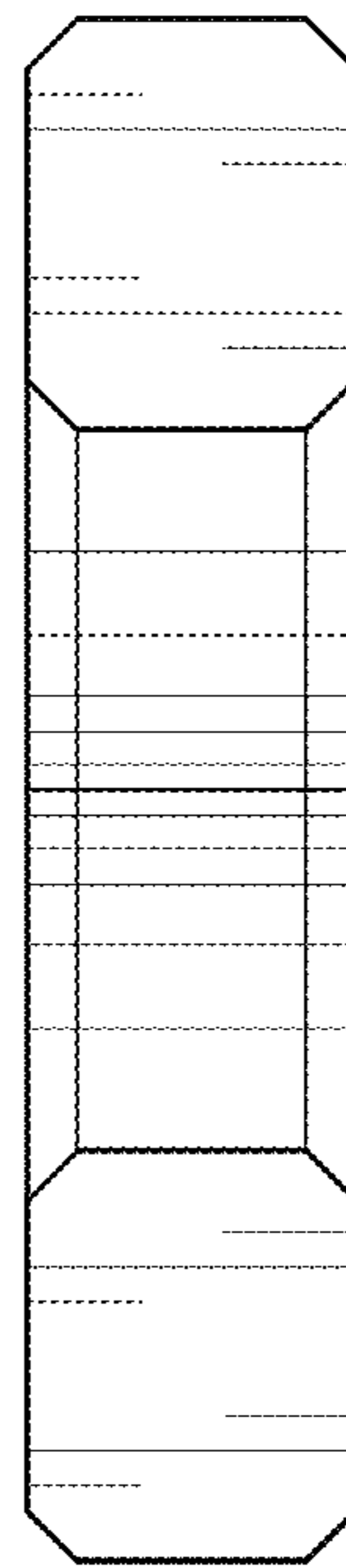


FIG. 3

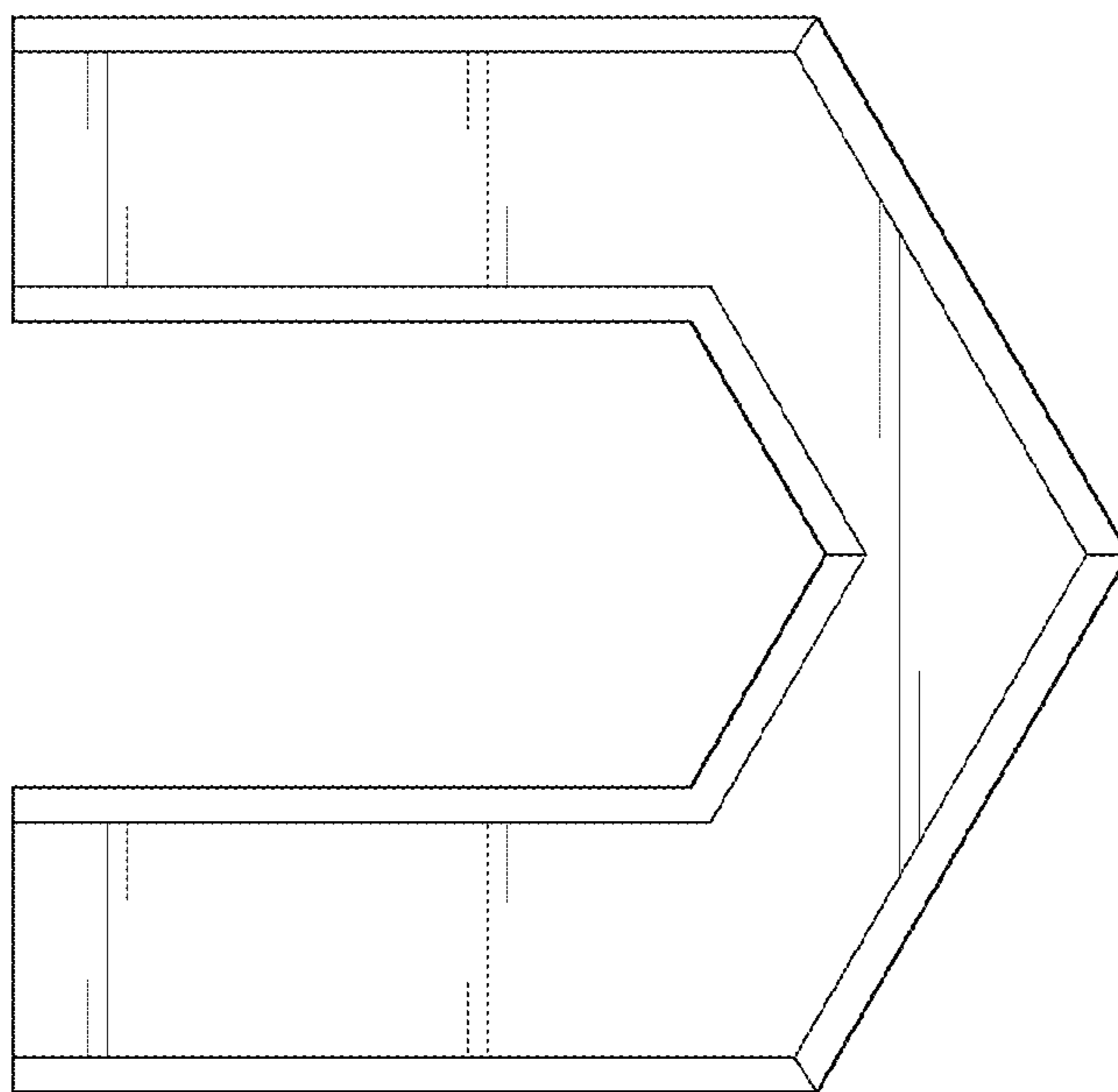


FIG. 4

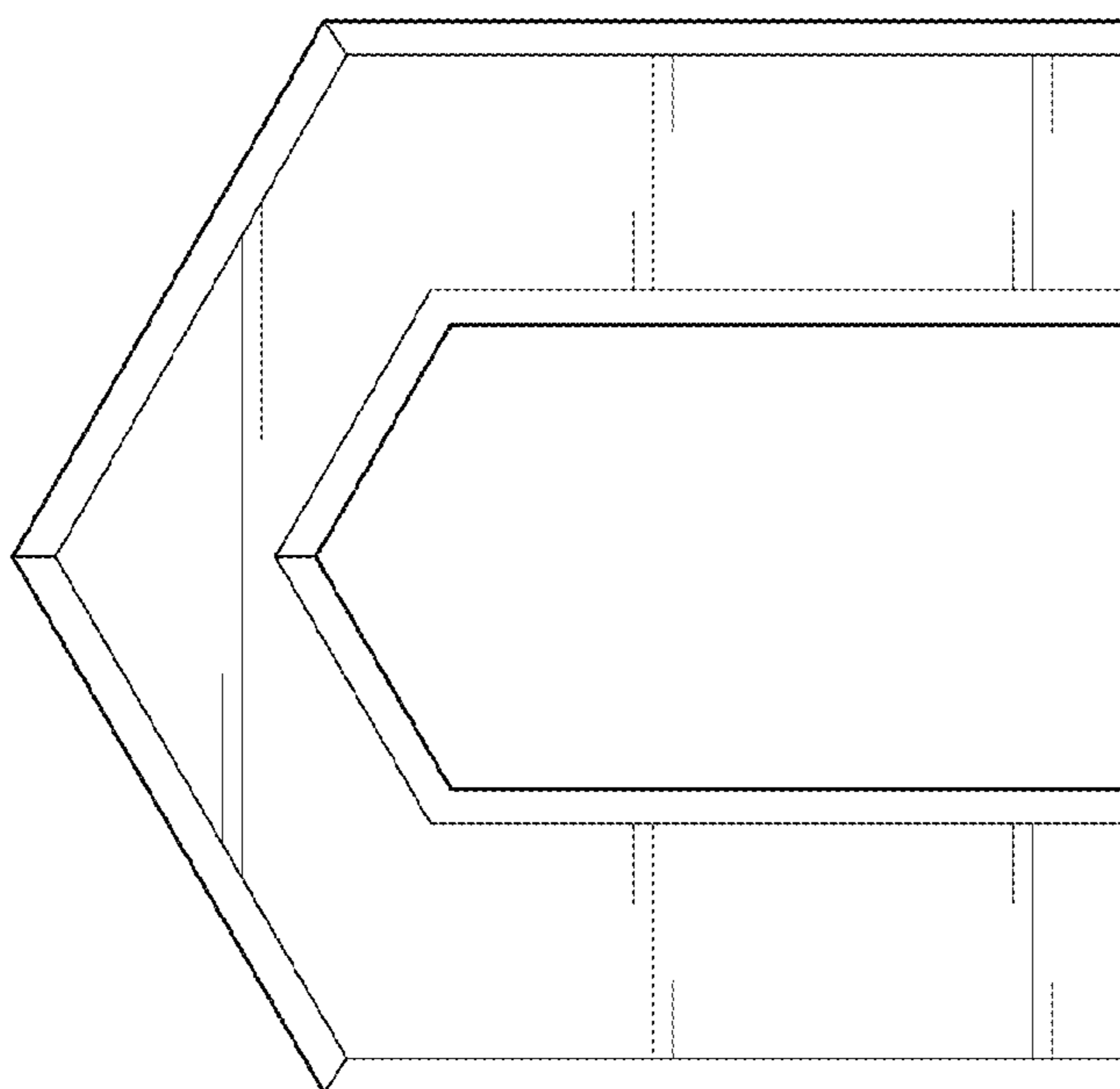


FIG. 5

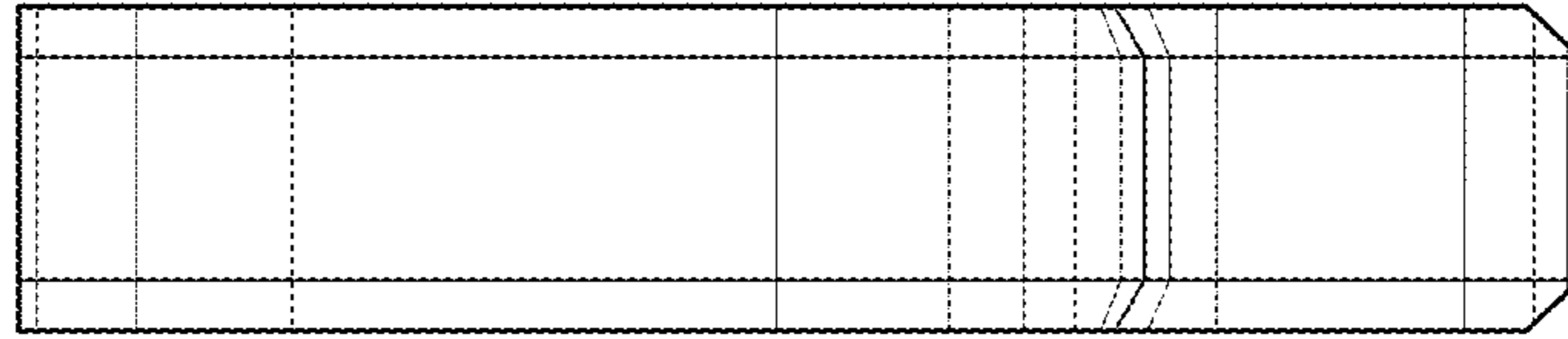


FIG. 6

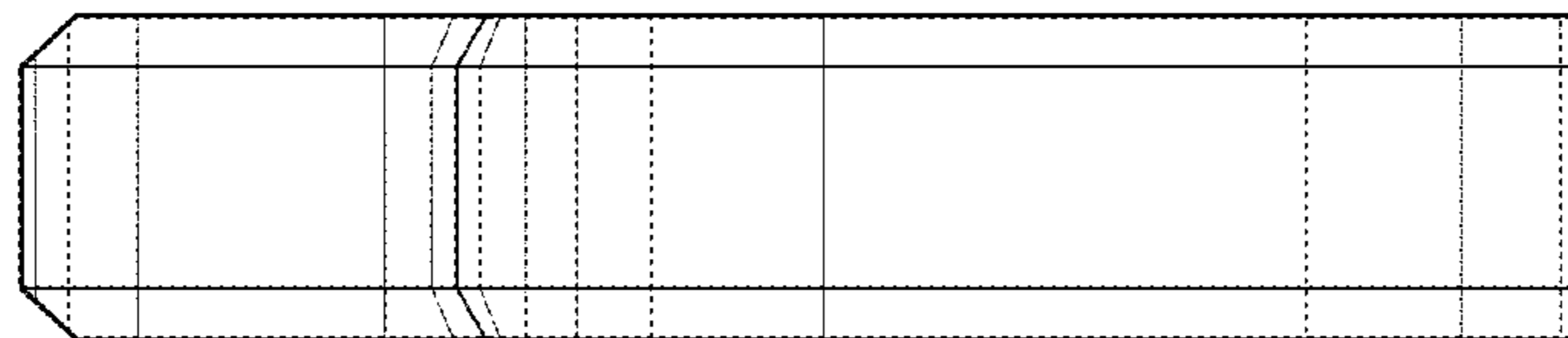


FIG. 7