



US00D742875S

(12) **United States Design Patent**
Ji et al.

(10) **Patent No.:** **US D742,875 S**

(45) **Date of Patent:** **** Nov. 10, 2015**

(54) **MOBILE PHONE**

(71) Applicant: **LG Electronics Inc.**, Seoul (KR)

(72) Inventors: **Seunghyun Ji**, Seoul (KR); **Hyunwoo Yoo**, Seoul (KR)

(73) Assignee: **LG Electronics Inc.**, Seoul (KR)

(**) Term: **14 Years**

(21) Appl. No.: **29/497,521**

(22) Filed: **Jul. 25, 2014**

(30) **Foreign Application Priority Data**

Jan. 27, 2014 (KR) 30-2014-0004447

(51) **LOC (10) Cl.** **14-02**

(52) **U.S. Cl.**
USPC **D14/344**; D14/138 R; D14/144;
D10/32

(58) **Field of Classification Search**
USPC D14/140, 137, 138 R, 138 AB, 139, 144,
D14/155, 167, 191, 192, 203.1, 203.3,
D14/203.4, 203.5, 203.7, 248, 226, 218,
D14/240, 344, 440, 341, 346, 448, 450,
D14/496; D10/30-32, 37-39, 65, 70, 77,
D10/78, 98, 104.1, 104.2, 125; D11/3-5,
D11/12, 19, 25; D13/168; D3/215;
D15/199; 381/364, 151; 379/433.1;
455/575.1, 575.3, 575.4, 575.6, 556.1,
455/556.2, 558, 90.3; 368/10, 13, 69, 223,
368/281, 282, 294, 295, 296; D21/329,
D21/513; D24/167, 186
CPC H04B 1/03; H04B 1/385; G04G 9/00;
G04G 17/00; G04G 17/04; G04G 17/06;
G04G 17/083; H04M 1/0227; H04M 1/03;
H04M 1/04

See application file for complete search history.

(56) **References Cited**

U.S. PATENT DOCUMENTS

D297,312	S	*	8/1988	Ishizaka	D10/32
D449,008	S	*	10/2001	Sargent	D10/32
D466,488	S	*	12/2002	Wada et al.	D14/138 R
6,564,075	B1	*	5/2003	Mitamura	455/575.1
D543,192	S	*	5/2007	Jung	D14/138 R
D596,610	S	*	7/2009	Hou	D14/144
D599,108	S	*	9/2009	Brandenburg	D3/218
7,828,697	B1	*	11/2010	Oberrieder et al.	482/8
D637,918	S	*	5/2011	Cobbett et al.	D10/31
D651,115	S	*	12/2011	Willows et al.	D11/3
D660,726	S	*	5/2012	Register et al.	D10/38
D673,953	S	*	1/2013	Li et al.	D14/411
D693,251	S	*	11/2013	Anderssen et al.	D10/70
D709,476	S	*	7/2014	Park et al.	D14/138 R
D709,873	S	*	7/2014	Aumiller et al.	D14/344
D715,668	S	*	10/2014	Roush et al.	D10/98
D718,169	S	*	11/2014	Birnbaum	D11/3
D718,647	S	*	12/2014	Roush et al.	D10/98
D720,074	S	*	12/2014	Suvilaakso et al.	D24/167

(Continued)

Primary Examiner — Susan Bennett Hattan

Assistant Examiner — Marie Fast Horse

(74) *Attorney, Agent, or Firm* — Morgan, Lewis & Bockius LLP

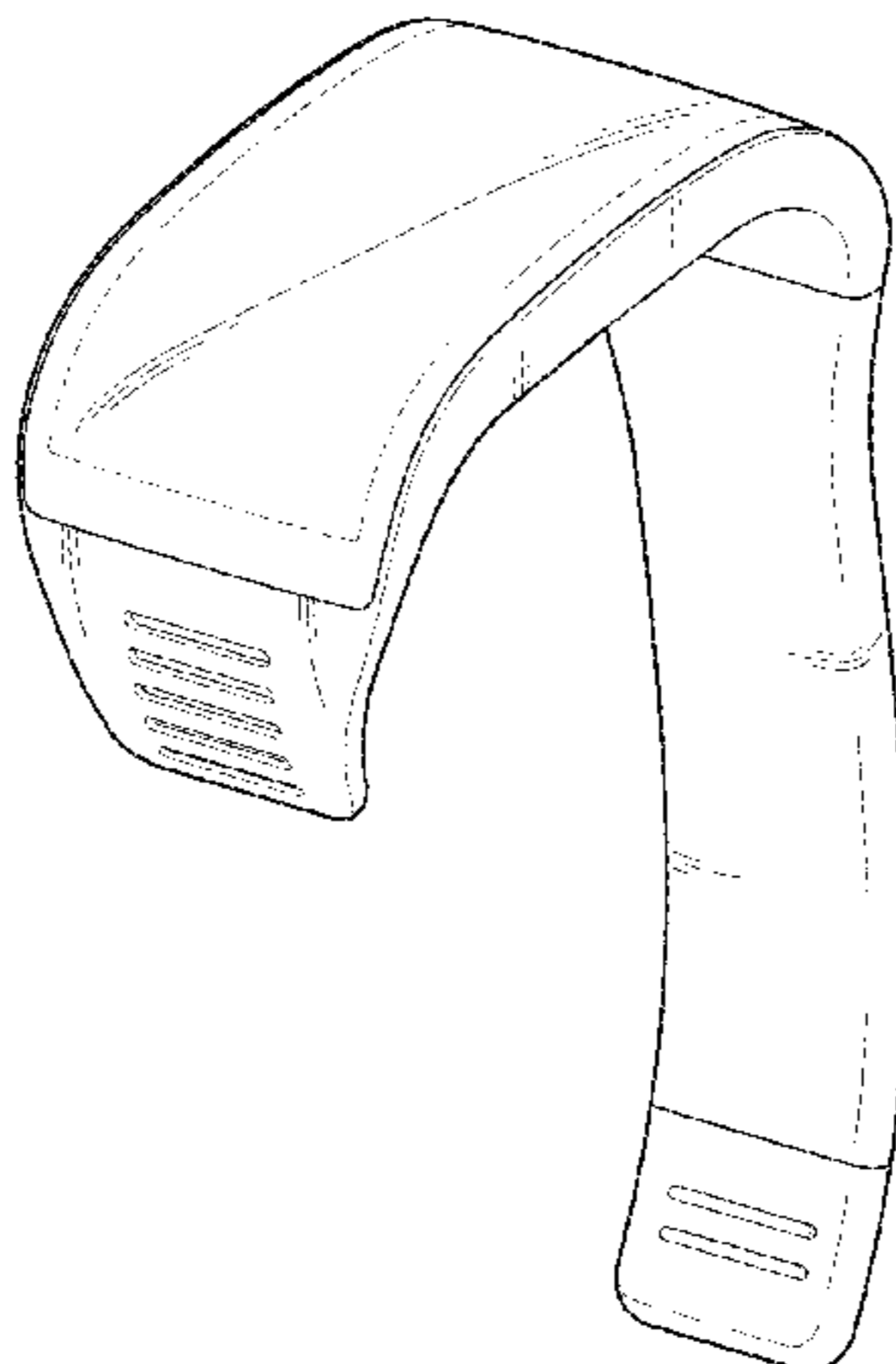
(57) **CLAIM**

The ornamental design for a mobile phone, as shown and described.

DESCRIPTION

FIG. 1 is a perspective view of a mobile phone showing our new design;
FIG. 2 is a front view thereof;
FIG. 3 is a rear view thereof;
FIG. 4 is a left side view thereof where the right side view is a mirror image;
FIG. 5 is a top plan view thereof; and,
FIG. 6 is a bottom plan view thereof.
The broken lines depict parts of the mobile phone that form no part of the claimed design.

1 Claim, 5 Drawing Sheets



(56)

References Cited

U.S. PATENT DOCUMENTS

D720,249 S *	12/2014	Park et al.	D11/3	D727,183 S *	4/2015	Park et al.	D10/70
D720,635 S *	1/2015	Park et al.	D10/98	D727,759 S *	4/2015	Martinez et al.	D10/70
D721,292 S *	1/2015	Choi et al.	D10/98	D729,080 S *	5/2015	Wolos et al.	D10/70
D724,556 S *	3/2015	Choi et al.	D14/138 R	D730,209 S *	5/2015	Wolos et al.	D10/70
D725,068 S *	3/2015	Cho et al.	D14/138 R	2002/0103014 A1 *	8/2002	Hutchison et al.	455/575
					2006/0202618 A1 *	9/2006	Ishii et al.	313/513
					2006/0203621 A1 *	9/2006	Brodmann	368/281
					2012/0168471 A1 *	7/2012	Wilson	224/152

* cited by examiner

FIG. 1

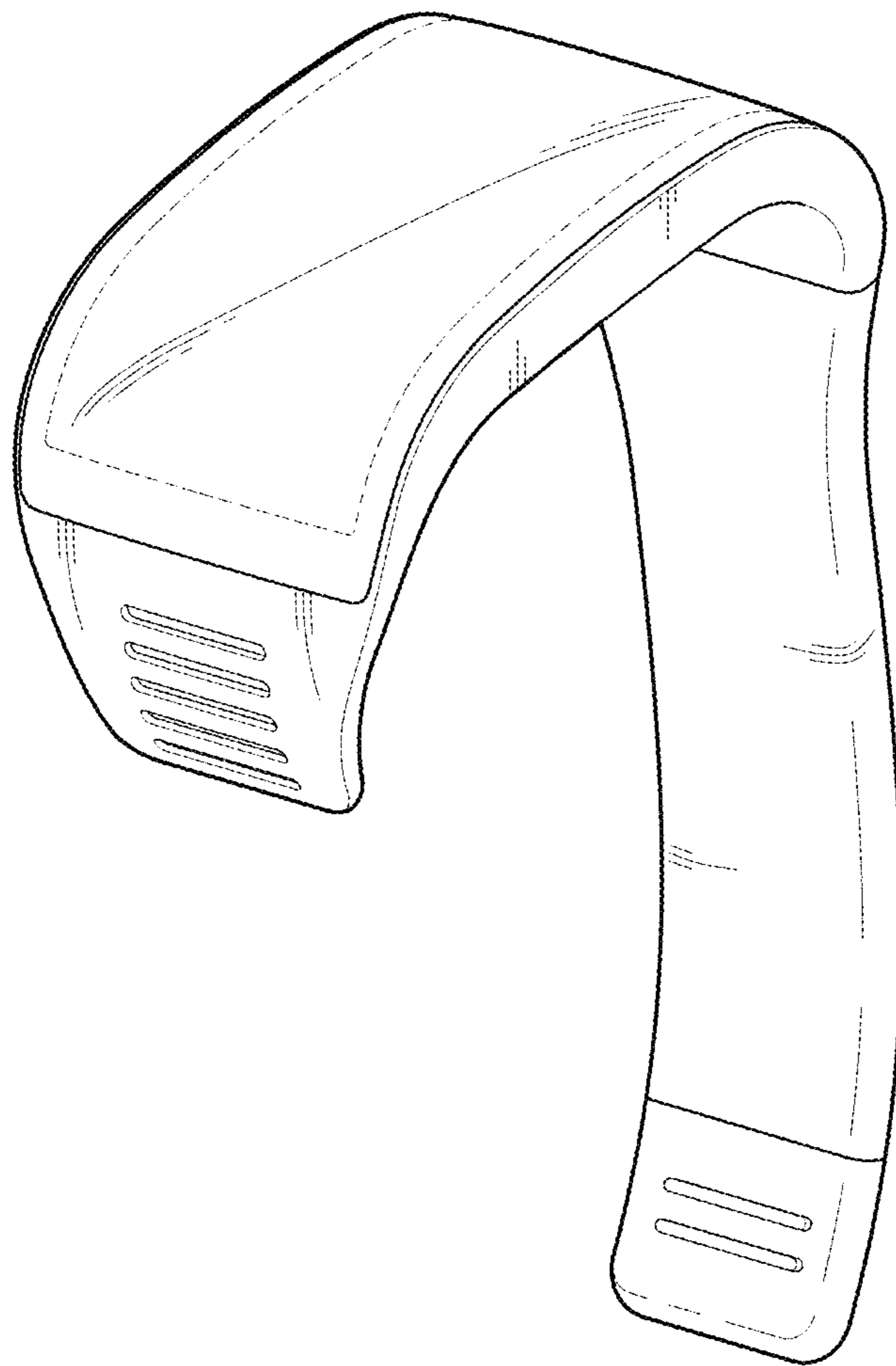


FIG. 2

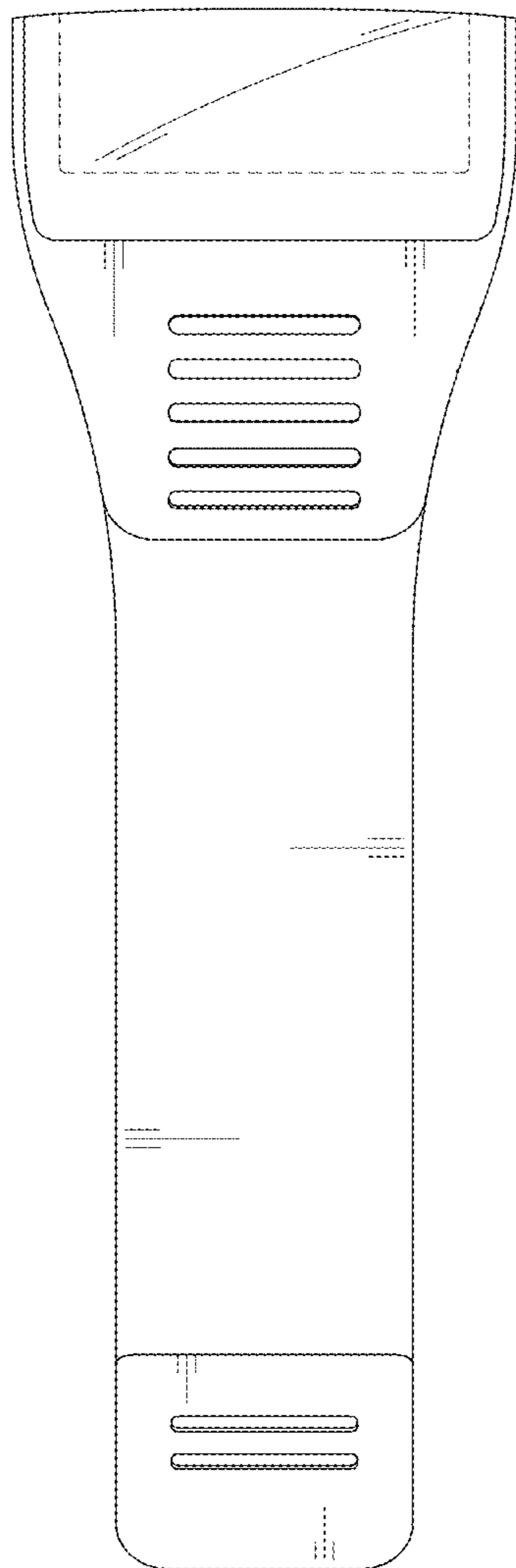


FIG. 3

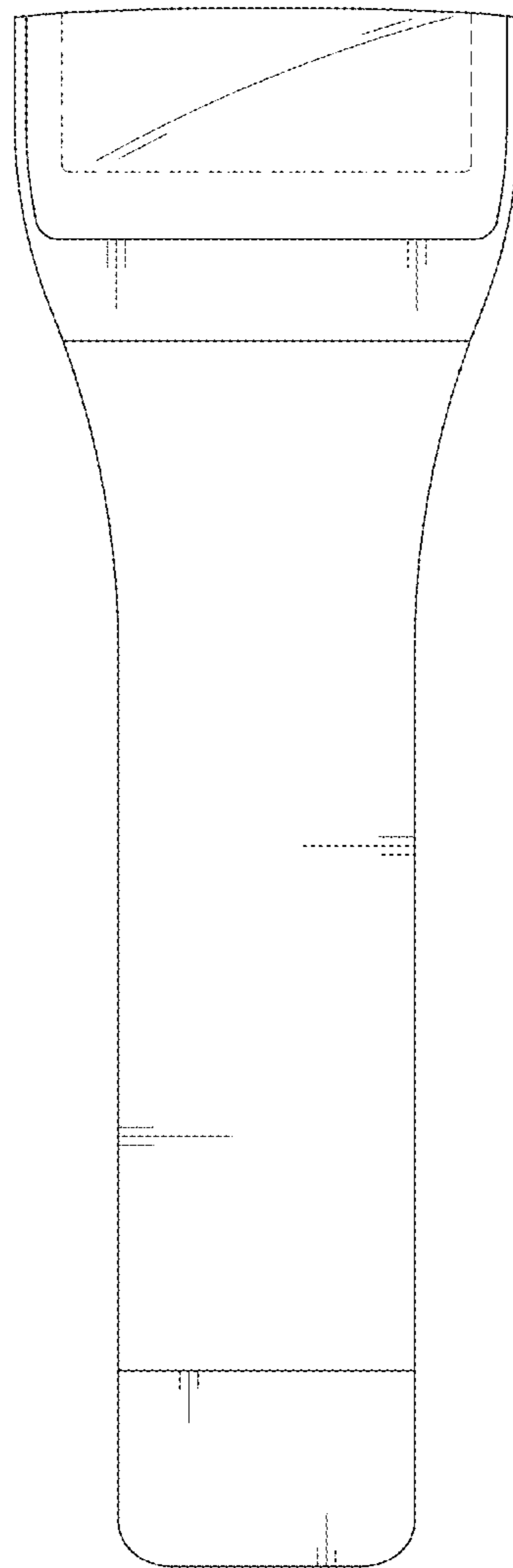


FIG. 4

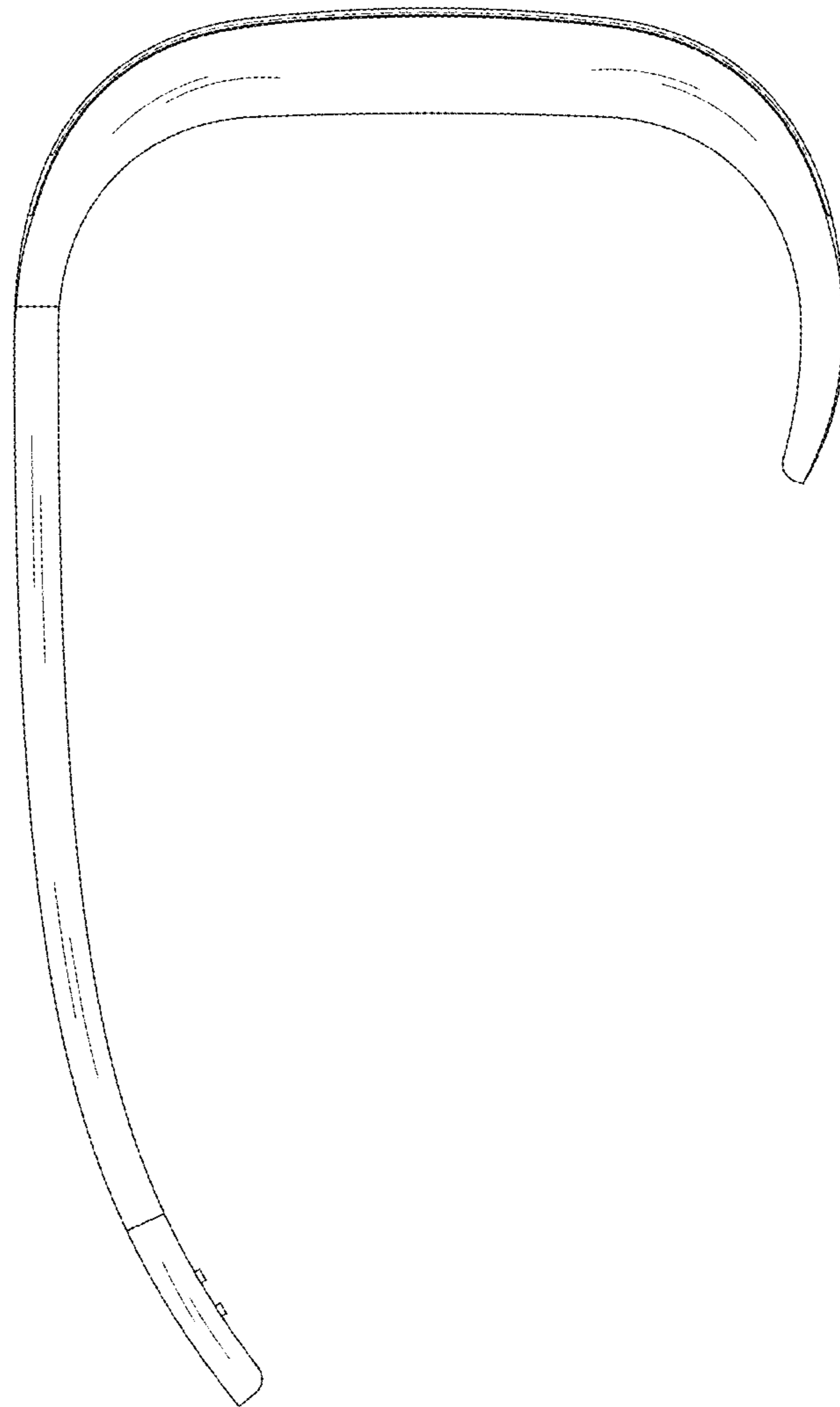


FIG. 5

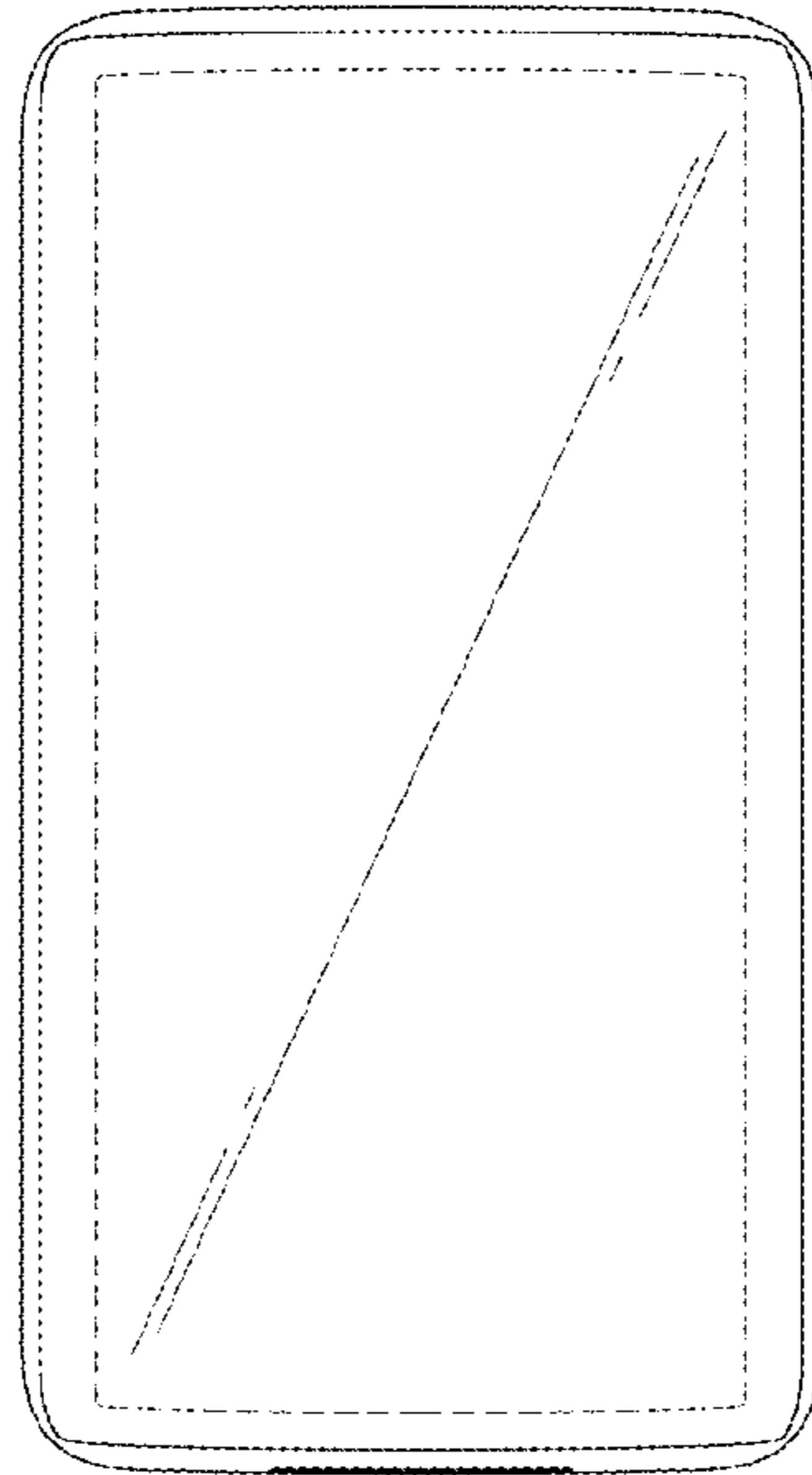


FIG. 6

