



US00D742873S

(12) **United States Design Patent**  
**Ahn et al.**

(10) **Patent No.:** **US D742,873 S**

(45) **Date of Patent:** **\*\* Nov. 10, 2015**

(54) **TABLET COMPUTER**

(71) Applicant: **Samsung Electronics Co., Ltd.**,  
Suwon-si (KR)

(72) Inventors: **Dae Kyung Ahn**, Namyangjusi (KR);  
**Chui-Yong Cho**, Seoul (KR); **Sangmin Hyun**, Seoul (KR); **Eun Vit Chung**,  
Seoul (KR)

(73) Assignee: **Samsung Electronics Co., Ltd.**,  
Suwon-si (KR)

(\*\*) Term: **14 Years**

(21) Appl. No.: **29/472,119**

(22) Filed: **Nov. 8, 2013**

(30) **Foreign Application Priority Data**

May 10, 2013 (KR) ..... 30-2013-0024843

(51) **LOC (10) Cl.** ..... **14-02**

(52) **U.S. Cl.**  
USPC ..... **D14/341; D14/345**

(58) **Field of Classification Search**  
USPC ..... D14/341-347, 137, 138 R, 138 AA,  
D14/138 C, 138 G, 496, 203.1, 203.3, 203.4,  
D14/203.7, 129, 130, 147, 218, 247, 248,  
D14/250, 374, 371, 385, 388, 389, 315-318,  
D14/420, 426, 439; D6/308, 310; D10/65,  
D10/104.1; D19/26, 59, 60; D21/324, 329,  
D21/330, 332; 248/917-924; 463/37;  
455/556.1, 556.2, 566, 575.1, 90.3;  
379/433.04, 433.01, 433.06, 916;  
345/173, 901, 905; 348/376;  
361/679.26, 679.27, 679.3, 679.55,  
361/679.56, 679.59, 679.21  
CPC ... G06F 1/1613; G06F 1/1624; G06F 1/1626;  
G06F 1/165; G06F 3/0485; G06F 3/0488;  
H04M 1/0202; H04M 1/0279; H04M 1/0281;  
H04M 1/0283; H04M 1/0214; H04M 1/0264;  
H04M 1/72544; H04M 1/72552

See application file for complete search history.

(56) **References Cited**

U.S. PATENT DOCUMENTS

D428,004	S	*	7/2000	Colvin	.....	D14/345
D507,567	S	*	7/2005	Yonekawa et al.	.....	D14/345
D517,545	S	*	3/2006	Buckel et al.	.....	D14/345
D584,726	S	*	1/2009	Morita	.....	D14/341
D588,126	S	*	3/2009	Chiang et al.	.....	D14/345
D618,683	S	*	6/2010	Wilson et al.	.....	D14/371
D626,124	S	*	10/2010	Chyan et al.	.....	D14/341
D631,043	S	*	1/2011	Kell	.....	D14/341
D639,806	S	*	6/2011	Lee et al.	.....	D14/345
D644,219	S	*	8/2011	Sawada	.....	D14/345

(Continued)

*Primary Examiner* — Eric Goodman

*Assistant Examiner* — Clese Moore, Jr.

(74) *Attorney, Agent, or Firm* — NSIP Law

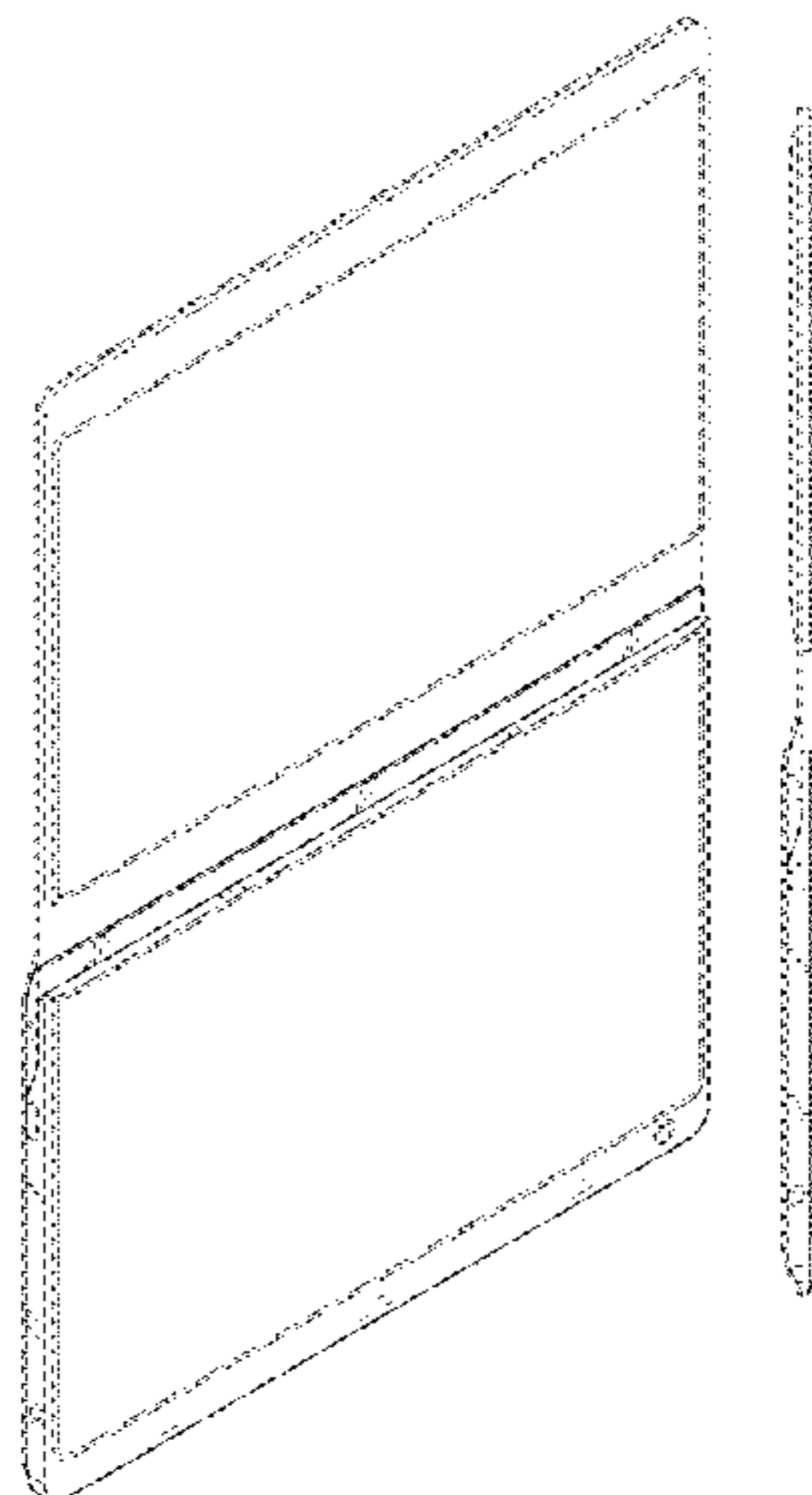
(57) **CLAIM**

The ornamental design for a tablet computer, as shown and described.

**DESCRIPTION**

FIG. 1 is a front perspective view of a tablet computer showing our new design;  
FIG. 2 is a front view thereof;  
FIG. 3 is a rear view thereof;  
FIG. 4 is a left-side view thereof;  
FIG. 5 is a right-side view thereof;  
FIG. 6 is a top view thereof;  
FIG. 7 is a bottom view thereof;  
FIG. 8 is a front perspective view, in which the tablet computer is provided in a connected position to illustrate an example environment; and,  
FIG. 9 is a left-side view, in which the tablet computer is provided in a closed position to illustrate an example environment.  
The broken lines shown in the drawings illustrate portions of the tablet computer that form no part of the claimed design.

**1 Claim, 8 Drawing Sheets**



(56)

**References Cited**

U.S. PATENT DOCUMENTS

D650,780 S *	12/2011	Rashid et al. ....	D14/341	D685,781 S *	7/2013	Adams .....	D14/315
D650,781 S *	12/2011	Rashid et al. ....	D14/341	D696,253 S *	12/2013	Akana et al. ....	D14/345
D658,173 S *	4/2012	Kim .....	D14/345	D696,254 S *	12/2013	Groene et al. ....	D14/345
D680,531 S *	4/2013	Honda et al. ....	D14/345	D709,067 S *	7/2014	Ahn et al. ....	D14/345
D680,532 S *	4/2013	Reeves et al. ....	D14/345	D709,492 S *	7/2014	Ahn et al. ....	D14/345
D680,533 S *	4/2013	Song et al. ....	D14/345	D709,493 S *	7/2014	Ahn et al. ....	D14/345
D681,633 S *	5/2013	Reeves et al. ....	D14/345	D709,494 S *	7/2014	Ahn et al. ....	D14/345
				D710,354 S *	8/2014	Ahn et al. ....	D14/345
				D712,900 S *	9/2014	Miki et al. ....	D14/345
				2010/0177047 A1 *	7/2010	Brenneman et al. ....	345/173

\* cited by examiner

FIG. 1

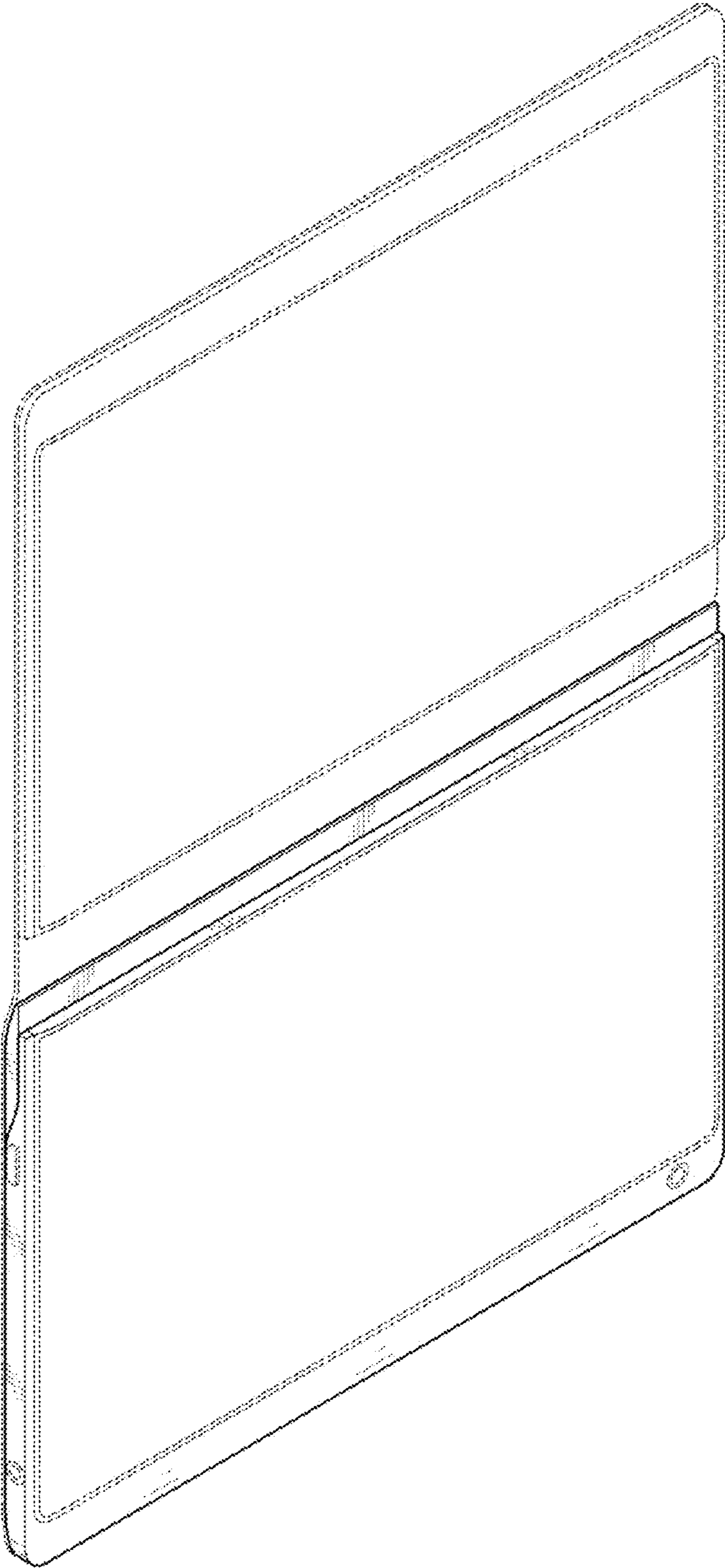


FIG. 2

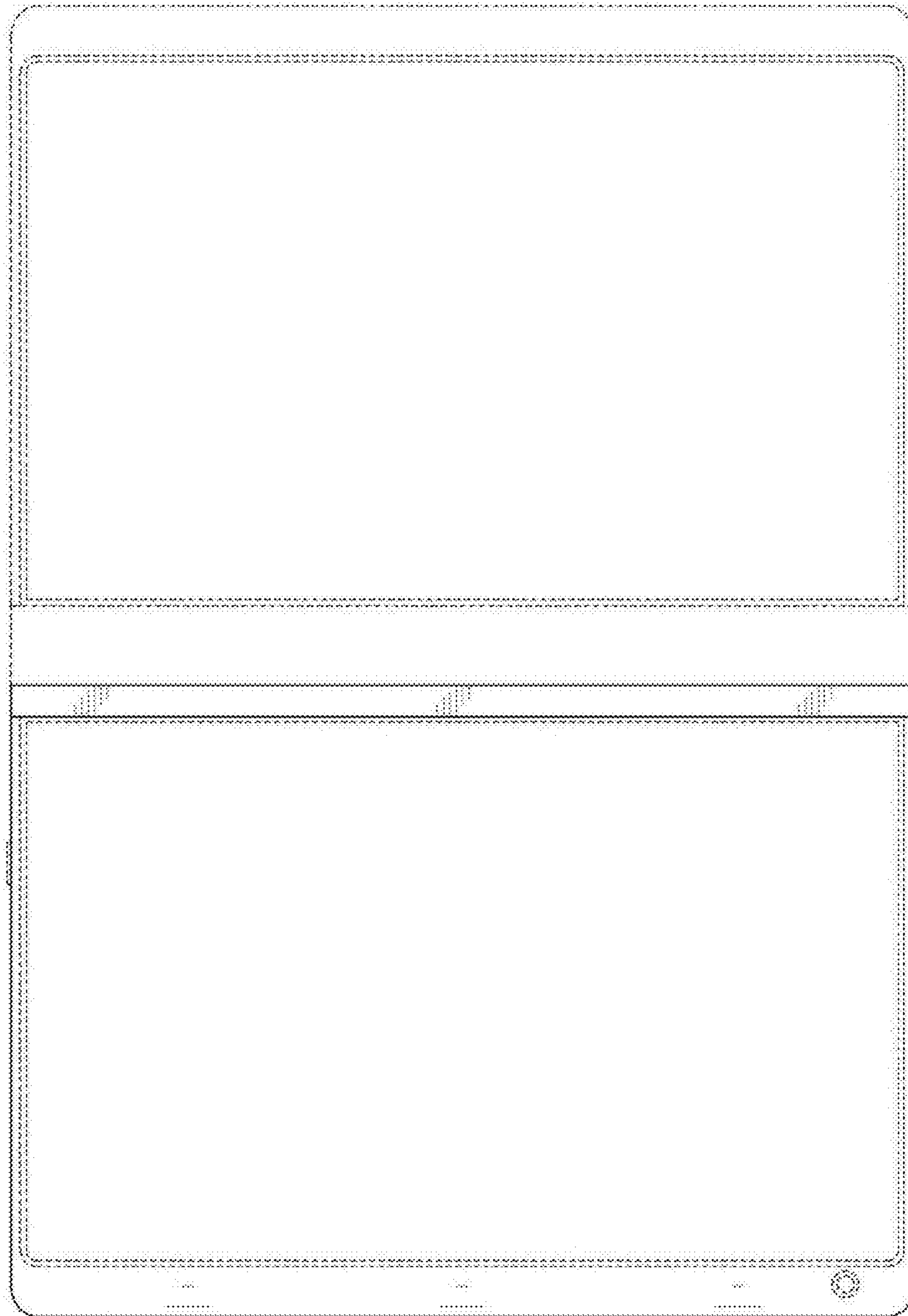


FIG. 3

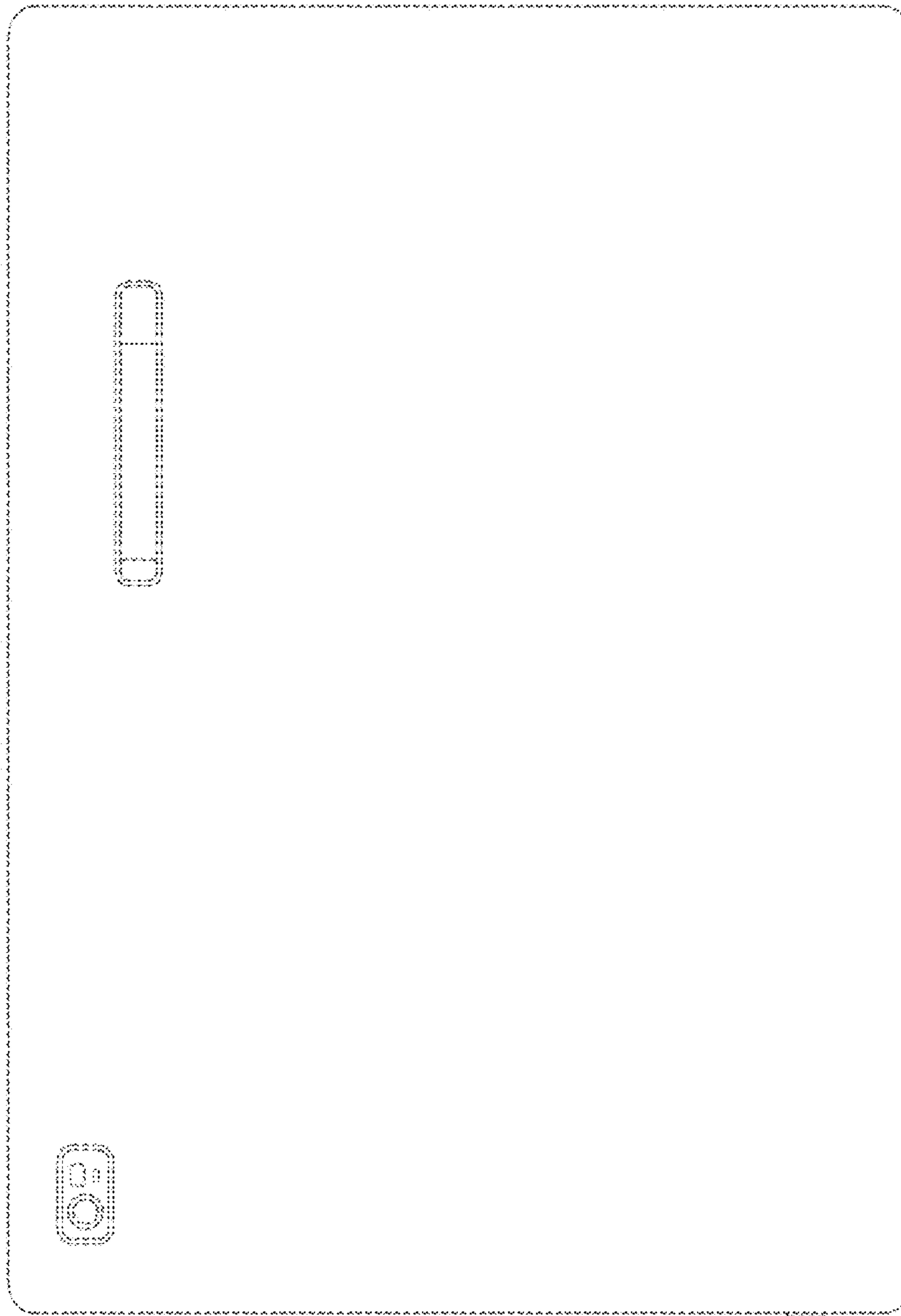
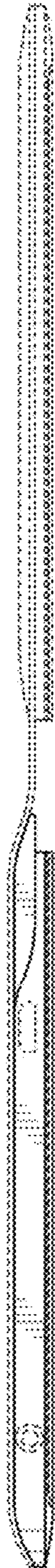
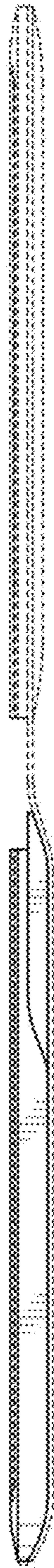


FIG. 4



**FIG. 5**



**FIG. 6**



**FIG. 7**

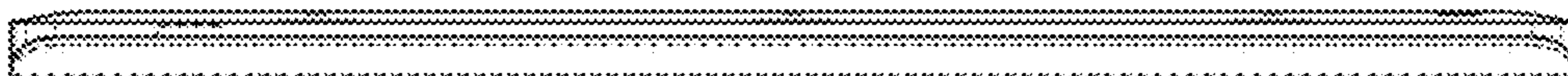
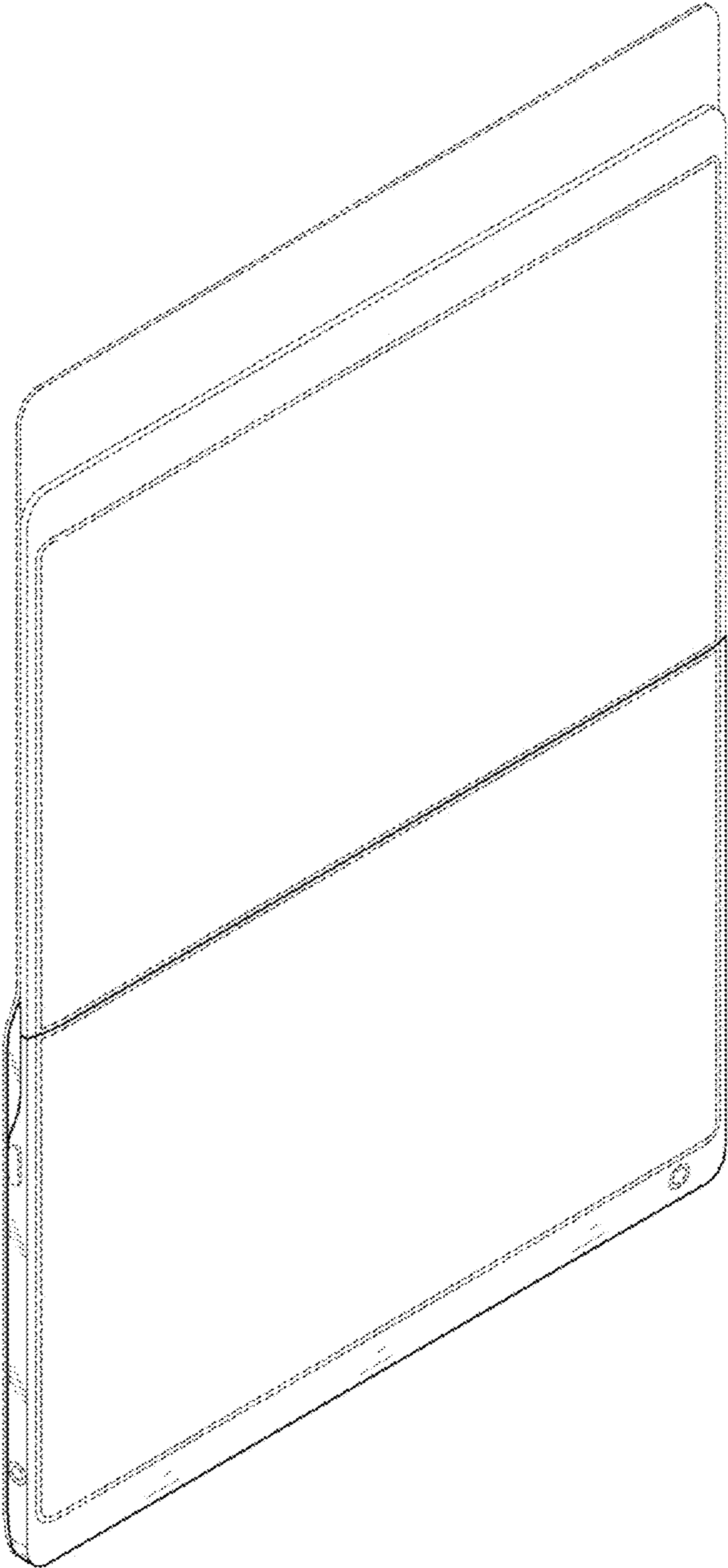




FIG. 8



**FIG. 9**

