



US00D742870S

(12) **United States Design Patent**
Berini

(10) **Patent No.:** **US D742,870 S**

(45) **Date of Patent:** **** Nov. 10, 2015**

- (54) **KIOSK**
- (71) Applicant: **NextGenID, Inc.**, San Antonio, TX (US)
- (72) Inventor: **Dario John Berini**, Ashburn, VA (US)
- (73) Assignee: **NextgenID, Inc.**, San Antonio, TX (US)
- (**) Term: **14 Years**
- (21) Appl. No.: **29/487,791**
- (22) Filed: **Apr. 11, 2014**

7,278,026 B2 10/2007 McGowan 713/186
 D573,986 S * 7/2008 Sasaki et al. D14/307
 D590,387 S * 4/2009 Chen D14/307

(Continued)

FOREIGN PATENT DOCUMENTS

EP 1744264 1/2007 G06K 9/00

OTHER PUBLICATIONS

“CBES Multimodal Biometric Enrollment Station,” 3M Cogent, Inc.
 [online], [retrieved on Dec. 11, 2012]. Retrieved from the Internet:
 <URL: http://www.cogentsystems.com/downloads/CBES_sm.pdf>.

(Continued)

Primary Examiner — Austin Murphy

(74) *Attorney, Agent, or Firm* — Nixon Peabody LLP

Related U.S. Application Data

- (63) Continuation of application No. 13/475,625, filed on May 18, 2012.
- (51) **LOC (10) Cl.** **14-02**
- (52) **U.S. Cl.**
USPC **D14/307**
- (58) **Field of Classification Search**
USPC D14/302, 303, 304, 305, 306, 307, 900,
D14/902; D13/163, 162; 187/395, 396;
361/679.02, 679.21; D20/10; D21/332,
D21/325; D10/108
CPC G06Q 20/18; G06Q 20/10; G06Q 20/123;
G06Q 20/20; G06Q 30/02; G06Q 30/06;
A47F 9/047
See application file for complete search history.

(57) **CLAIM**

The ornamental design for kiosk, as shown and described.

DESCRIPTION

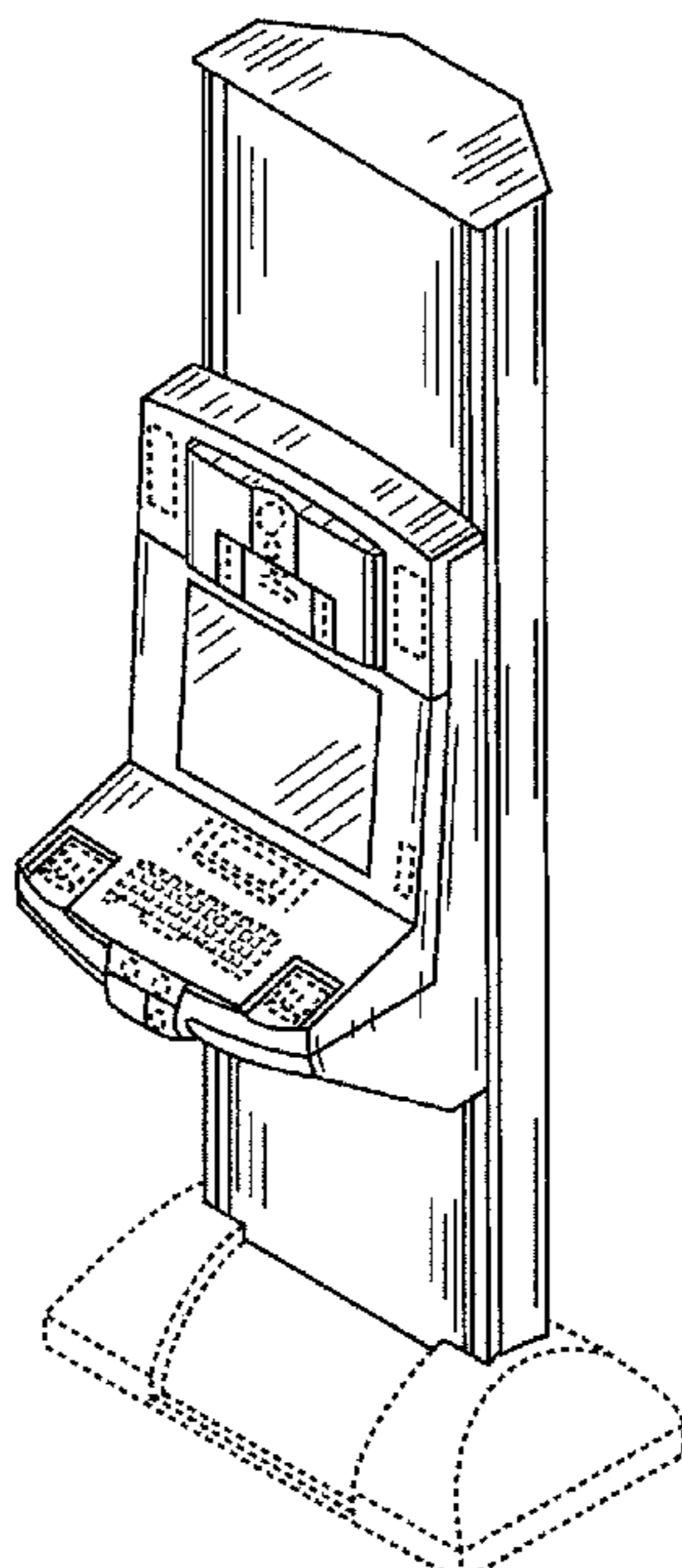
FIG. 1 is a perspective view of a fifth embodiment of a kiosk showing our new design.
 FIG. 2 is a front elevation view of the kiosk of FIG. 1.
 FIG. 3 is a back elevation view of the kiosk of FIG. 1.
 FIG. 4 is a first side elevation view of the kiosk of FIG. 1.
 FIG. 5 is a second side elevation view of the kiosk of FIG. 1.
 FIG. 6 is a top plan view of the kiosk of FIG. 1; and,
 FIG. 7 is a bottom plan view of the kiosk of FIG. 1.
 The portions of the drawings shown in broken lines represent environmental structure and form no part of the claimed design.

(56) **References Cited**

U.S. PATENT DOCUMENTS

5,375,168 A 12/1994 Kudelski 380/14
 6,694,433 B1 2/2004 Kolouch 713/176
 7,079,653 B2 7/2006 Scheidt et al. 380/258
 7,095,852 B2 8/2006 Wack et al. 380/44
 7,212,632 B2 5/2007 Scheidt et al. 380/44

1 Claim, 4 Drawing Sheets



(56)

References Cited

OTHER PUBLICATIONS

U.S. PATENT DOCUMENTS

D591,078 S * 4/2009 Singler et al. D6/432
 D605,189 S * 12/2009 Kuroda D14/307
 D605,191 S * 12/2009 Kuroda et al. D14/307
 D617,575 S * 6/2010 Dreyer et al. D6/396
 7,738,660 B2 6/2010 Scheidt et al. 380/258
 7,817,800 B2 10/2010 Wack et al. 380/44
 D628,742 S * 12/2010 Hsu D28/9
 7,974,410 B2 7/2011 Scheidt et al. 380/47
 8,077,870 B2 12/2011 Wack et al. 380/44
 D671,595 S * 11/2012 O'Hara D19/52
 D695,285 S * 12/2013 Smith et al. D14/307
 D695,733 S * 12/2013 Damhuis D14/307
 D702,675 S * 4/2014 Jones D14/307
 D707,674 S * 6/2014 Daniel D14/307
 D708,676 S * 7/2014 Ballman et al. D21/369
 D717,784 S * 11/2014 Collins et al. D14/307
 D721,695 S * 1/2015 Birgeoglu D14/307
 D721,696 S * 1/2015 Birgeoglu D14/307
 D723,025 S * 2/2015 Birgeoglu D14/307
 D723,538 S * 3/2015 Catoe et al. D14/307
 D726,706 S * 4/2015 Kraft et al. D14/307
 2005/0229007 A1 10/2005 Bolle et al. 713/186
 2009/0034803 A1 2/2009 Matos 382/116
 2010/0290668 A1 11/2010 Friedman et al. 382/103
 2011/0178930 A1 7/2011 Scheidt et al. 5/50
 2012/0293642 A1* 11/2012 Berini et al. 348/77
 2013/0215275 A1* 8/2013 Berini et al. 348/150

“Law Enforcement Product Overview.” 3M Cogent, Inc. [online], [retrieved on Dec. 11, 2012]. Retrieved from the Internet: <URL: http://www.cogentsystems.com/downloads/LE_Overview.pdf>.
 “VB E-Pass® Kiosk” Vision-Box [online], [retrieved on Dec. 11, 2012]. Retrieved from the Internet: <URL: <http://www.vision-box.com/solutions/vbepass/>>.
 “VB E-Pass® Desktop” Vision-Box [online], [retrieved on Dec. 11, 2012]. Retrieved from the Internet: <URL: <http://www.vision-box.com/solutions/vbepassdesktop/>>.
 “VB E-Pass® Portable” Vision-Box [online], [retrieved on Dec. 11, 2012]. Retrieved from the Internet: <URL: <http://www.vision-box.com/solutions/mobile-vbepass/>>.
 “VB E-Pass® Dispenser” Vision-Box [online], [retrieved on Dec. 11, 2012]. Retrieved from the Internet: <URL: <http://www.vision-box.com/solutions/vb-i-dispenser/>>.
 “VB I-Match” Vision-Box [online], [retrieved on Dec. 11, 2012]. Retrieved from the Internet: <URL: <http://www.vision-box.com/solutions/vb-i-match/>>.
 “VB Sentryspider” Vision-Box [online], [retrieved on Dec. 11, 2012]. Retrieved from the Internet: <URL: <http://www.vision-box.com/solutions/vb-sentryspider/>>.
 International Search Report mailed Nov. 23, 2012 which issued in International Patent Application No. PCT/US2012/038675 (5 pages).
 Written Opinion mailed Nov. 23, 2012 which issued in International Patent Application No. PCT/US2012/038675 (5 pages).

* cited by examiner

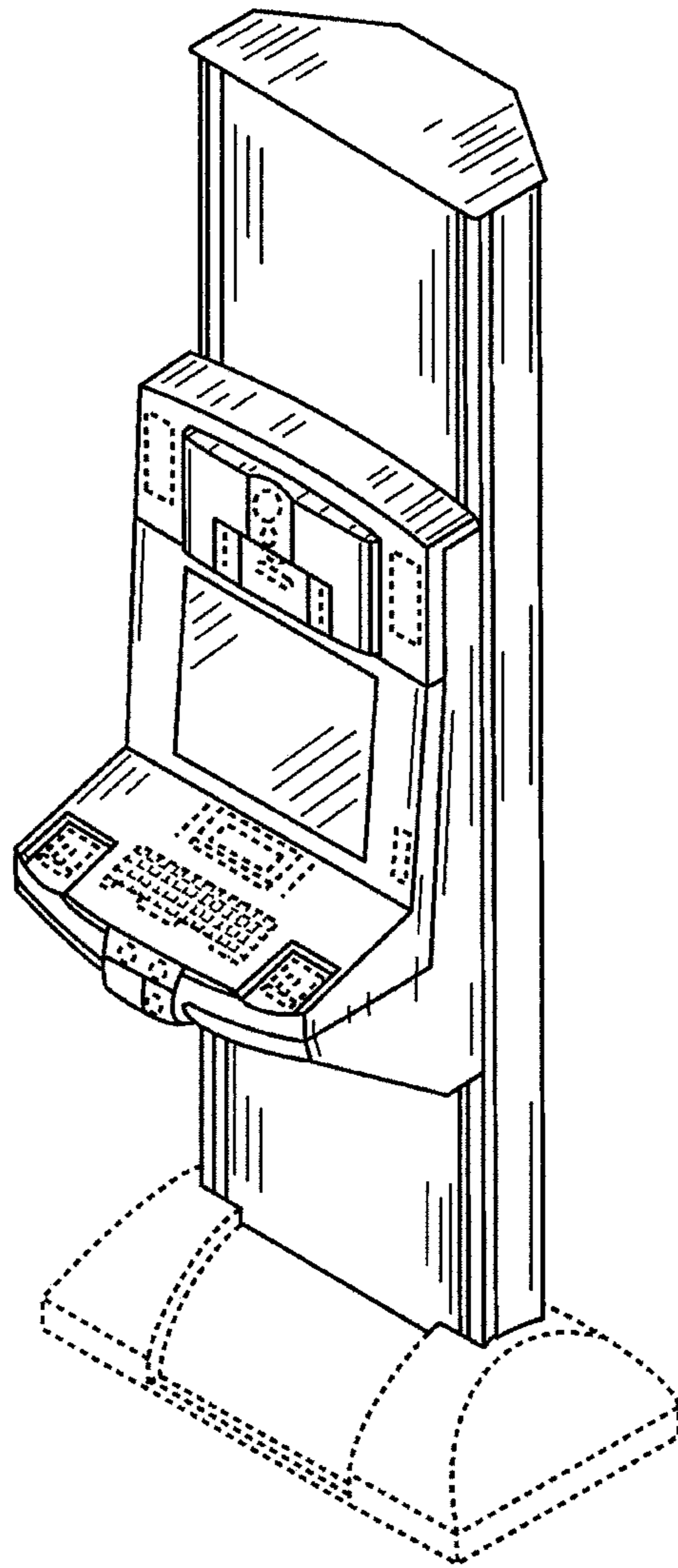


FIG. 1

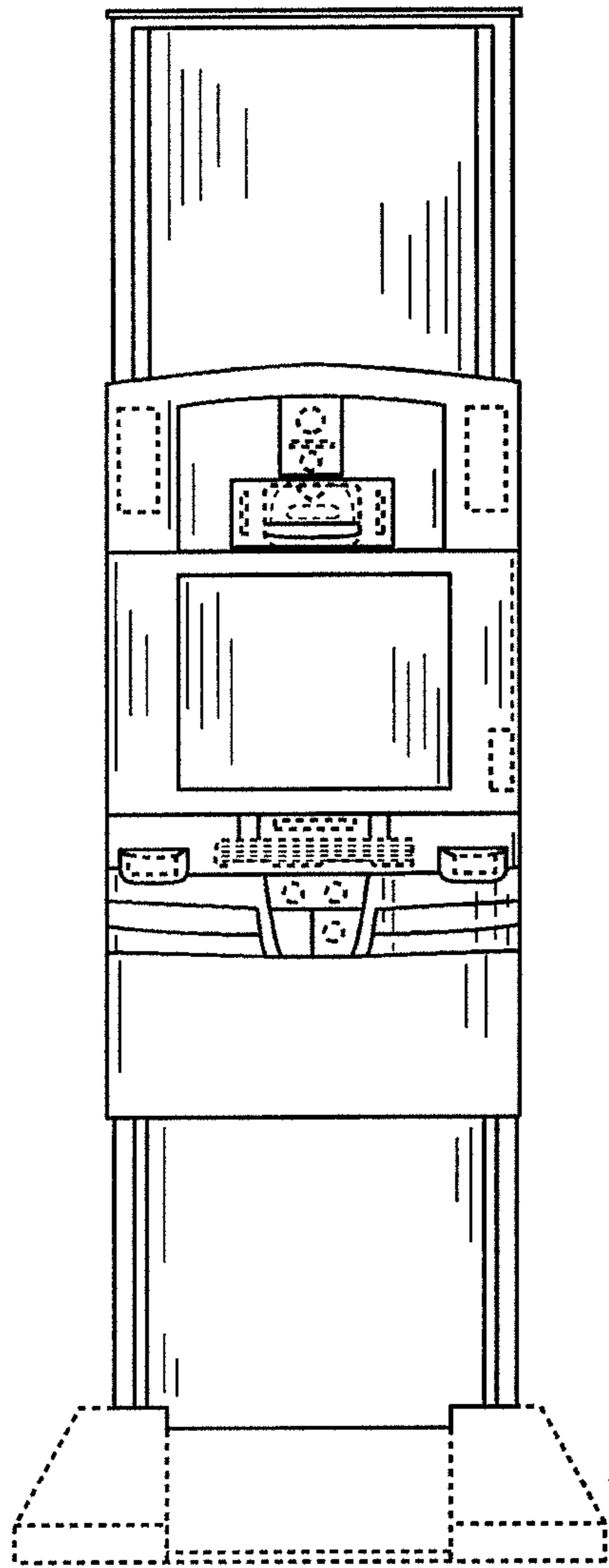


FIG. 2

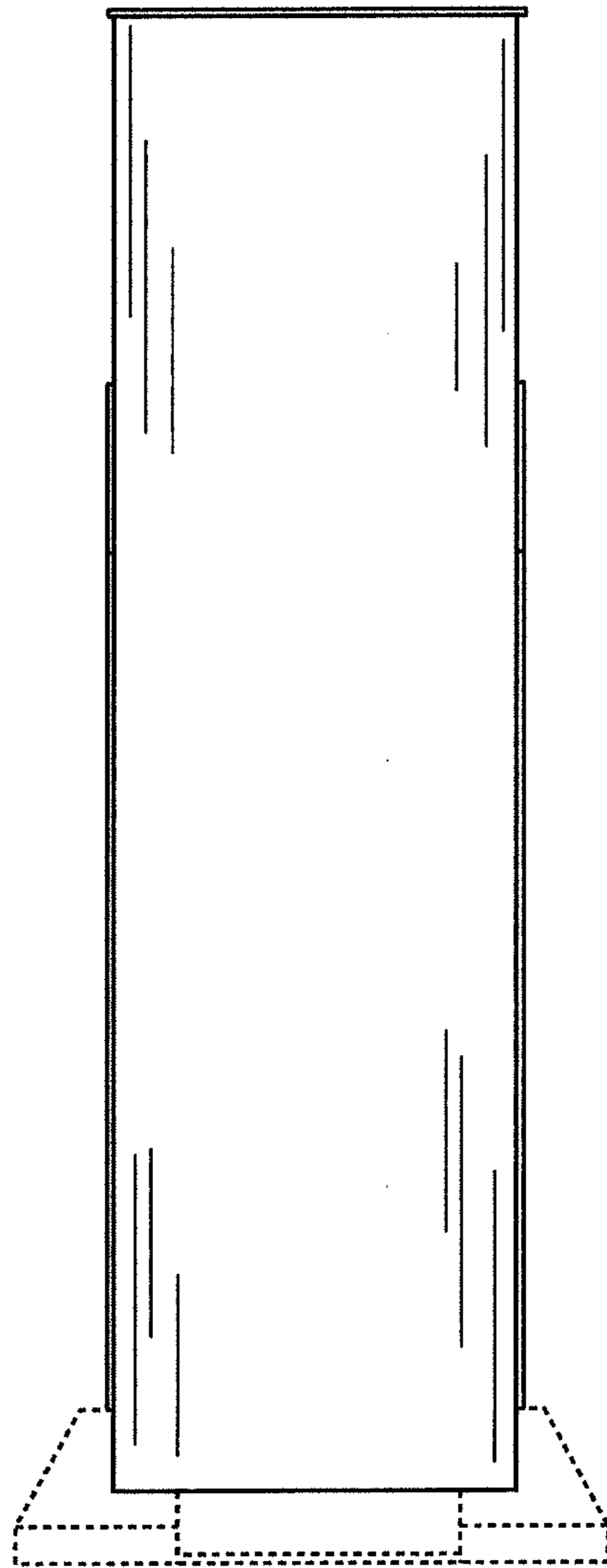


FIG. 3

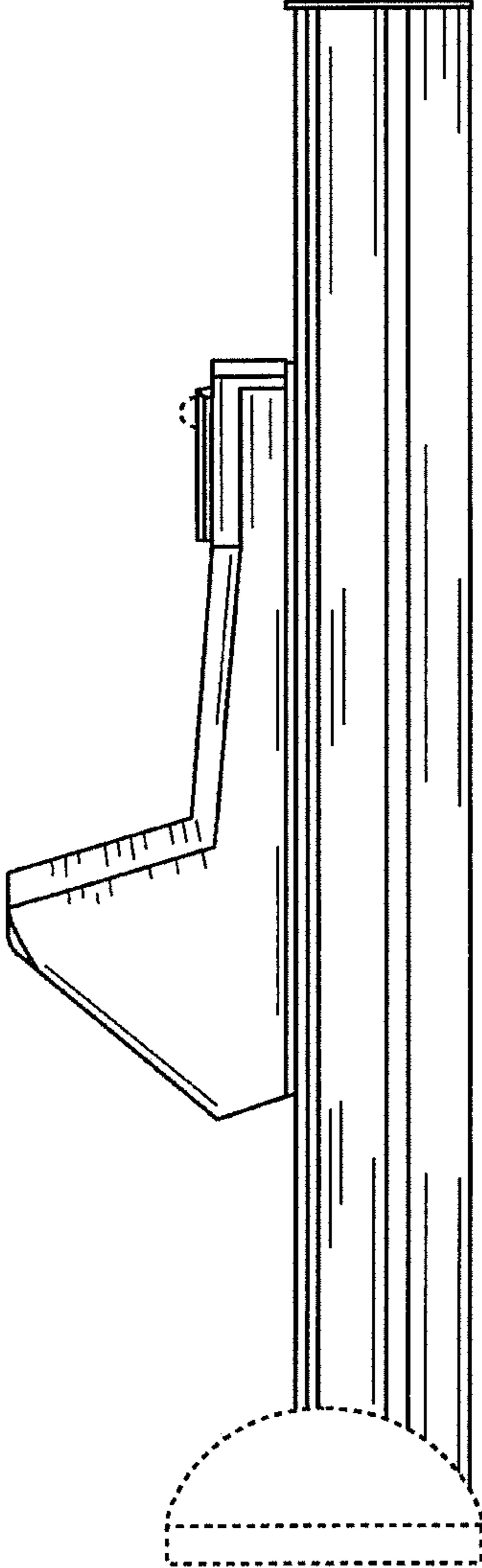


FIG. 4

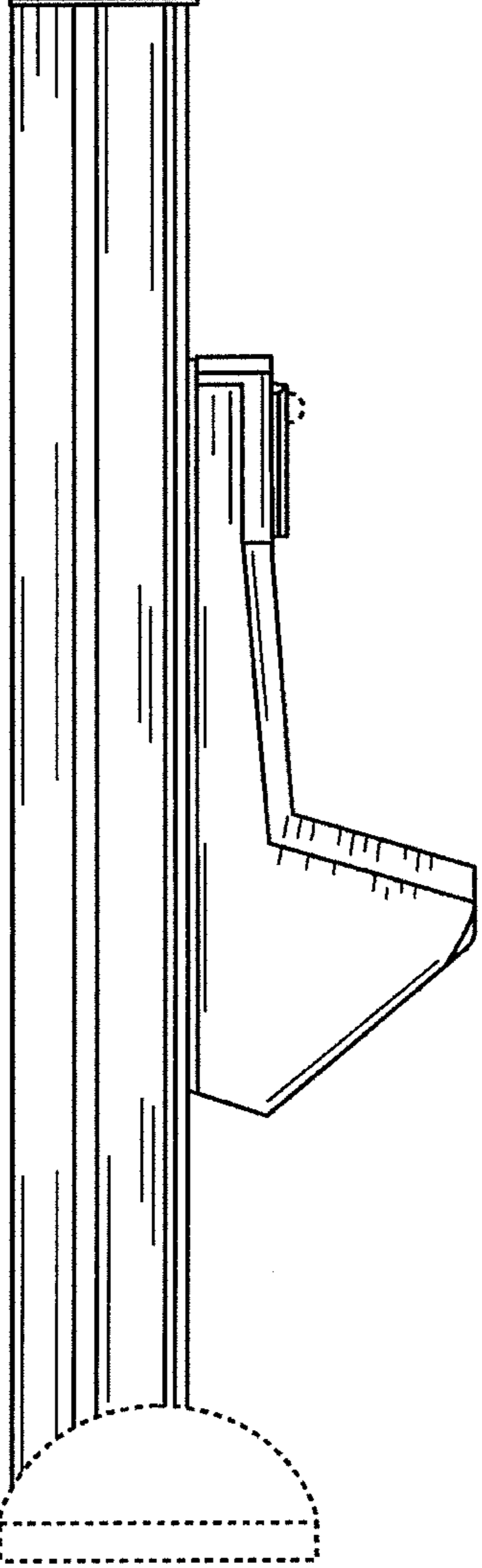


FIG. 5

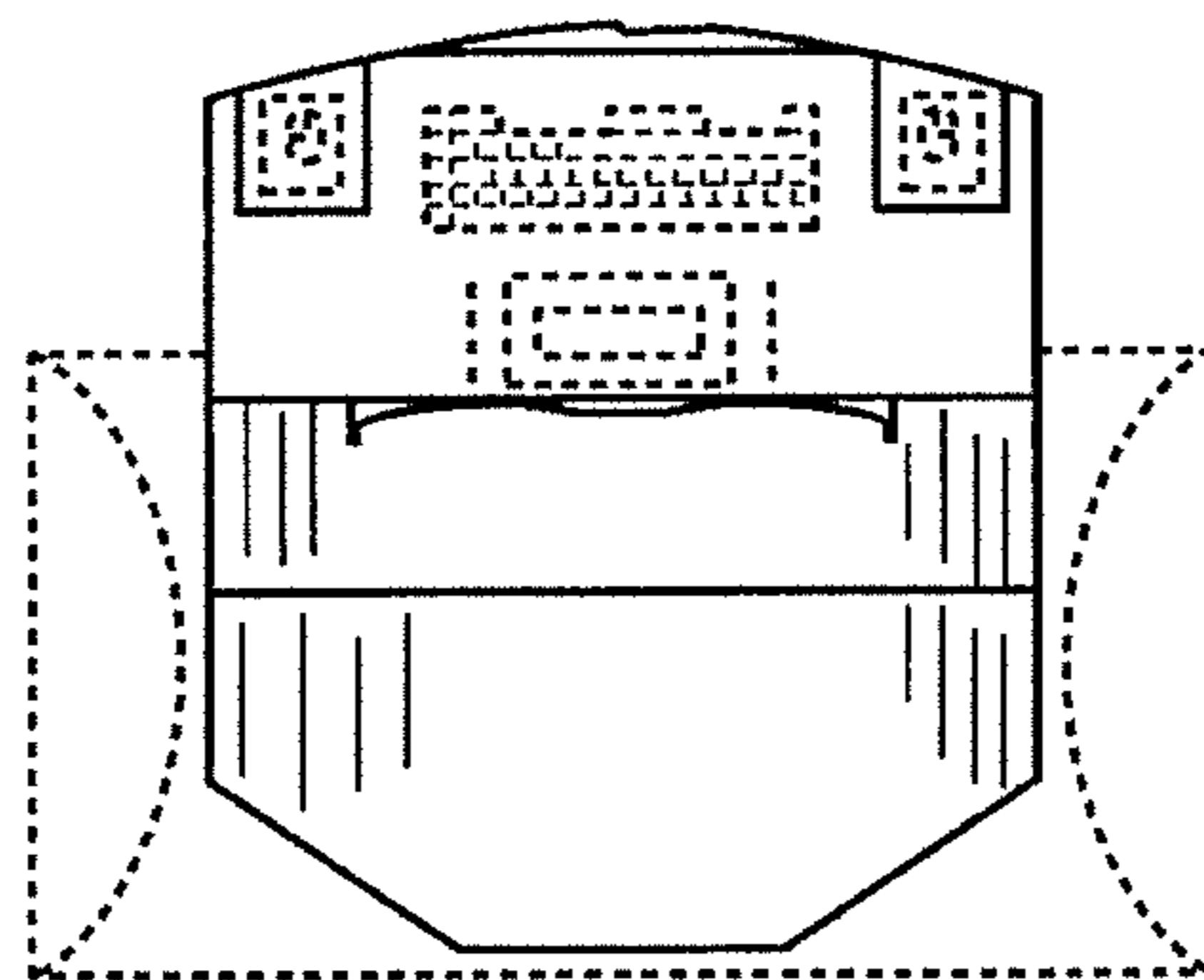


FIG. 6

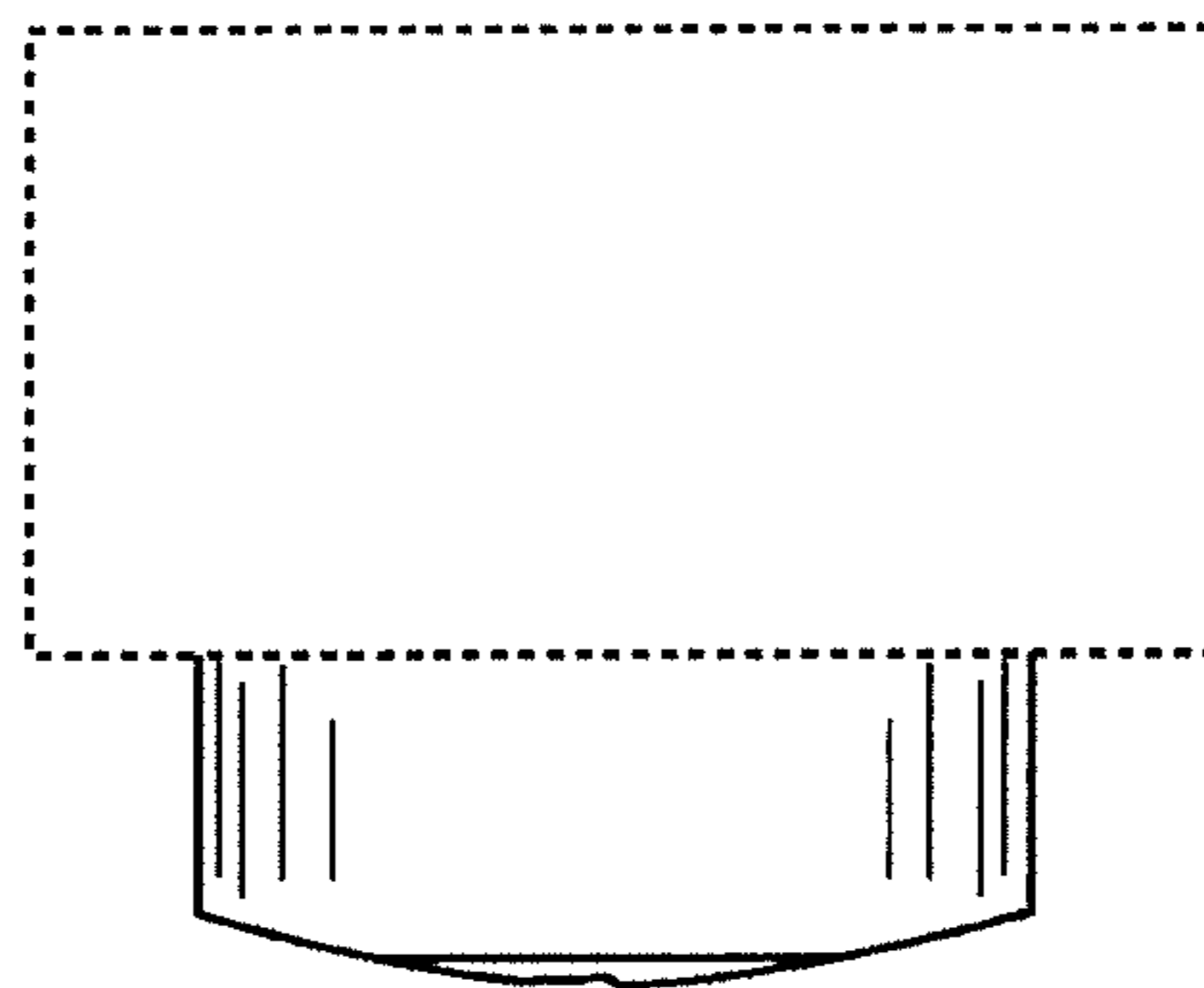


FIG. 7