

US00D742869S

(12) **United States Design Patent**
Odhwani et al.

(10) **Patent No.:** **US D742,869 S**

(45) **Date of Patent:** **** Nov. 10, 2015**

(54) **MOBILE PHONE CASE**

(71) Applicants: **Samin Odhwani**, Carrollton, TX (US);
Lishan Mu, Doraville, GA (US)

(72) Inventors: **Samin Odhwani**, Carrollton, TX (US);
Lishan Mu, Doraville, GA (US)

(73) Assignee: **Turtle Wireless LLC**, Houston, TX (US)

(**) Term: **14 Years**

(21) Appl. No.: **29/467,794**

(22) Filed: **Sep. 24, 2013**

(51) **LOC (10) Cl.** **14-03**

(52) **U.S. Cl.**
USPC **D14/250**

(58) **Field of Classification Search**
USPC D14/250–253, 440, 203.3–203.7, 217,
D14/496, 248, 238.1, 240, 447; D3/201,
D3/218, 269, 301, 273, 303; D13/103,
D13/107–108; 220/4.02; 248/309.1;
361/679.56; 379/426, 433.11, 455;
455/575.1, 575.8; 190/100; 206/305,
206/320
CPC A45C 2011/002; A45C 11/00; A45C
13/002; A45C 2011/003; H04M 1/0283;
H04M 1/0202
See application file for complete search history.

(56) **References Cited**

U.S. PATENT DOCUMENTS

D641,013	S	*	7/2011	Richardson et al.	D14/250
D662,929	S	*	7/2012	Fahrendorff et al.	D14/250
D681,613	S	*	5/2013	Magness et al.	D14/238.1
D703,649	S	*	4/2014	Wikel et al.	D14/250
D703,654	S	*	4/2014	Melanson et al.	D14/250
D703,655	S	*	4/2014	Melanson et al.	D14/250
D710,344	S	*	8/2014	Smith et al.	D14/250

D721,069	S	*	1/2015	Havens et al.	D14/250
D721,071	S	*	1/2015	Nelson et al.	D14/250
8,973,752	B2	*	3/2015	Johnson et al.	206/316.2
D729,786	S	*	5/2015	Lee et al.	D14/250
2012/0018323	A1	*	1/2012	Johnson et al.	206/320
2014/0332417	A1	*	11/2014	Wicks et al.	206/37

OTHER PUBLICATIONS

Yellow Jacket Iphone 4/4S Case, webpage at <http://www.yellowjacketcase.com/iphone-4-4s-case>, printed Sep. 11, 2013, pp. 1-5.

* cited by examiner

Primary Examiner — Carla Jobe Wright

Assistant Examiner — Holly E Thurman

(74) *Attorney, Agent, or Firm* — Grady K. Bergen; Griggs Bergen LLP

(57) **CLAIM**

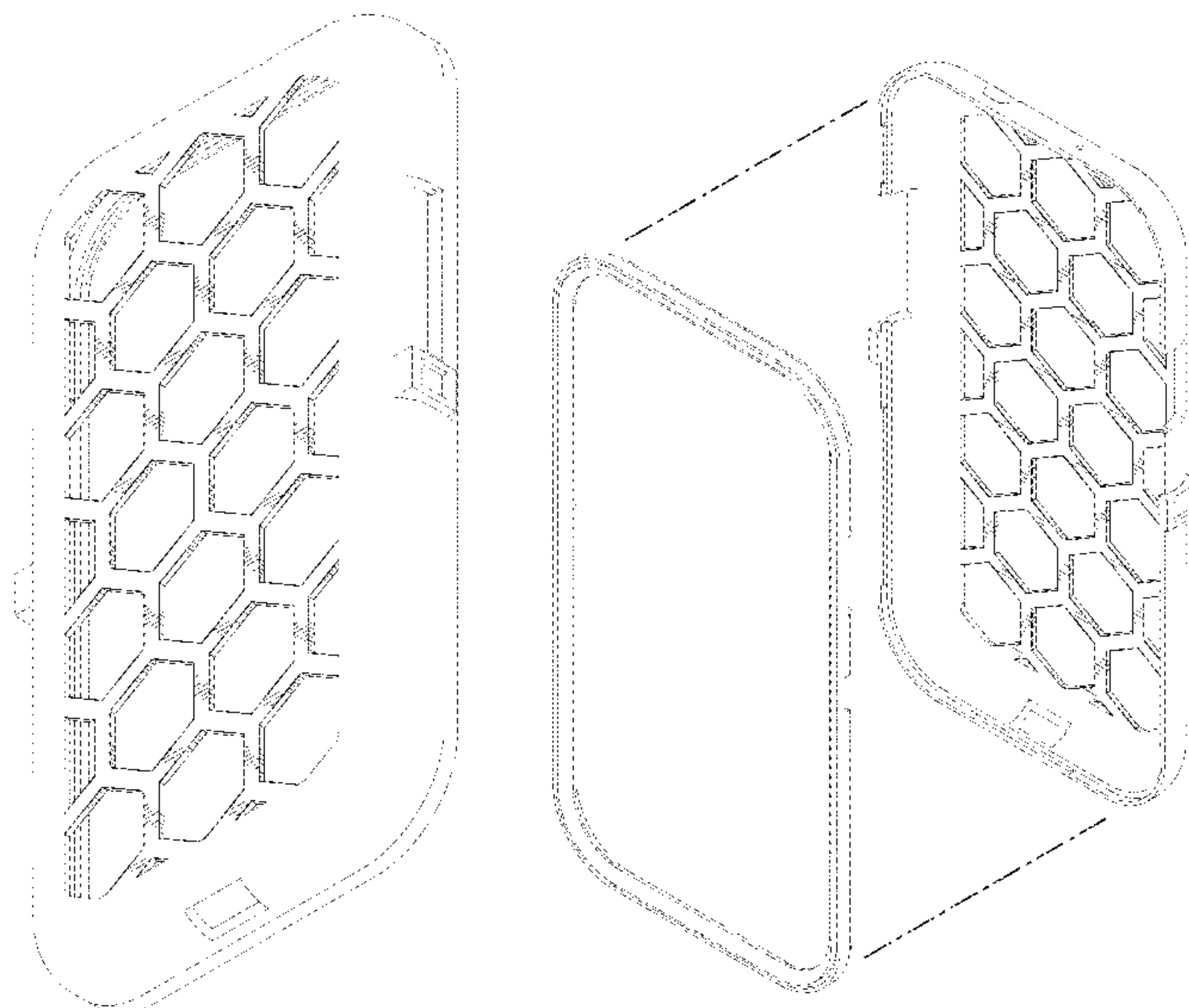
The ornamental design for a mobile phone case, as shown and described.

DESCRIPTION

FIG. 1 is a front perspective view of a mobile phone case showing our new design;
FIG. 2 is a front elevational view thereof;
FIG. 3 is a rear elevational view thereof;
FIG. 4 is a right side elevational view thereof;
FIG. 5 is a left side elevational view thereof;
FIG. 6 is a top plan view thereof;
FIG. 7 is a bottom plan view thereof;
FIG. 8 is a rear perspective view thereof; and,
FIG. 9 is an exploded front perspective view of FIG. 1, shown with the two components of the mobile phone case separated for clarity of disclosure.

The dot-dash broken lines in FIG. 9 show the path along which the components of the case are separated. All other broken lines depict unclaimed environment. The broken lines form no part of the claimed design.

1 Claim, 7 Drawing Sheets



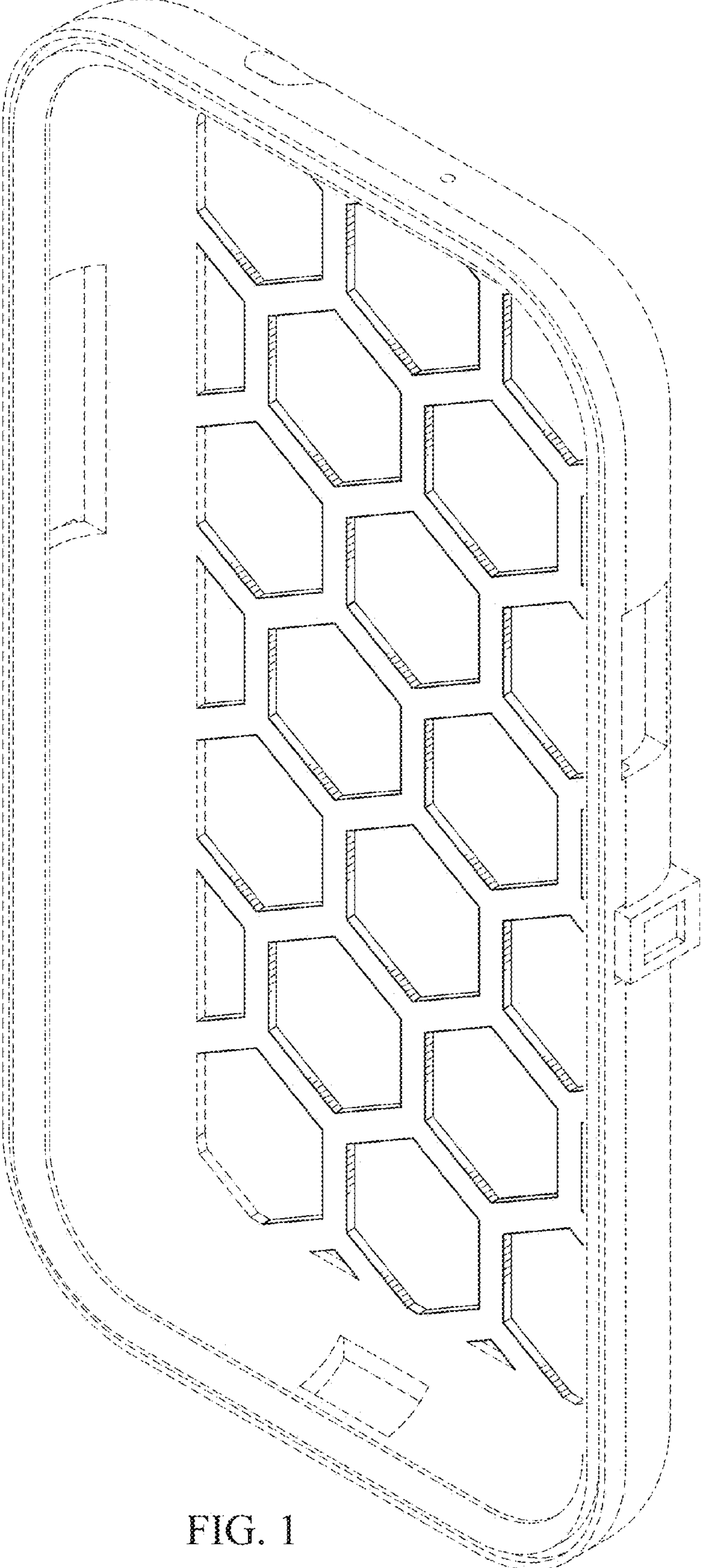


FIG. 1

FIG. 2

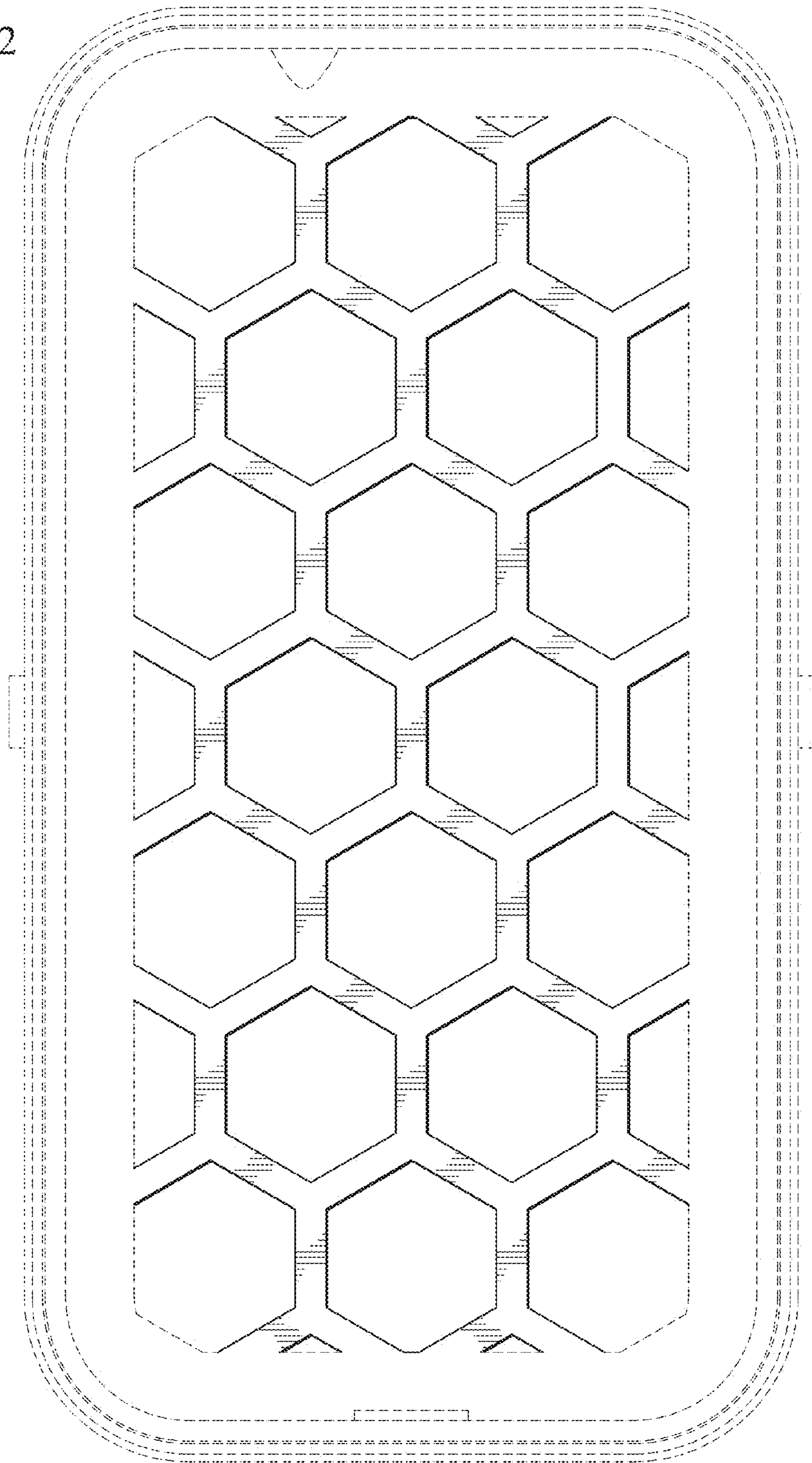
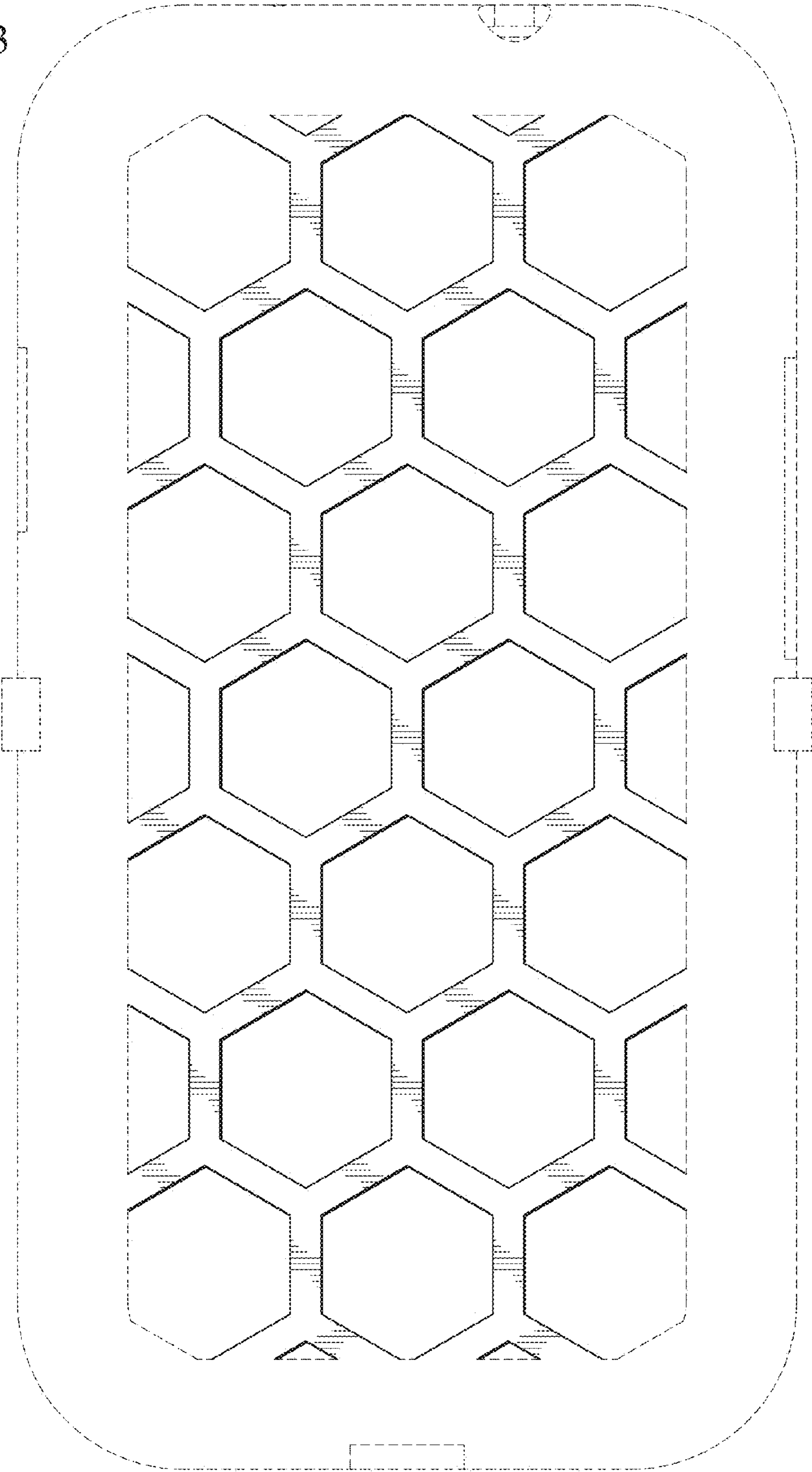


FIG. 3



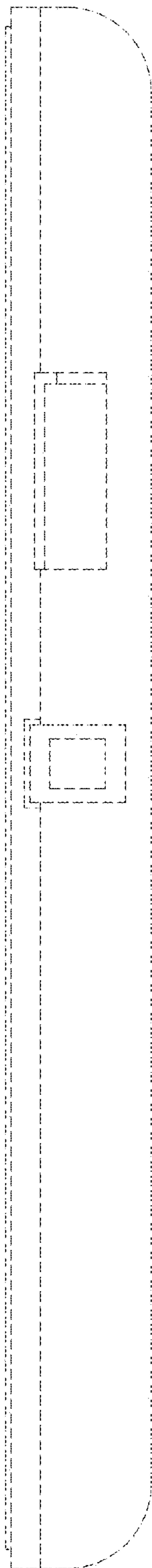


FIG. 4

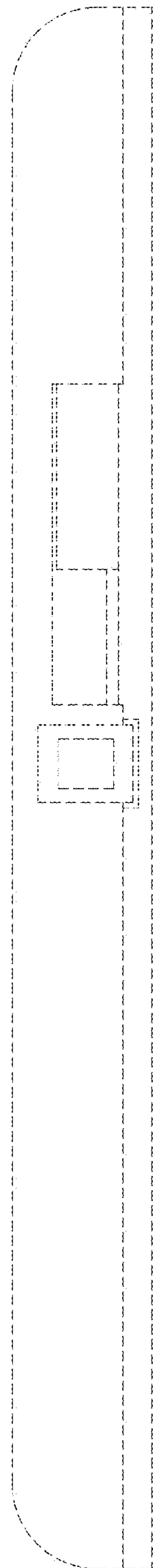


FIG. 5

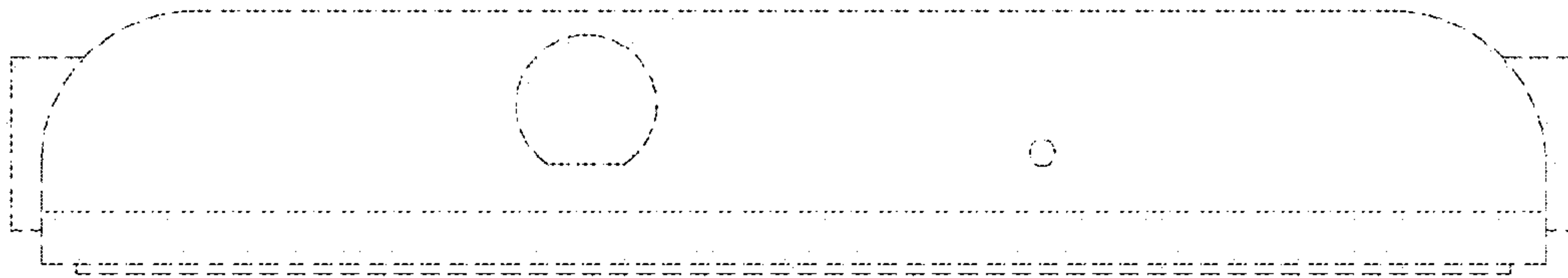


FIG. 6

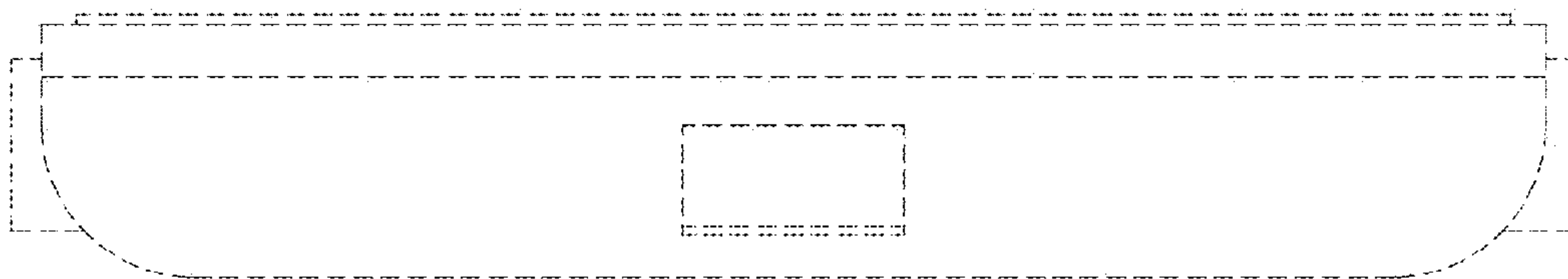


FIG. 7

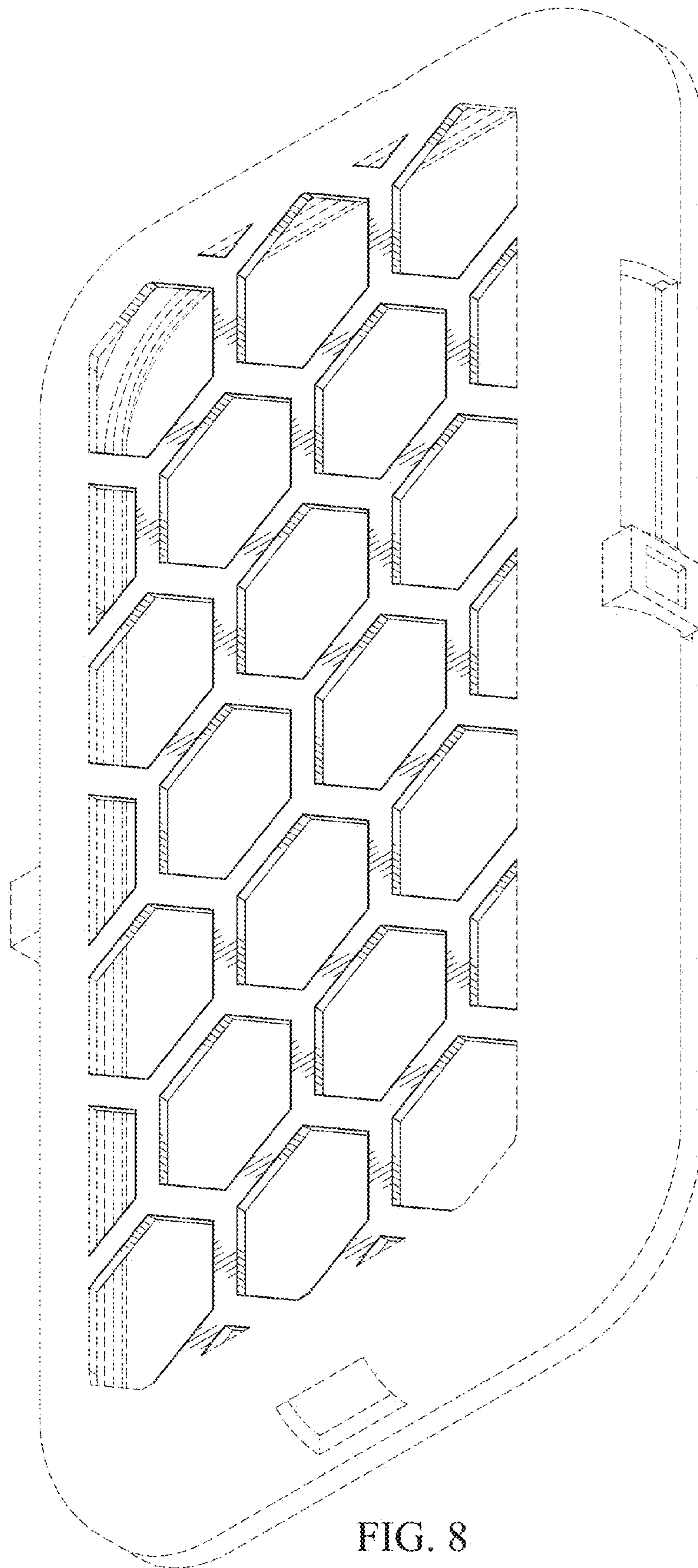


FIG. 8

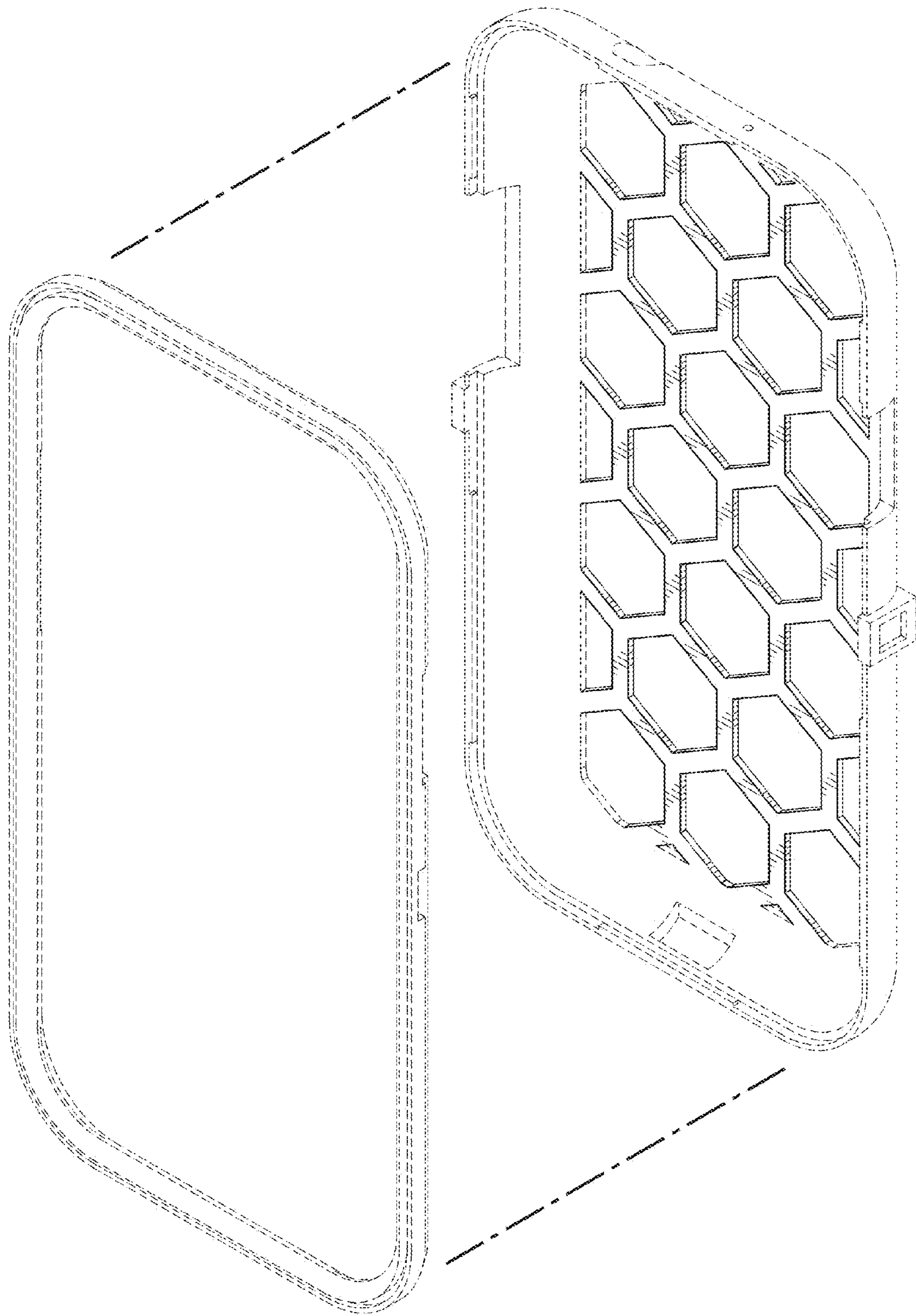


FIG. 9