



US00D742863S

(12) **United States Design Patent**
Aoyagi et al.

(10) **Patent No.:** **US D742,863 S**
(45) **Date of Patent:** **** Nov. 10, 2015**

(54) **TV MONITOR STAND**

(71) Applicant: **Nisca Kabushiki Kaisha**,
Yamanashi-ken (JP)
(72) Inventors: **Tatsuzo Aoyagi**, Yamanashi-ken (JP);
Hiroto Akiyama, Yamanashi-ken (JP);
Toru Ochiai, Yamanashi-ken (JP);
Kenichirou Nakazawa, Yamanashi-ken
(JP)

(73) Assignee: **NISCA KABUSHIKI KAISHA**,
Yamanashi-Ken (JP)

(**) Term: **14 Years**

(21) Appl. No.: **29/507,776**

(22) Filed: **Oct. 30, 2014**

(30) **Foreign Application Priority Data**

Oct. 10, 2014 (EM) 2554675-0001

(51) **LOC (10) Cl.** **14-03**

(52) **U.S. Cl.**
USPC **D14/239**

(58) **Field of Classification Search**
USPC D14/239, 211, 238, 251, 253, 371-382,
D14/125-129, 336, 337, 447, 448, 451, 452,
D14/492, 450; 341/12; 345/104, 156, 168,
345/173; 348/180, 184, 325, 739; 349/1, 2,
349/11, 62; 361/679.05-679.07, 679.21;
D6/300, 310-313, 308, 708
CPC H03M 2201/4135; G06F 3/0412;
G02F 1/13338; H04N 17/00; H04N 17/004;
H04N 17/04
See application file for complete search history.

(56) **References Cited**

U.S. PATENT DOCUMENTS

D292,917 S * 11/1987 Thomasen D14/224
5,207,405 A 5/1993 Cobb

D463,440 S 9/2002 Oba
D474,047 S * 5/2003 Lara D6/675.1
6,874,743 B2 4/2005 Watanabe et al.
7,061,754 B2 6/2006 Moscovitch
D533,168 S * 12/2006 Inoue D14/239
D549,232 S * 8/2007 Li et al. D14/447
7,261,261 B2 * 8/2007 Ligertwood 248/129
D551,663 S 9/2007 Kita

(Continued)

OTHER PUBLICATIONS

Trade Show Displays, Exhibit, Computer Monitor Stand, Flat screen
LCD, <http://www.youhuge.com/monitor-stands-mod-1247.html>,
Sep. 17, 2014.

Primary Examiner — Randall Gholson

(74) *Attorney, Agent, or Firm* — Hogan Lovells US LLP

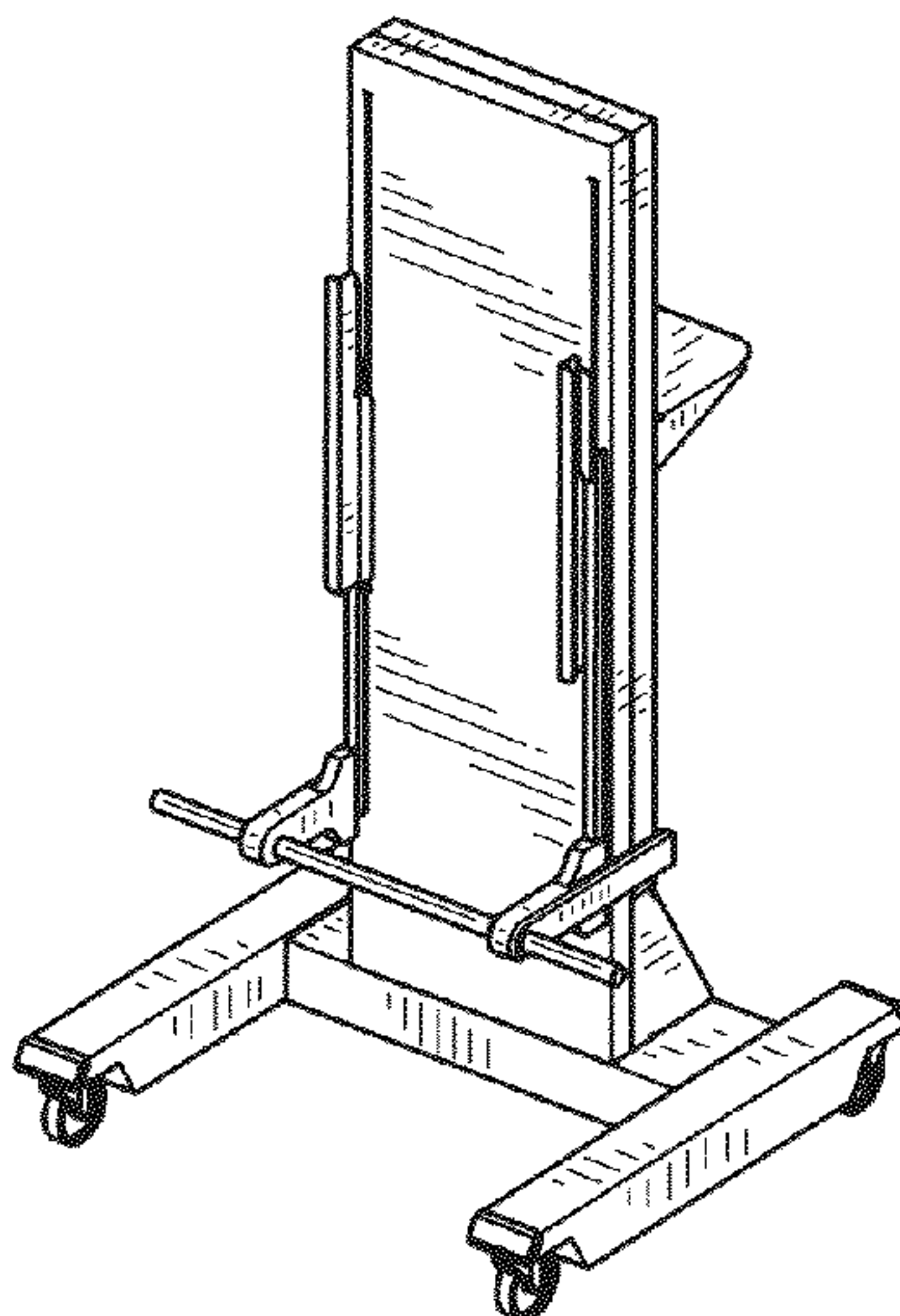
(57) **CLAIM**

The ornamental design for a TV monitor stand, as shown and
described.

DESCRIPTION

FIG. 1 is a front perspective view of an adjustable TV monitor
stand including a platform for supporting a TV monitor;
FIG. 2 is a front view thereof;
FIG. 3 is a rear view thereof;
FIG. 4 is a top view thereof;
FIG. 5 is a bottom view thereof;
FIG. 6 is a right side view thereof;
FIG. 7 is a left side view thereof;
FIG. 8 is a perspective view of the adjustable TV monitor
stand showing the stand in a highest position supporting a TV
monitor; and,
FIG. 9 is a perspective view of the adjustable TV monitor
stand showing the stand in a middle position supporting a TV
monitor.
The TV monitor shown in broken lines in FIGS. 8 and 9 shows
unclaimed environment and forms no part of the claimed
design.

1 Claim, 9 Drawing Sheets



(56)

References Cited

U.S. PATENT DOCUMENTS

D593,776 S * 6/2009 Sexton D6/678.2
D611,480 S 3/2010 Hau et al.
D615,072 S * 5/2010 Saitou D14/239
7,722,003 B2 5/2010 Ishizaki et al.
7,793,897 B2 9/2010 Wang et al.

D642,183 S * 7/2011 Chinuki et al. D14/451
D643,027 S * 8/2011 Calco D14/239
D653,245 S 1/2012 Buzzard et al.
8,267,360 B2 9/2012 Su
8,405,959 B2 3/2013 Lee et al.
D704,195 S * 5/2014 Marquette D14/447
D712,691 S * 9/2014 Xiang et al. D6/678.1
2007/0170331 A1 7/2007 Prater

* cited by examiner

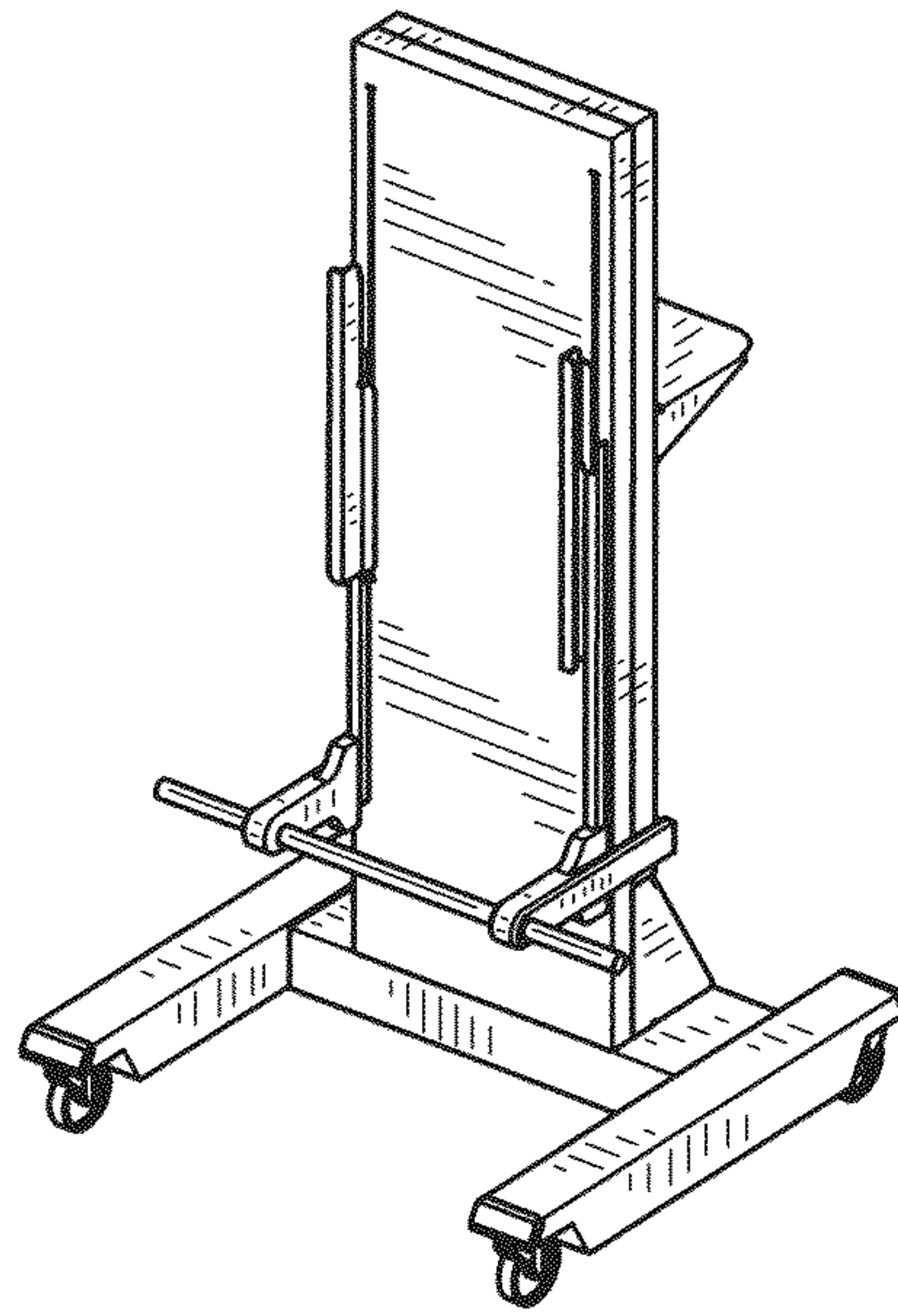


FIG.1

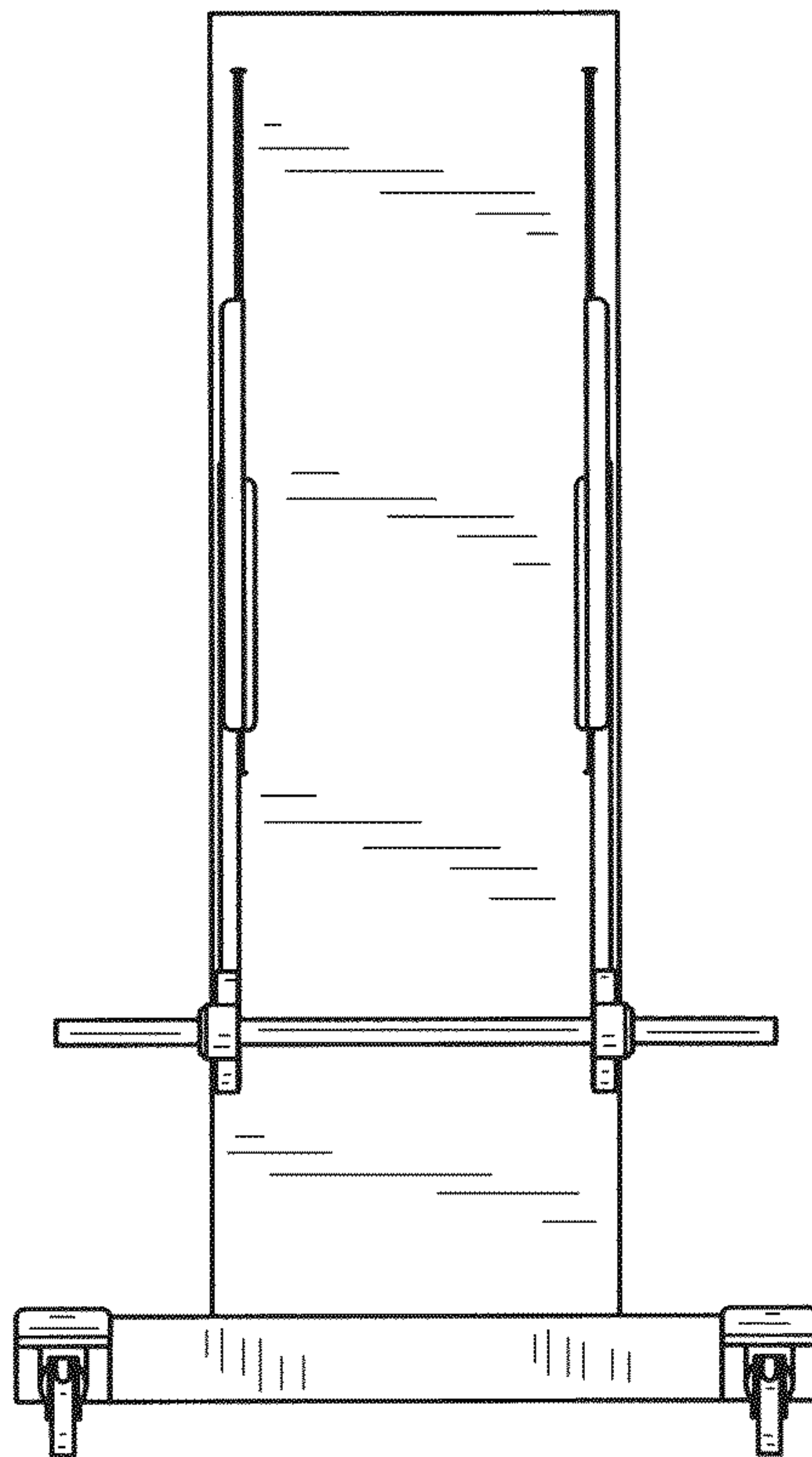


FIG.2

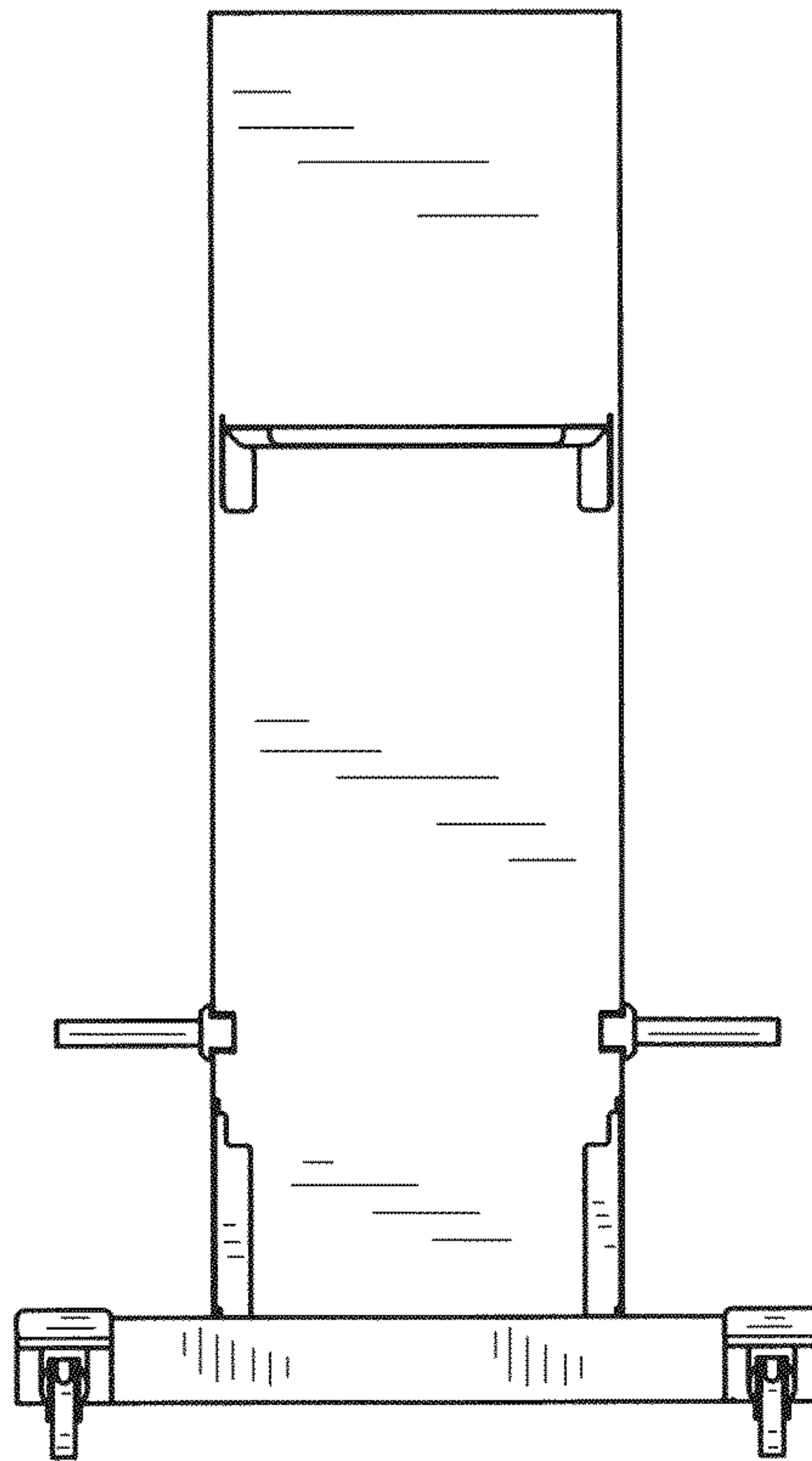


FIG.3

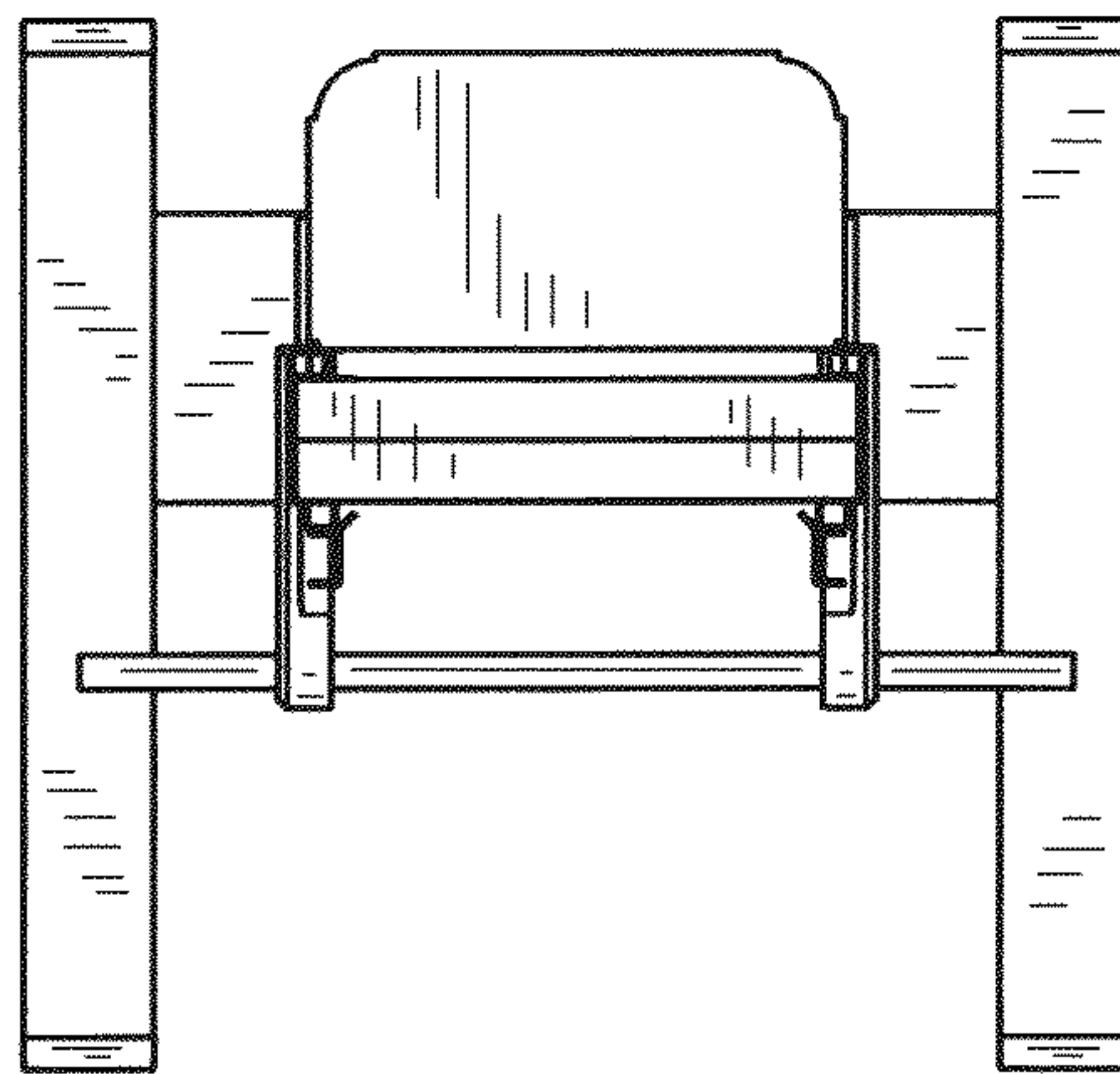


FIG.4

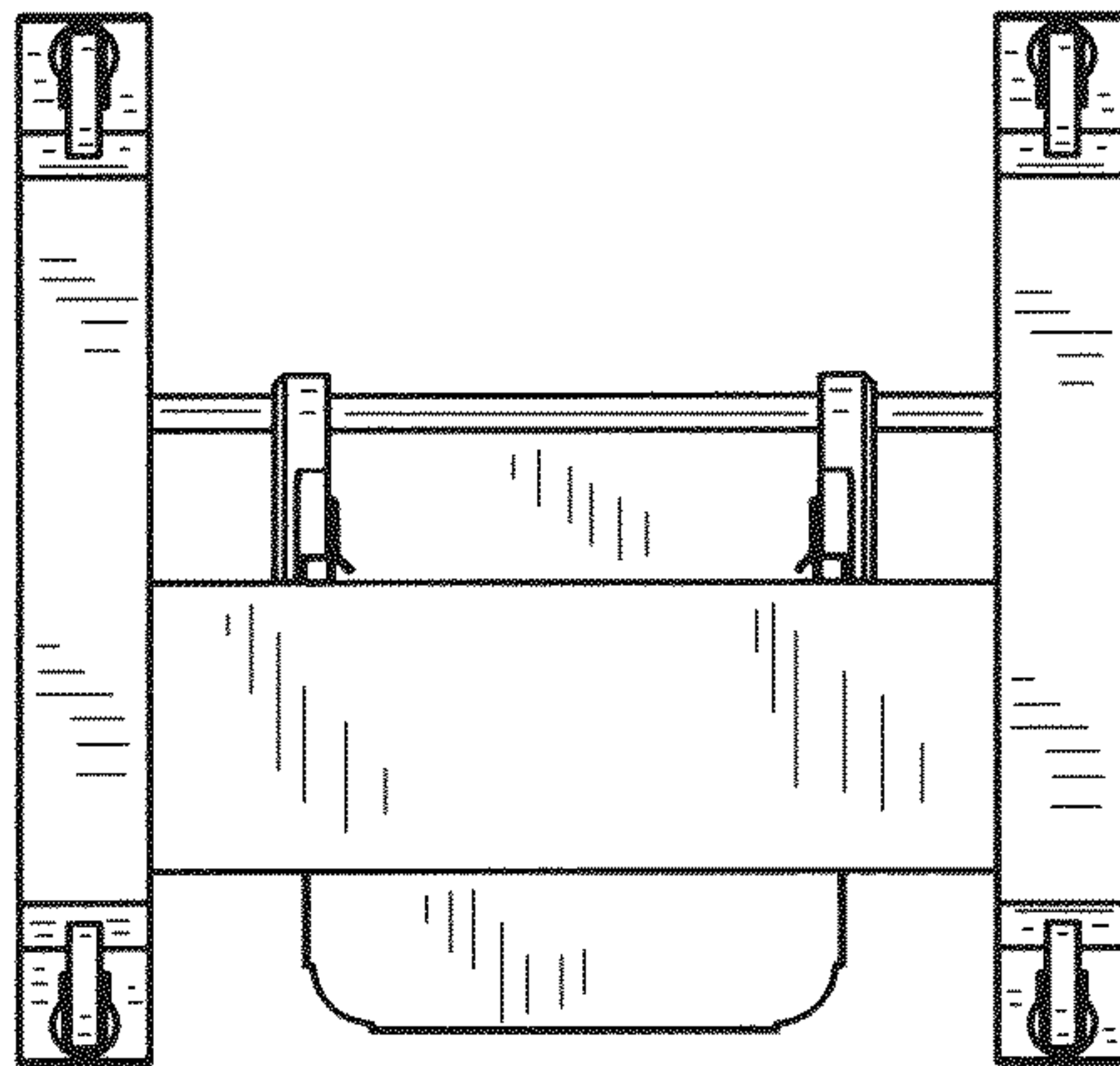


FIG.5

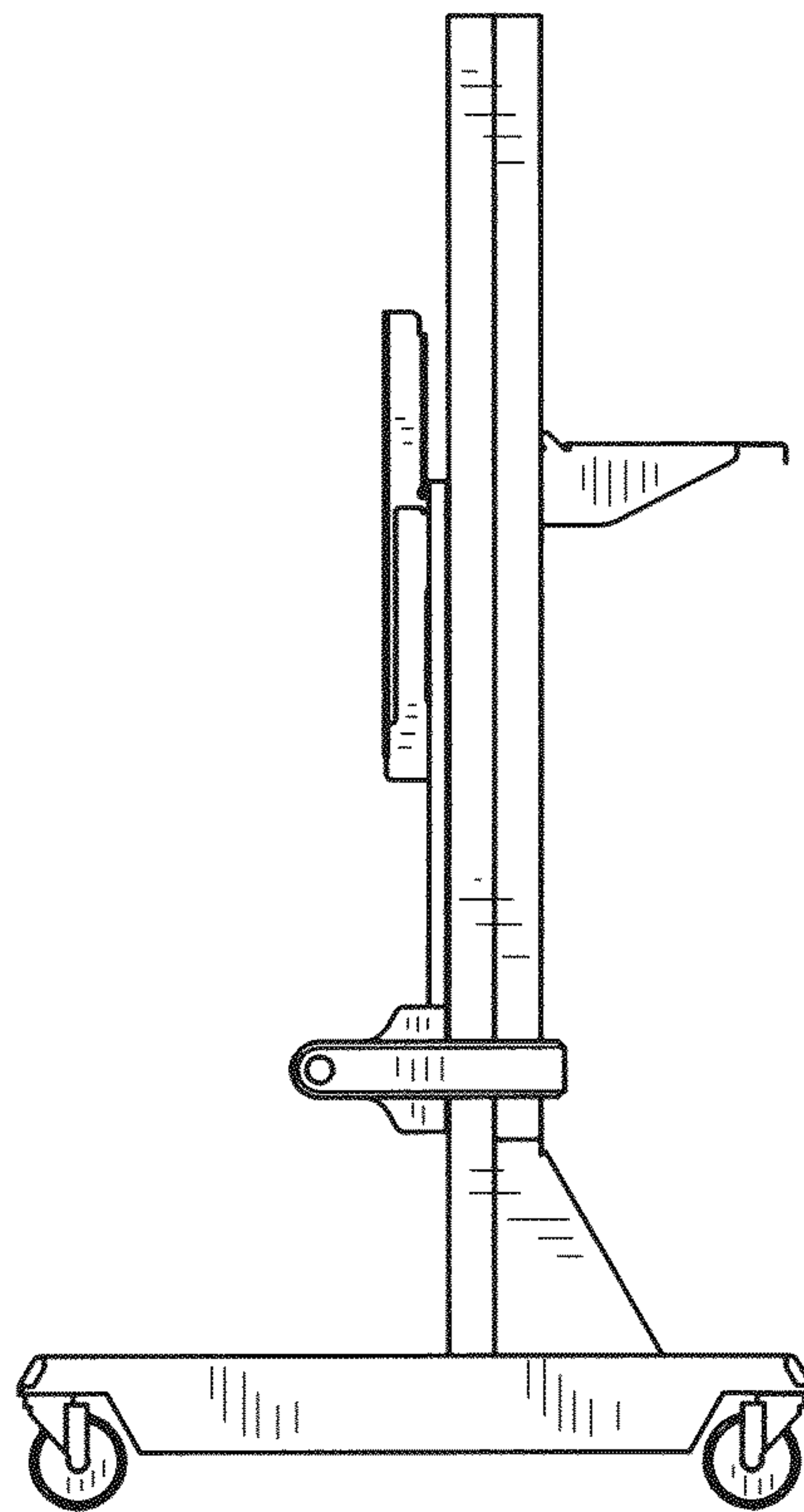


FIG.6

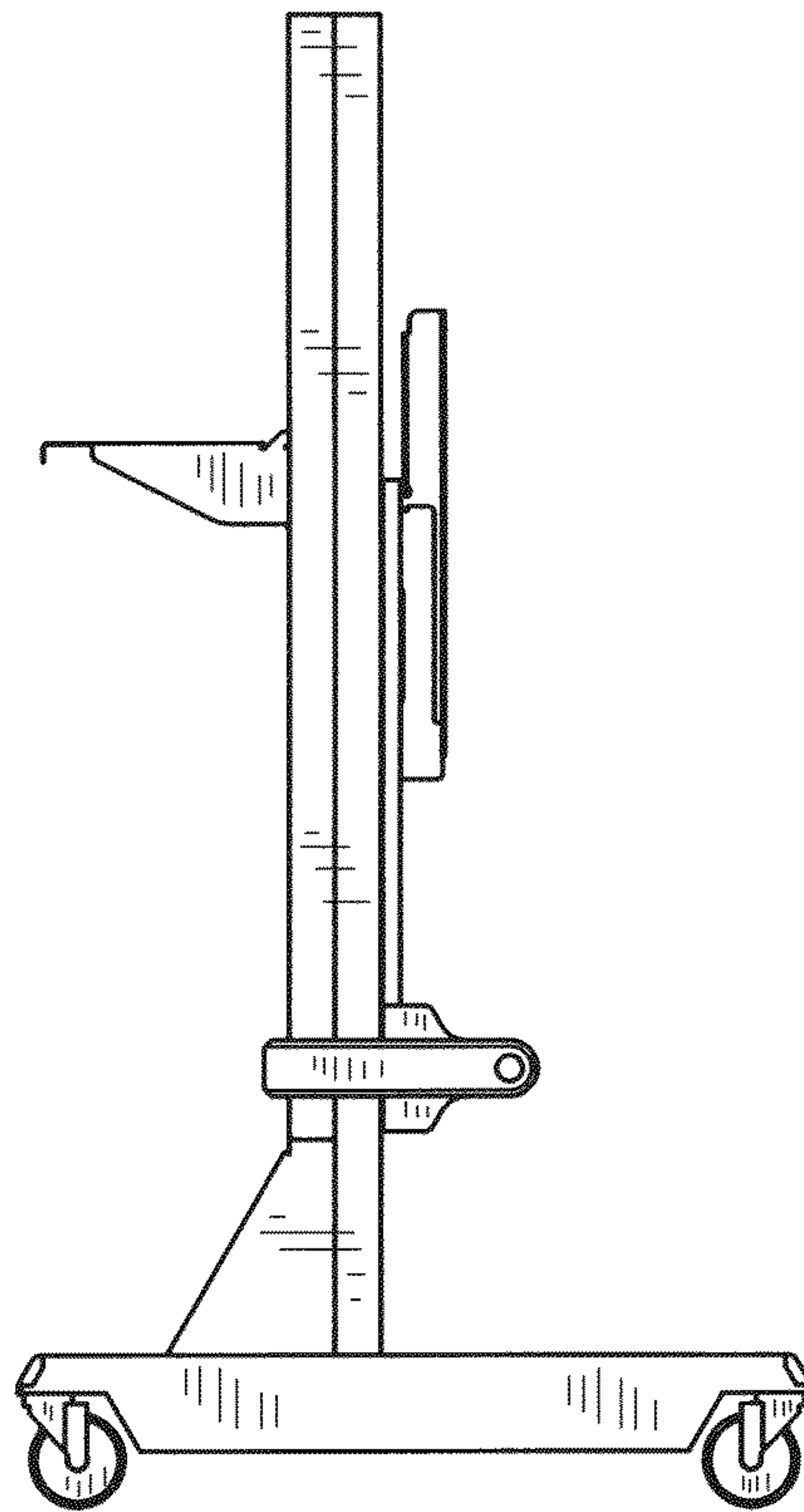


FIG.7

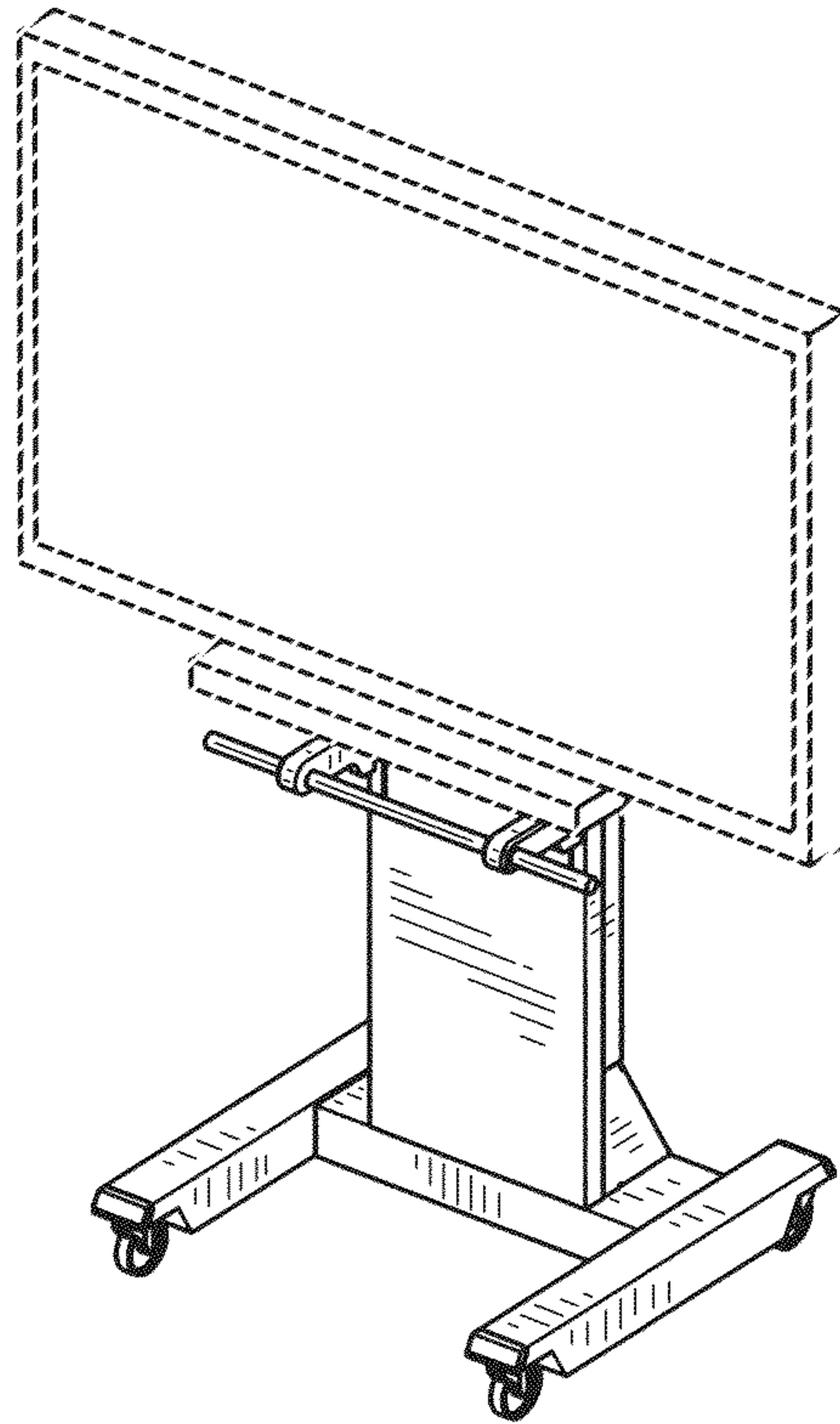


FIG.8

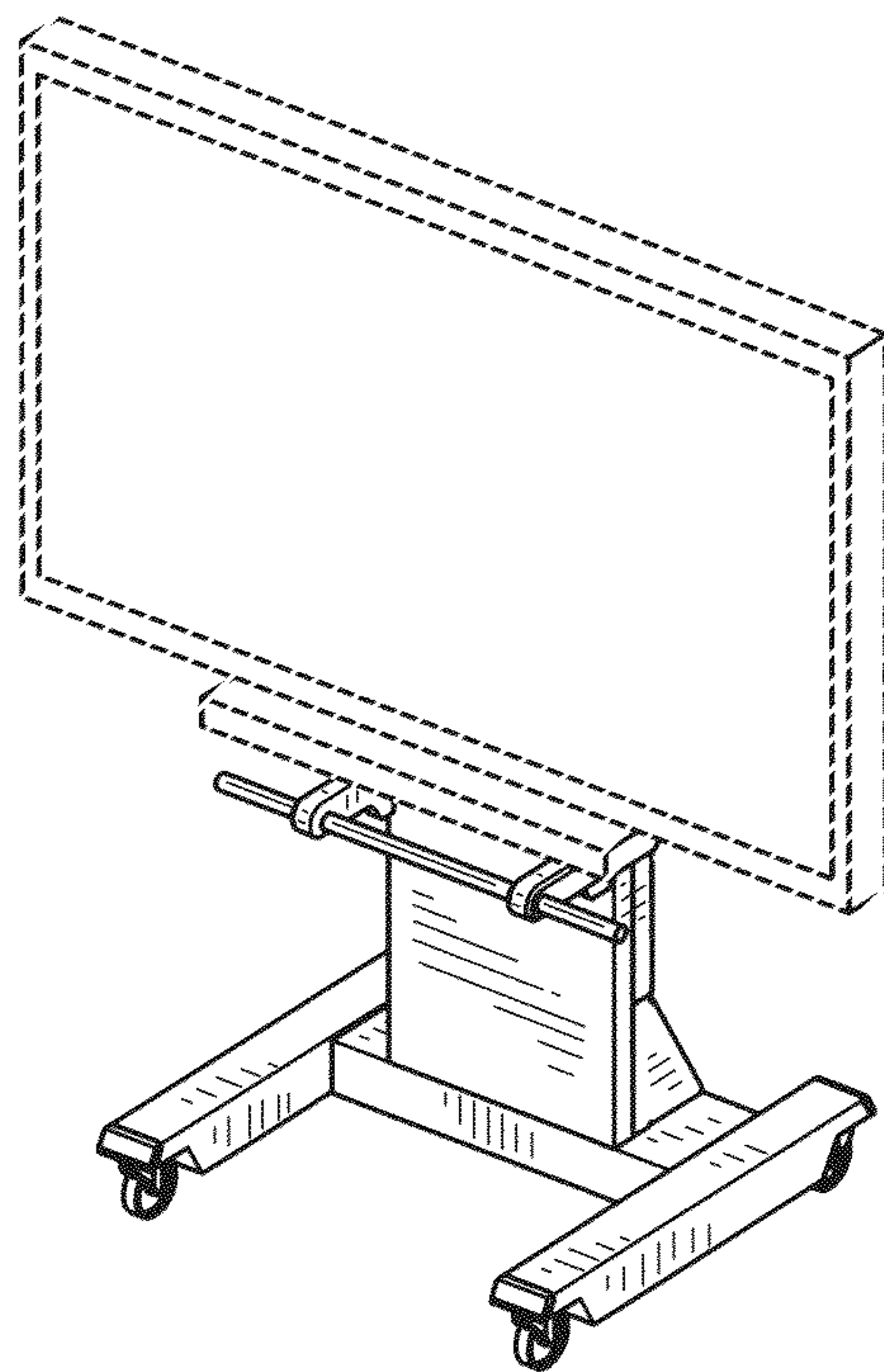


FIG.9