



US00D742861S

(12) **United States Design Patent**
Miyake et al.

(10) **Patent No.:** **US D742,861 S**

(45) **Date of Patent:** **** Nov. 10, 2015**

(54) **EARPHONE**

(71) Applicant: **YAMAHA CORPORATION**,
Hamamatsu-shi, Shizuoka (JP)

(72) Inventors: **Kazushige Miyake**, Tokyo (JP);
Mitsuru Hosoo, Tokyo (JP)

(73) Assignee: **YAMAHA CORPORATION**,
Hamamatsu-shi (JP)

(**) Term: **14 Years**

(21) Appl. No.: **29/509,495**

(22) Filed: **Nov. 18, 2014**

(30) **Foreign Application Priority Data**

May 19, 2014 (JP) 2014-010565

(51) **LOC (10) Cl.** **14-01**

(52) **U.S. Cl.**
USPC **D14/223**

(58) **Field of Classification Search**
USPC D14/223, 205; 181/129, 130, 135;
379/430, 431; 381/380, 381, 322, 328,
381/338

CPC H04R 25/00
See application file for complete search history.

(56) **References Cited**

U.S. PATENT DOCUMENTS

D213,109 S * 1/1969 Young D24/174
4,069,400 A * 1/1978 Johanson et al. 381/324
D266,271 S * 9/1982 Johanson et al. D24/174

D338,530 S * 8/1993 Oberlander D24/174
D367,113 S * 2/1996 Weeks D24/174
D512,049 S * 11/2005 Yang D14/223
D550,657 S * 9/2007 Gan et al. D14/223
D554,109 S * 10/2007 Ledbetter et al. D14/223
D566,099 S * 4/2008 Komiyama D14/206
D631,470 S * 1/2011 Yoneyama et al. D14/223
D666,581 S * 9/2012 Perez D14/223
D673,140 S * 12/2012 Kelly et al. D14/223
D673,531 S * 1/2013 Lee et al. D14/223
8,666,085 B2 * 3/2014 Donaldson et al. 381/71.6
8,774,434 B2 * 7/2014 Zhao et al. 381/328
D711,356 S * 8/2014 Yang D14/223
D732,509 S * 6/2015 Brunner et al. D14/223

* cited by examiner

Primary Examiner — Paula Greene

(74) *Attorney, Agent, or Firm* — Sughrue Mion, PLLC

(57) **CLAIM**

The ornamental design for an earphone, as shown and described.

DESCRIPTION

FIG. 1 is a perspective view of the front, top and right side of an earphone showing our new design; FIG. 2 is a front view thereof; FIG. 3 is a rear view thereof; FIG. 4 is a left side view thereof; FIG. 5 is a top plan view thereof; and, FIG. 6 is a bottom view thereof.

The right side view is a mirror image of the left side view. The broken lines shown are included for the purpose of illustrating the unclaimed portions of an earphone and form no part of the claimed design.

1 Claim, 6 Drawing Sheets

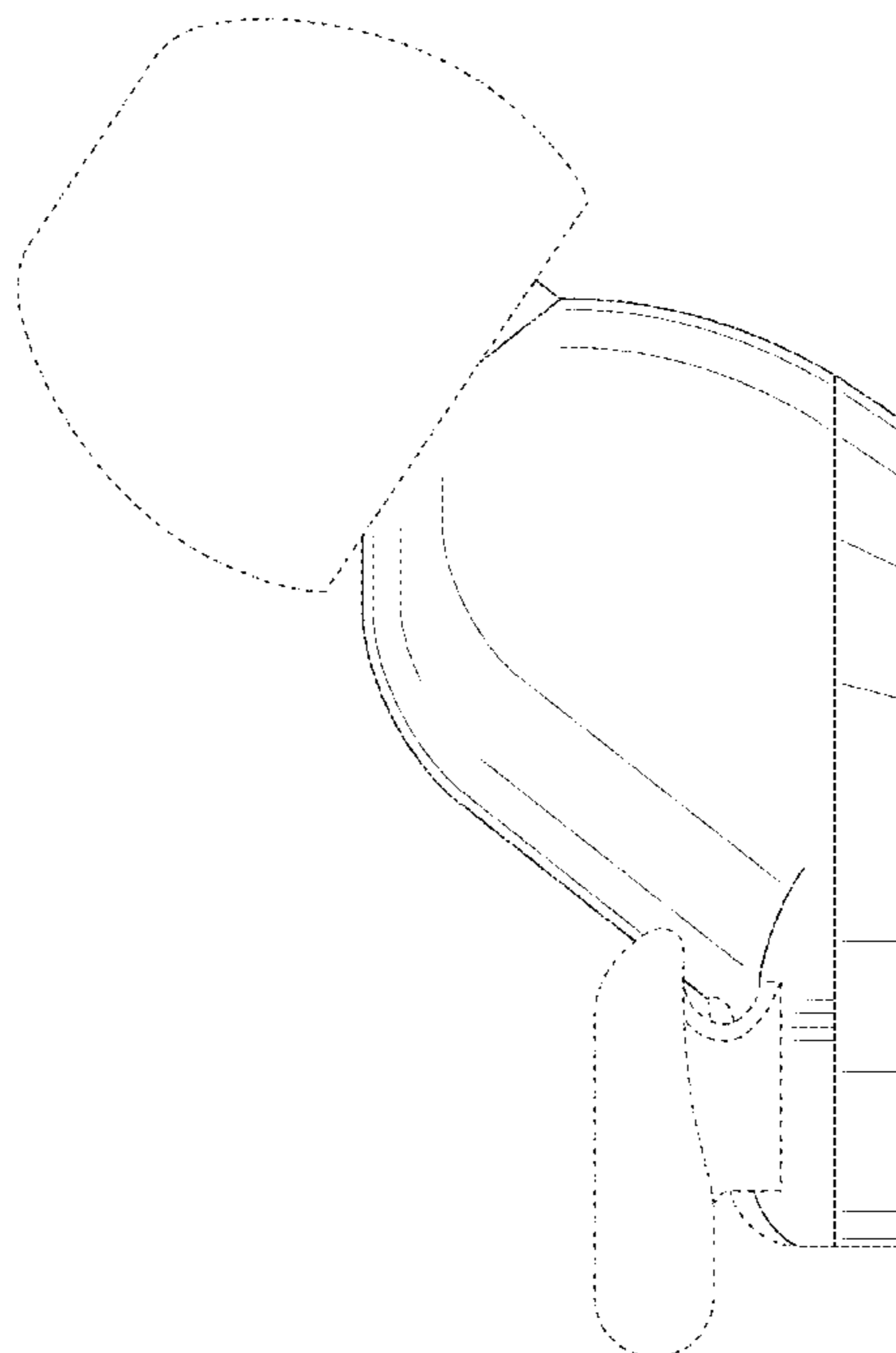
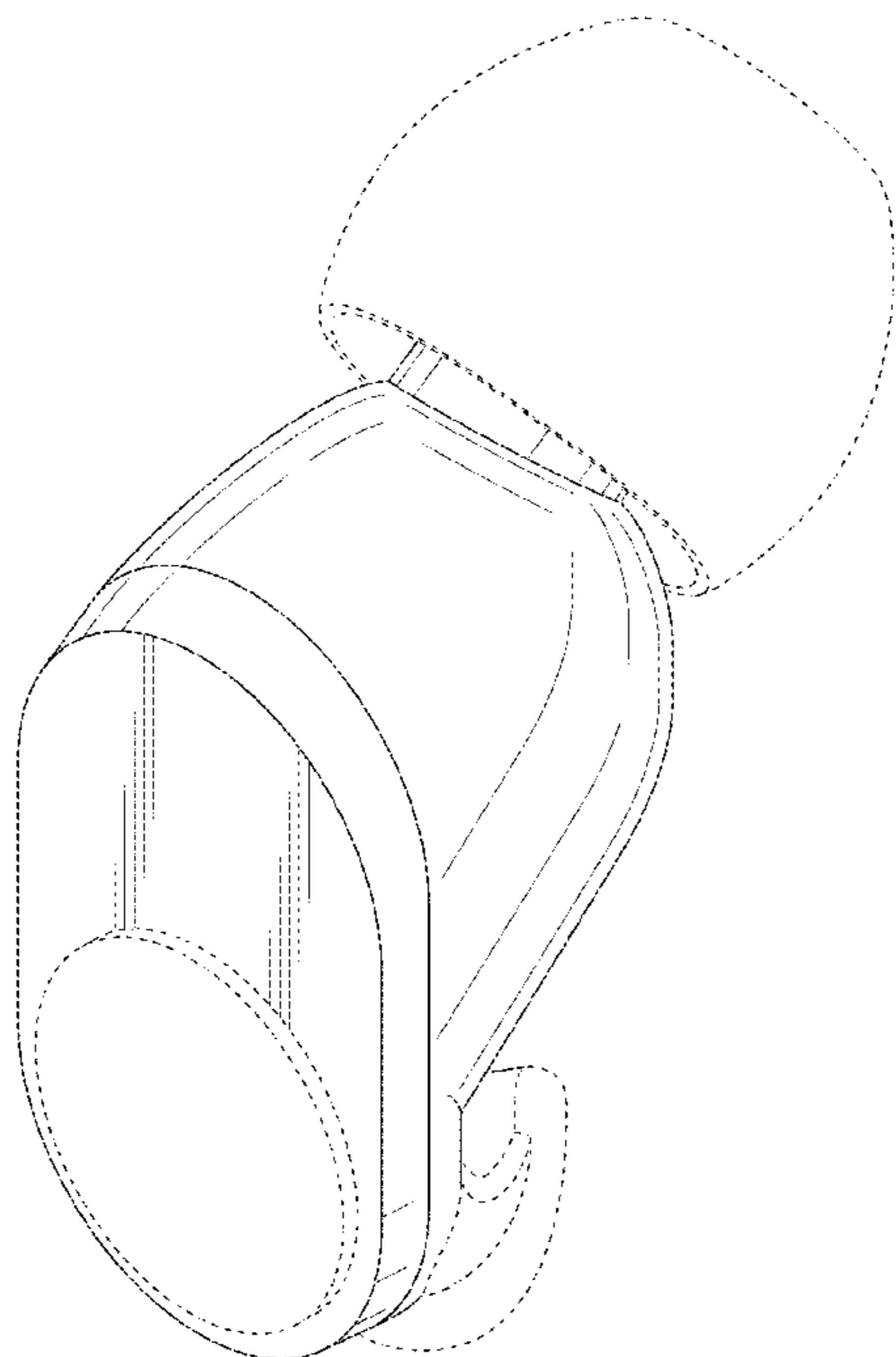


Fig. 1

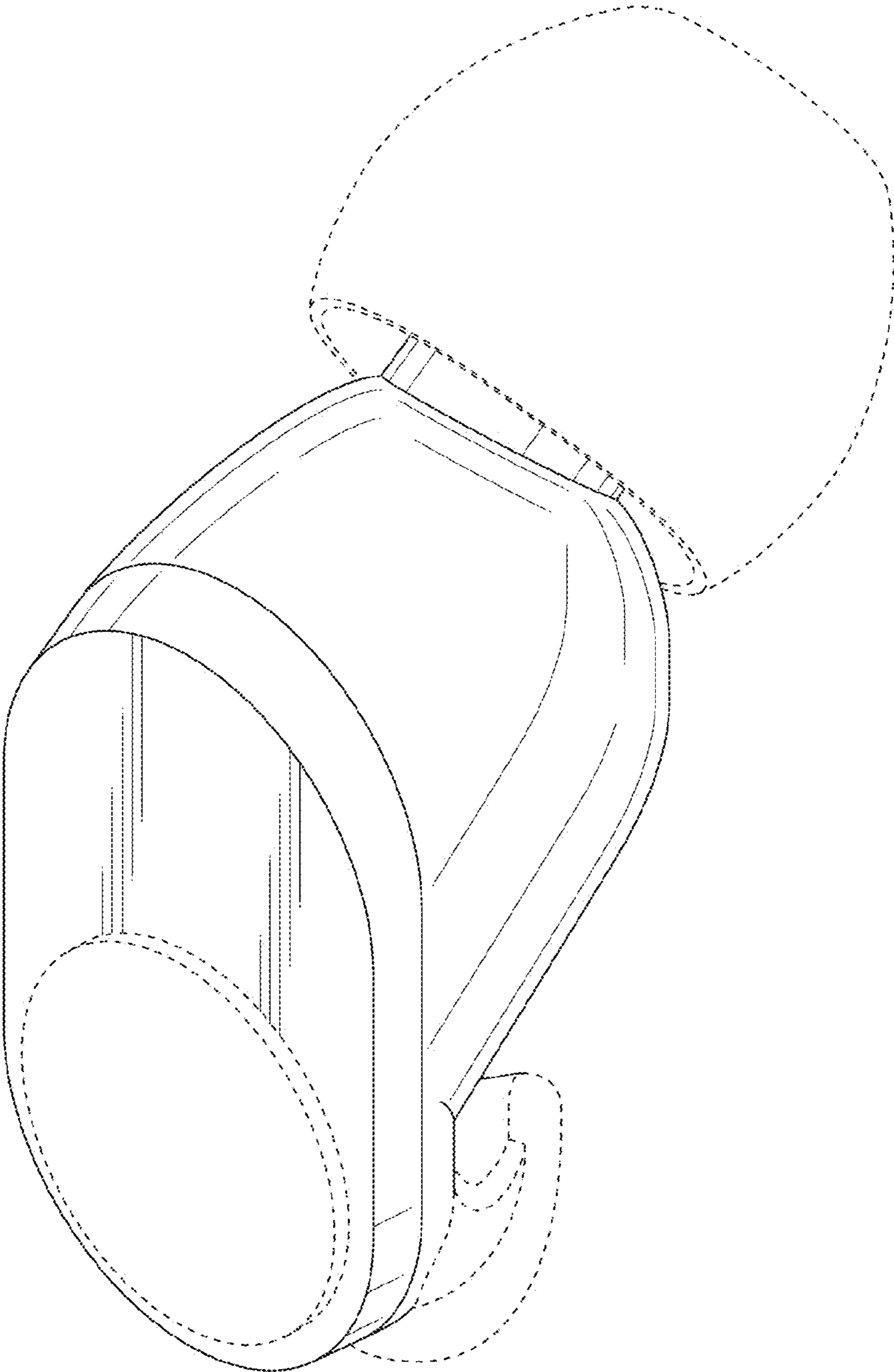


Fig. 2

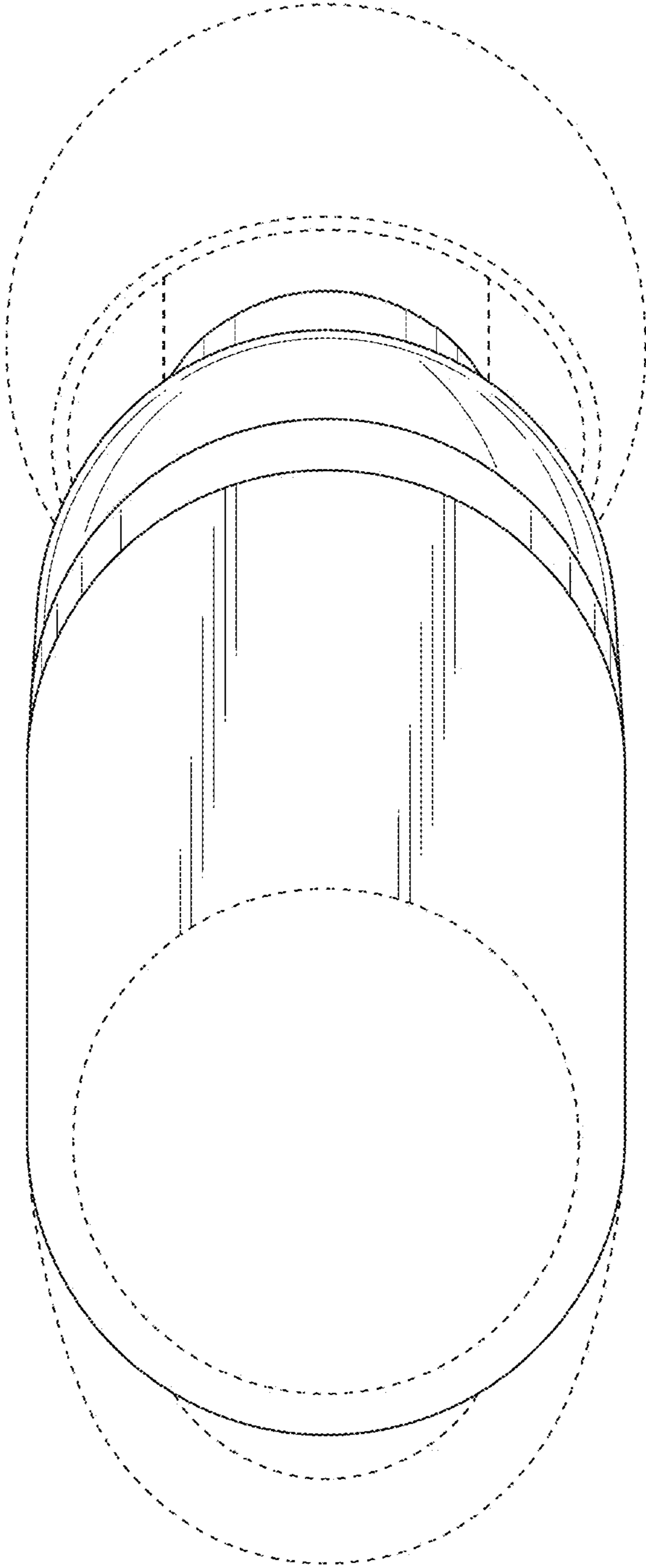


Fig. 3

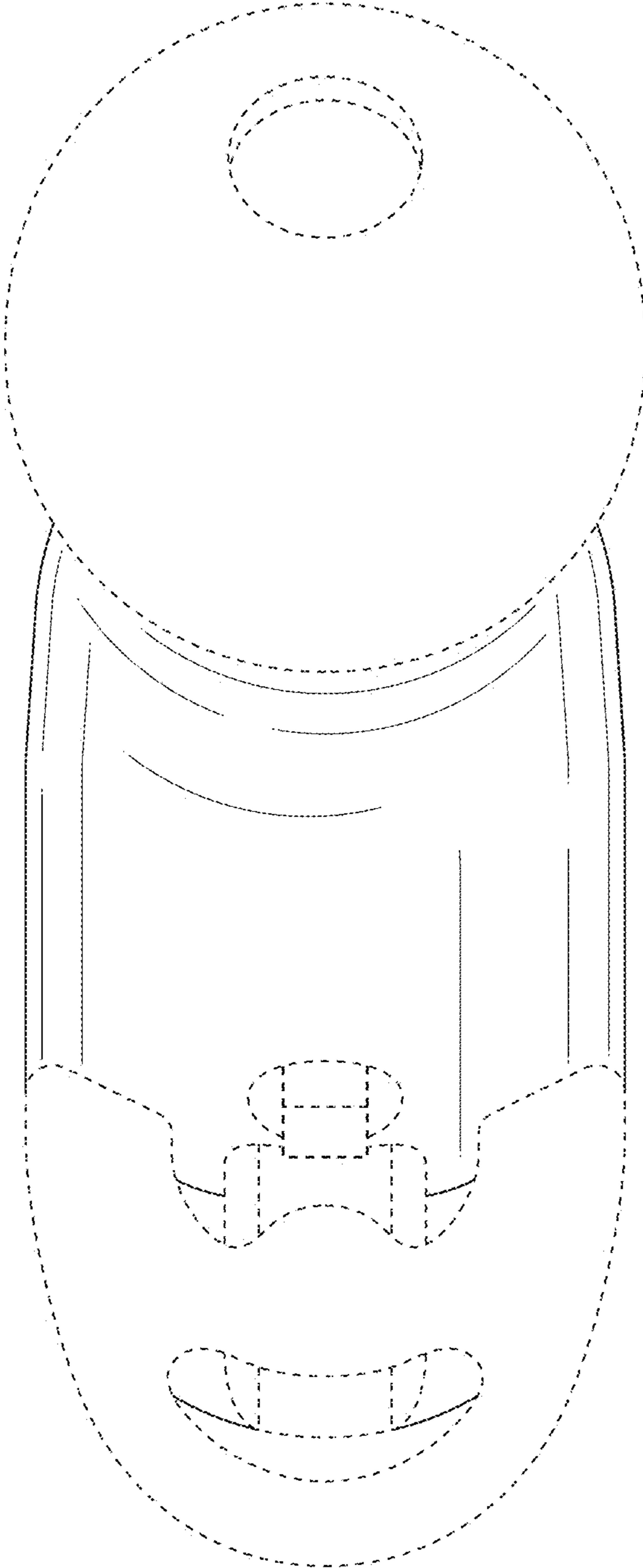


Fig. 4

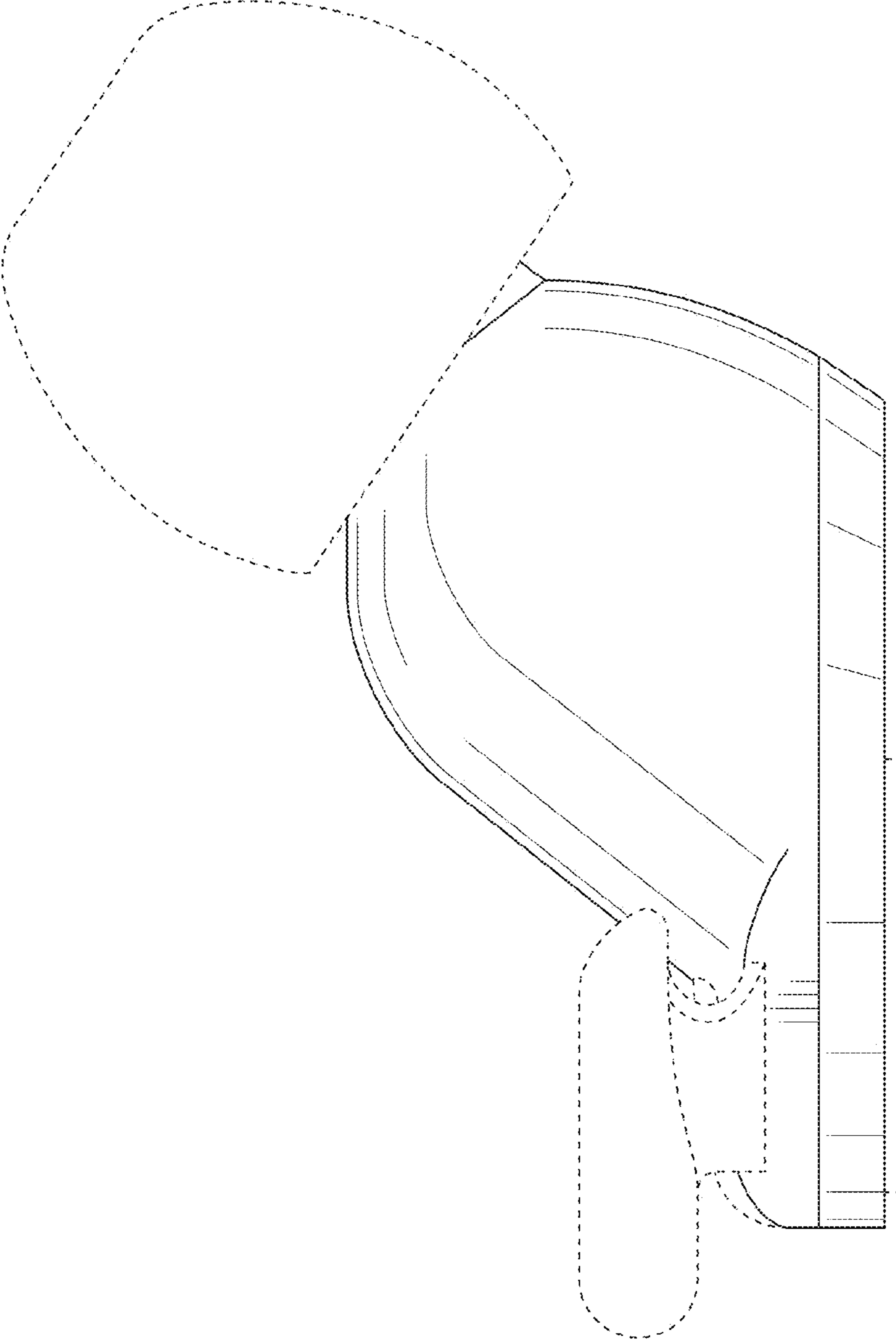


Fig. 5

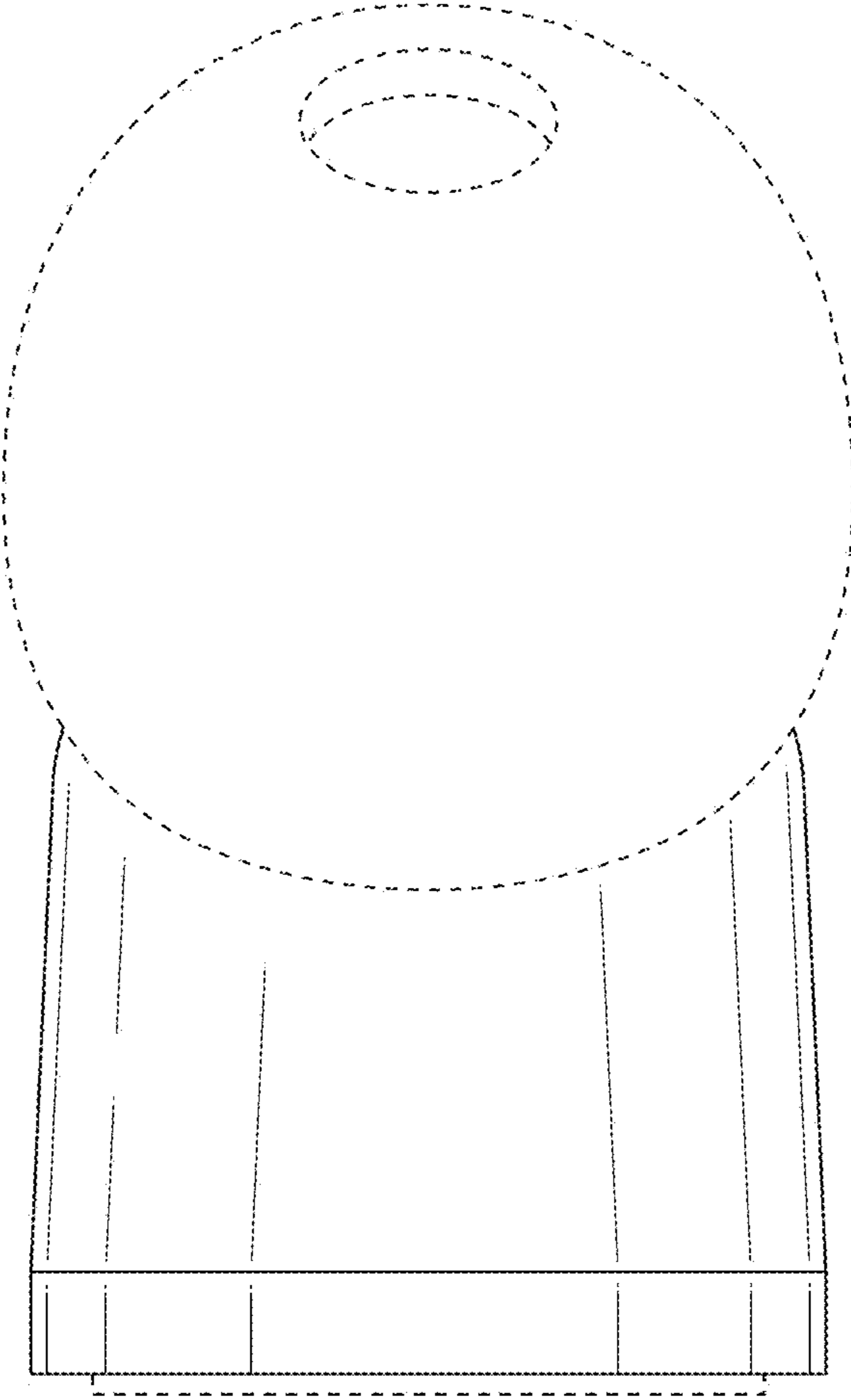


Fig. 6

