



US00D742860S

(12) **United States Design Patent**
Miyake et al.

(10) **Patent No.:** **US D742,860 S**
(45) **Date of Patent:** **** Nov. 10, 2015**

(54) **EARPHONE**

(71) Applicant: **YAMAHA CORPORATION**,
Hamamatsu-shi, Shizuoka (JP)

(72) Inventors: **Kazushige Miyake**, Tokyo (JP);
Mitsuru Hosoo, Tokyo (JP)

(73) Assignee: **YAMAHA CORPORATION**, Shizuoka
(JP)

(**) Term: **14 Years**

(21) Appl. No.: **29/509,477**

(22) Filed: **Nov. 18, 2014**

(30) **Foreign Application Priority Data**

May 19, 2014 (JP) 2014-10562

(51) **LOC (10) Cl.** **14-01**

(52) **U.S. Cl.**
USPC **D14/223**

(58) **Field of Classification Search**
USPC D14/223, 205; D24/174; 181/129, 130,
181/135; 379/430, 431; 381/380, 381
CPC H04R 1/10
See application file for complete search history.

(56) **References Cited**

U.S. PATENT DOCUMENTS

| | | | | |
|-----------|-----|---------|-------------------|---------|
| 5,410,608 | A * | 4/1995 | Lucey et al. | 381/360 |
| D430,146 | S * | 8/2000 | Lin | D14/223 |
| D482,348 | S * | 11/2003 | Villaverde et al. | D14/223 |
| D539,268 | S * | 3/2007 | Suzuki | D14/206 |
| D554,109 | S * | 10/2007 | Ledbetter et al. | D14/223 |
| D566,687 | S * | 4/2008 | Duarte et al. | D14/205 |
| D573,977 | S * | 7/2008 | Ledbetter et al. | D14/205 |
| D575,269 | S * | 8/2008 | Ledbetter et al. | D14/205 |
| D598,901 | S * | 8/2009 | Lee et al. | D14/223 |
| D599,781 | S * | 9/2009 | Lee et al. | D14/205 |

| | | | | |
|--------------|------|---------|-------------------|---------|
| D604,272 | S * | 11/2009 | Kitayama | D14/223 |
| D626,117 | S * | 10/2010 | Lowry | D14/223 |
| D679,267 | S * | 4/2013 | Lee et al. | D14/223 |
| D683,332 | S * | 5/2013 | Lee et al. | D14/223 |
| D686,597 | S * | 7/2013 | Lee et al. | D14/223 |
| D695,721 | S * | 12/2013 | Thompson et al. | D14/223 |
| D697,050 | S * | 1/2014 | Thompson et al. | D14/206 |
| 8,660,287 | B2 * | 2/2014 | Stephenson | 381/370 |
| D707,652 | S * | 6/2014 | Brunner et al. | D14/205 |
| 8,908,899 | B1 * | 12/2014 | Yang | 381/384 |
| D732,509 | S * | 6/2015 | Brunner et al. | D14/223 |
| 2011/0211723 | A1 * | 9/2011 | Annunziato et al. | 381/380 |

OTHER PUBLICATIONS

Office Action dated Nov. 28, 2014, issued by the Japanese Patent Office in counterpart Japanese Application No. 2014-010562.

* cited by examiner

Primary Examiner — Paula Greene

(74) *Attorney, Agent, or Firm* — Sughrue Mion, PLLC

(57) **CLAIM**

The ornamental design for an earphone, as shown and described.

DESCRIPTION

FIG. 1 is a perspective view of the front, bottom and left side of an earphone showing our new design;
FIG. 2 is a front view thereof;
FIG. 3 is a rear view thereof;
FIG. 4 is a left side view thereof;
FIG. 5 is a right side view thereof;
FIG. 6 is a top plan view thereof; and,
FIG. 7 is a bottom view thereof.

The broken lines shown are included for the purpose of illustrating the unclaimed portions of an earphone and form no part of the claimed design.

The dot and dashed lines mean a boundary between the claimed portion and the non-claimed portion.

1 Claim, 7 Drawing Sheets

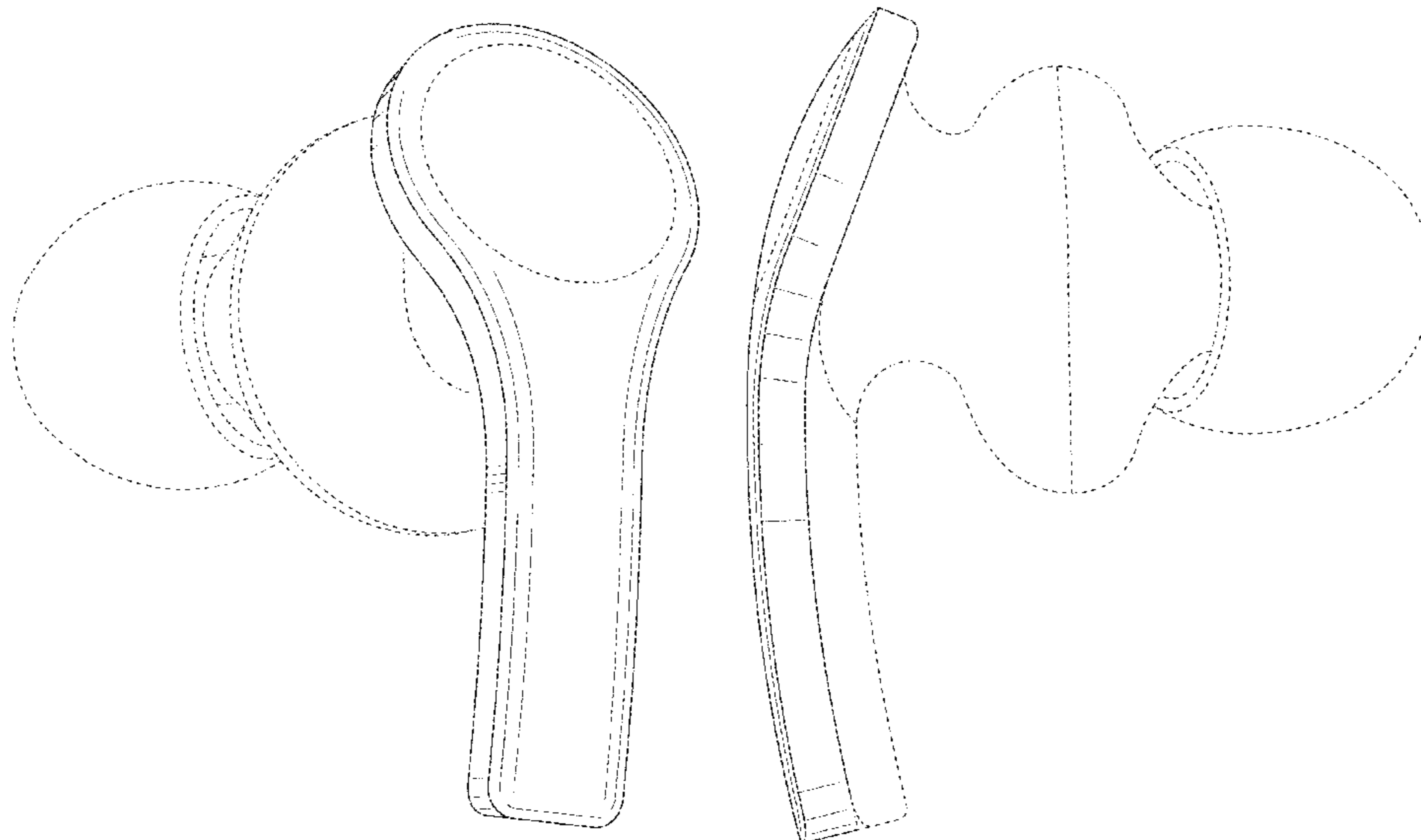


Fig. 1

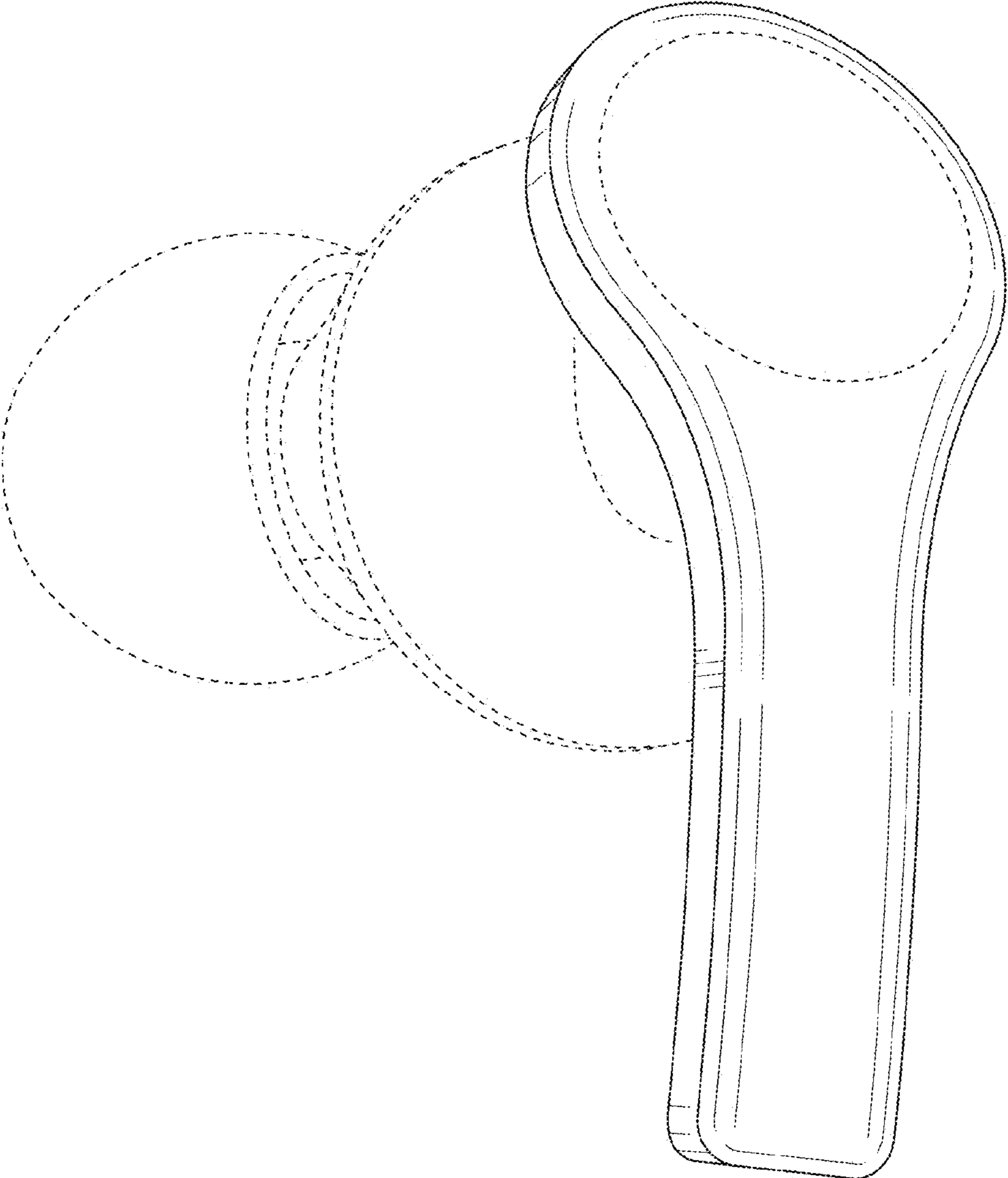


Fig. 2

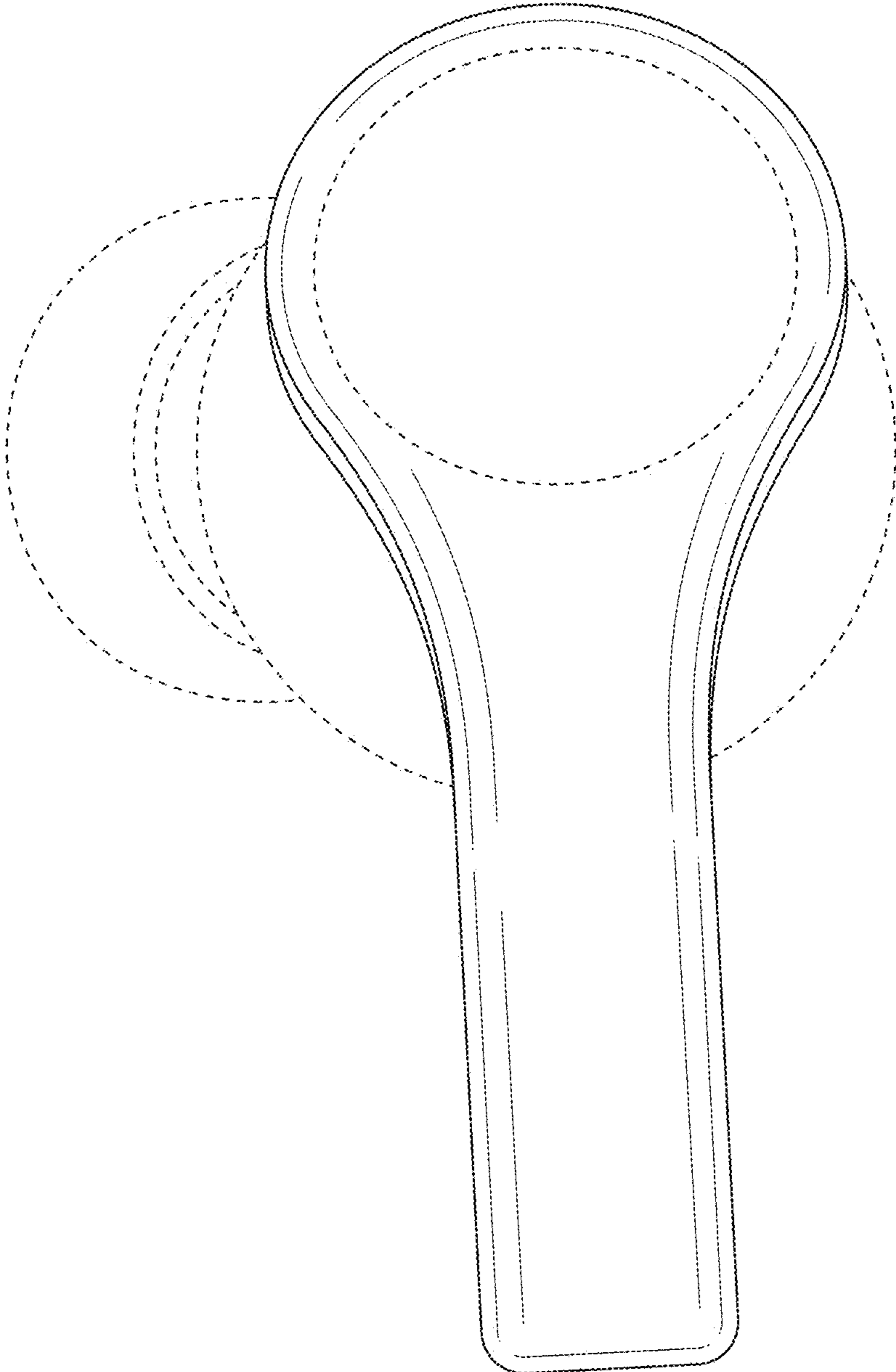


Fig. 3

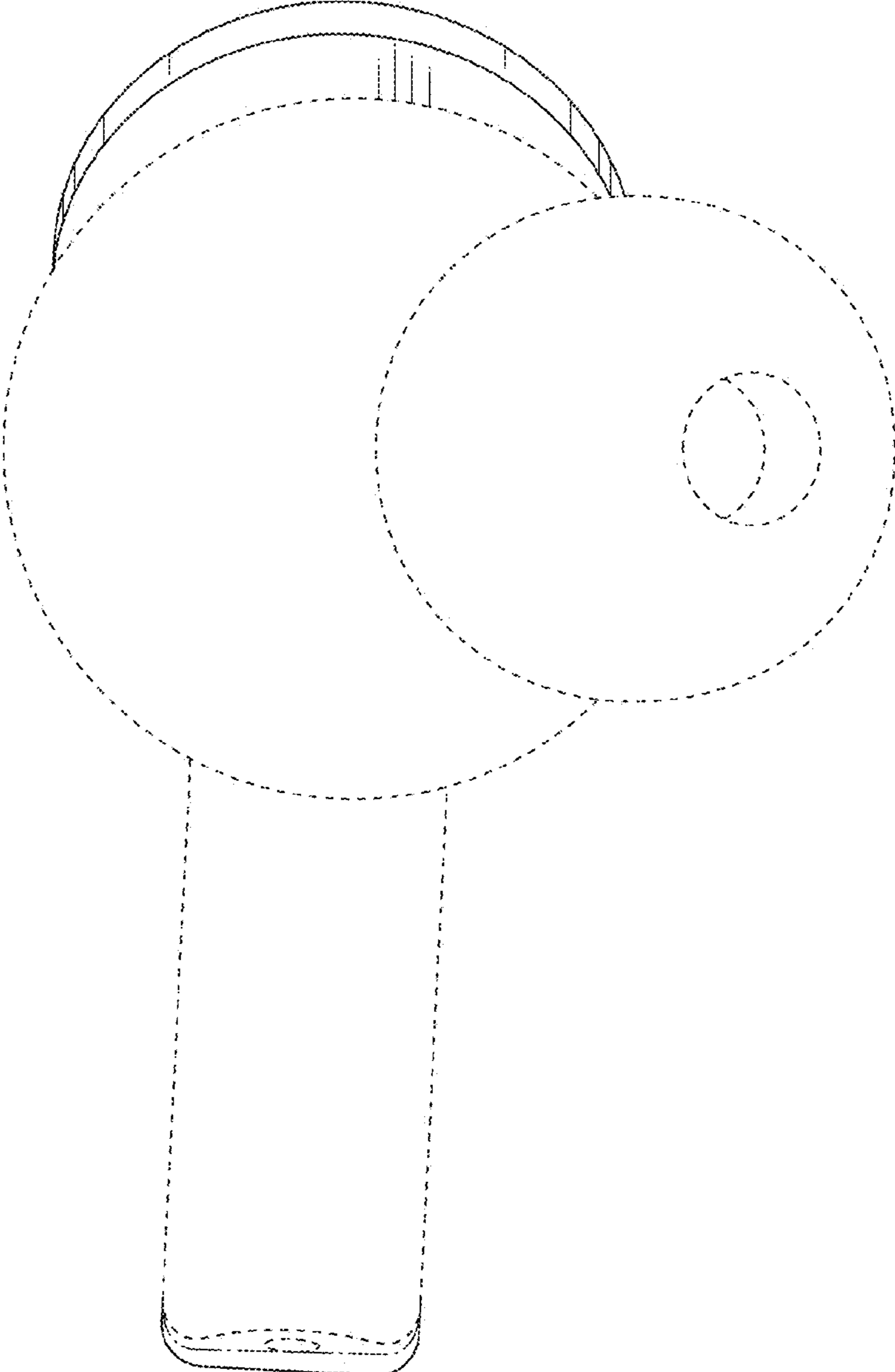


Fig. 4

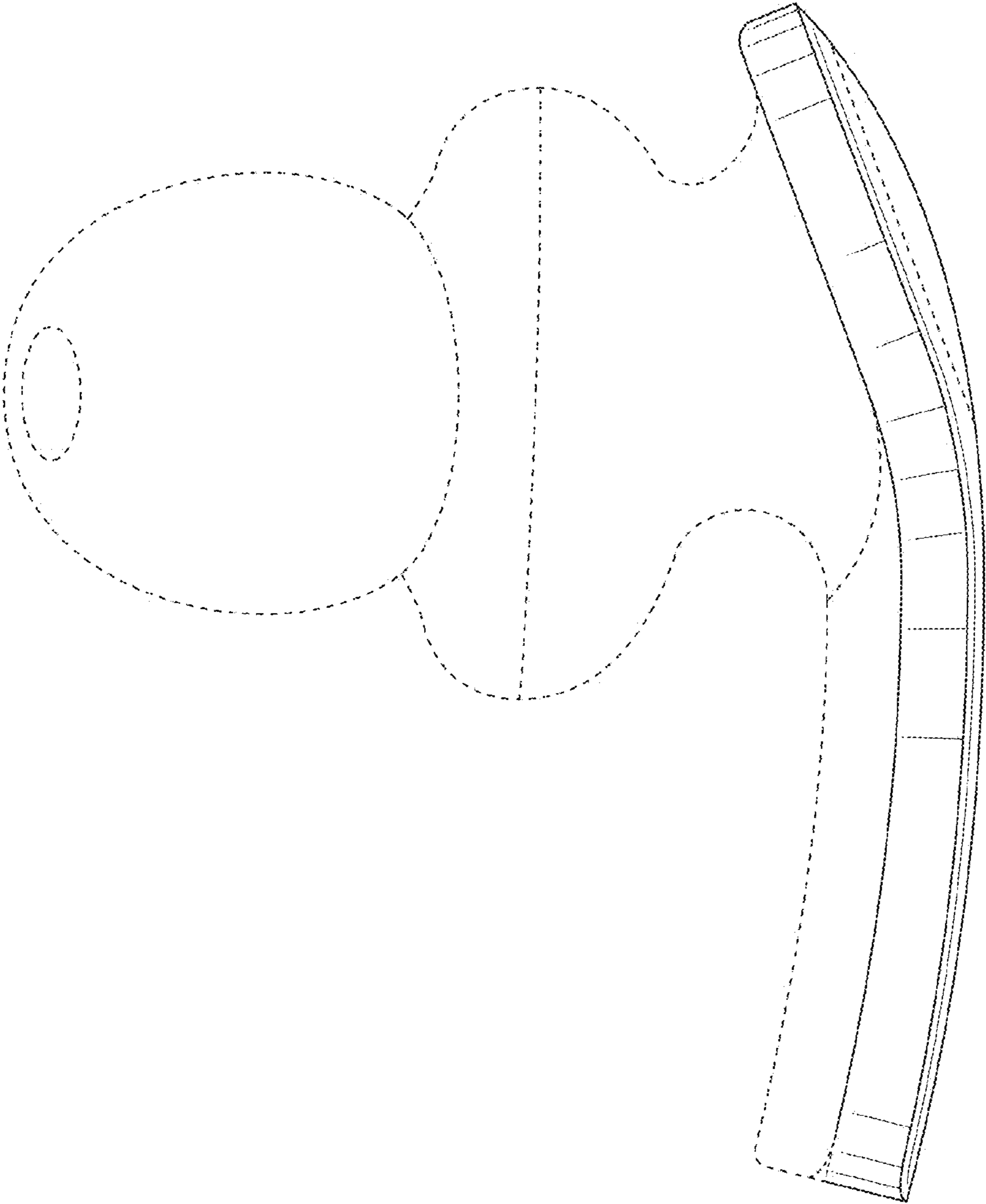


Fig. 5

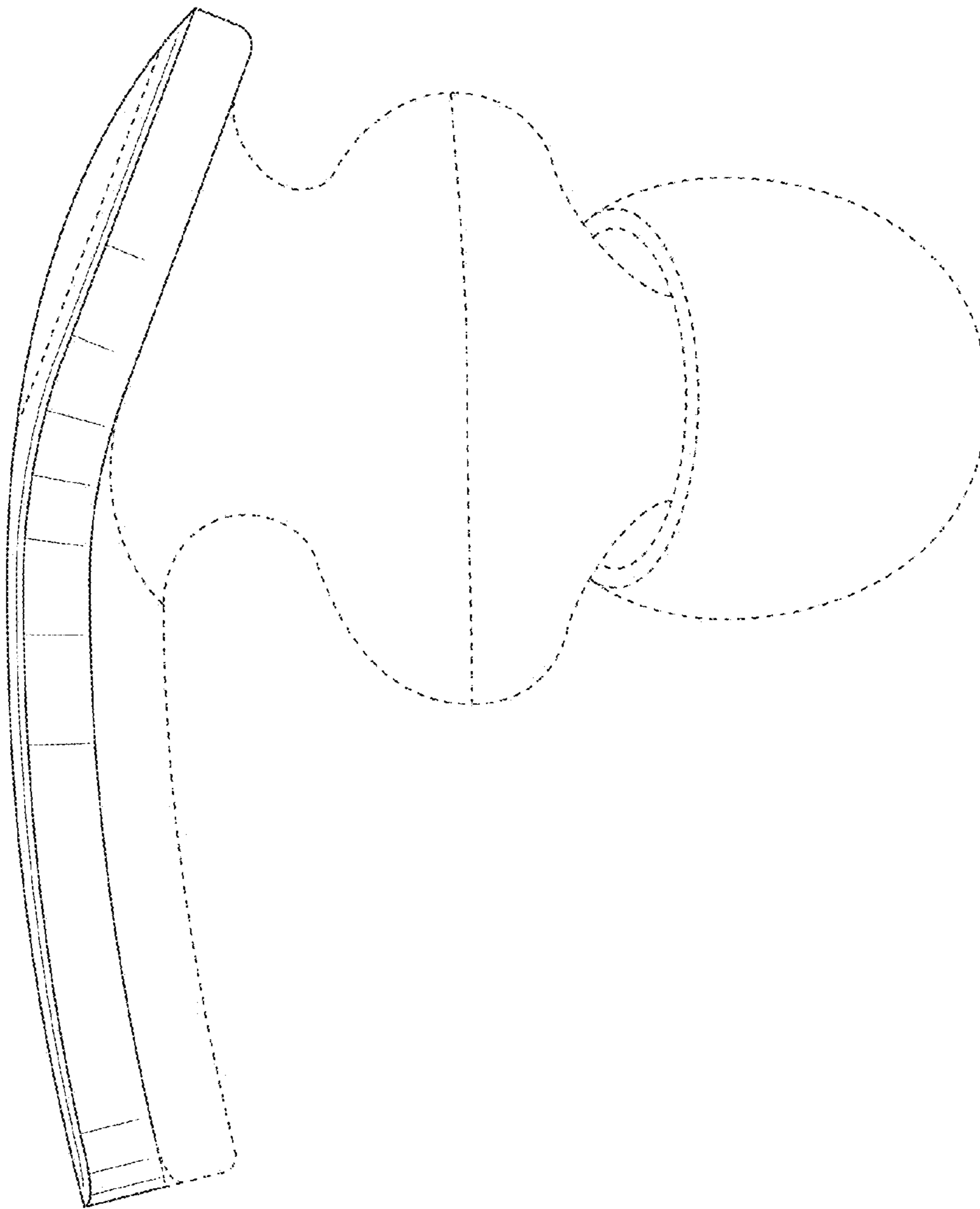


Fig. 6

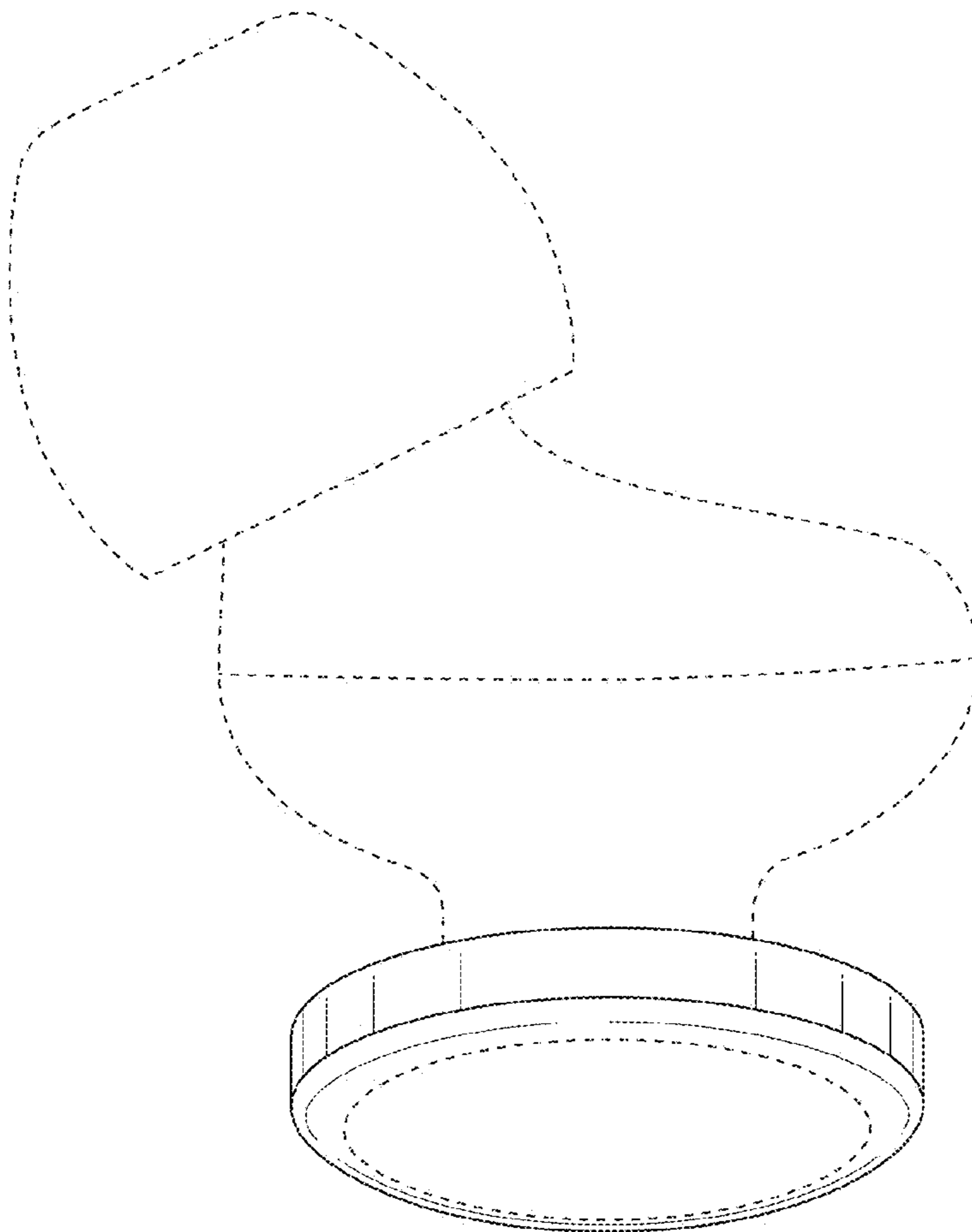


Fig. 7

