



US00D742859S

(12) **United States Design Patent**  
**Miyake et al.**

(10) **Patent No.:** **US D742,859 S**

(45) **Date of Patent:** **\*\* Nov. 10, 2015**

(54) **EARPHONE**

(71) Applicant: **YAMAHA CORPORATION**,  
Hamamatsu-shi, Shizuoka (JP)

(72) Inventors: **Kazushige Miyake**, Tokyo (JP);  
**Mitsuru Hosoo**, Tokyo (JP)

(73) Assignee: **YAMAHA CORPORATION**, Shizuoka  
(JP)

(\*\*) Term: **14 Years**

(21) Appl. No.: **29/509,466**

(22) Filed: **Nov. 18, 2014**

(30) **Foreign Application Priority Data**

May 19, 2014 (JP) ..... 2014-10563

(51) **LOC (10) Cl.** ..... **14-01**

(52) **U.S. Cl.**  
USPC ..... **D14/223**

(58) **Field of Classification Search**  
USPC ..... D14/223, 205; D24/174; 181/129, 130,  
181/135; 379/430, 431; 381/380, 381  
CPC ..... H04R 1/10  
See application file for complete search history.

(56) **References Cited**

**U.S. PATENT DOCUMENTS**

5,410,608	A *	4/1995	Lucey et al.	.....	381/360
D430,146	S *	8/2000	Lin	.....	D14/223
D482,348	S *	11/2003	Villaverde et al.	.....	D14/223
D539,268	S *	3/2007	Suzuki	.....	D14/206
D554,109	S *	10/2007	Ledbetter et al.	.....	D14/223
D566,687	S *	4/2008	Duarte et al.	.....	D14/205

D573,977	S *	7/2008	Ledbetter et al.	.....	D14/205
D575,269	S *	8/2008	Ledbetter et al.	.....	D14/205
D598,901	S *	8/2009	Lee et al.	.....	D14/223
D599,781	S *	9/2009	Lee et al.	.....	D14/205
D604,272	S *	11/2009	Kitayama	.....	D14/223
D626,117	S *	10/2010	Lowry	.....	D14/223
D679,267	S *	4/2013	Lee et al.	.....	D14/223
D683,332	S *	5/2013	Lee et al.	.....	D14/223
D686,597	S *	7/2013	Lee et al.	.....	D14/223
D695,721	S *	12/2013	Thompson et al.	.....	D14/223
D697,050	S *	1/2014	Thompson et al.	.....	D14/206
8,712,087	B2 *	4/2014	Ozawa	.....	381/380
D707,652	S *	6/2014	Brunner et al.	.....	D14/205
8,908,899	B1 *	12/2014	Yang	.....	381/384
D732,509	S *	6/2015	Brunner et al.	.....	D14/223
2011/0211723	A1 *	9/2011	Annunziato et al.	.....	381/380

\* cited by examiner

*Primary Examiner* — Paula Greene

(74) *Attorney, Agent, or Firm* — Sughrue Mion, PLLC

(57) **CLAIM**

The ornamental design for an earphone, as shown and described.

**DESCRIPTION**

FIG. 1 is a perspective view of the front, bottom and left side of an earphone showing our new design;  
FIG. 2 is a front view thereof;  
FIG. 3 is a rear view thereof;  
FIG. 4 is a left side view thereof;  
FIG. 5 is a right side view thereof;  
FIG. 6 is a top plan view thereof; and,  
FIG. 7 is a bottom view thereof.

The broken lines shown are included for the purpose of illustrating the unclaimed portions of an earphone and form no part of the claimed design.

**1 Claim, 7 Drawing Sheets**

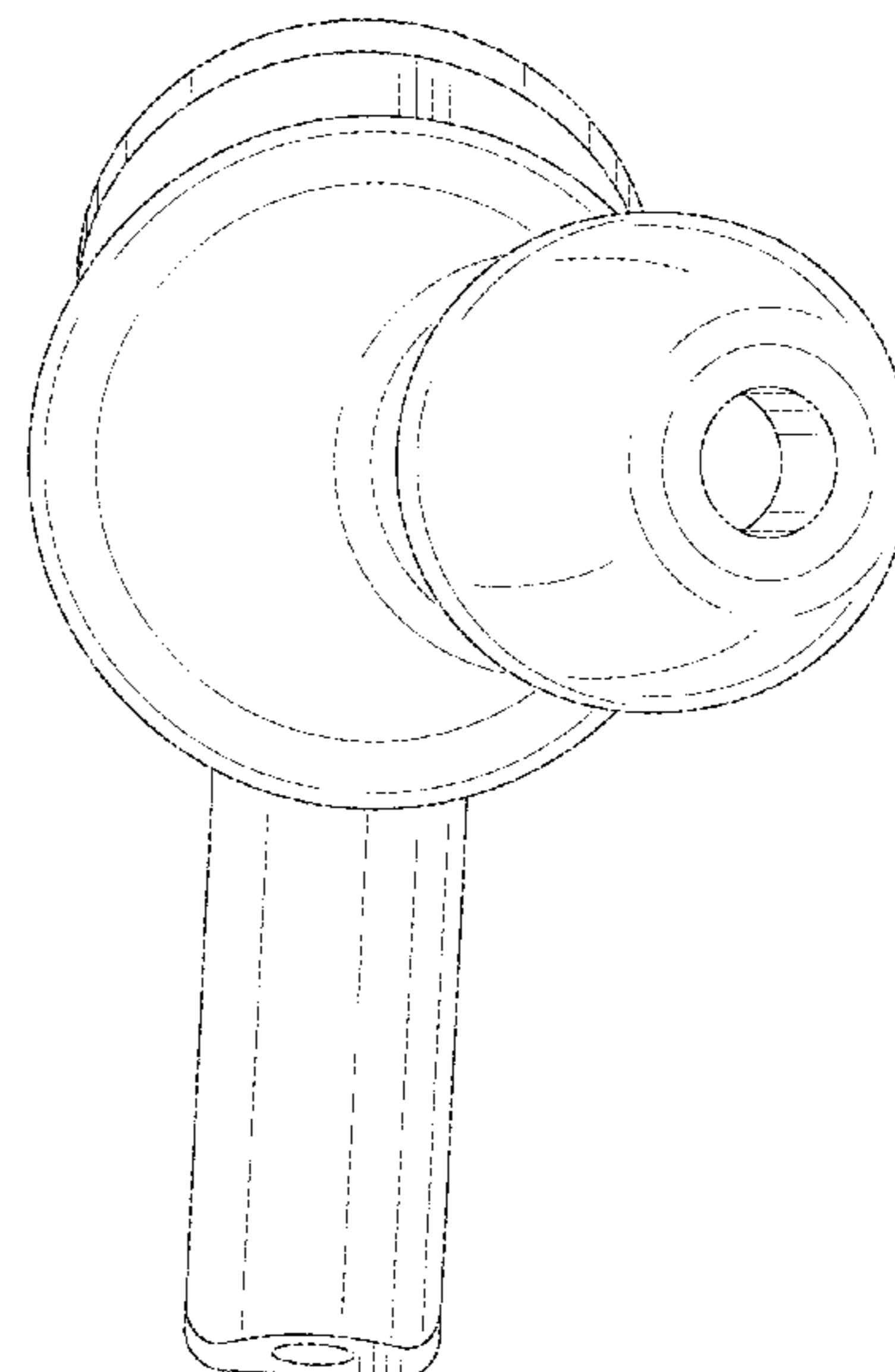
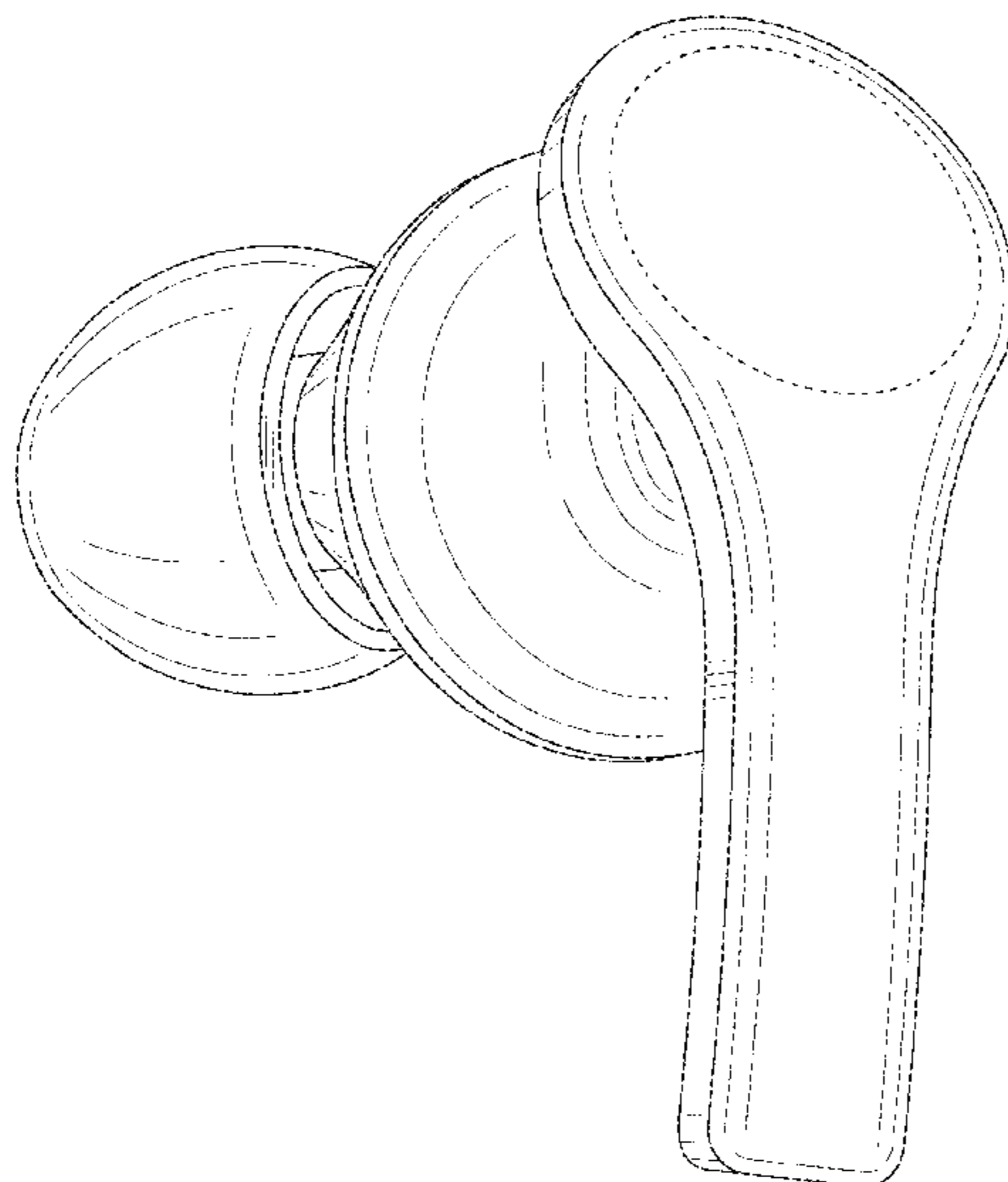


Fig. 1

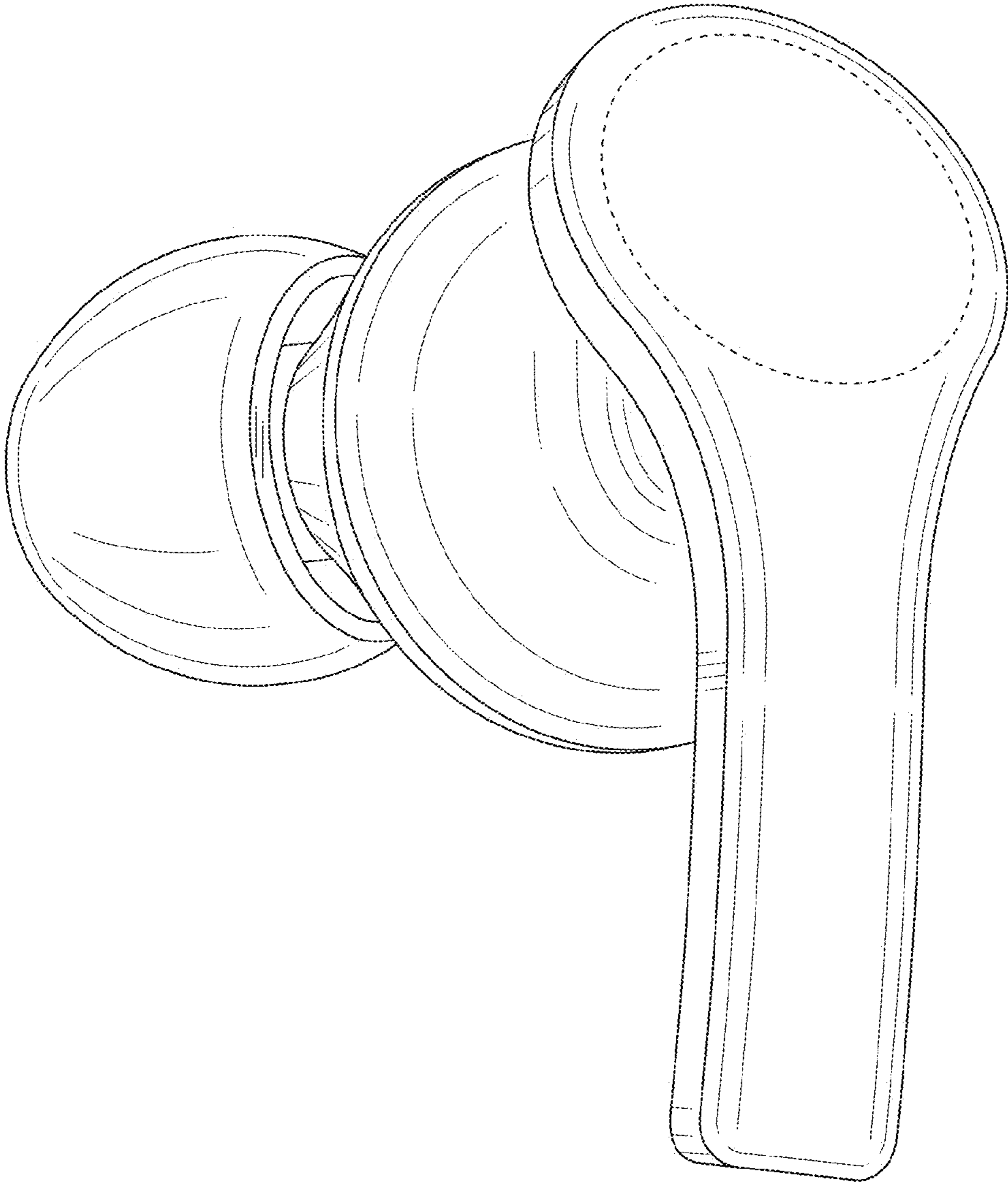


Fig. 2

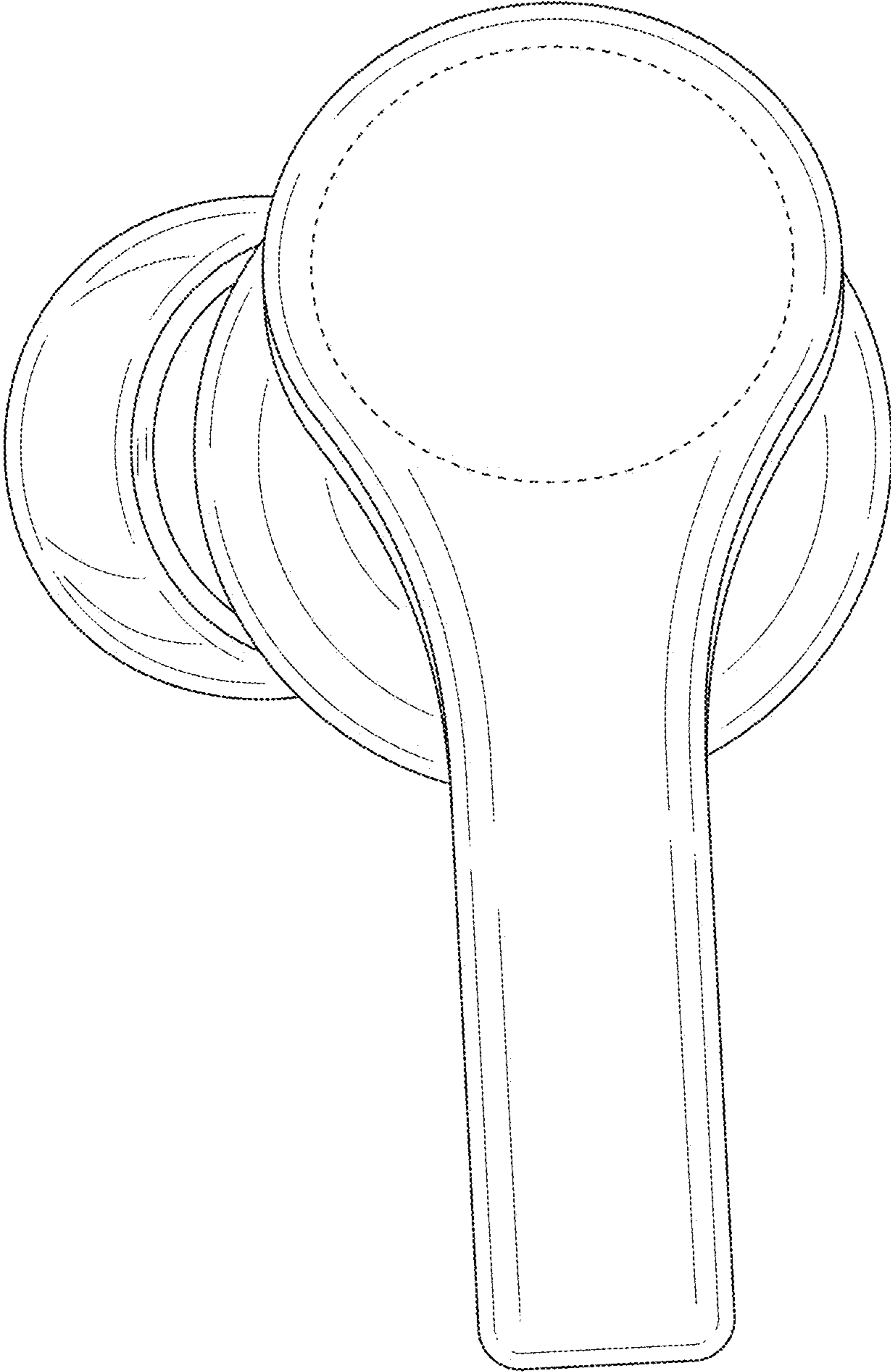


Fig. 3

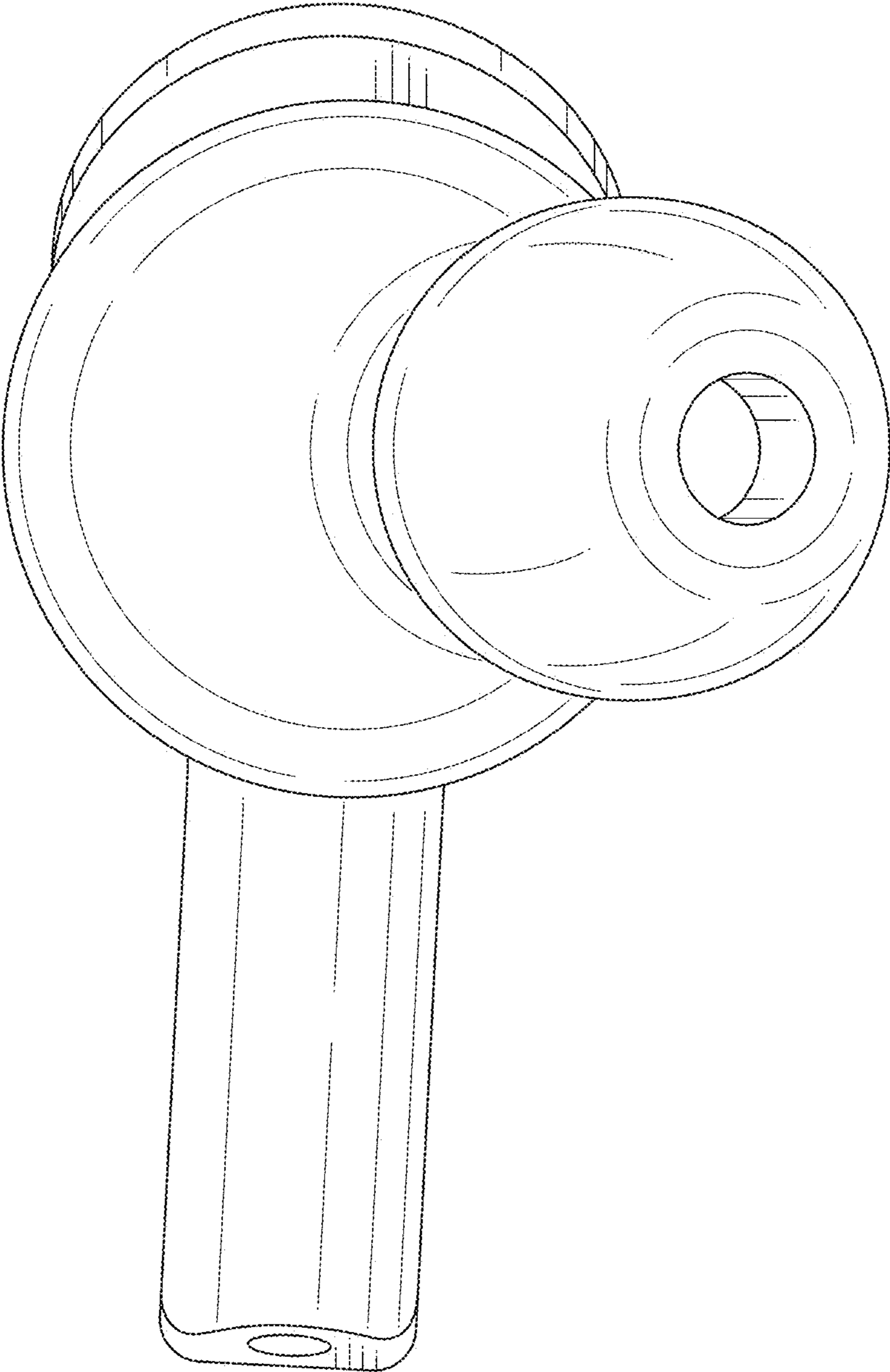


Fig. 4

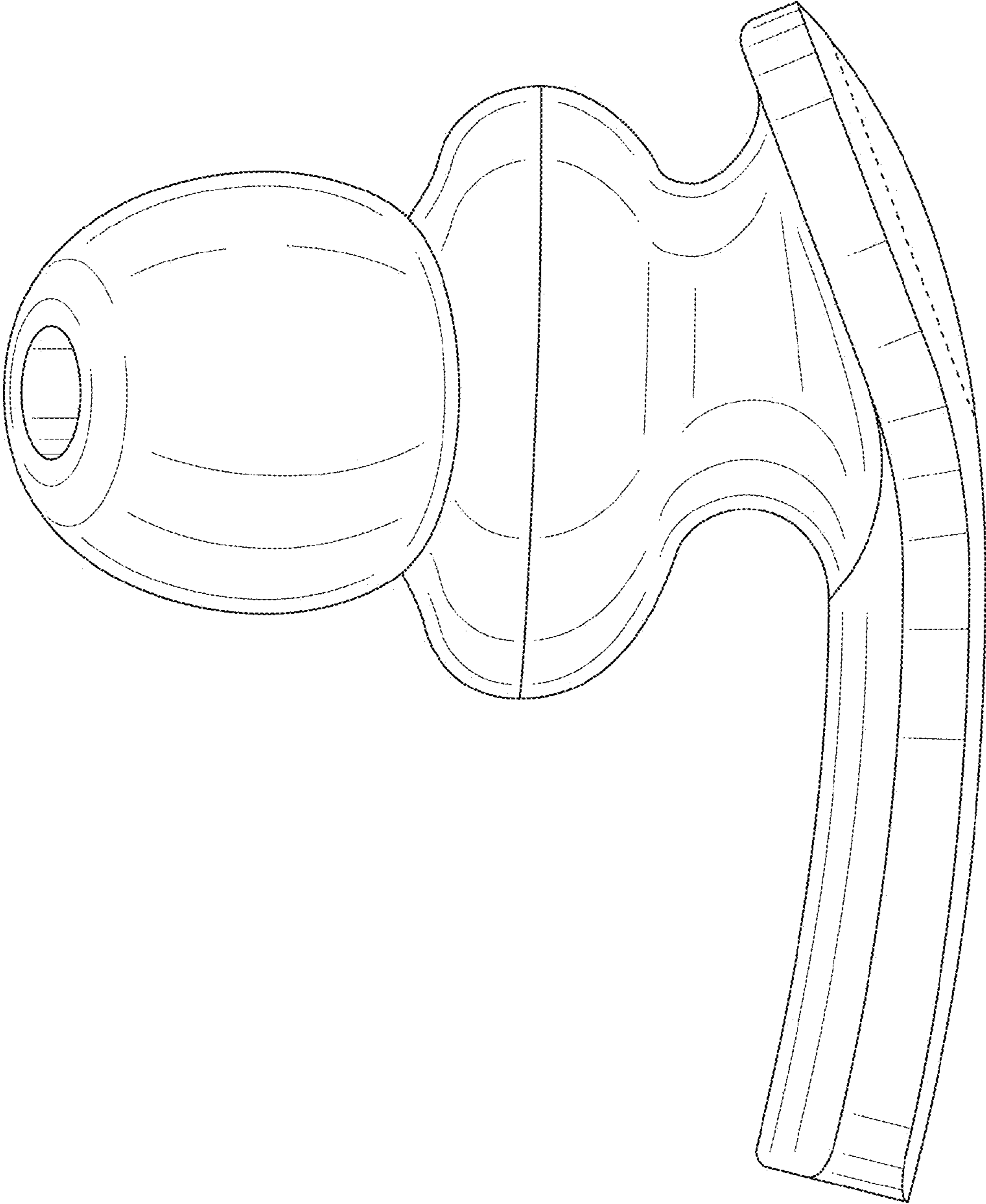




Fig. 5

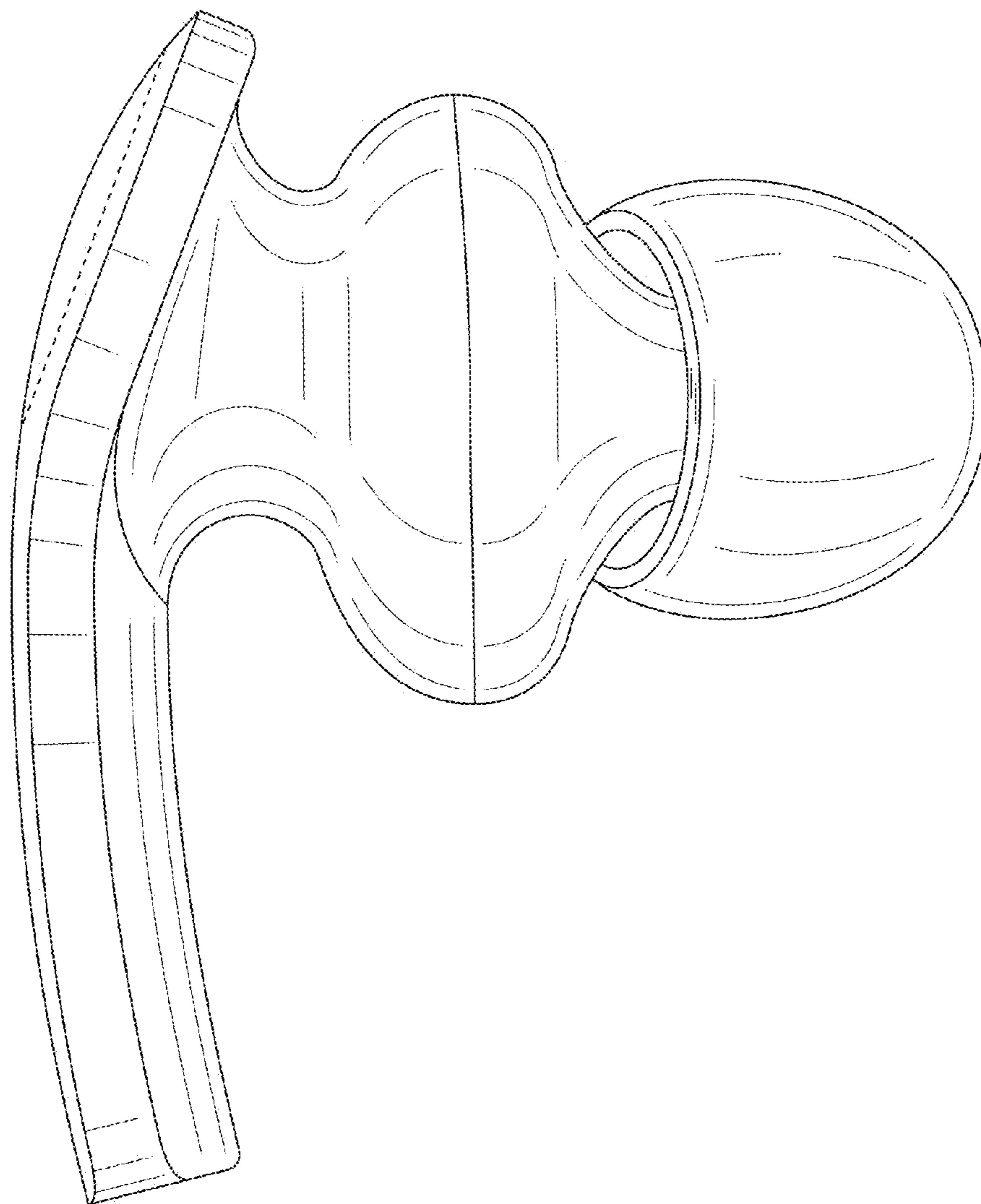


Fig. 6

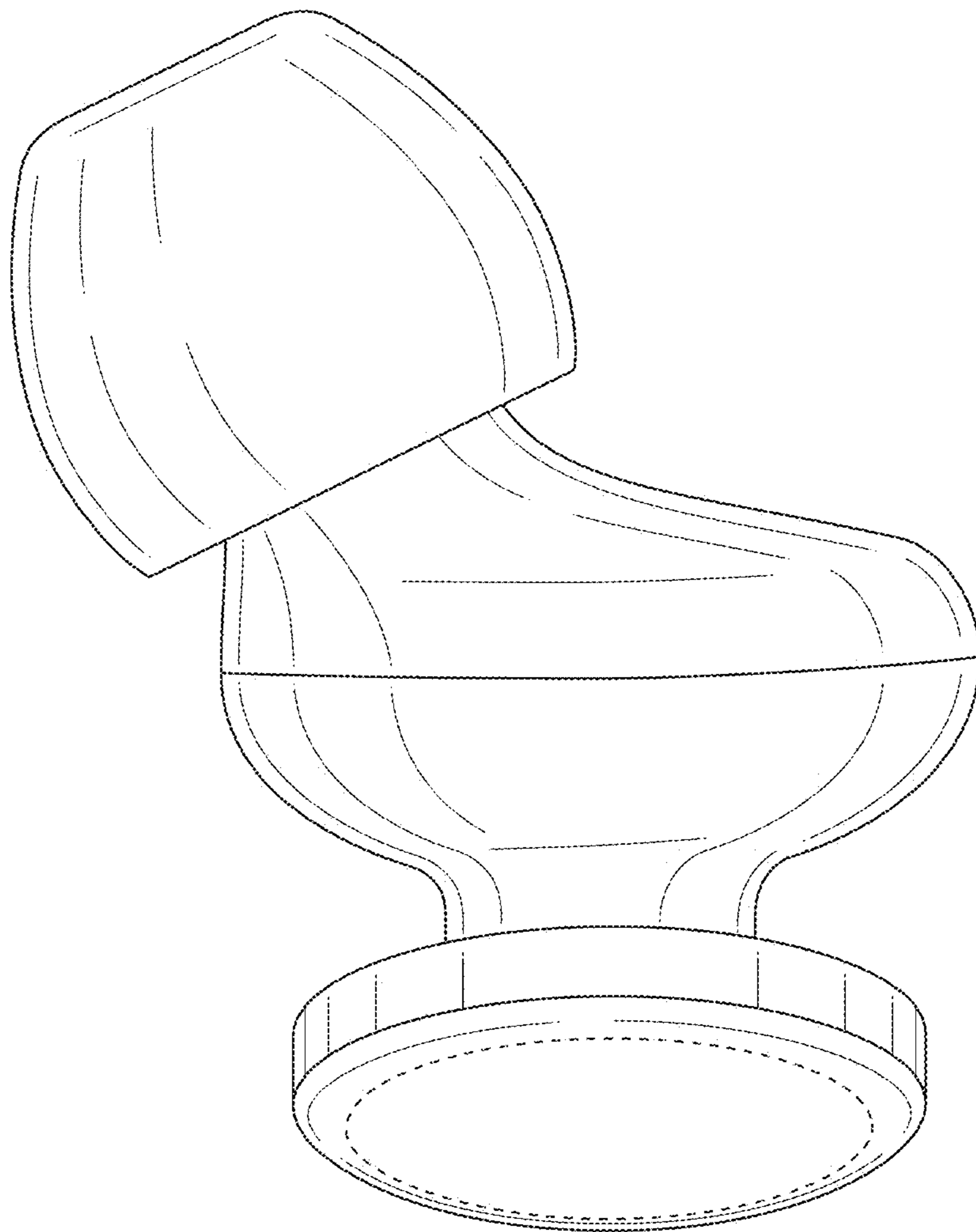


Fig. 7

