



US00D742853S

(12) **United States Design Patent**
Ugгла

(10) **Patent No.:** **US D742,853 S**

(45) **Date of Patent:** **** Nov. 10, 2015**

(54) **LOUDSPEAKER**

(56) **References Cited**

(71) Applicant: **Zound Industries International AB**,
Stockholm (SE)

(72) Inventor: **Carl Johan Ugгла**, Stockholm (SE)

(73) Assignee: **Zound Industries International AB**,
Stockholm (SE)

(**) Term: **14 Years**

(21) Appl. No.: **29/487,342**

(22) Filed: **Apr. 8, 2014**

(30) **Foreign Application Priority Data**

Mar. 12, 2014 (EM) 002423681

(51) **LOC (10) Cl.** **14-01**

(52) **U.S. Cl.**
USPC **D14/209.1**

(58) **Field of Classification Search**
USPC D14/204, 209.1, 211, 217, 221, 224,
D14/224.1, 225, 227, 228; 181/143, 147,
181/148, 150, 153, 157, 198, 199, 166,
181/144; 381/300-303, 306, 332, 333, 336,
381/345, 361-364, 370, 386-388
CPC H01R 9/06; H01R 1/24; H01R 11/02;
H01R 2400/00

See application file for complete search history.

U.S. PATENT DOCUMENTS

4,031,318 A *	6/1977	Pitre	381/386
6,035,962 A *	3/2000	Lin	181/199
D538,264 S *	3/2007	Peersman	D14/209.1
D565,594 S *	4/2008	Poandl	D14/496
D577,743 S *	9/2008	Liu	D14/496
7,463,556 B2 *	12/2008	Hocherman	368/74
D639,274 S *	6/2011	Garrett	D14/209.1
D695,269 S *	12/2013	Carpenter et al.	D14/210
D700,527 S *	3/2014	Garrett	D10/2
D710,332 S *	8/2014	Baird et al.	D14/221

* cited by examiner

Primary Examiner — Prabhakar Deshmukh
(74) *Attorney, Agent, or Firm* — Capitol City TechLaw

(57) **CLAIM**
The ornamental design for a loudspeaker, as shown and described.

DESCRIPTION

FIG. 1 is a front, top and left side perspective view of a loudspeaker showing my new design;
FIG. 2 is a front view thereof;
FIG. 3 is a rear view thereof;
FIG. 4 is a right side view thereof;
FIG. 5 is a left side view thereof;
FIG. 6 is a top view thereof; and,
FIG. 7 is a bottom view thereof.
The broken lines shown in FIG. 7 are included for the purpose of illustrating portions of the loudspeaker that form no part of the claimed design.

1 Claim, 7 Drawing Sheets

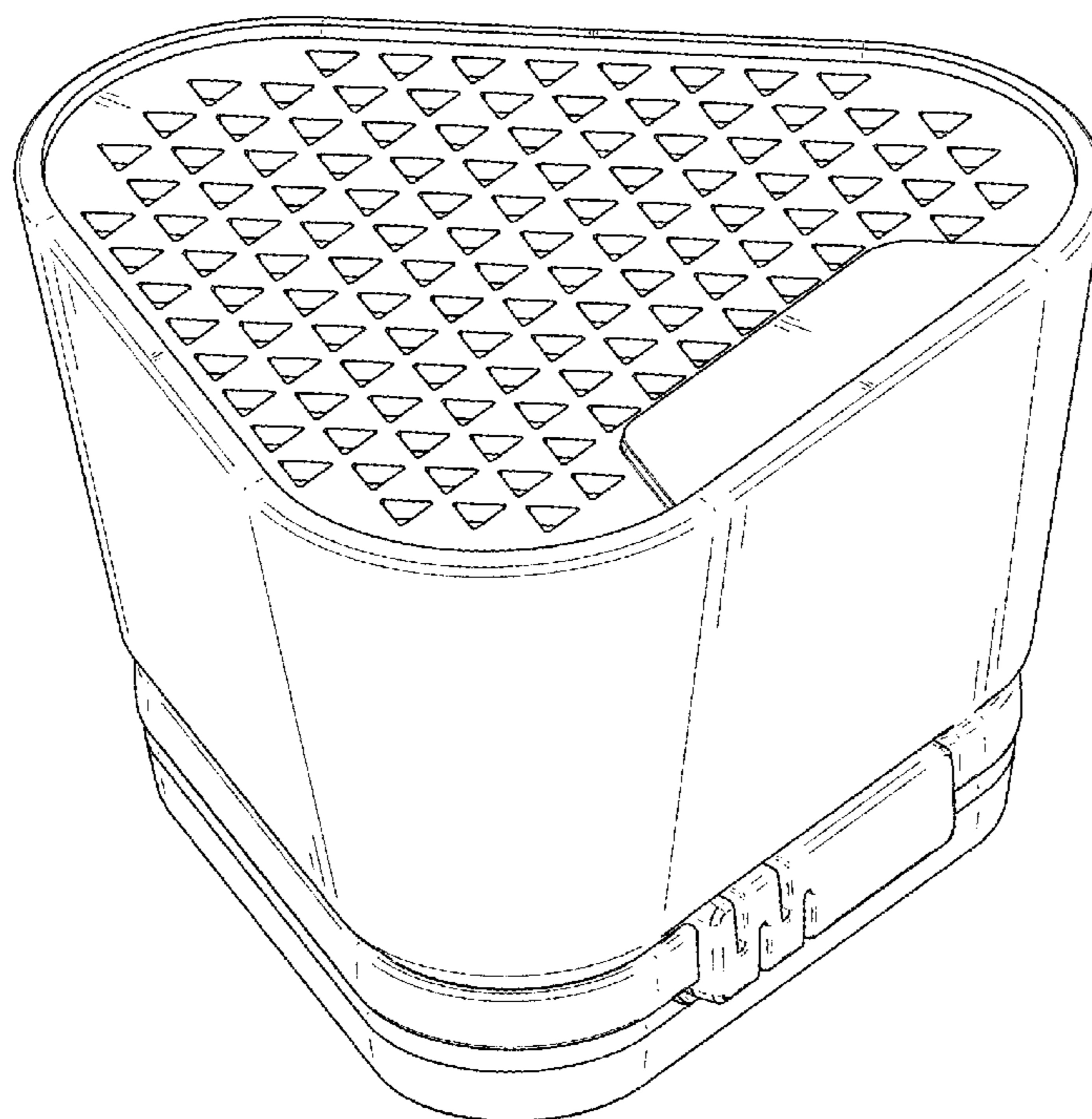


Fig. 1

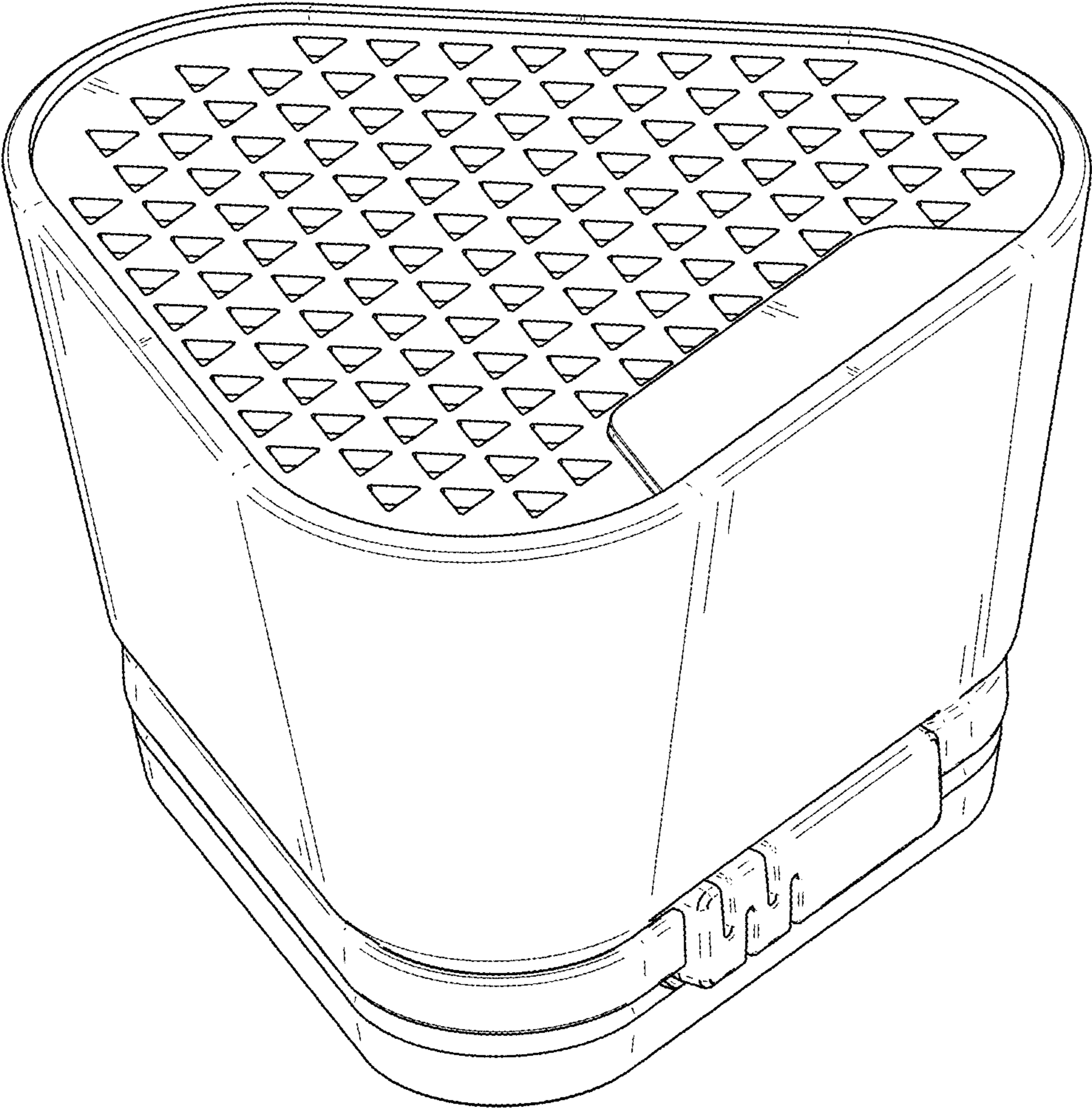


Fig. 2

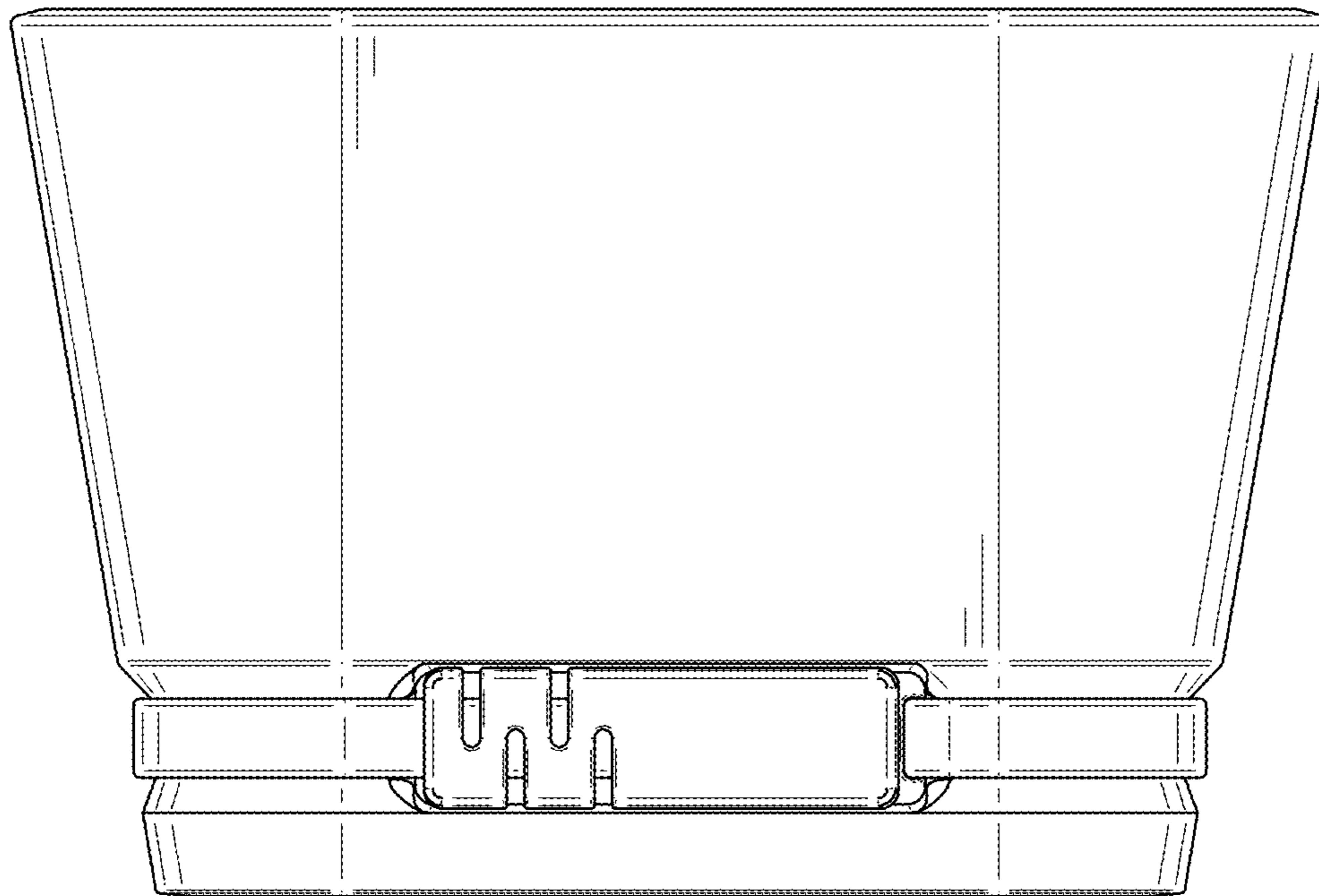


Fig. 3

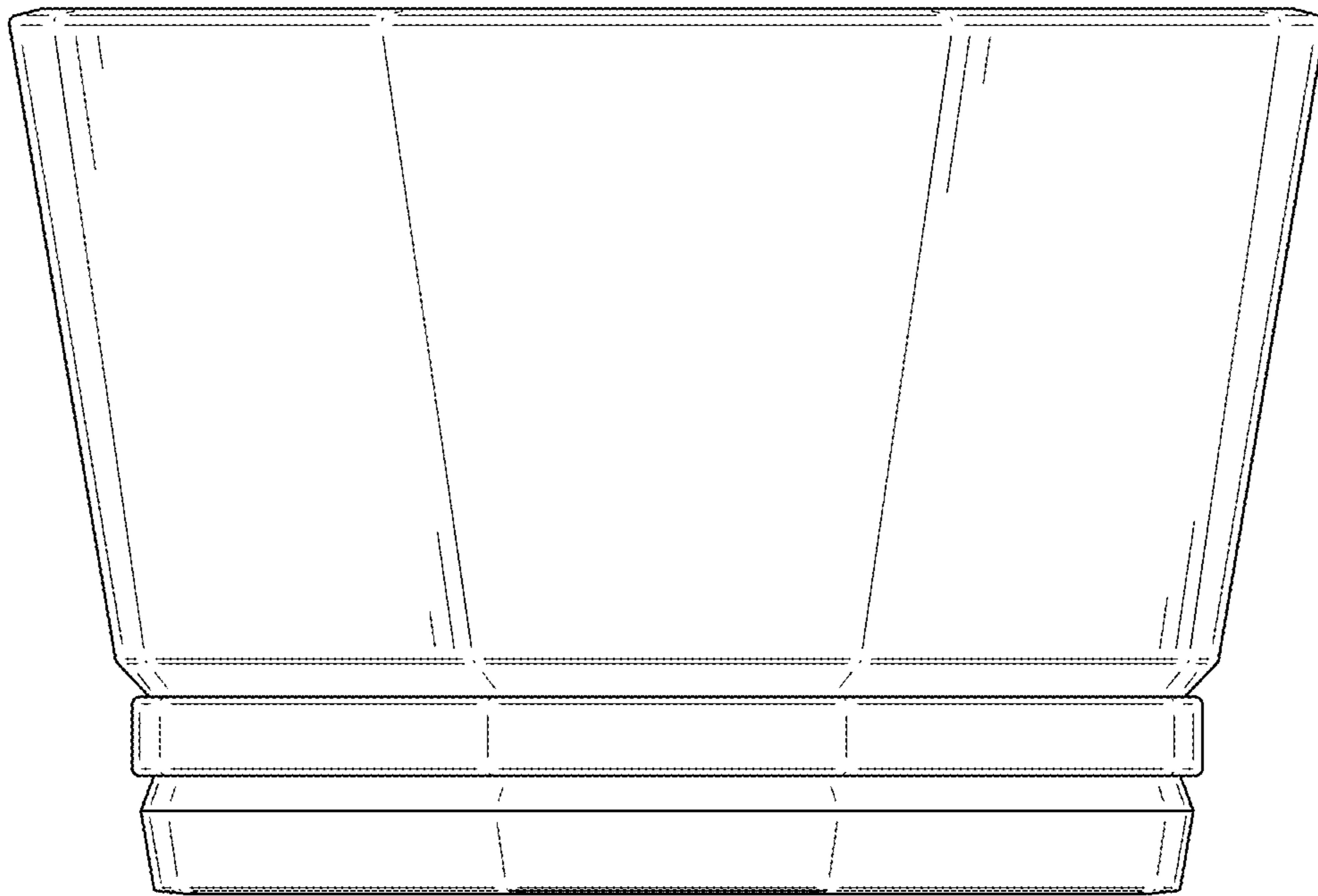


Fig. 4

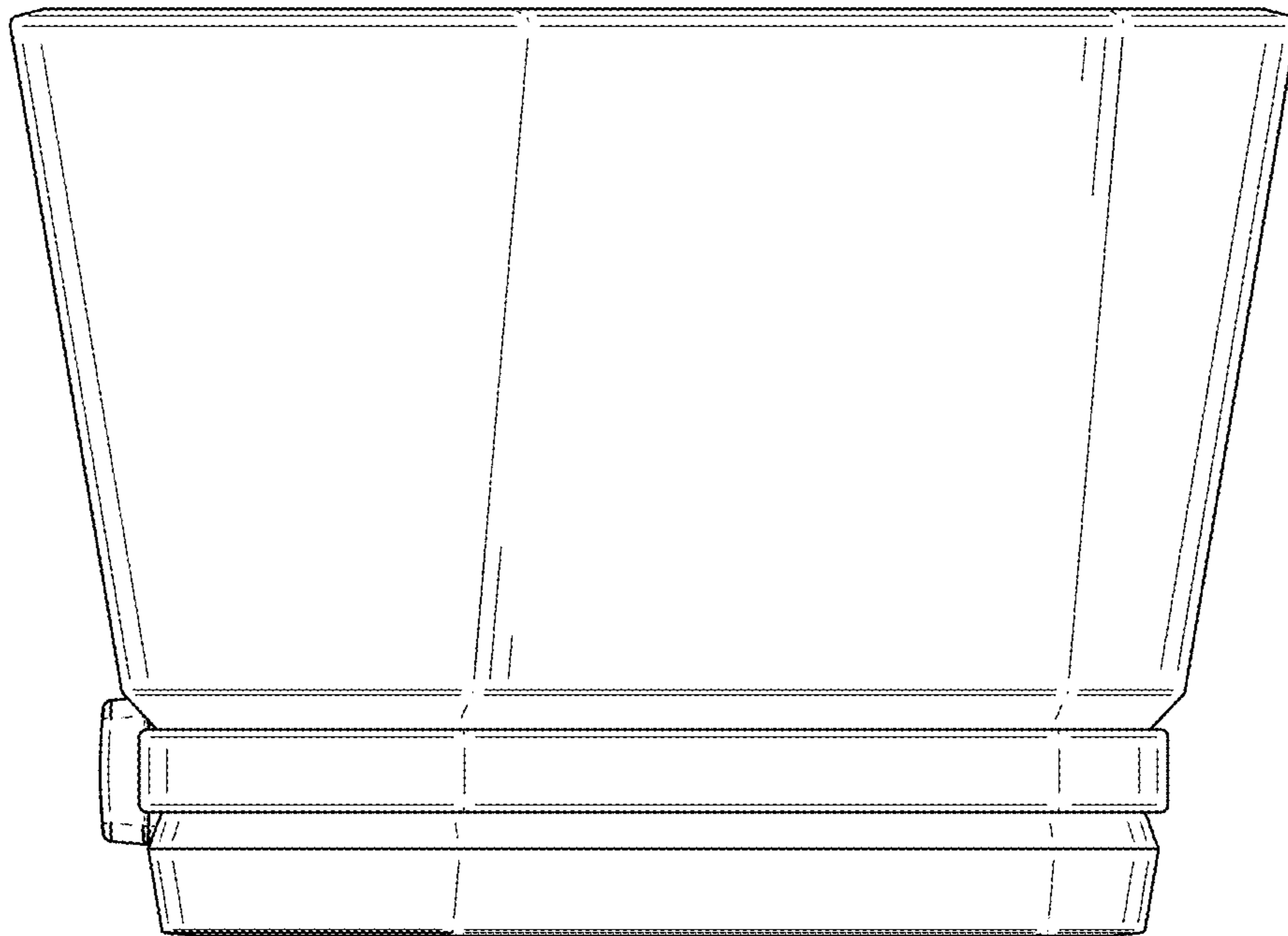


Fig. 5

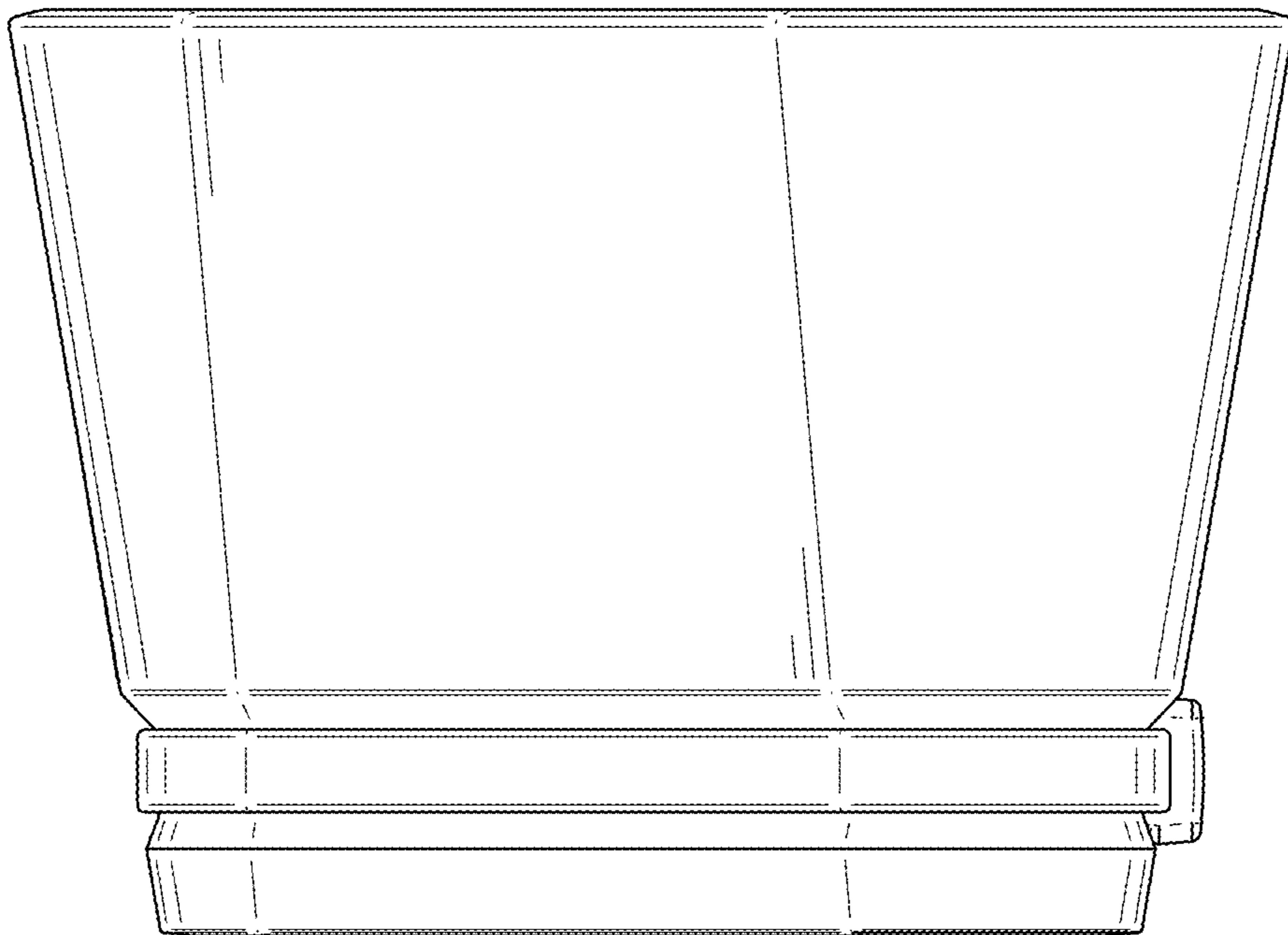


Fig. 6

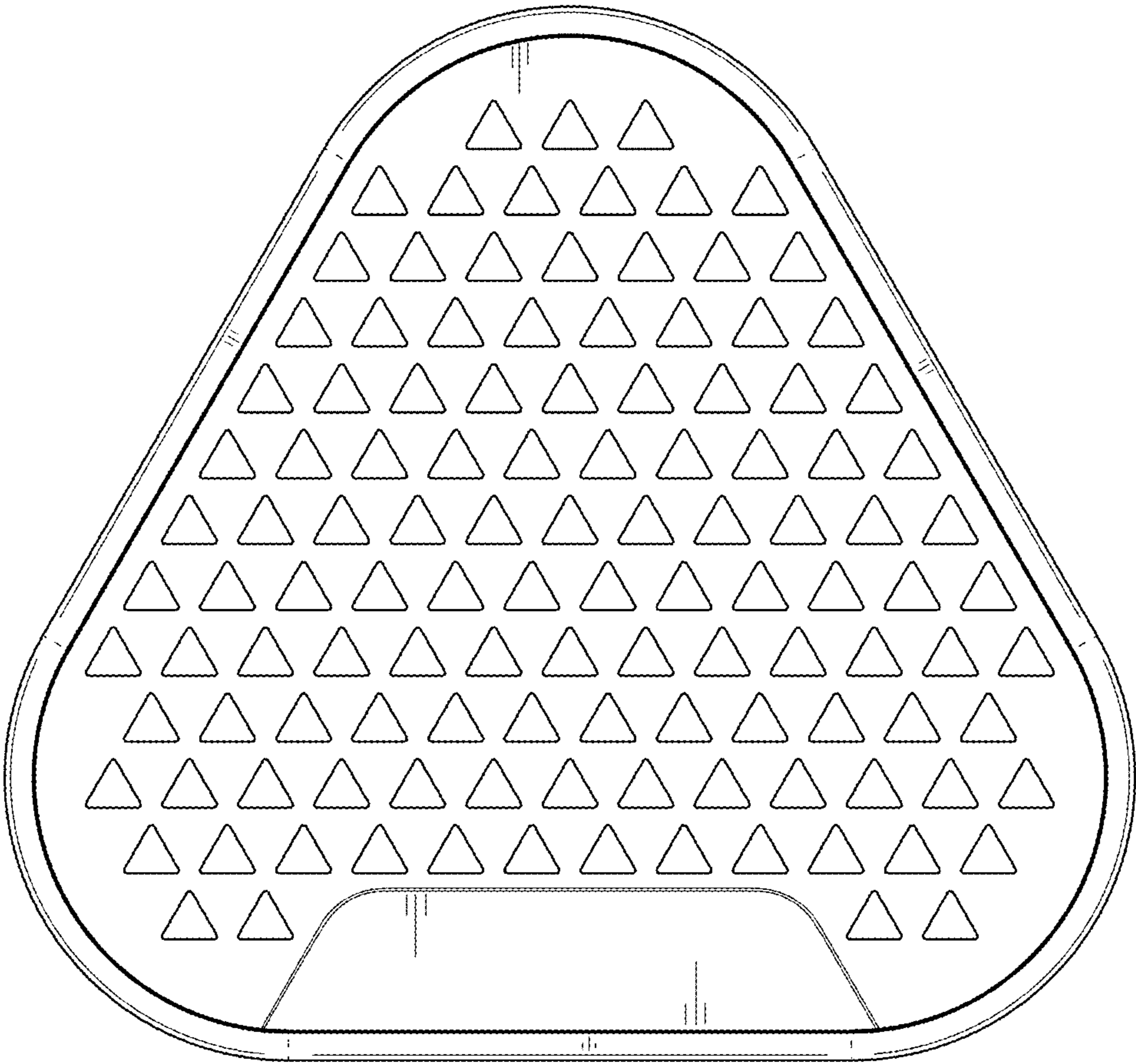


Fig. 7

