



US00D742852S

(12) **United States Design Patent**
Sung et al.

(10) **Patent No.:** **US D742,852 S**

(45) **Date of Patent:** **** Nov. 10, 2015**

(54) **SPEAKER**

(71) Applicant: **Samsung Electronics Co., Ltd.**,
Suwon-si, Gyeonggi-do (KR)

(72) Inventors: **Whan Oh Sung**, Seoul (KR); **Jooyeon Lee**, Gunposi (KR); **Kyu Eun Hwang**, Seoul (KR); **Stella Lee**, Seoul (KR); **Soy Park**, Seongnam-si (KR); **Young Keun Lee**, Seoul (KR); **Anders Peter Jensen**, Copenhagen (DK)

(73) Assignee: **SAMSUNG ELECTRONICS CO., LTD.** (KR)

(**) Term: **14 Years**

(21) Appl. No.: **29/478,244**

(22) Filed: **Jan. 2, 2014**

(30) **Foreign Application Priority Data**

Jul. 3, 2013 (KR) 30-2013-0034287

(51) **LOC (10) Cl.** **14-01**

(52) **U.S. Cl.**
USPC **D14/204**

(58) **Field of Classification Search**

USPC D14/133, 168, 171, 172, 204, 210, 214,
D14/221, 265, 358, 500-504; 181/144, 145,
181/198, 199; 369/75.11, 76; 381/300,
381/332-336, 345; 455/344, 350
CPC H04B 1/08; H04B 1/086; H04B 1/3883;
H04B 1/3888; H04R 7/00; H01Q 1/243
See application file for complete search history.

(56) **References Cited**

U.S. PATENT DOCUMENTS

D416,907	S	*	11/1999	Azima et al.	D14/214
D599,736	S	*	9/2009	Ferber et al.	D13/108
D611,061	S	*	3/2010	Nam et al.	D14/510
7,687,711	B2	*	3/2010	Kutaragi et al.	174/50
D615,101	S	*	5/2010	Nam et al.	D14/499
D633,098	S	*	2/2011	Kim et al.	D14/499
D656,957	S	*	4/2012	Chung et al.	D14/500

* cited by examiner

Primary Examiner — Derrick Holland

Assistant Examiner — Janice Lim

(74) *Attorney, Agent, or Firm* — Cantor Colburn LLP

(57) **CLAIM**

The ornamental design for a speaker, as shown and described.

DESCRIPTION

FIG. 1 is a front perspective view of a speaker showing our new design;

FIG. 2 is a front view thereof;

FIG. 3 is a rear view thereof;

FIG. 4 is a side view thereof;

FIG. 5 is an opposite side view thereof;

FIG. 6 is a top plan view thereof; and,

FIG. 7 is a bottom plan view thereof.

The broken line portions of FIGS. 3-5 and 7 are included to show unclaimed subject matter only and form no part of the claimed design.

1 Claim, 7 Drawing Sheets

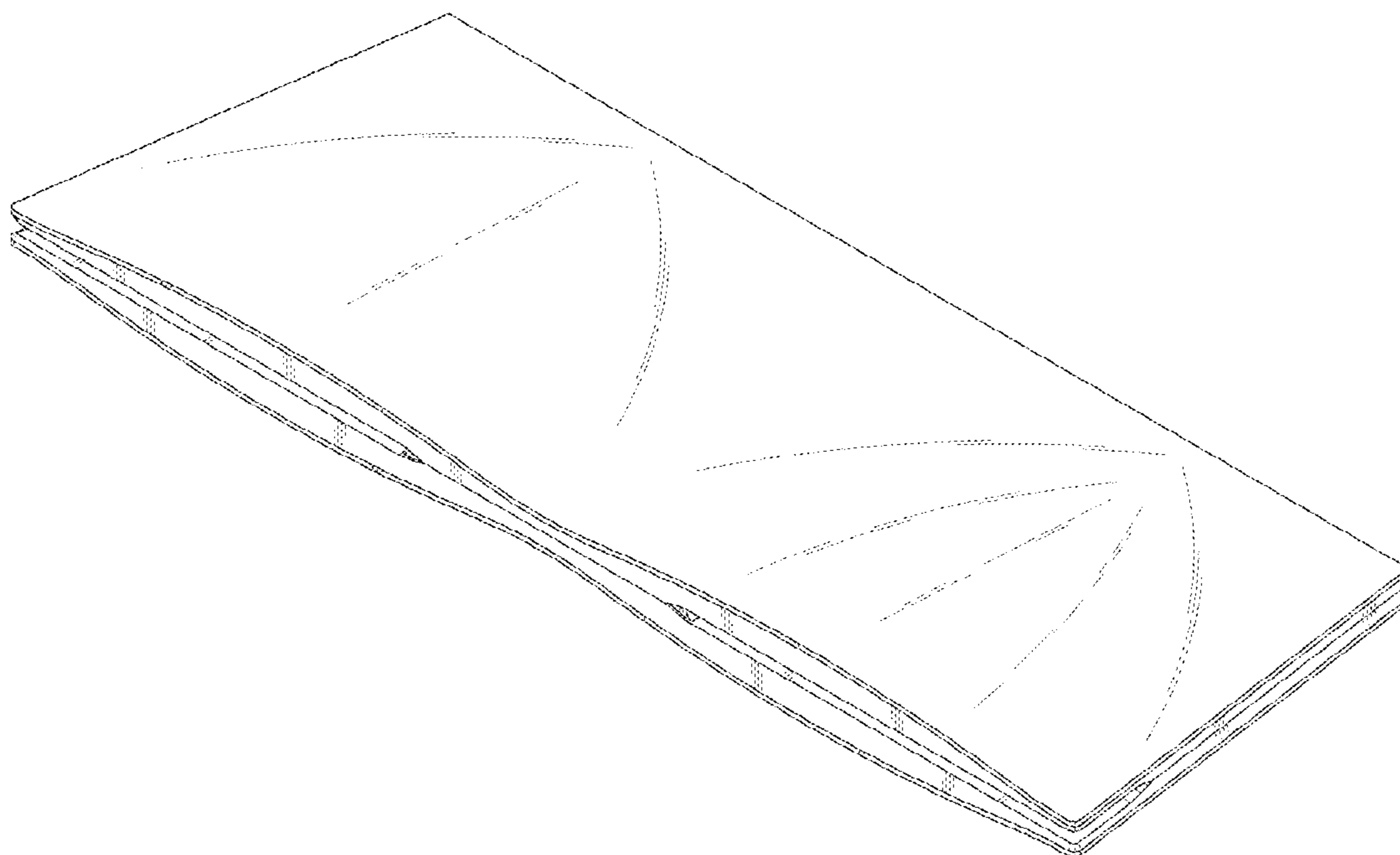


Fig. 1

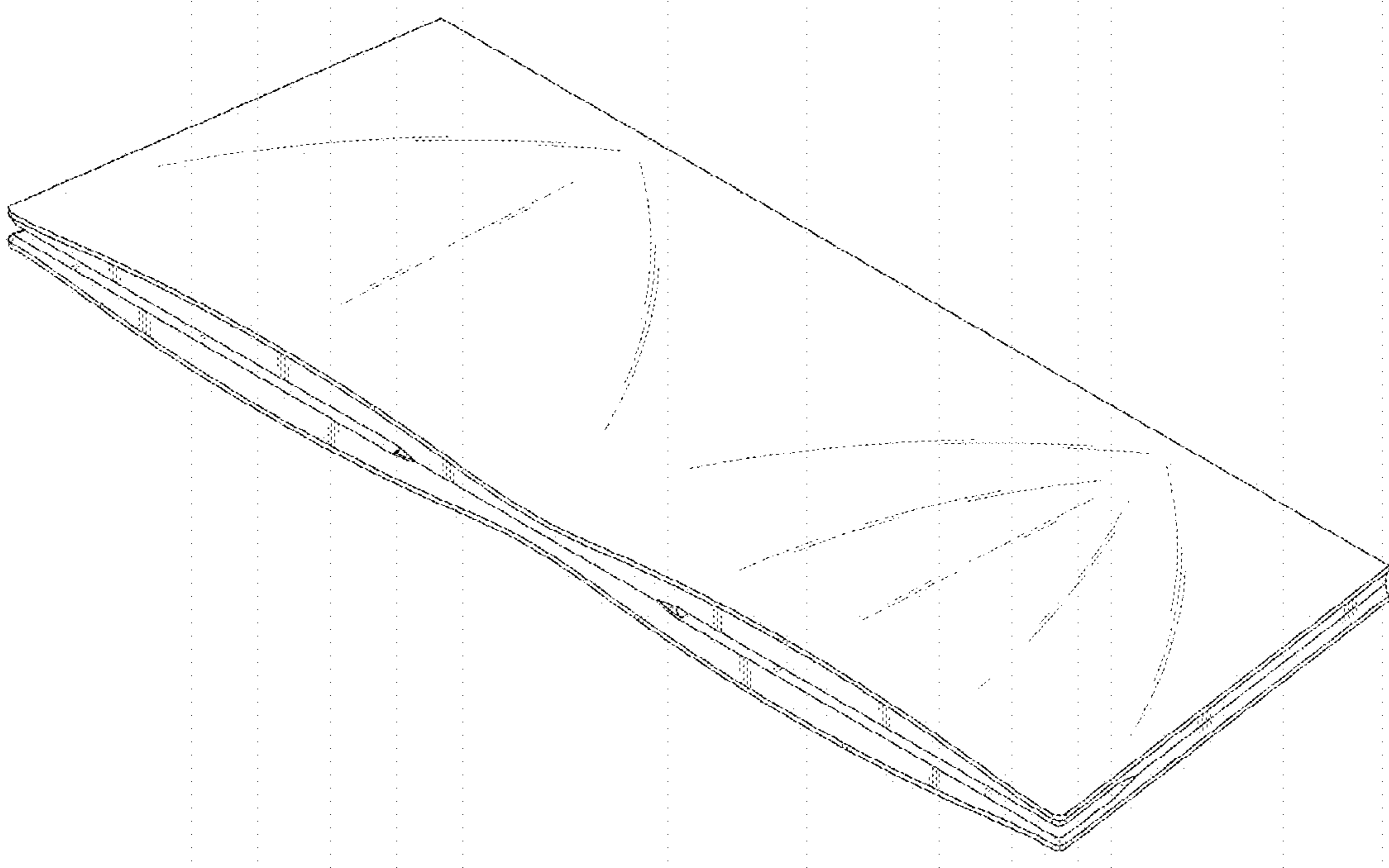


Fig. 2

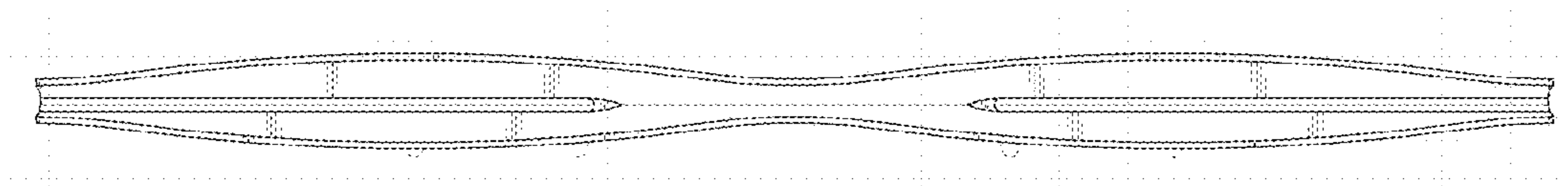


Fig. 3

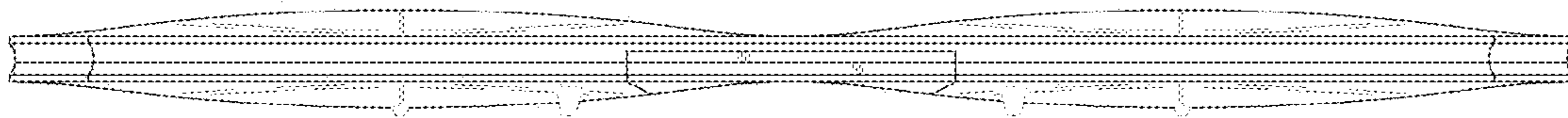


Fig. 4

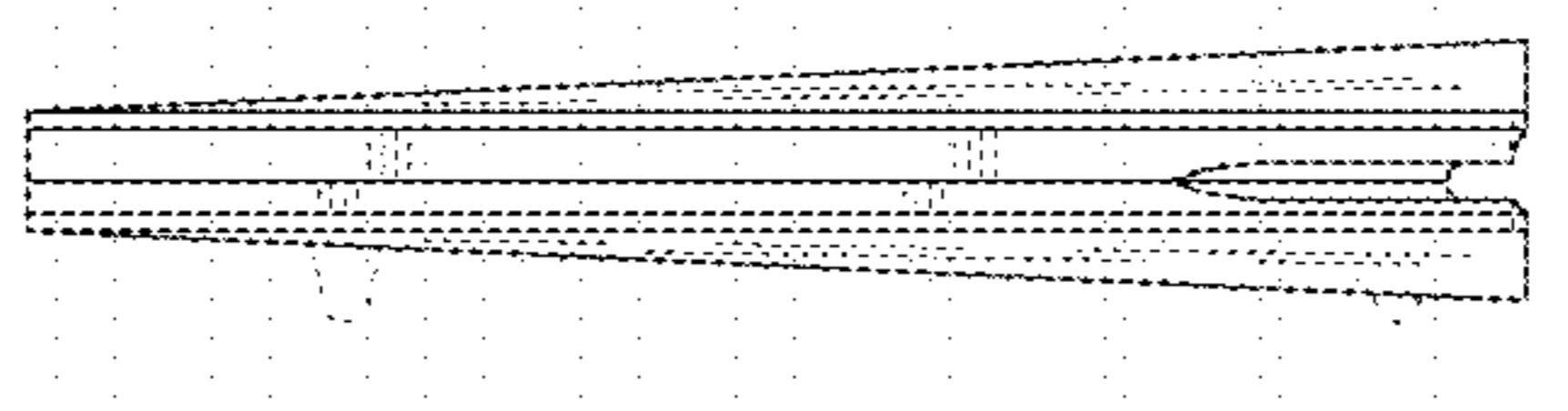


Fig. 5

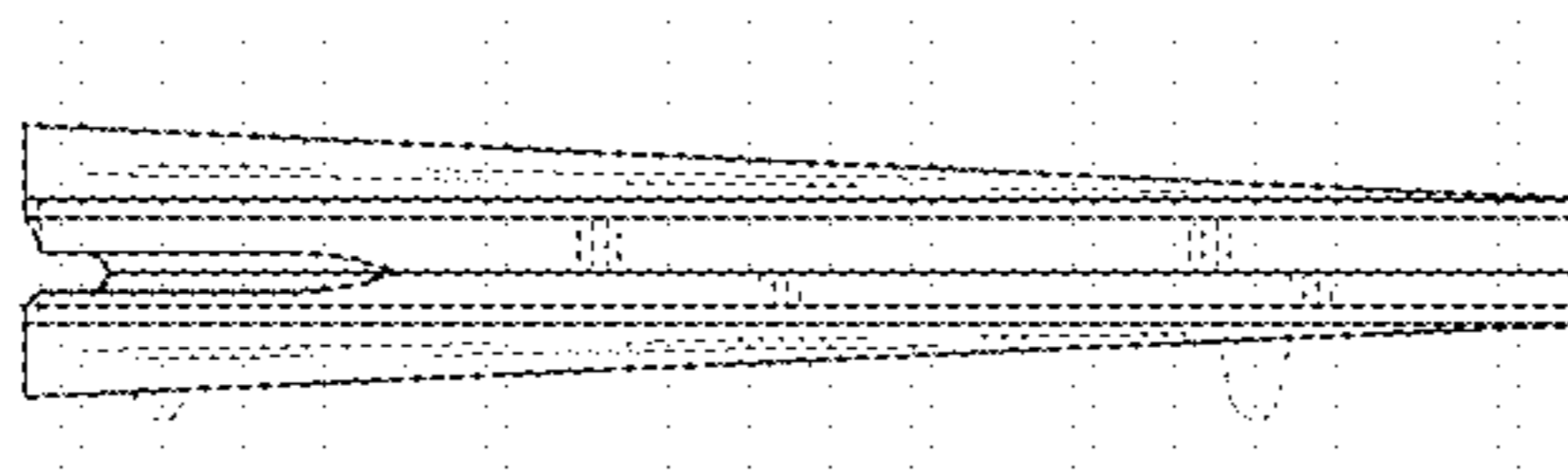


Fig. 6

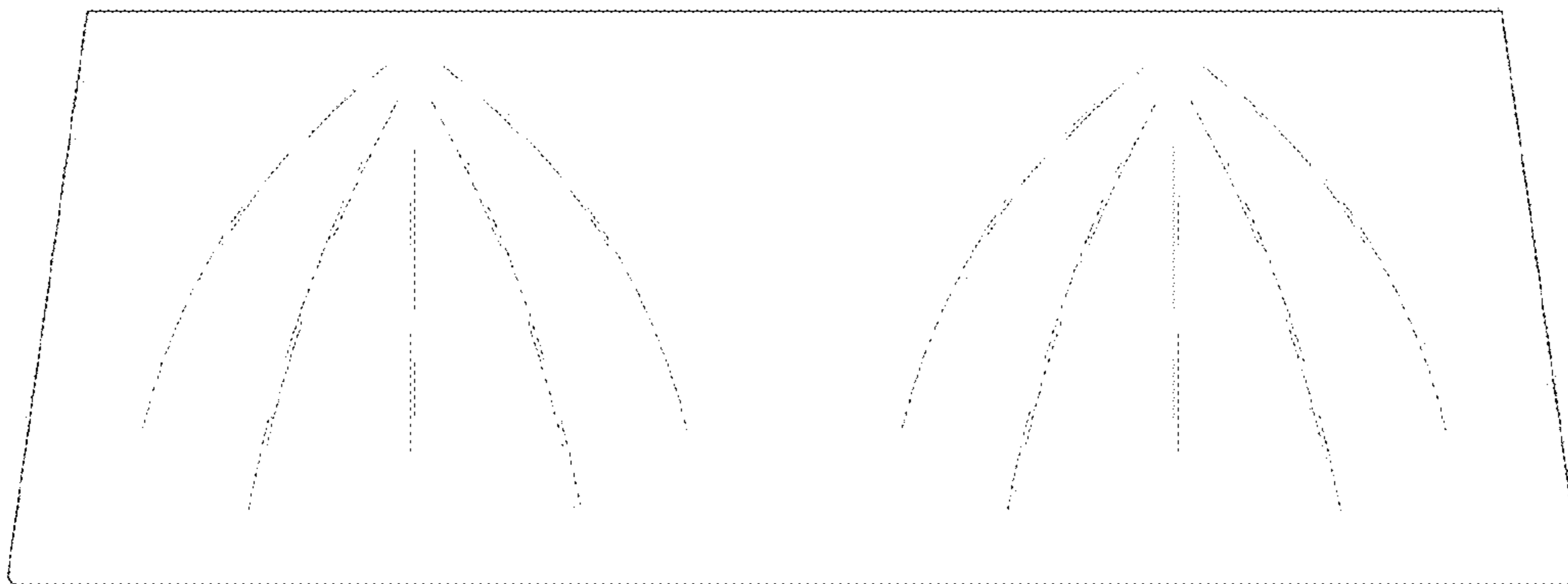


Fig. 7

