



US00D742851S

(12) **United States Design Patent**  
**Matthews**

(10) **Patent No.:** **US D742,851 S**

(45) **Date of Patent:** **\*\* Nov. 10, 2015**

(54) **AUDIO EQUIPMENT**

(71) Applicant: **Naim Audio Limited**, Salisbury (GB)

(72) Inventor: **Simon Matthews**, Salisbury (GB)

(73) Assignee: **Naim Audio Limited** (GB)

(\*\*) Term: **14 Years**

(21) Appl. No.: **29/506,931**

(22) Filed: **Oct. 22, 2014**

(51) **LOC (10) Cl.** ..... **14-03**

(52) **U.S. Cl.**

USPC ..... **D14/188**; D14/214

(58) **Field of Classification Search**

USPC ..... D14/167, 168, 170–172, 188, 194–196,  
D14/204, 207, 209.1, 210–216, 219, 221,  
D14/222, 224, 496, 197, 198, 257, 265;  
181/143, 144, 147, 148, 150, 153, 157,  
181/198, 199; 381/300–303, 306, 332, 333,  
381/336, 345, 361–364, 386–388;  
369/6–12

CPC .... B60R 11/0217; G06F 1/1688; H04M 1/03;  
H04M 1/035; H04R 1/02; H04R 1/06; H04R  
1/021; H04R 1/025; H04R 1/026; H04R  
1/028; H04R 1/105; H04R 1/323; H04R  
1/403; H04R 1/2803; H04R 1/2834; H04R  
5/02; H04R 7/20; H04R 9/06; H04R 9/025;  
H04R 2201/021; H04R 2400/00; H04R  
2400/07; H04R 2499/11; H04R 2499/13;  
H04R 2499/15; H04S 3/00; H04S 7/30

See application file for complete search history.

(56) **References Cited**

U.S. PATENT DOCUMENTS

D355,654 S *	2/1995	Koulopoulos	.....	D14/188
D613,310 S *	4/2010	Kim	.....	D14/502
D613,311 S *	4/2010	Kim	.....	D14/502
D644,640 S *	9/2011	Warden	.....	D14/257
D650,394 S *	12/2011	Seoc et al.	.....	D14/496
D658,611 S *	5/2012	Bang et al.	.....	D14/125
D702,663 S *	4/2014	Kim et al.	.....	D14/209.1
D704,739 S *	5/2014	Woo et al.	.....	D14/502
D722,587 S *	2/2015	Green et al.	.....	D14/188

\* cited by examiner

*Primary Examiner* — Keli L Hill

(74) *Attorney, Agent, or Firm* — Conley Rose, P.C.

(57) **CLAIM**

The ornamental design for audio equipment, as shown and described.

**DESCRIPTION**

FIG. 1 is a perspective view of audio equipment, embodying my new design;

FIG. 2 is a right side front elevation view thereof;

FIG. 3 is a left side elevation view thereof;

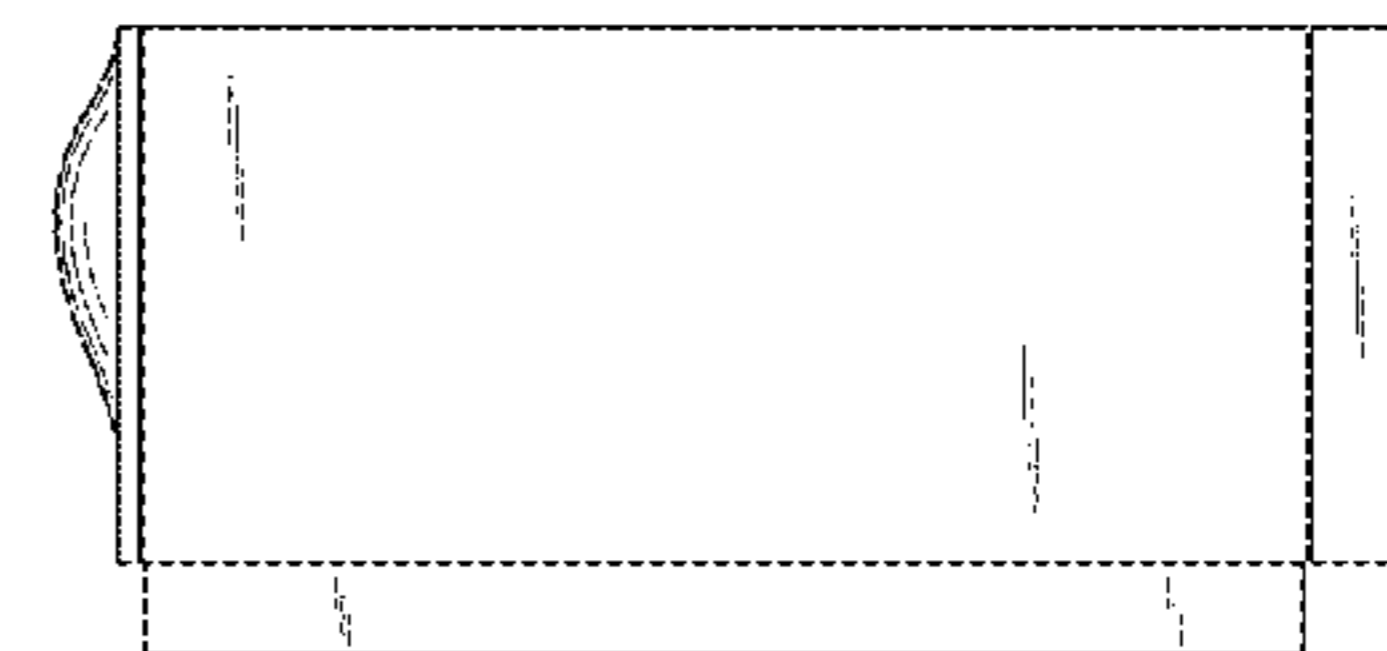
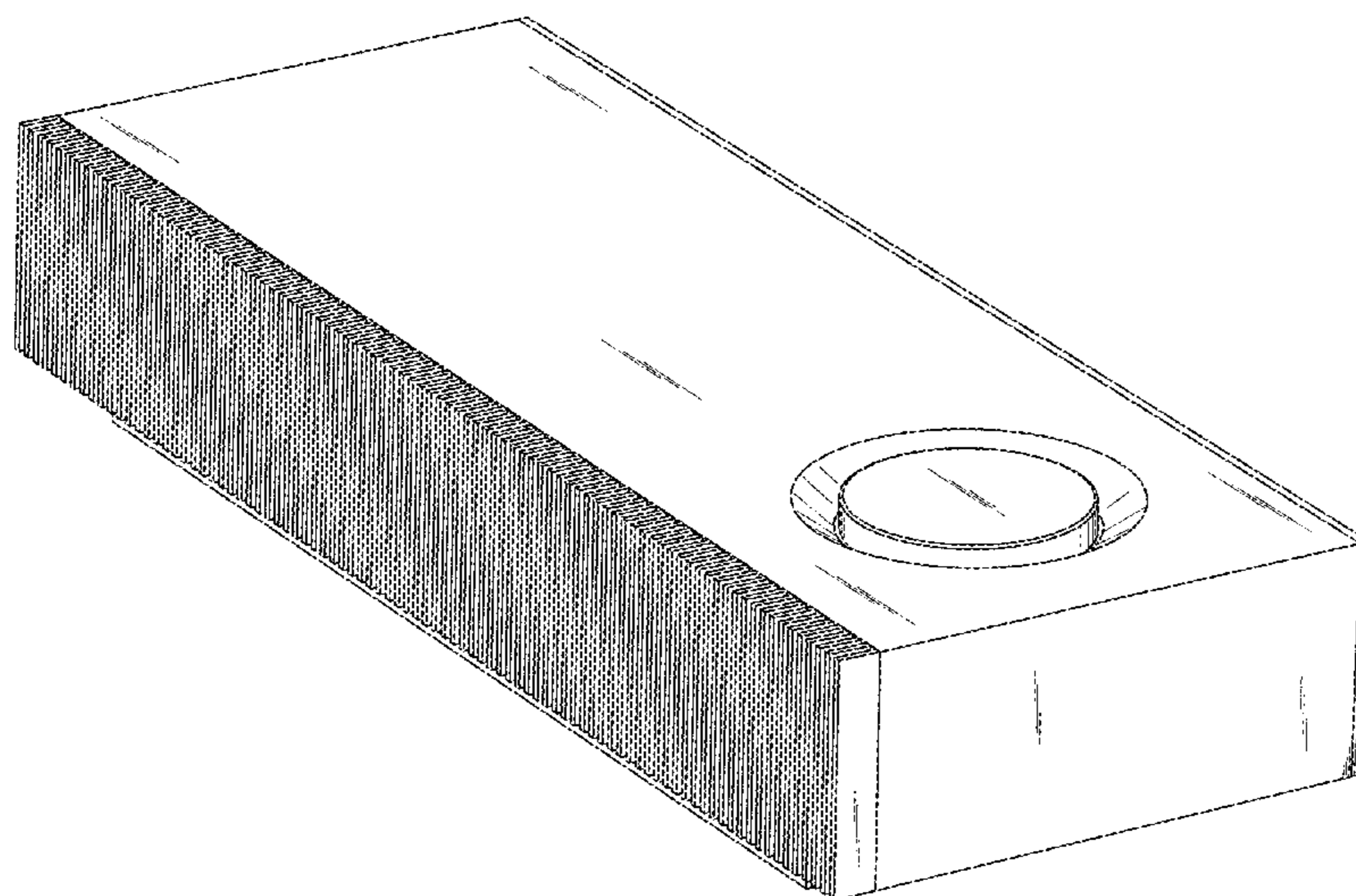
FIG. 4 is a top plan view thereof;

FIG. 5 is a bottom plan view thereof;

FIG. 6 is an end elevation view thereof; and,

FIG. 7 is an opposite end elevation view thereof.

**1 Claim, 5 Drawing Sheets**



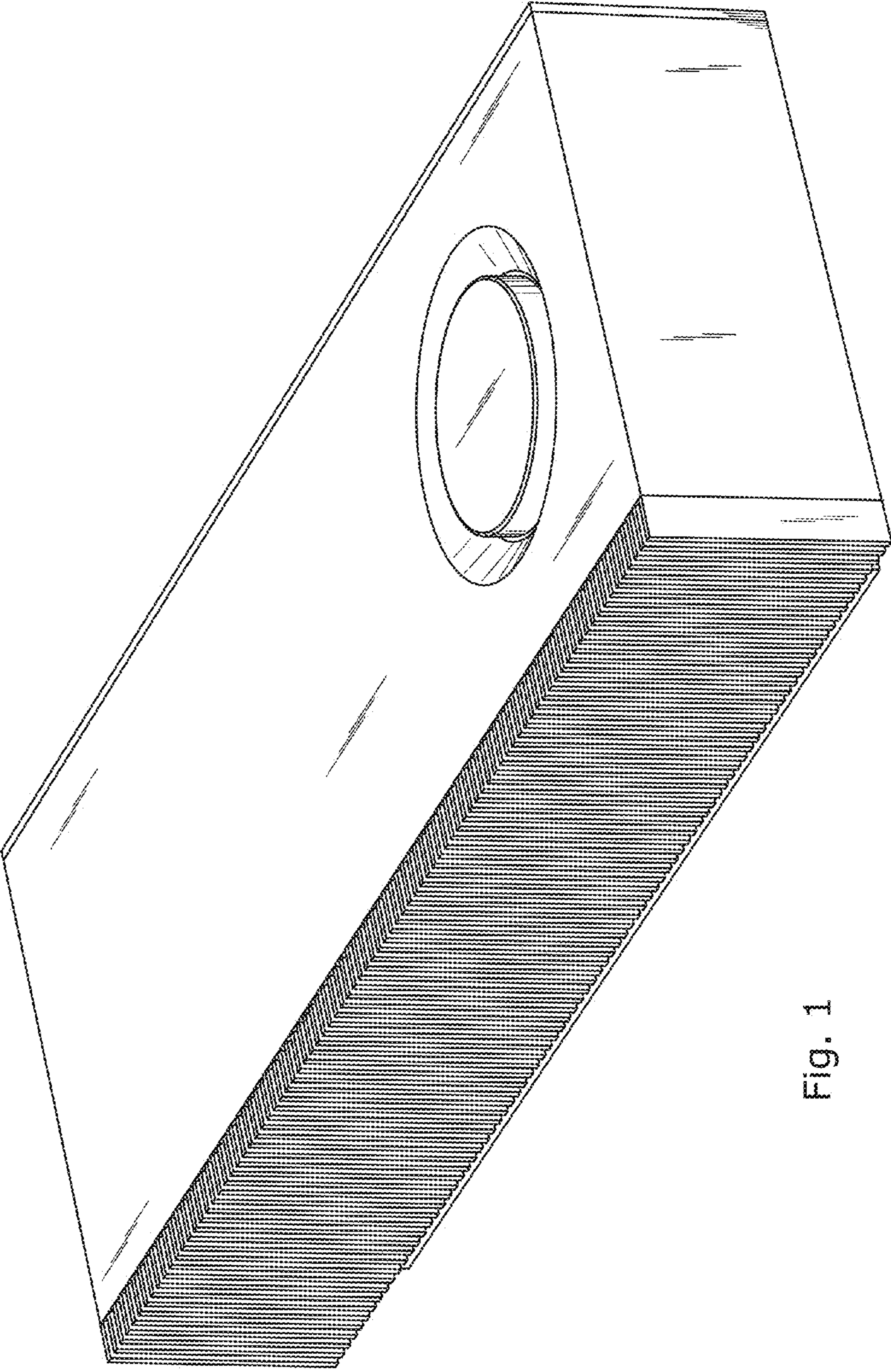


FIG. 1

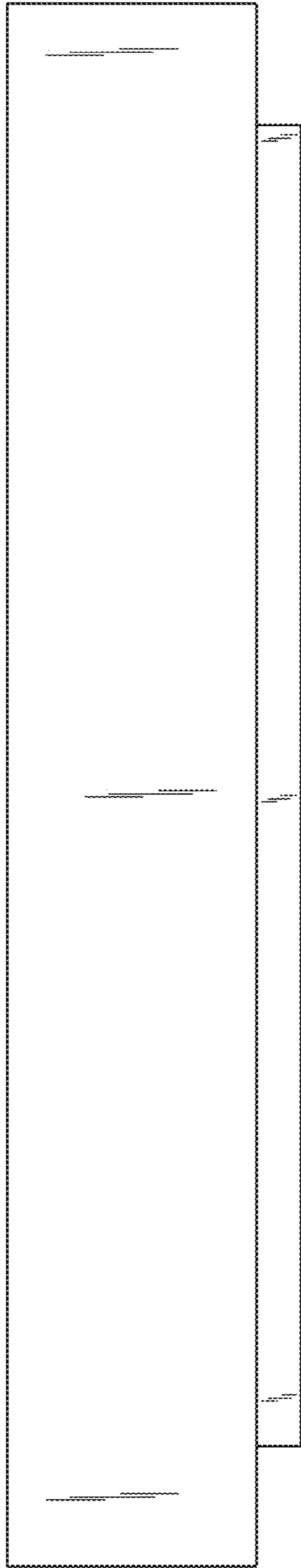


FIG. 2

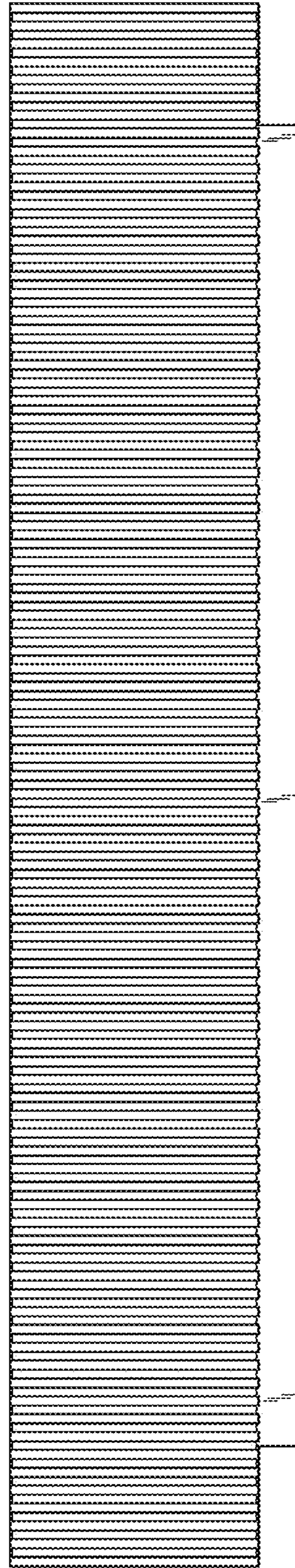


FIG. 3

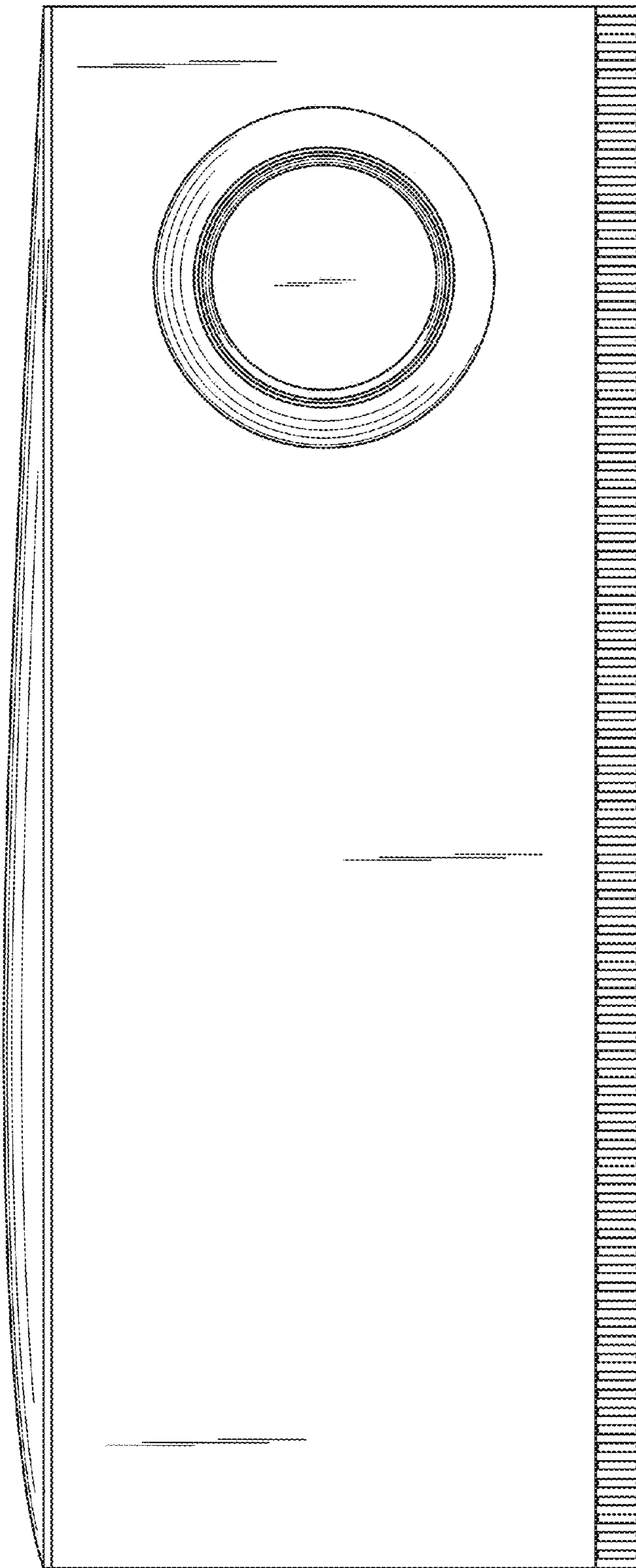


Fig. 4

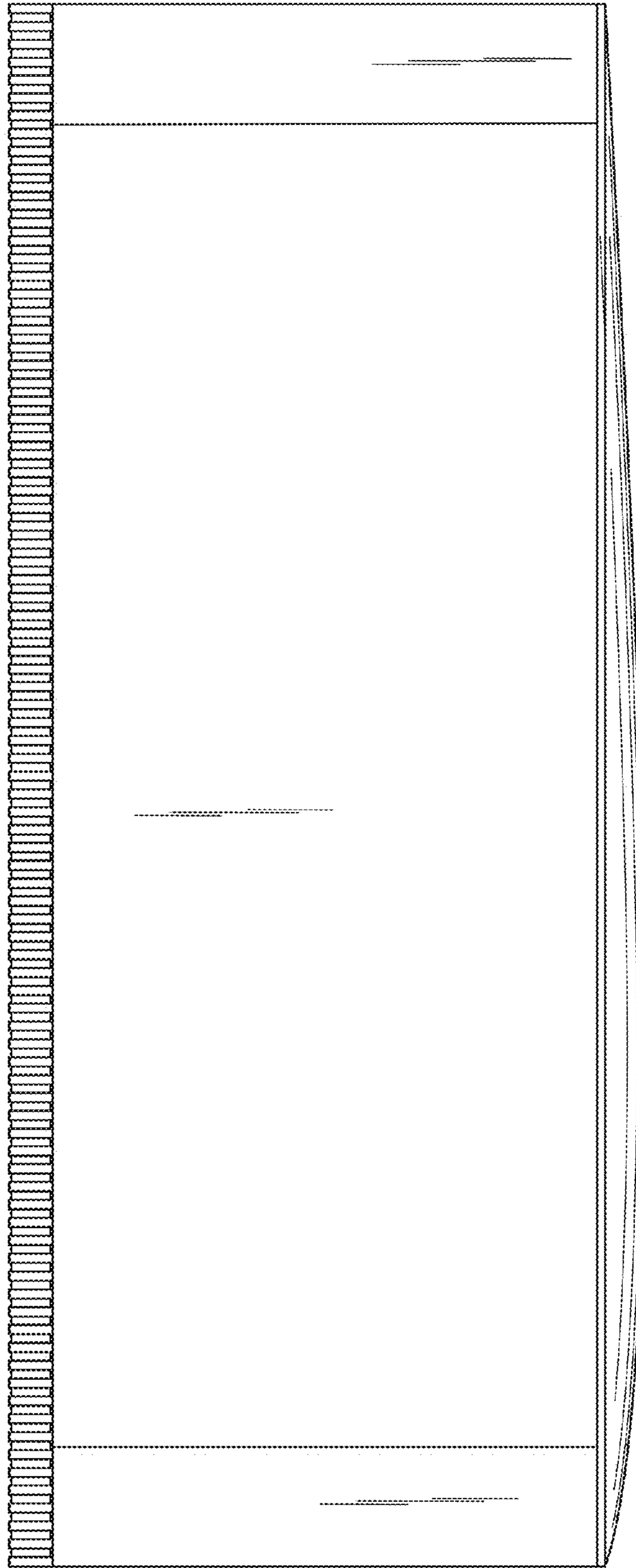


Fig. 5

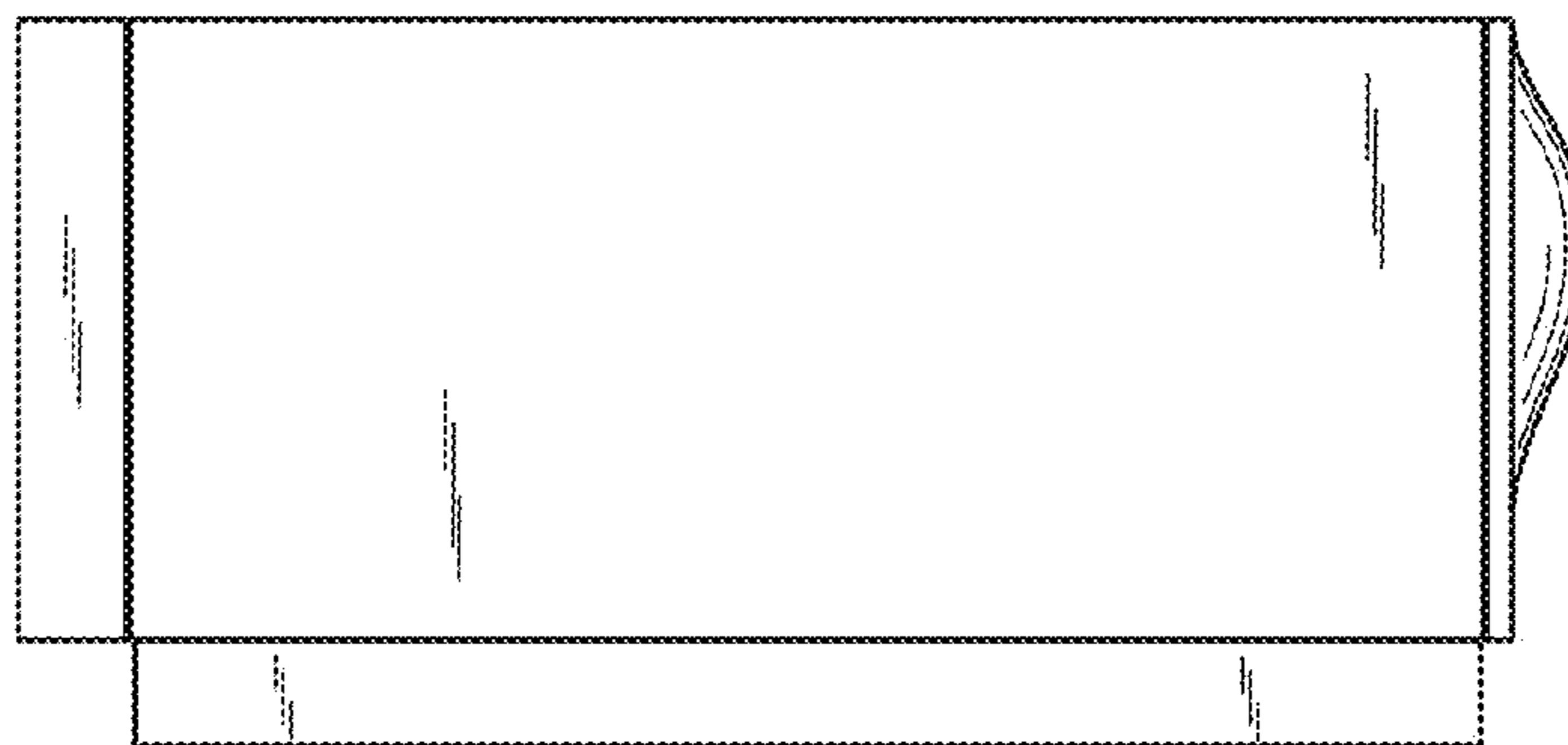


Fig. 6

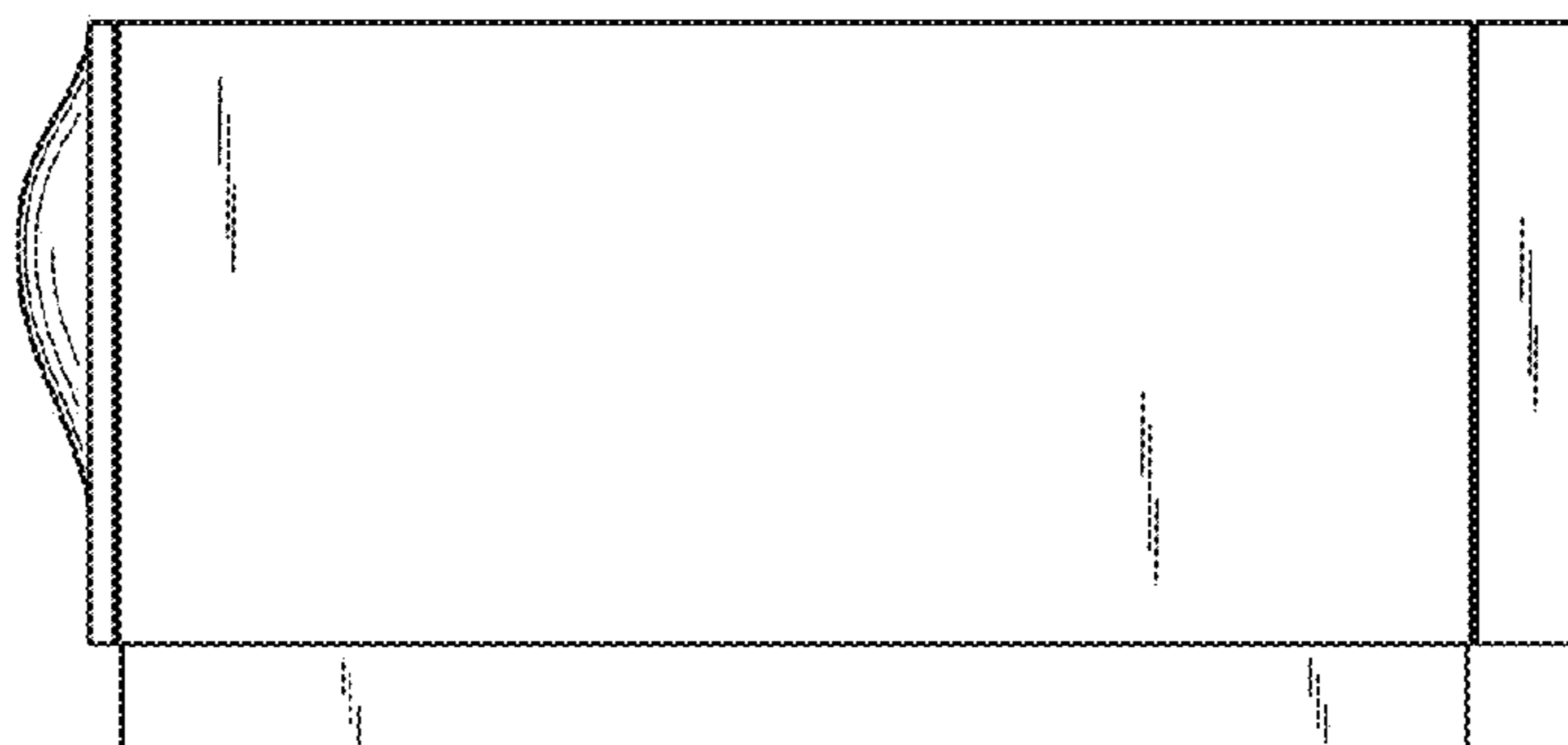


Fig. 7