



US00D742850S

(12) **United States Design Patent**
Uesugi

(10) **Patent No.:** **US D742,850 S**
(45) **Date of Patent:** **** Nov. 10, 2015**

(54) **RECORDING REPRODUCING DEVICE**

(71) Applicant: **Roland Corporation**, Hamamatsu (JP)

(72) Inventor: **Tetsuya Uesugi**, Hamamatsu (JP)

(73) Assignee: **ROLAND CORPORATION**,
Hamamatsu (JP)

(**) Term: **14 Years**

(21) Appl. No.: **29/465,403**

(22) Filed: **Aug. 27, 2013**

(30) **Foreign Application Priority Data**

Mar. 14, 2013 (JP) 2013-005698
Mar. 14, 2013 (JP) 2013-005699
Mar. 14, 2013 (JP) 2013-005700

(51) **LOC (10) Cl.** **14-01**

(52) **U.S. Cl.**
USPC **D14/167**

(58) **Field of Classification Search**
USPC D14/167, 154, 168, 188, 496, 156, 160,
D14/161, 162, 163, 164, 165, 192, 260;
D16/208; D26/38; 455/351, 350;
368/63, 107, 281, 282, 41; 70/270.01,
70/274, 275; D10/31, 32, 30; D11/3, 4
CPC A61B 5/681; A61B 5/6824; A61B 5/6831;
G11B 31/00; G11B 20/10527; G11B 2020/10
See application file for complete search history.

(56) **References Cited**

U.S. PATENT DOCUMENTS

D400,877 S * 11/1998 Miyazaki D14/167
D424,053 S * 5/2000 Ito et al. D14/141.2

D426,222 S * 6/2000 Kobayashi D14/167
D429,233 S * 8/2000 Komiyama D14/167
D443,259 S * 6/2001 Okubo D14/167
D452,488 S * 12/2001 Ogasawara D14/167
D468,286 S * 1/2003 Takita et al. D14/167
D470,470 S * 2/2003 Yamada et al. D14/167
D475,692 S * 6/2003 Takita et al. D14/167
D512,408 S * 12/2005 Suzuki D14/167
D597,064 S * 7/2009 Machida D14/167
D638,029 S * 5/2011 Uesugi et al. D14/496

* cited by examiner

Primary Examiner — Austin Murphy

(74) *Attorney, Agent, or Firm* — David W. Victor; Konrad
Raynes Davda & Victor LLP

(57) **CLAIM**

I claim the ornamental design for a recording reproducing
device, as shown and described.

DESCRIPTION

FIG. 1 is a top plan view of a third embodiment of a recording
producing device.

FIG. 2 is a bottom plan view of the third embodiment.

FIG. 3 is a left side elevational view of the third embodiment.

FIG. 4 is a right side elevational view of the third embodi-
ment.

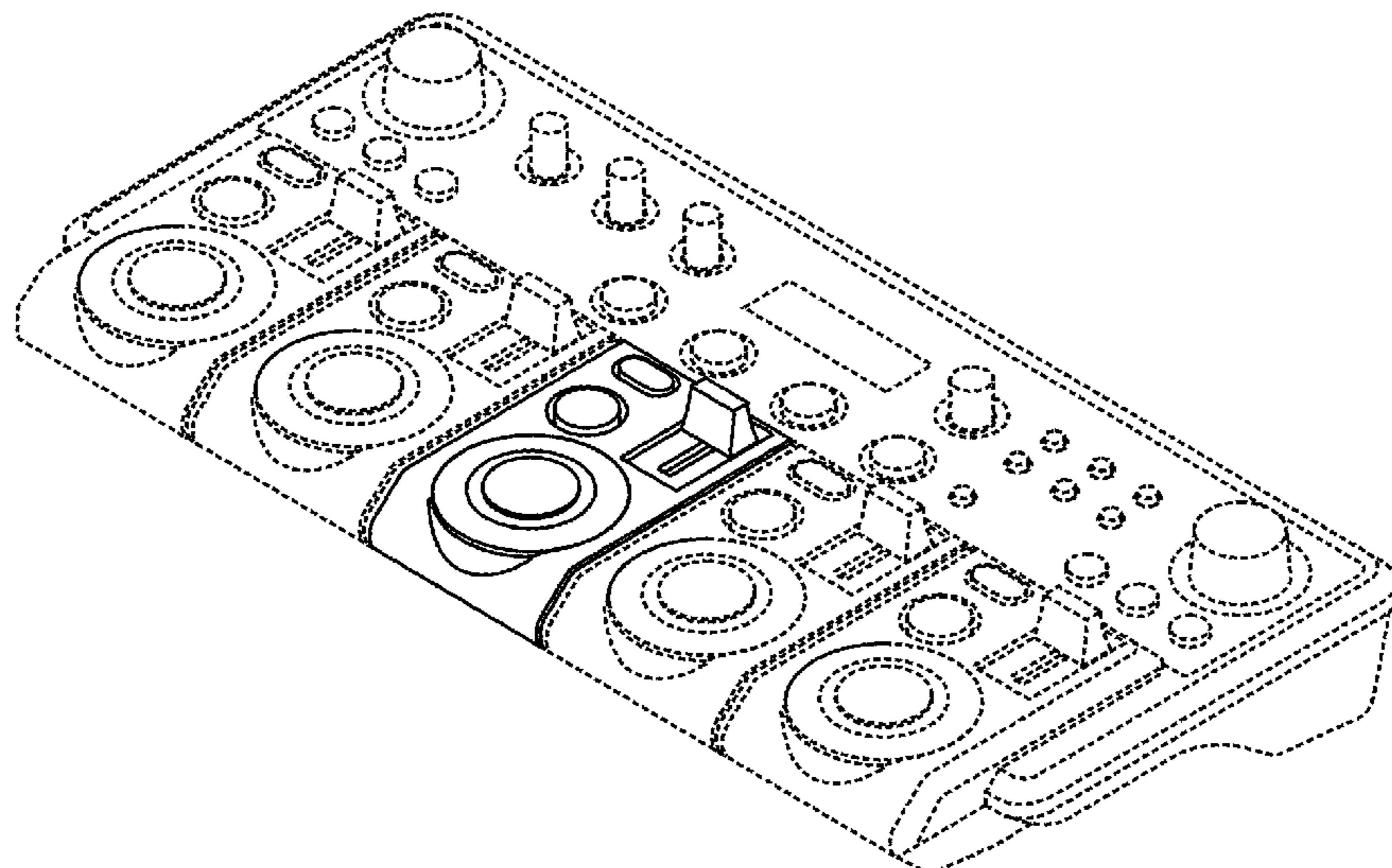
FIG. 5 is a rear side elevational view of the third embodiment
in an upside down orientation.

FIG. 6 is a front side elevational view of the third embodi-
ment; and,

FIG. 7 is a perspective view of the third embodiment.

The broken lines in the drawings are for illustrative purposes
only and form no part of the claimed design.

1 Claim, 5 Drawing Sheets



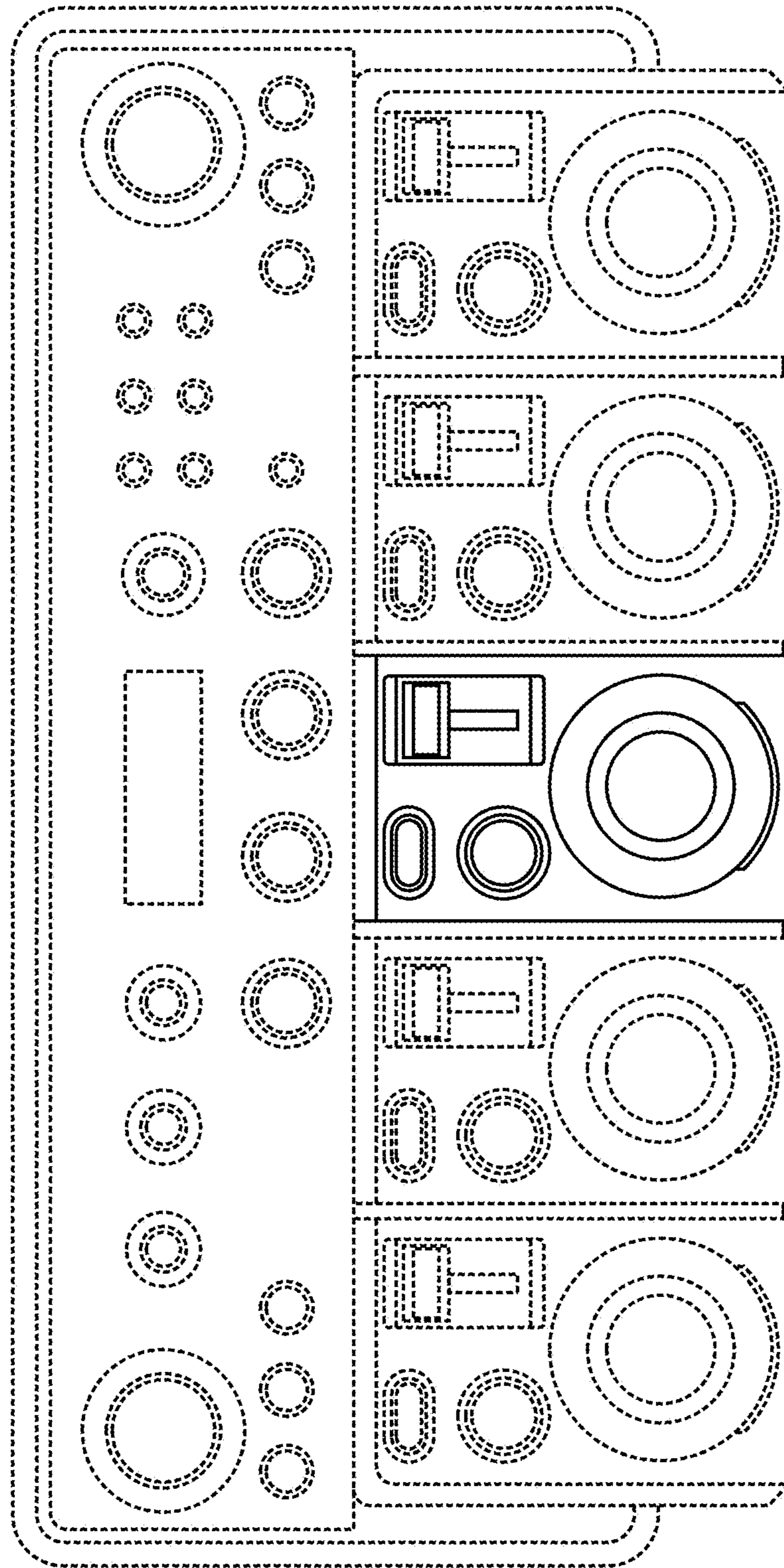


FIG. 1

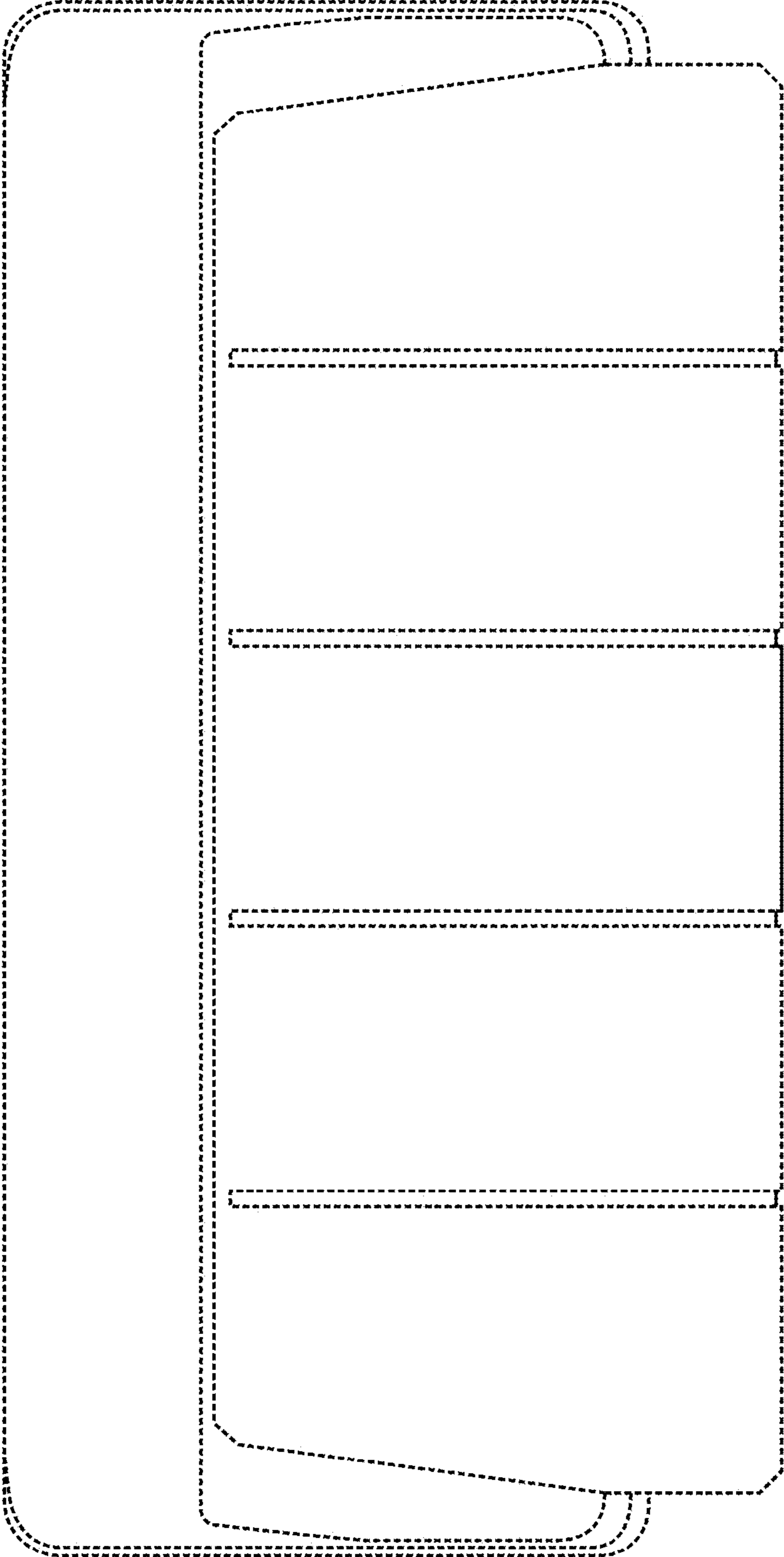


FIG. 2

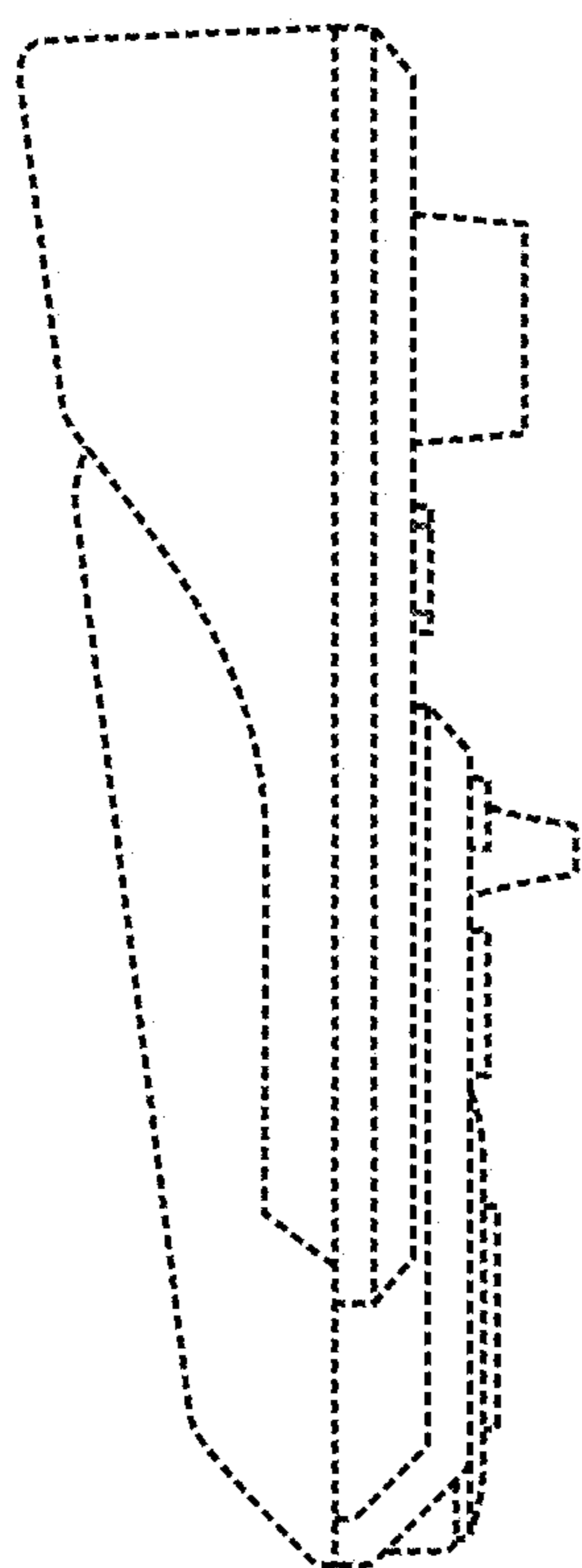


FIG. 3

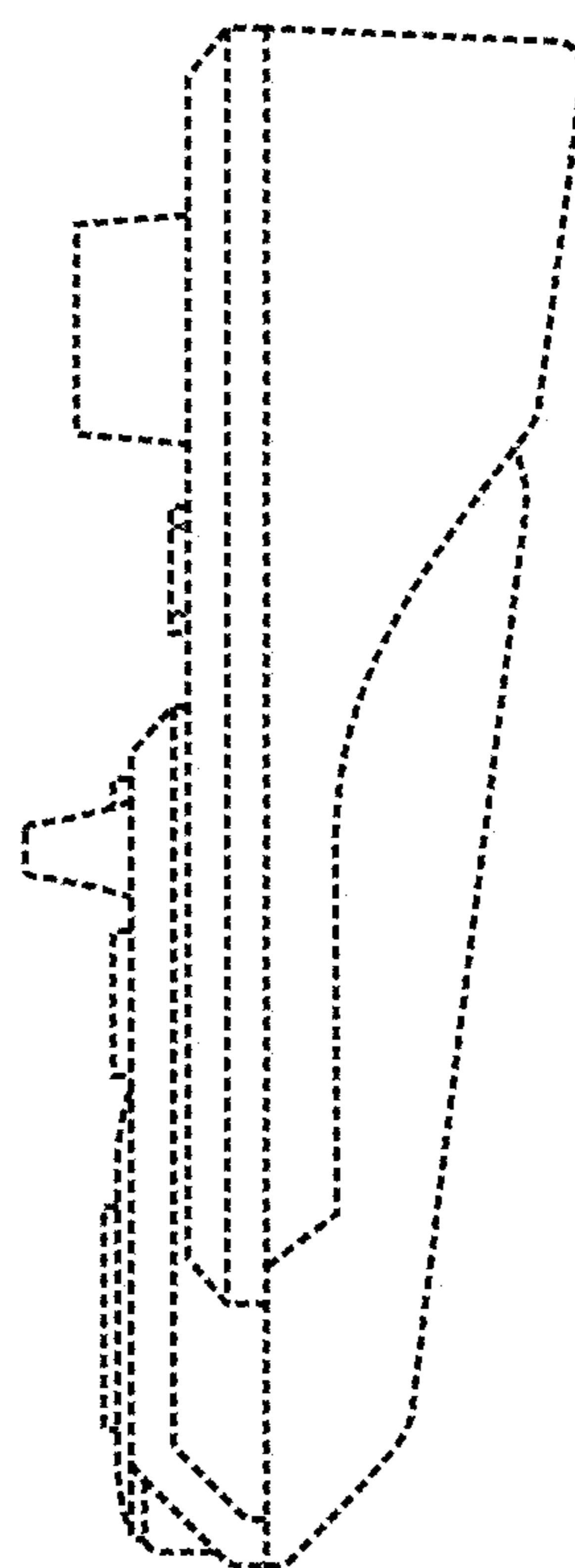


FIG. 4

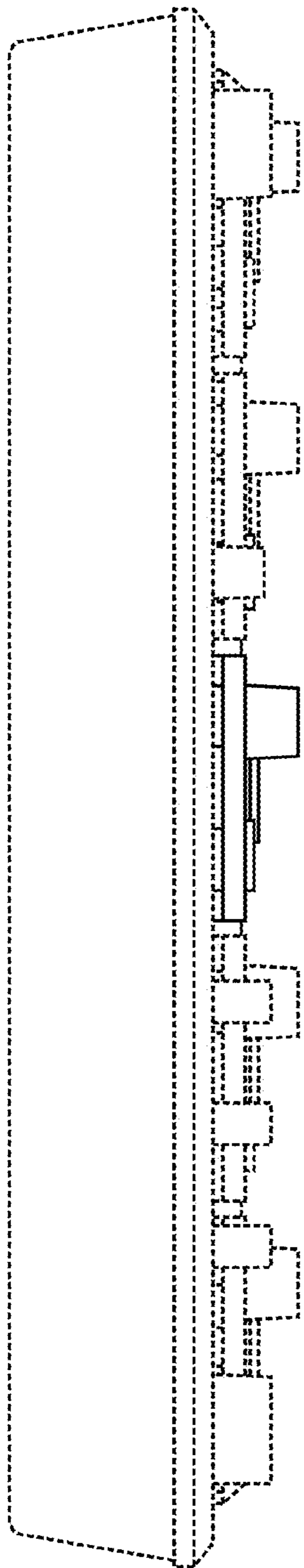


FIG. 5

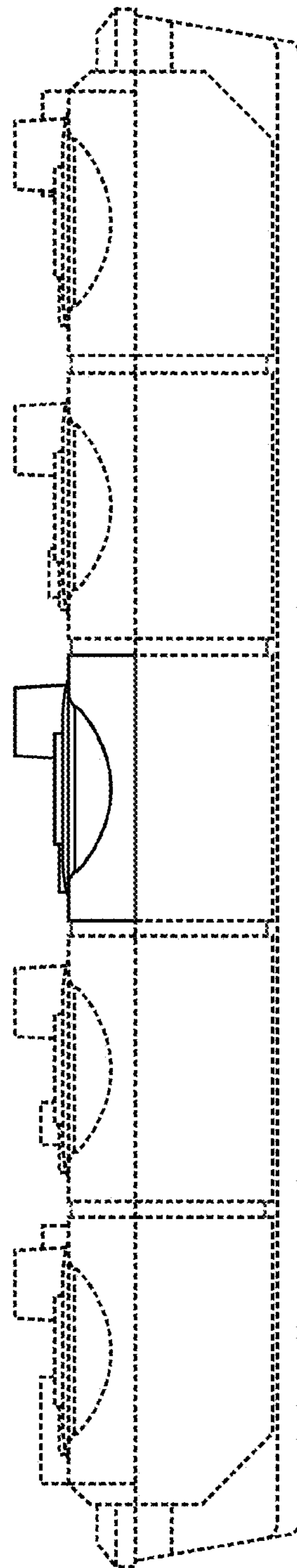


FIG. 6

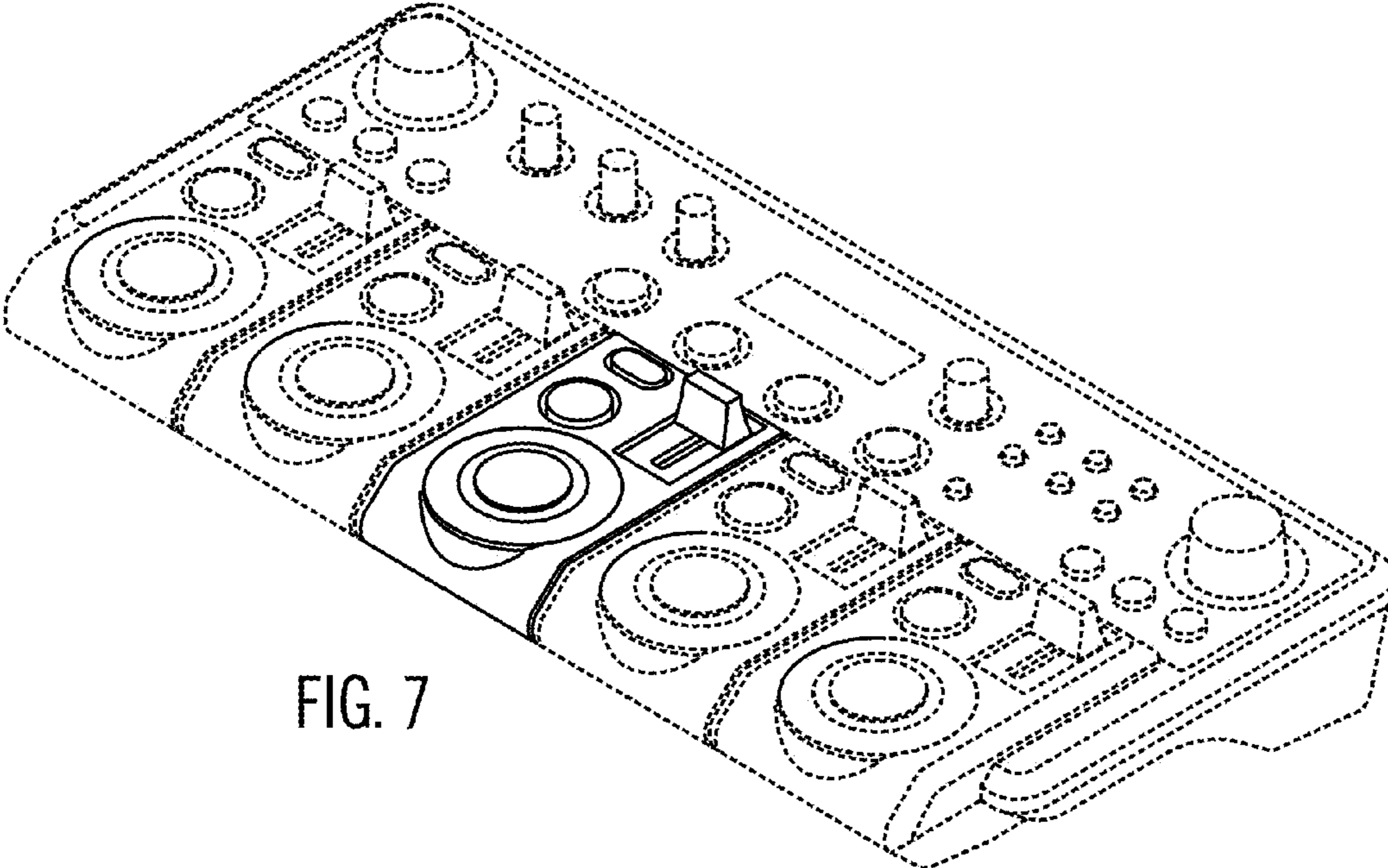


FIG. 7