



US00D742849S

(12) **United States Design Patent**  
**Moon et al.**

(10) **Patent No.:** **US D742,849 S**  
(45) **Date of Patent:** **\*\* Nov. 10, 2015**

(54) **TELEPHONE**

(71) Applicant: **Samsung Electronics Co., Ltd.**,  
Suwon-si (KR)  
(72) Inventors: **Ji-Hyun Moon**, Gwangmyeong-si (KR);  
**Ji-Hee Kwak**, Seoul (KR); **So-Yoon**  
**Jeon**, Guri-si (KR)  
(73) Assignee: **Samsung Electronics Co., Ltd.**,  
Suwon-si (KR)

(\*\*) Term: **14 Years**  
(21) Appl. No.: **29/490,268**  
(22) Filed: **May 8, 2014**

(30) **Foreign Application Priority Data**  
Dec. 9, 2013 (KR) ..... 30-2013-0062100

(51) **LOC (10) Cl.** ..... **14-03**

(52) **U.S. Cl.**  
USPC ..... **D14/140.8**; D14/151

(58) **Field of Classification Search**  
USPC ..... D14/248, 151, 130, 140.7, 140.8, 142,  
D14/144, 149, 150, 155, 158, 159, 188, 217,  
D14/226, 229, 240, 251-253, 399, 329,  
D14/466-468, 140; D21/517; D13/107,  
D13/108, 168; D10/65; 379/88.17, 90.01,  
379/93.17, 387.01, 388.02, 419-420.04,  
379/420.02, 428.01-428.04, 434-436, 440,  
379/446-447, 454-455, 93.23; D24/165  
CPC ..... H04M 1/00; H04M 1/003; H04M 1/02;  
H04M 1/03; H04M 1/04; H04M 1/21  
See application file for complete search history.

(56) **References Cited**  
U.S. PATENT DOCUMENTS

D155,353 S \* 9/1949 Muldoon ..... D14/142  
D176,747 S \* 1/1956 Zimmerman ..... D21/517

D290,603 S \* 6/1987 Offredi ..... D14/151  
D300,317 S \* 3/1989 Yoshiharu ..... D14/143  
D307,428 S \* 4/1990 Pfeifer et al. .... D14/151  
D307,429 S \* 4/1990 Pfeifer et al. .... D14/151  
D311,185 S \* 10/1990 Chiassi ..... D14/142  
D320,392 S \* 10/1991 Wetzell ..... D14/151  
D320,788 S \* 10/1991 Grinyer ..... D14/151  
D320,987 S \* 10/1991 Grinyer ..... D14/151  
D348,062 S \* 6/1994 Iseli et al. .... D14/149  
D349,700 S \* 8/1994 Iseli et al. .... D14/142  
D352,282 S \* 11/1994 Toh et al. .... D14/150  
D353,373 S \* 12/1994 Delhaes ..... D14/149  
D359,283 S \* 6/1995 Rudkiewicz ..... D14/149  
D359,491 S \* 6/1995 Iseli ..... D14/151  
D365,560 S \* 12/1995 Buchin ..... D14/151  
D375,092 S \* 10/1996 Hilsenrath et al. .... D14/142  
D413,119 S \* 8/1999 Schnell et al. .... D14/151  
D423,003 S \* 4/2000 Chan ..... D14/151  
D439,234 S \* 3/2001 Narrillos Hortiguela .... D14/151

(Continued)

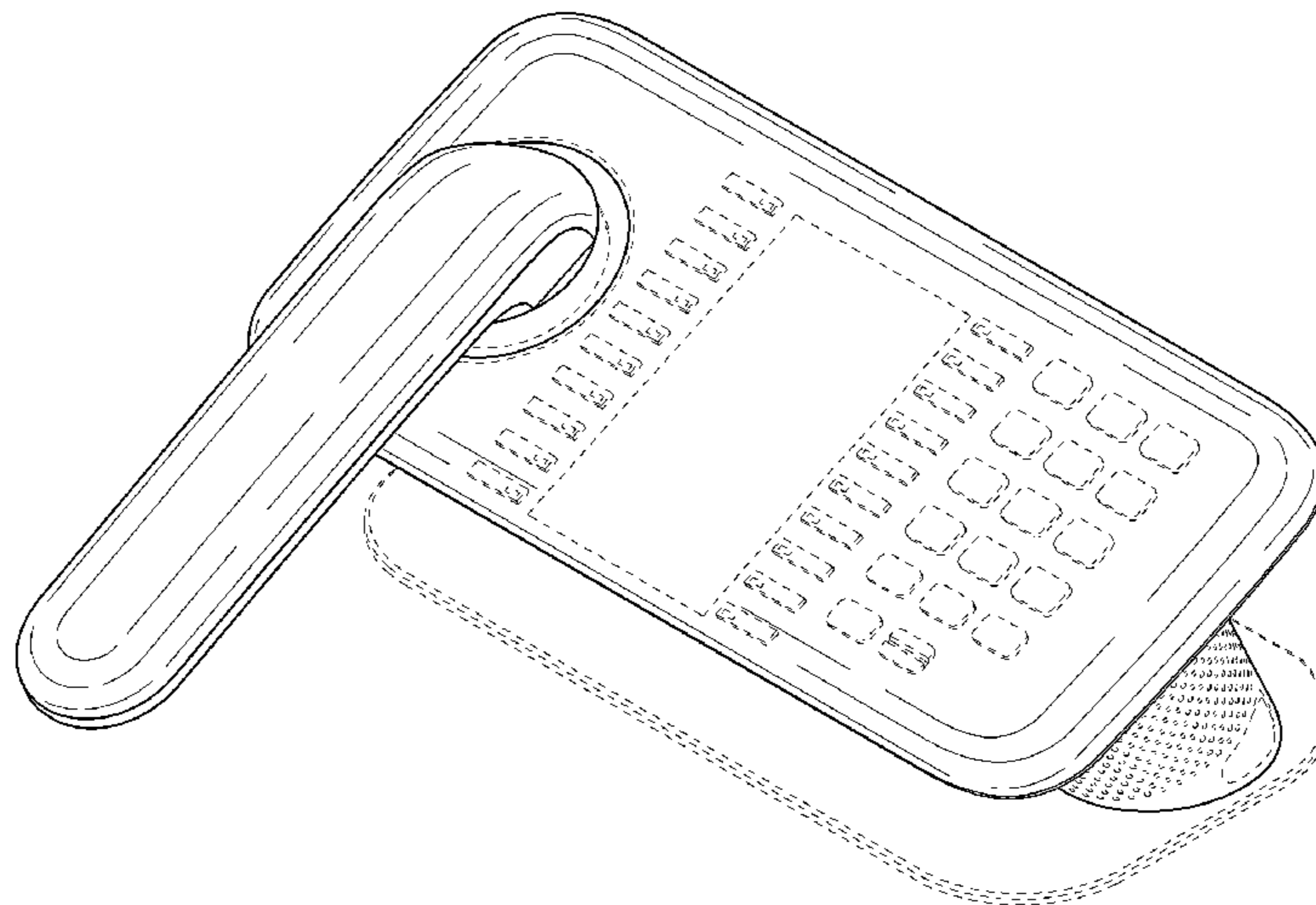
*Primary Examiner* — Susan Bennett Hattan  
*Assistant Examiner* — Marie Fast Horse  
(74) *Attorney, Agent, or Firm* — NSIP Law

(57) **CLAIM**  
We claim the ornamental design for a telephone, as shown and described.

**DESCRIPTION**

FIG. 1 is a front perspective view of a telephone showing our new design;  
FIG. 2 is a front view thereof;  
FIG. 3 is a rear view thereof;  
FIG. 4 is a left-side view thereof;  
FIG. 5 is a right-side view thereof;  
FIG. 6 is a top view thereof; and,  
FIG. 7 is a bottom view thereof.  
The broken lines in the figures show portions of the telephone which form no part of the claimed design. The unshaded surfaces in between the solid lines and broken line depictions are not claimed.

**1 Claim, 5 Drawing Sheets**



(56)

**References Cited**

U.S. PATENT DOCUMENTS

D466,097 S *	11/2002	Geert .....	D14/151	D597,058 S *	7/2009	Sheppard .....	D14/142
D482,341 S *	11/2003	Jauregui et al. ....	D14/151	D638,817 S *	5/2011	Fleming et al. ....	D14/145
D530,303 S *	10/2006	Tang .....	D14/151	D648,330 S *	11/2011	Fischer .....	D14/226
D550,195 S *	9/2007	Ju .....	D14/151	D665,347 S *	8/2012	Chen .....	D13/108
D594,439 S *	6/2009	Jeon et al. ....	D14/151	D671,518 S *	11/2012	Ookawa et al. ....	D14/149
D597,057 S *	7/2009	Sheppard .....	D14/142	D686,183 S *	7/2013	Basart et al. ....	D14/151
				D709,852 S *	7/2014	Yoshida .....	D14/151
				2006/0058003 A1 *	3/2006	Lee .....	455/403
				2010/0322410 A1 *	12/2010	Lin et al. ....	379/428.03

\* cited by examiner

FIG.1

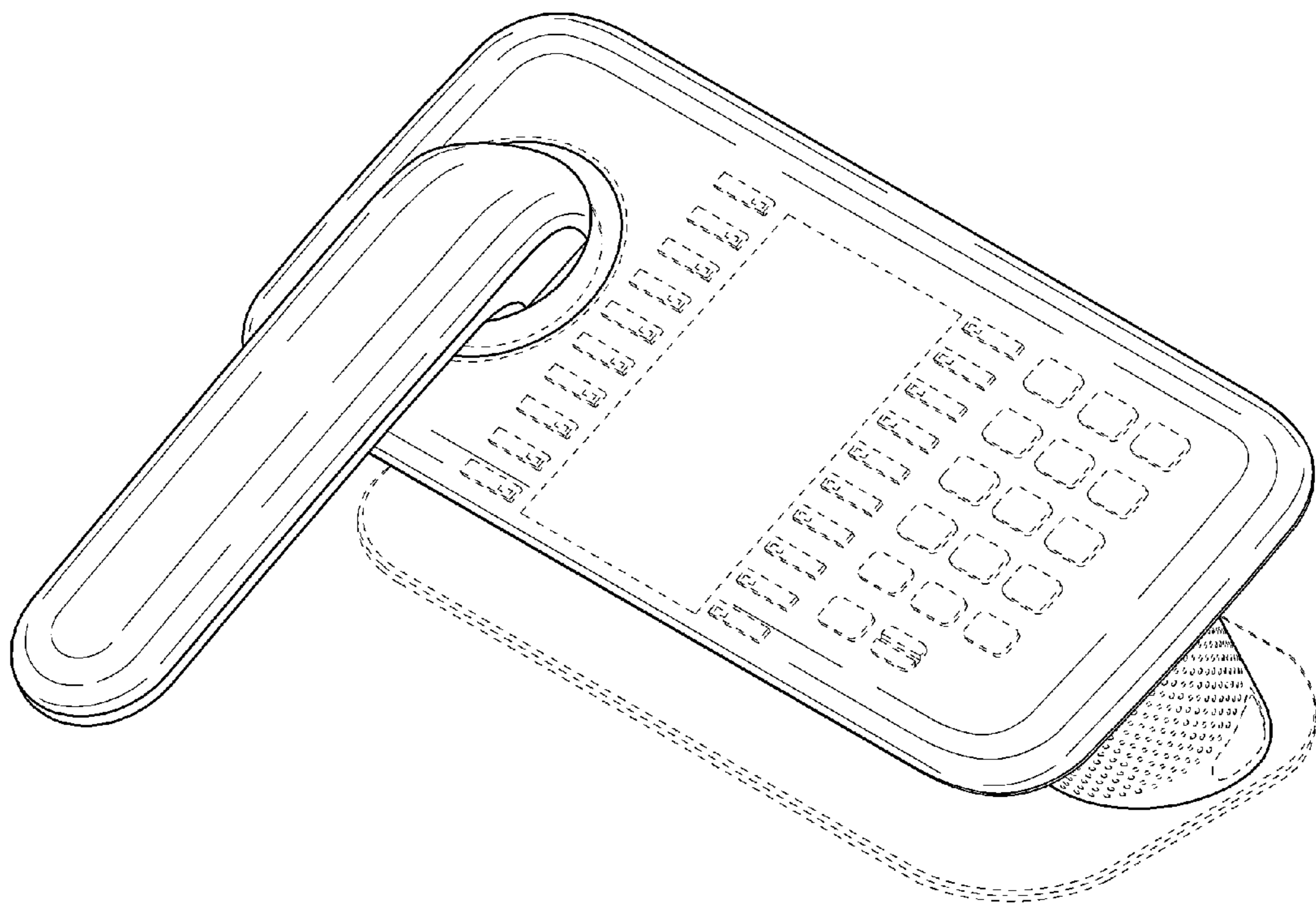


FIG.2

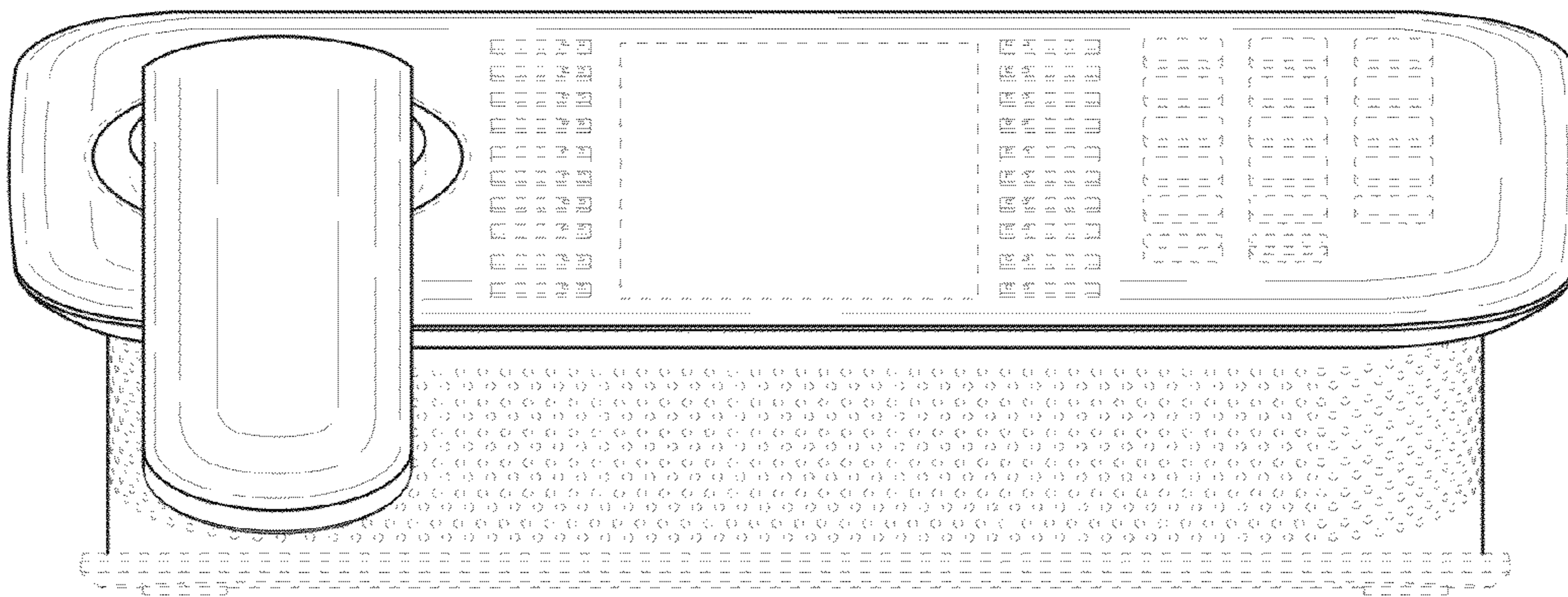


FIG.3

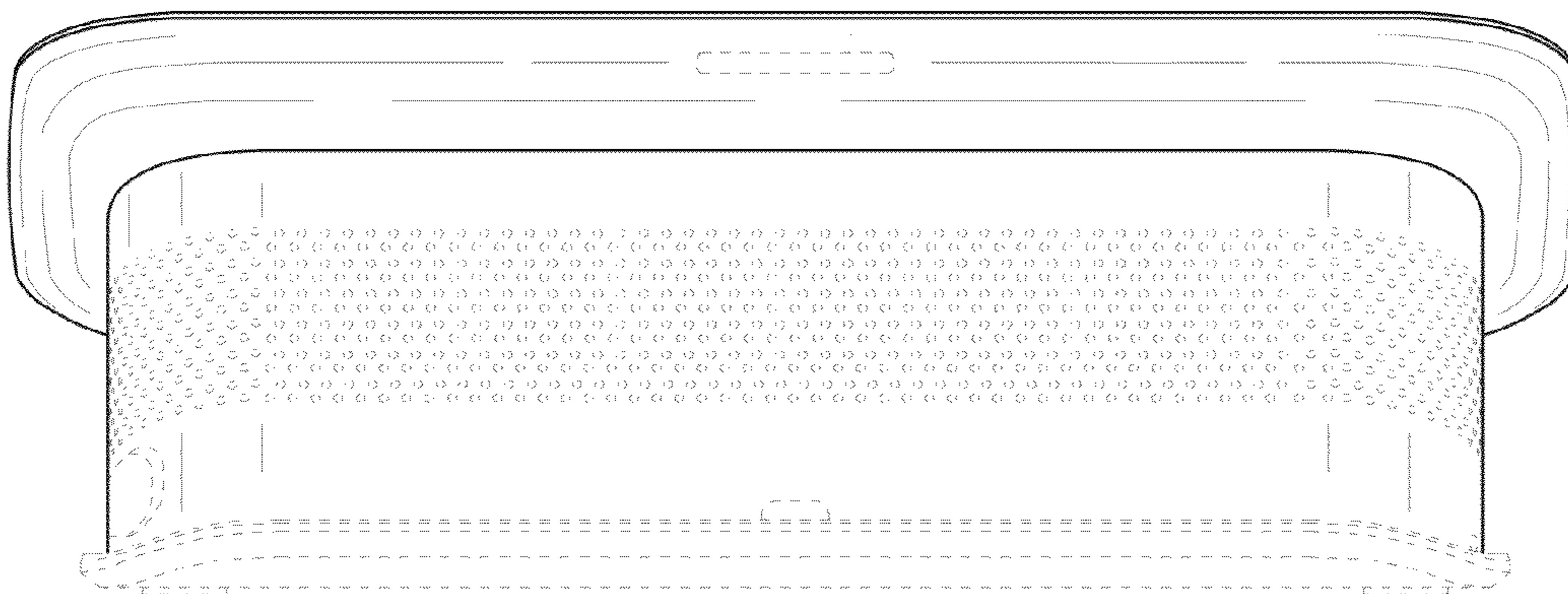


FIG.4

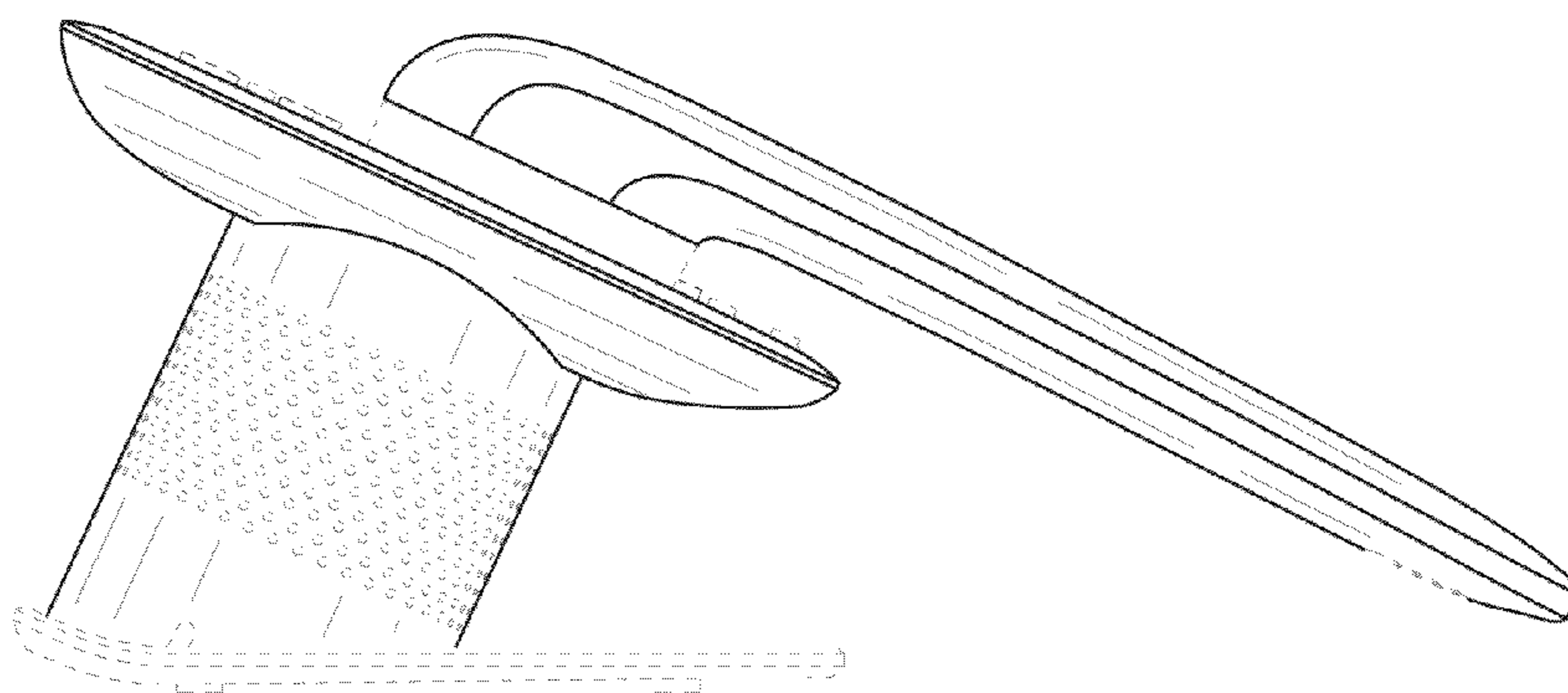


FIG.5

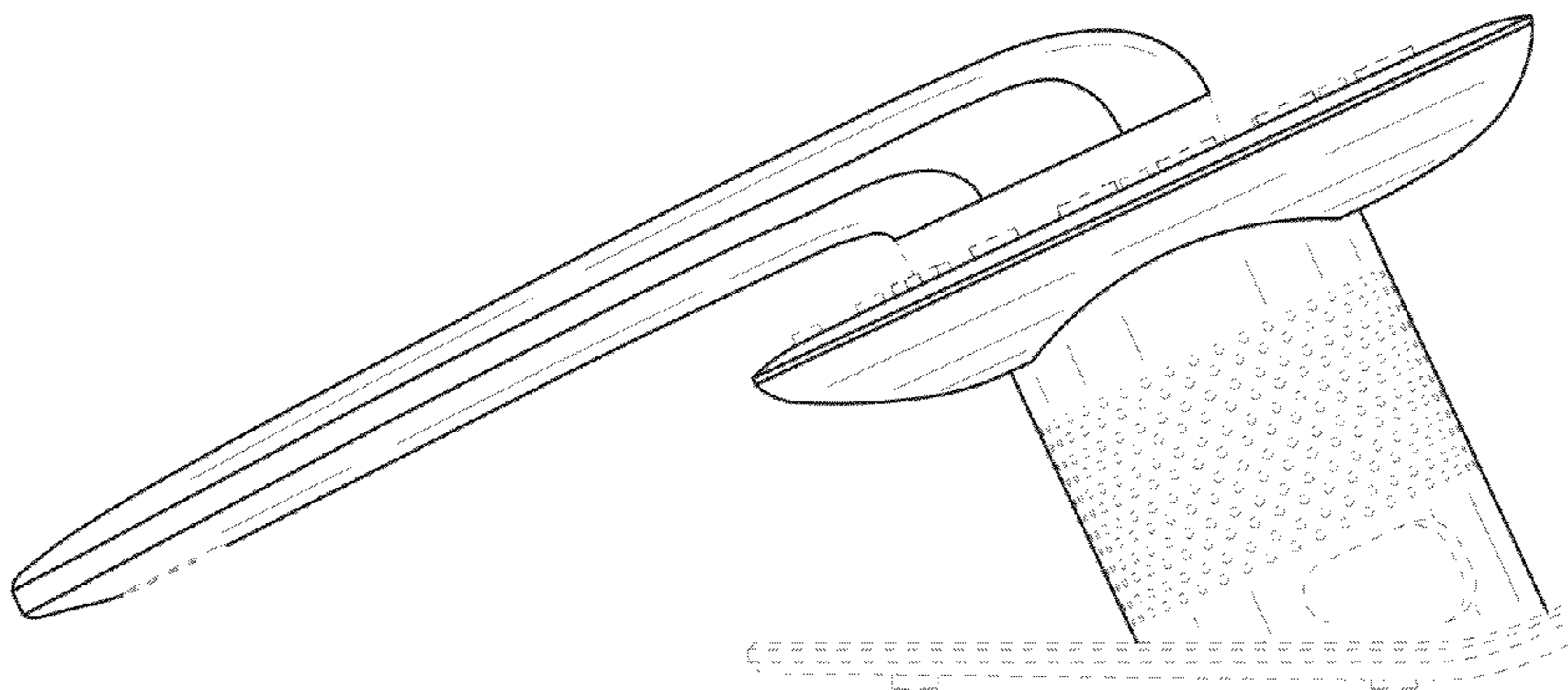


FIG.6

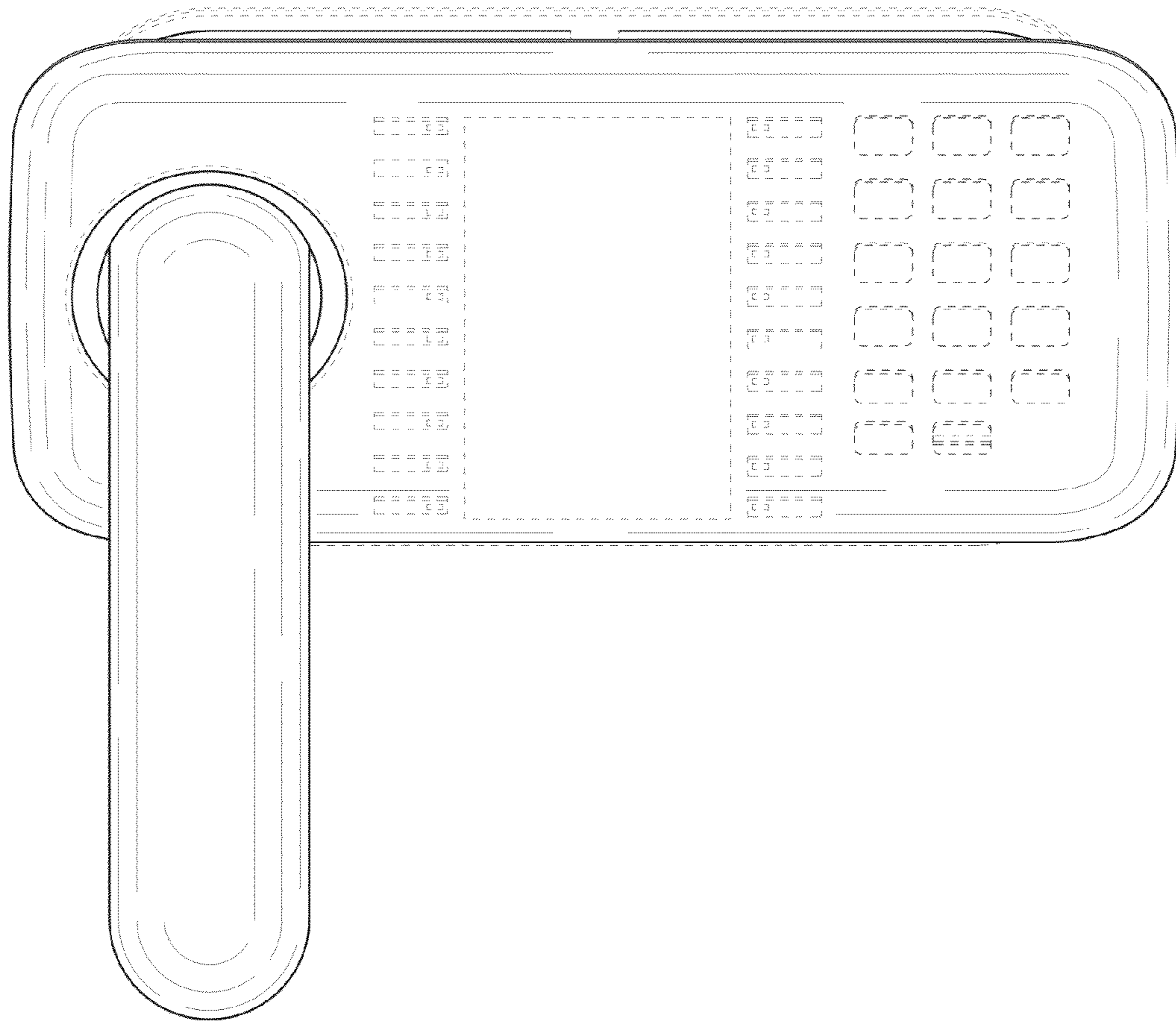


FIG.7

