



US00D742846S

(12) **United States Design Patent**  
**Kang et al.**

(10) **Patent No.:** **US D742,846 S**  
(45) **Date of Patent:** **\*\* Nov. 10, 2015**

(54) **MONITOR**

(71) Applicant: **LG Electronics Inc.**, Seoul (KR)

(72) Inventors: **Seokkyu Kang**, Seoul (KR); **Sanghyeun Son**, Incheon (KR); **Ilsoo Yeom**, Seoul (KR); **Younghun Jang**, Seoul (KR); **Hongyoul Choi**, Gyeonggi-do (KR)

(73) Assignee: **LG Electronics Inc.**, Seoul (KR)

(\*\*) Term: **14 Years**

(21) Appl. No.: **29/490,825**

(22) Filed: **May 14, 2014**

(30) **Foreign Application Priority Data**

Nov. 18, 2013 (KR) ..... 30-2013-0057947

(51) **LOC (10) Cl.** ..... **14-03**

(52) **U.S. Cl.**  
USPC ..... **D14/126; D14/129**

(58) **Field of Classification Search**  
USPC ..... D14/125-134, 239, 371, 136, 374-377, D14/440, 450, 448, 336, 342, 159; 312/7.2; 348/836, 838, 180, 184, 325, 739; 248/917-924, 465; 345/104, 133, 156, 345/168, 87, 173; D21/329, 515, 577, 622, D21/333, 433, 448, 452, 450, 331, 505; D10/15, 26; 446/484, 175, 356; D6/477, 479, 300  
CPC ... G06F 1/1601; G06F 1/1643; H05K 5/0004; H05K 5/0017; H05K 5/02; H05K 5/0217  
See application file for complete search history.

(56) **References Cited**

**U.S. PATENT DOCUMENTS**

D528,517 S \* 9/2006 Izumi ..... D14/126  
D528,518 S \* 9/2006 Kim ..... D14/126

D579,426 S \* 10/2008 Kim et al. .... D14/126  
D629,372 S \* 12/2010 Lim et al. .... D14/126  
D643,002 S \* 8/2011 Choi et al. .... D14/126  
D646,242 S \* 10/2011 Honda ..... D14/126  
D718,264 S \* 11/2014 Park et al. .... D14/126  
D719,119 S \* 12/2014 Park et al. .... D14/126  
D722,300 S \* 2/2015 Won ..... D14/126  
D723,487 S \* 3/2015 Lee et al. .... D14/126  
D728,498 S \* 5/2015 Park et al. .... D14/126  
D728,499 S \* 5/2015 Park et al. .... D14/126  
D728,500 S \* 5/2015 Park et al. .... D14/126  
D729,185 S \* 5/2015 Park et al. .... D14/126

\* cited by examiner

*Primary Examiner* — Raphael Barkai

(74) *Attorney, Agent, or Firm* — Morgan, Lewis & Bockius LLP

(57) **CLAIM**

The ornamental design for a monitor, as shown and described.

**DESCRIPTION**

FIG. 1 is a perspective view of a monitor showing our new design;  
FIG. 2 is a front view thereof;  
FIG. 3 is a rear view thereof;  
FIG. 4 is a left side view thereof;  
FIG. 5 is a right side view thereof;  
FIG. 6 is a top plan view thereof;  
FIG. 7 is a bottom plan view thereof;  
FIG. 8 is a perspective view thereof in a condition that a mobile phone has been docked; and,  
FIG. 9 is a perspective view thereof in a condition that the docking part has been swivelled backwards.  
The broken lines show unclaimed subject matter only and form no part of the claimed design.

**1 Claim, 9 Drawing Sheets**

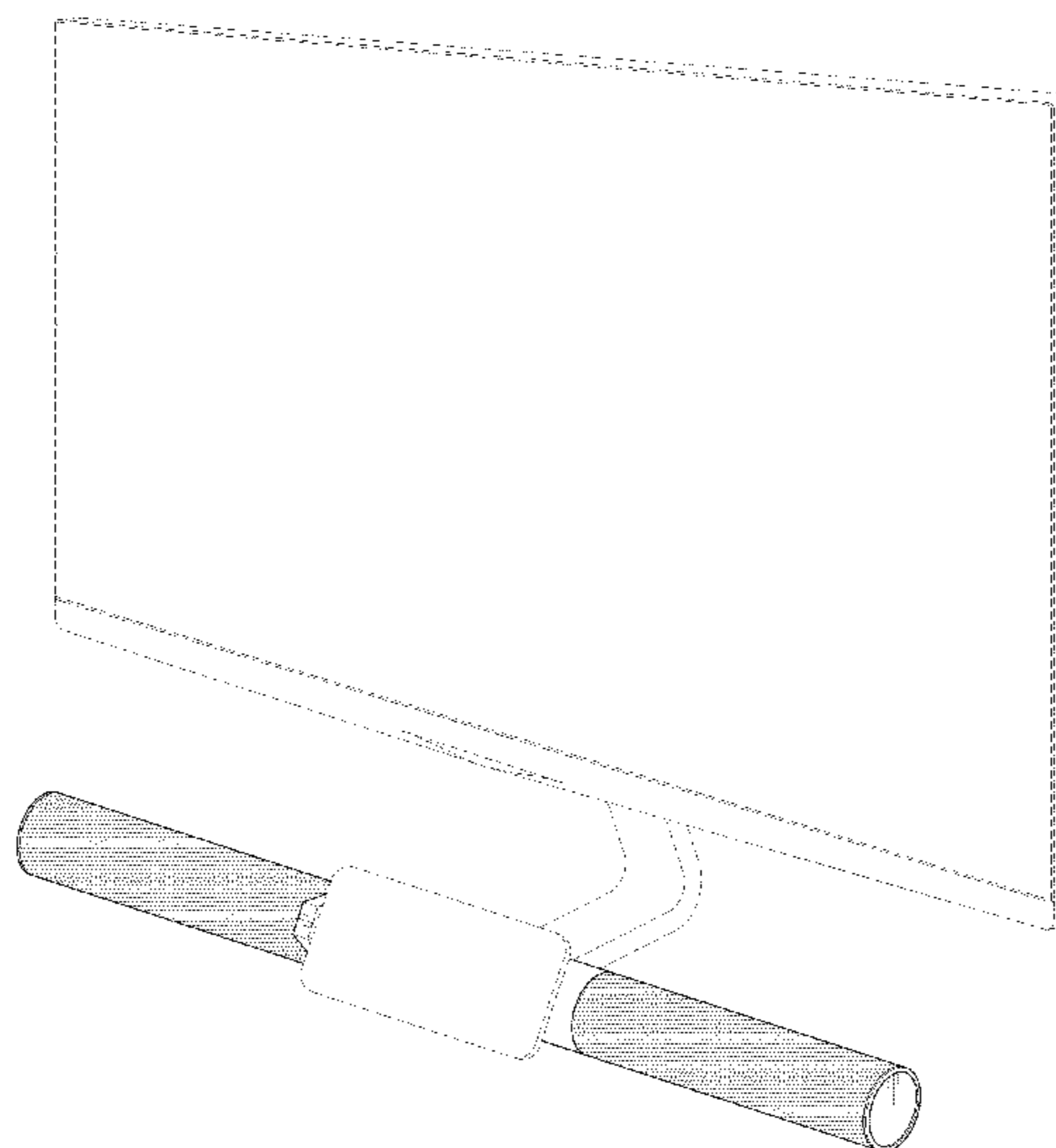


FIG. 1

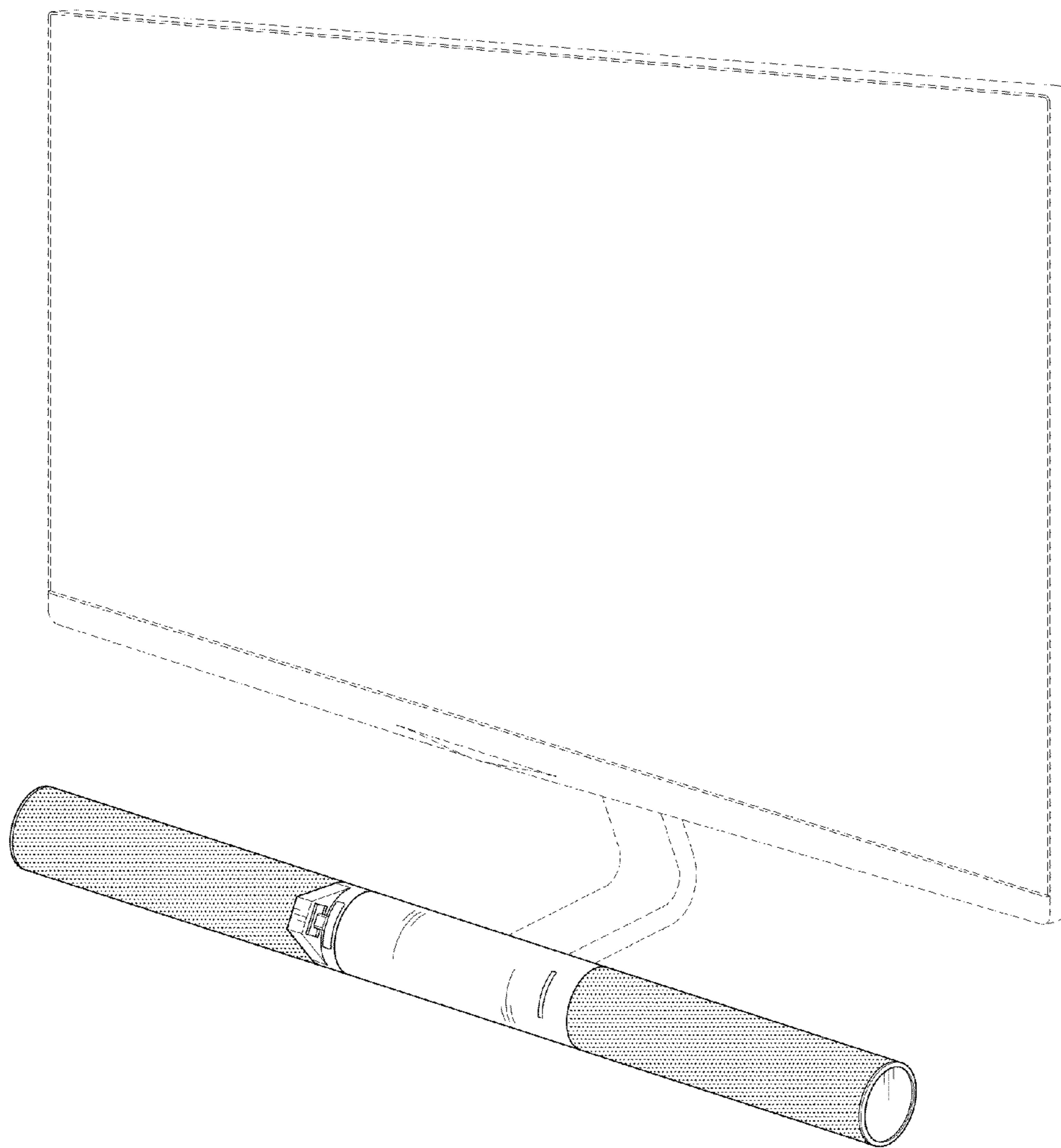


FIG. 2

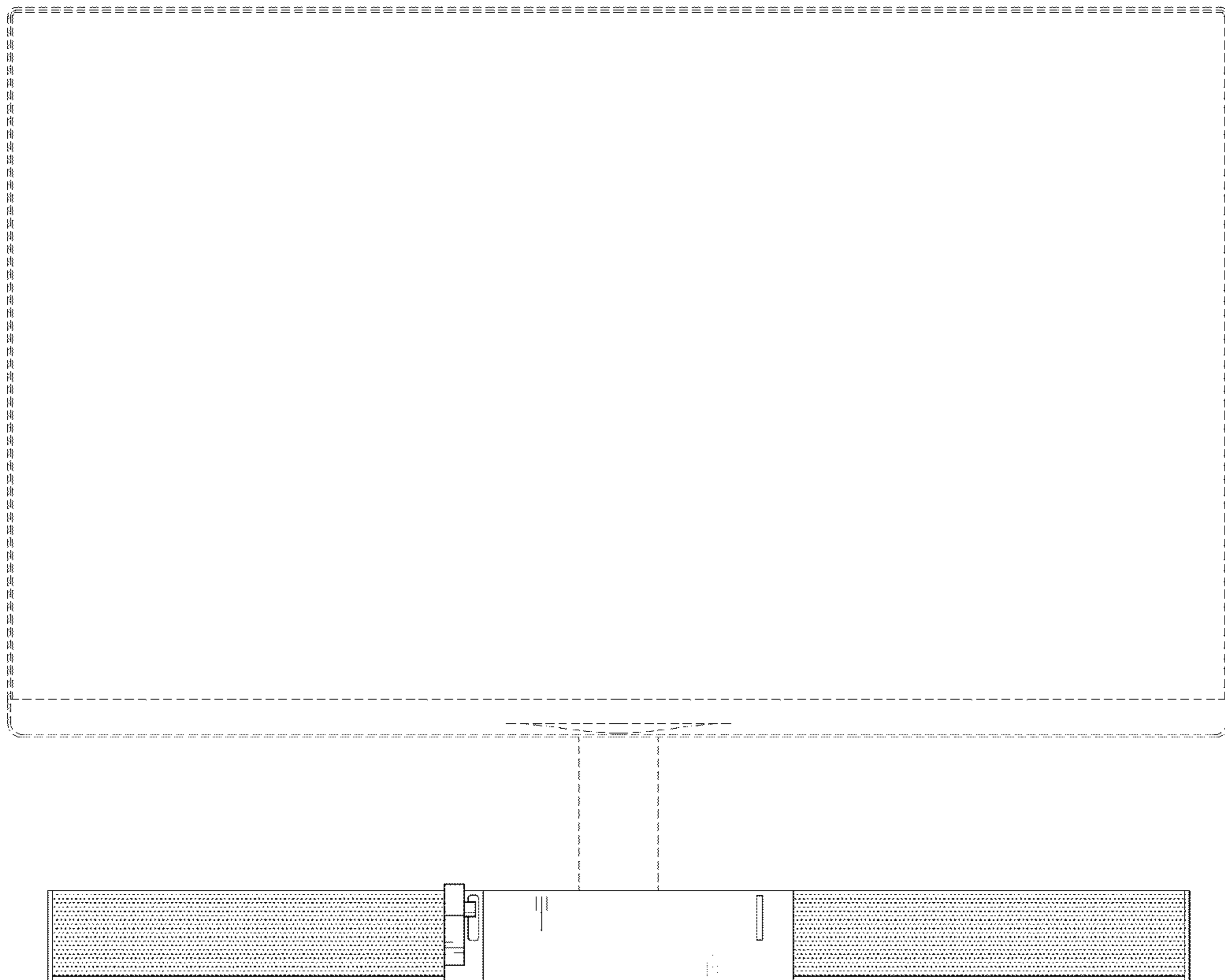


FIG. 3

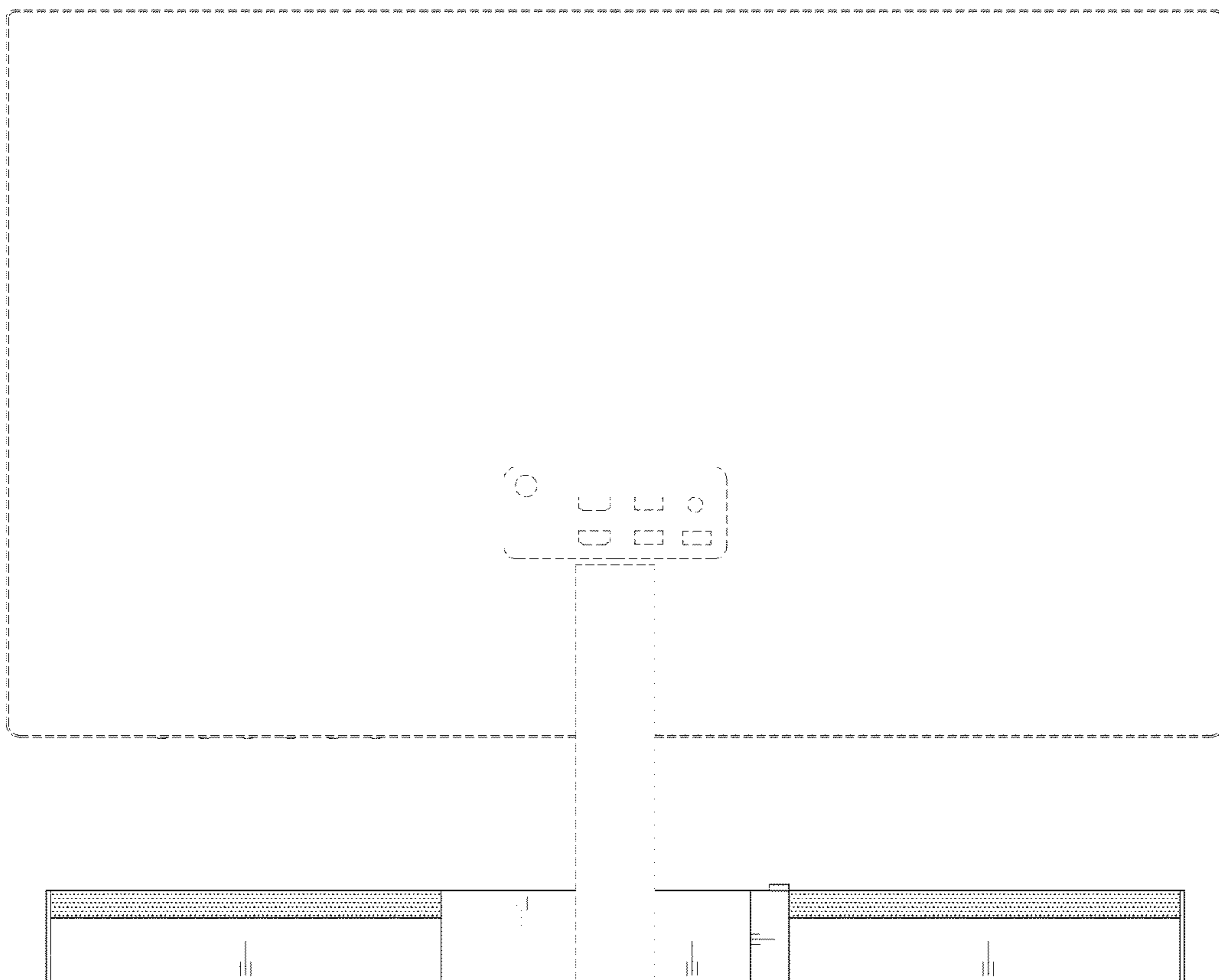


FIG. 4

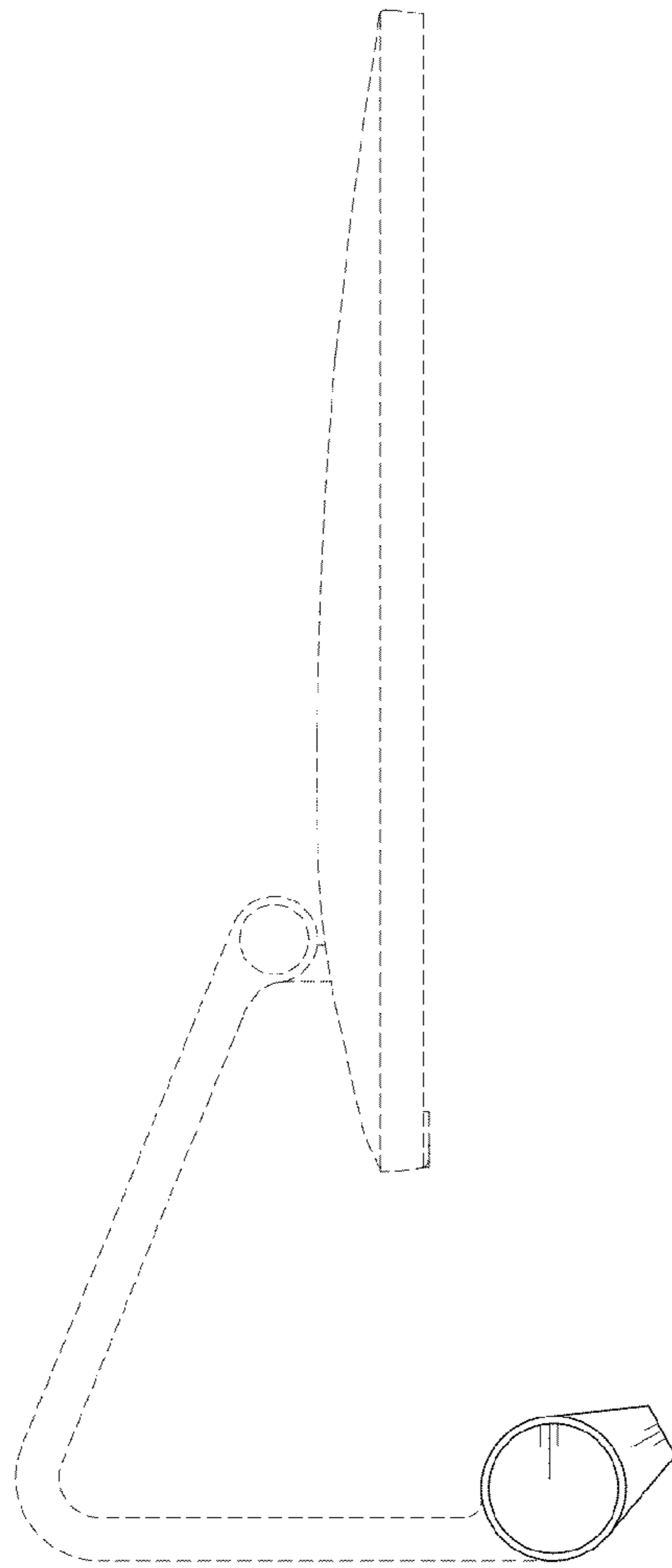


FIG. 5

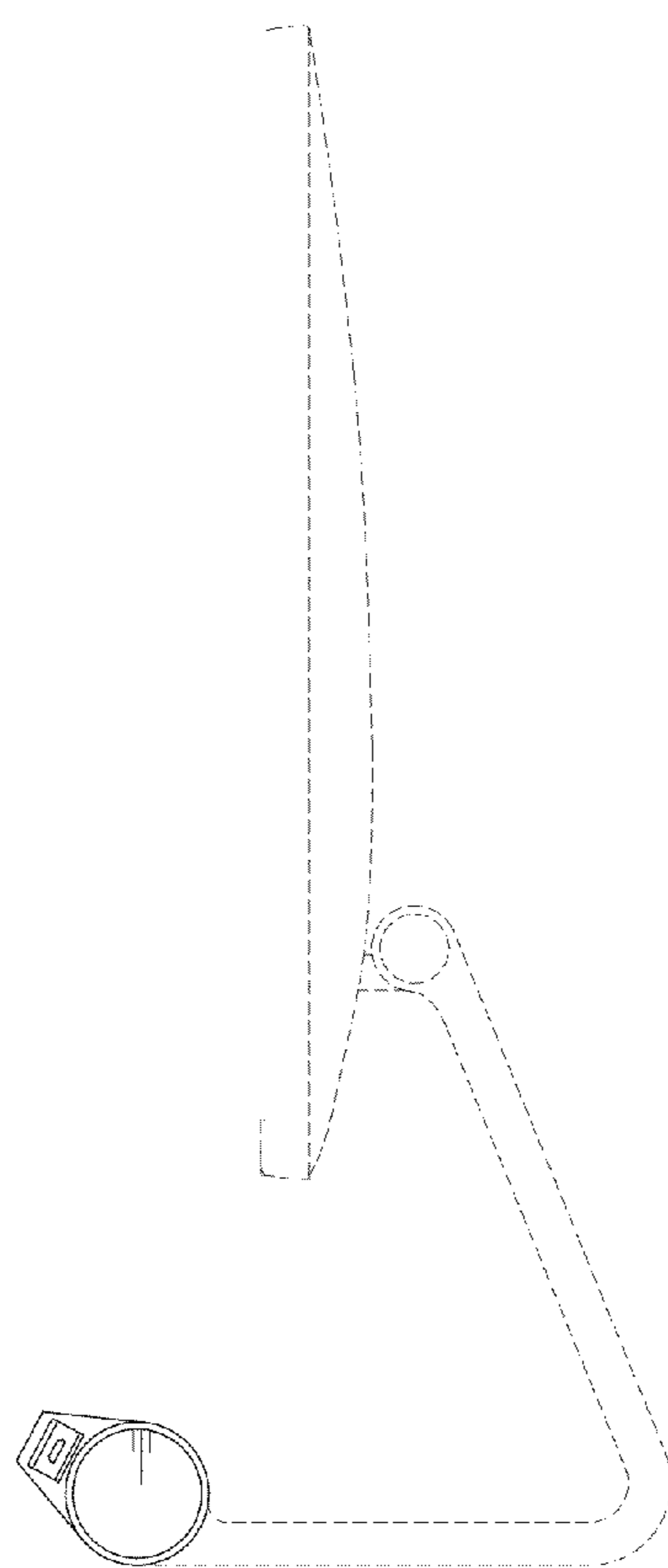


FIG. 6

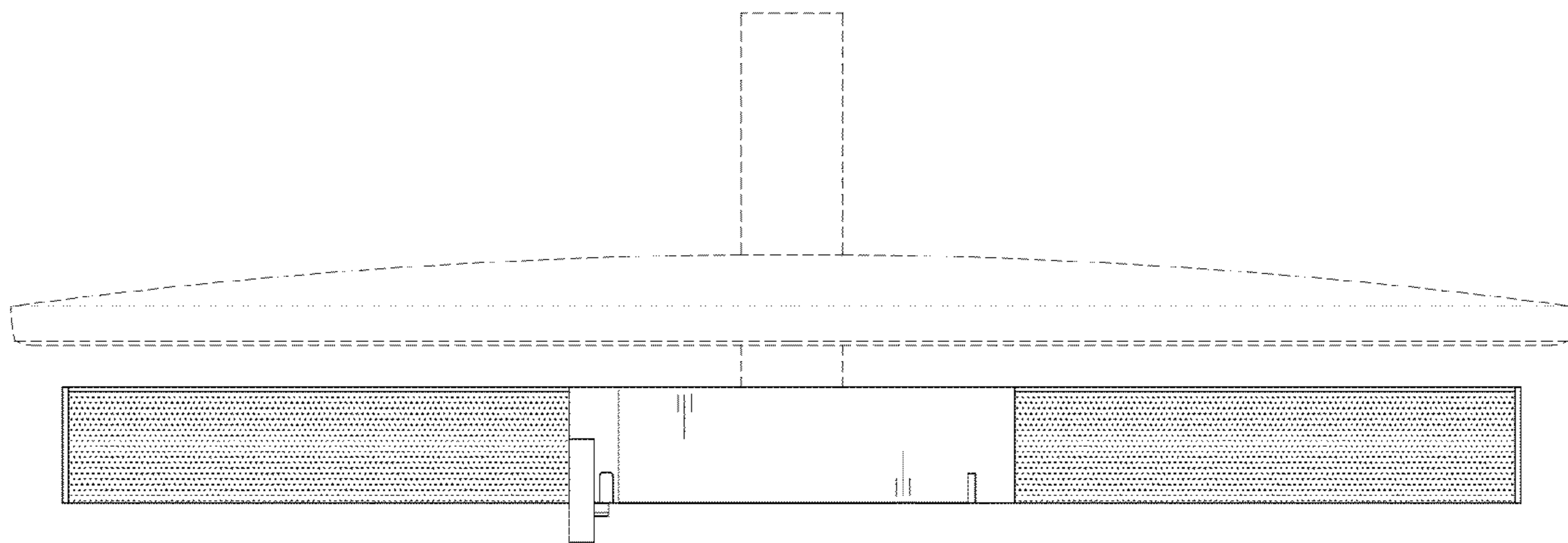


FIG. 7

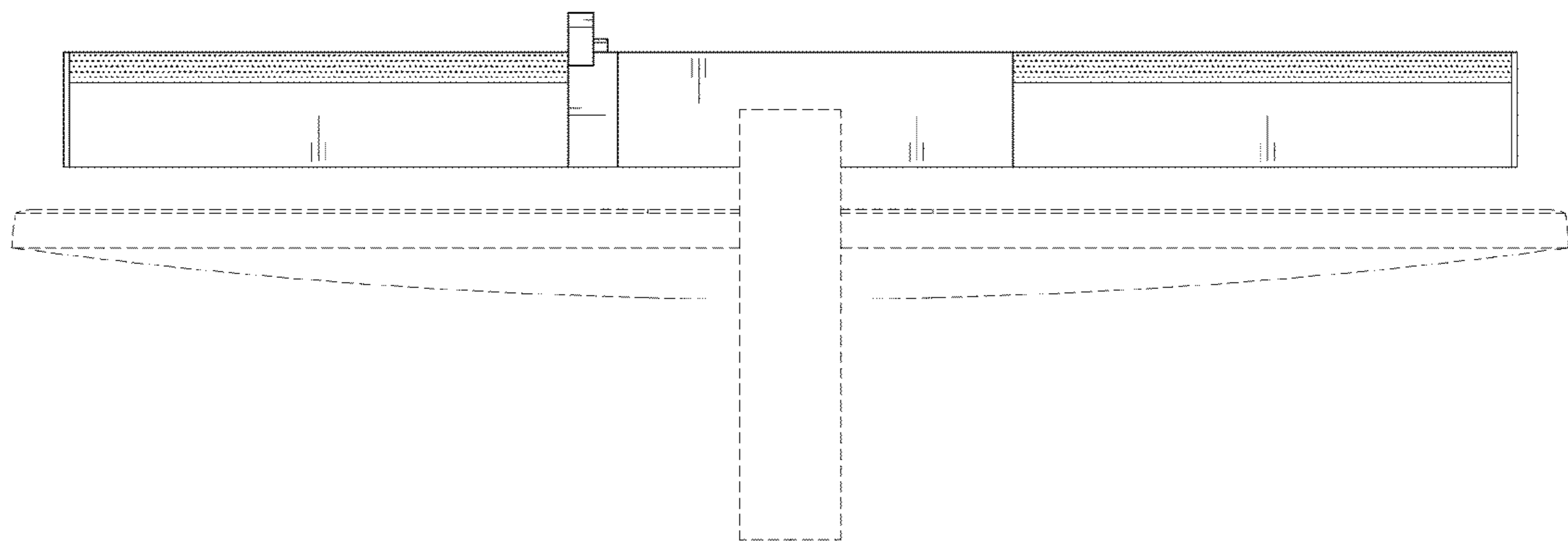




FIG. 8

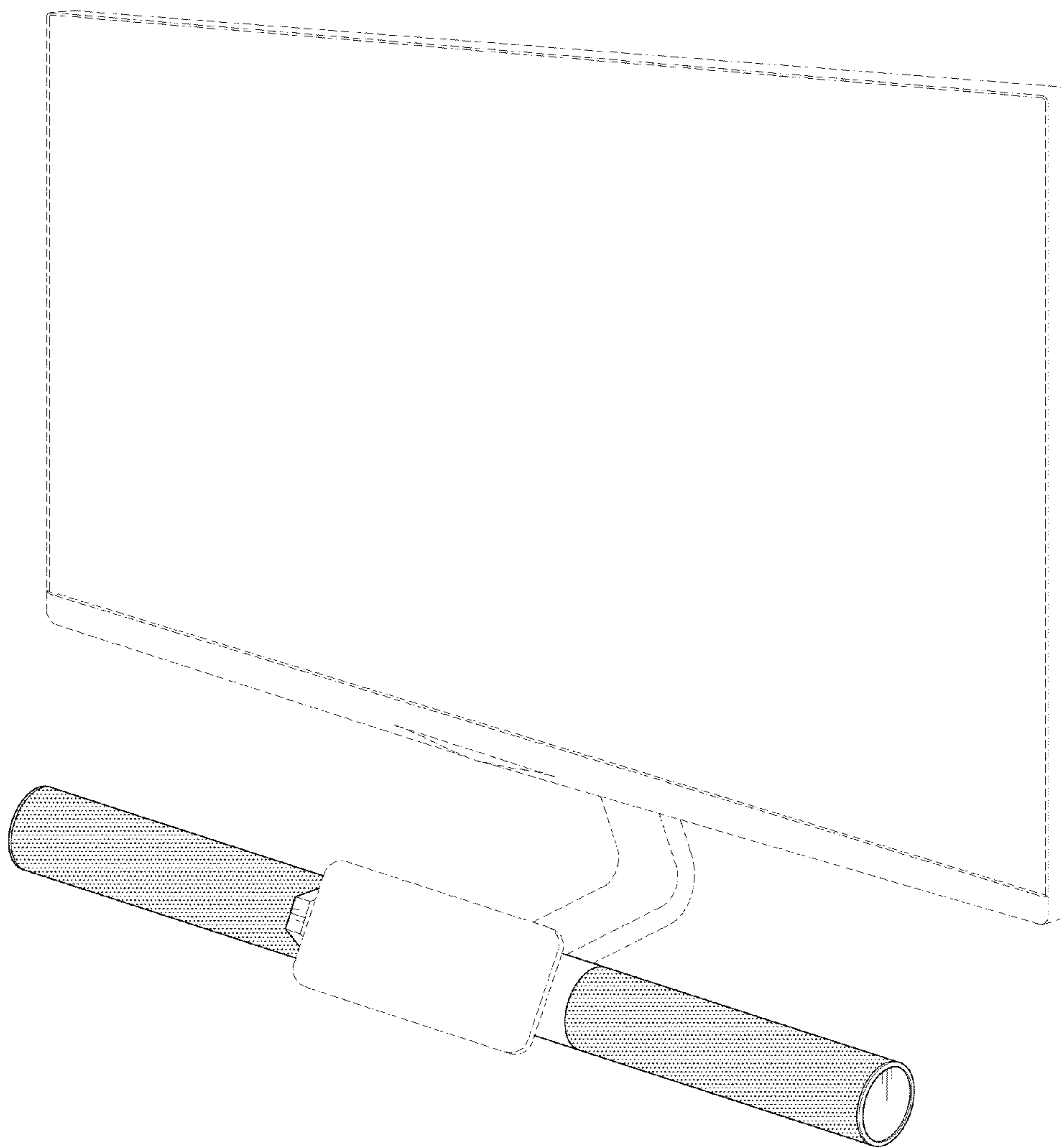


FIG. 9

