



US00D742842S

(12) **United States Design Patent**
Hayashi

(10) **Patent No.:** **US D742,842 S**
(45) **Date of Patent:** **** Nov. 10, 2015**

(54) **ELECTRICAL CURRENT TRANSDUCER**

(56) **References Cited**

(71) Applicant: **LEM Intellectual Property SA,**
Fribourg (CH)

U.S. PATENT DOCUMENTS

(72) Inventor: **Takayuki Hayashi,** Tokyo (JP)

D420,983	S	*	2/2000	Choi	D13/182
D427,977	S	*	7/2000	Takizawa et al.	D13/182
D476,296	S	*	6/2003	Koizumi	D13/182
D489,695	S	*	5/2004	Komoto	D13/182
D515,520	S	*	2/2006	Komoto	D13/182
D573,116	S	*	7/2008	Chou et al.	D13/182
D606,951	S	*	12/2009	Soyano et al.	D13/182
D616,387	S	*	5/2010	Chou et al.	D13/182
D654,881	S	*	2/2012	Chou et al.	D13/182
D705,184	S	*	5/2014	Takahashi et al.	D13/182
D717,253	S	*	11/2014	Jo et al.	D13/182
D719,926	S	*	12/2014	Sohn et al.	D13/182
8,928,337	B2	*	1/2015	Kesler et al.	324/654
8,963,562	B2	*	2/2015	Basu et al.	324/654
2011/0163770	A1	*	7/2011	Mahalingam et al.	324/693

(73) Assignee: **LEM INTELLECTUAL PROPERTY SA,** Fribourg (CH)

(**) Term: **14 Years**

(21) Appl. No.: **29/503,048**

(22) Filed: **Sep. 23, 2014**

* cited by examiner

(30) **Foreign Application Priority Data**

Mar. 24, 2014 (WO) DM/083 242

(51) **LOC (10) Cl.** **13-03**

(52) **U.S. Cl.**
USPC **D13/182**

(58) **Field of Classification Search**
USPC D13/101, 110, 123, 133, 182;
73/861.08; 324/439-450, 600, 603,
324/605, 609, 629, 654; 702/45, 47, 52, 53;
600/393, 547; 378/21
CPC ... G01N 27/026; G01N 33/2823; G01R 5/00;
G01R 5/20; G01R 5/22; G01R 5/24; G01R
5/26; G01R 5/28; G01R 5/32; G01R 7/00;
G01R 7/02; G01R 15/20; G01R 19/00;
G01R 19/0092; G01R 19/0084; G01R 19/20;
G01R 19/18; G01R 19/22

See application file for complete search history.

Primary Examiner — Elizabeth J Oswecki
(74) *Attorney, Agent, or Firm* — Harness, Dickey & Pierce, P.L.C.

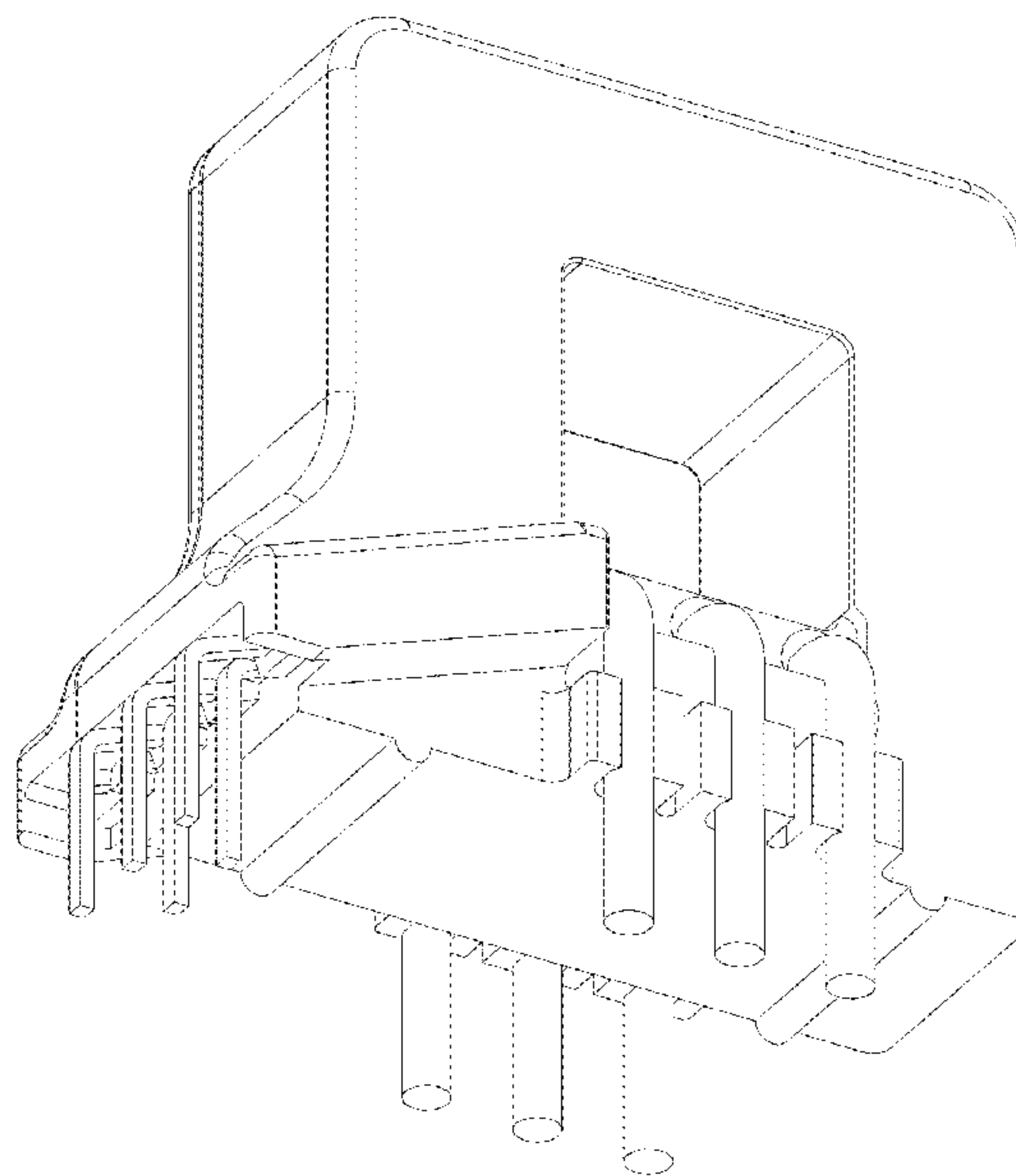
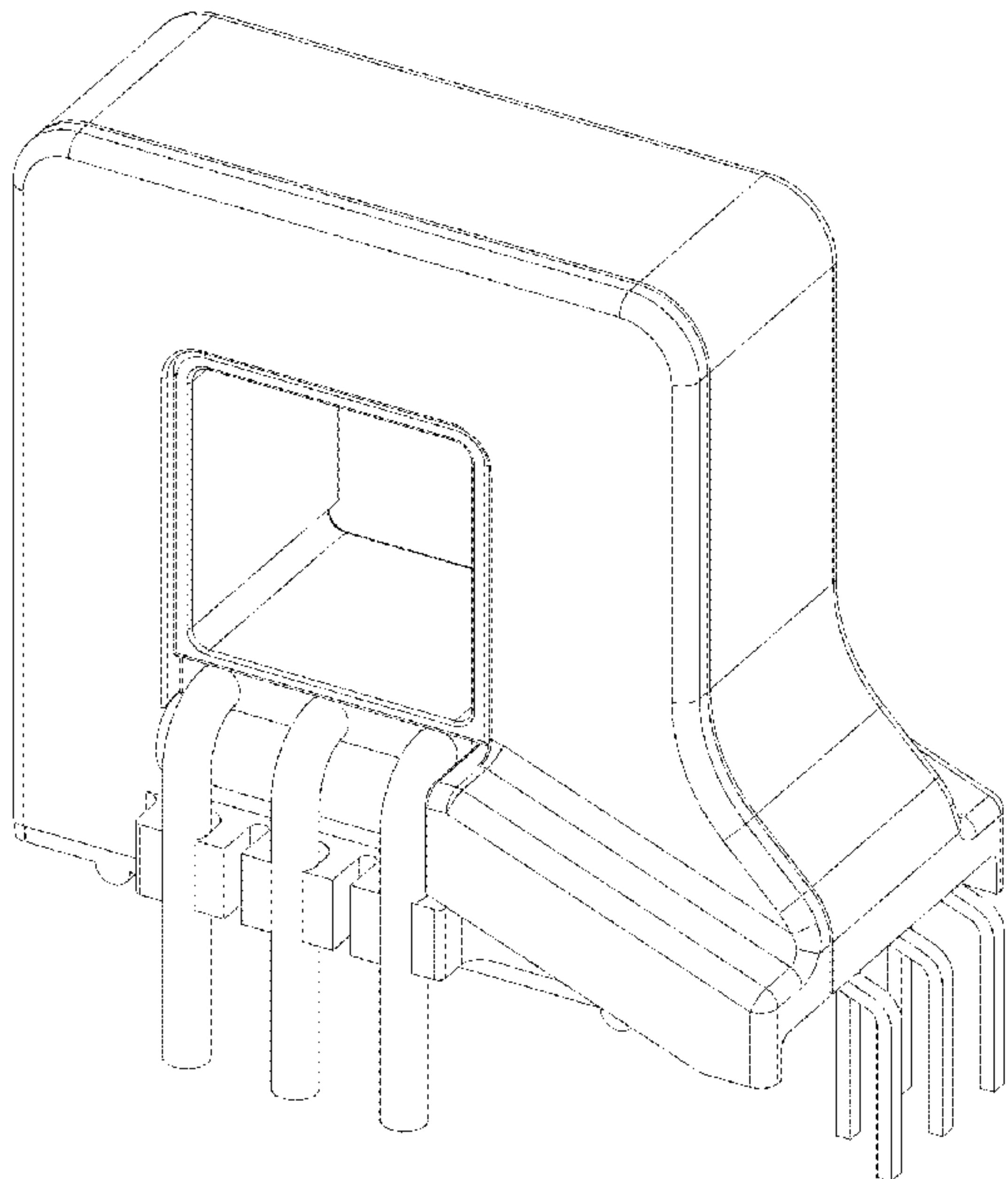
(57) **CLAIM**

The ornamental design for the electrical current transducer, as shown and described above.

DESCRIPTION

FIG. 1 is top left perspective view of an electrical current transducer showing my new design;
FIG. 2 is bottom right perspective view thereof;
FIG. 3 is a front elevational view thereof;
FIG. 4 is a rear elevational view thereof;
FIG. 5 is a top plan view thereof;
FIG. 6 is a bottom plan view thereof;
FIG. 7 is a left side view thereof; and,
FIG. 8 is a right side view thereof.

1 Claim, 8 Drawing Sheets



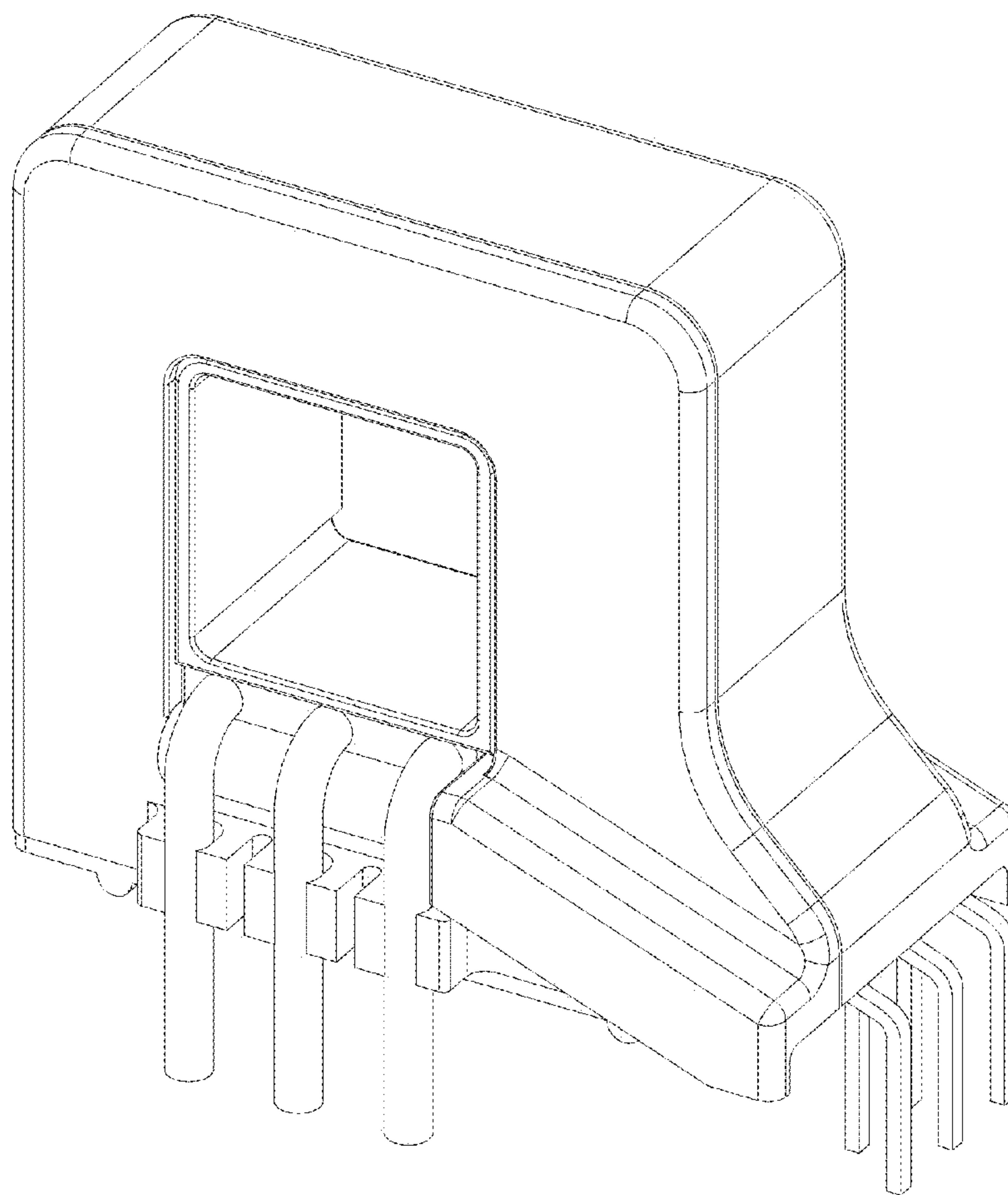


Fig. 1

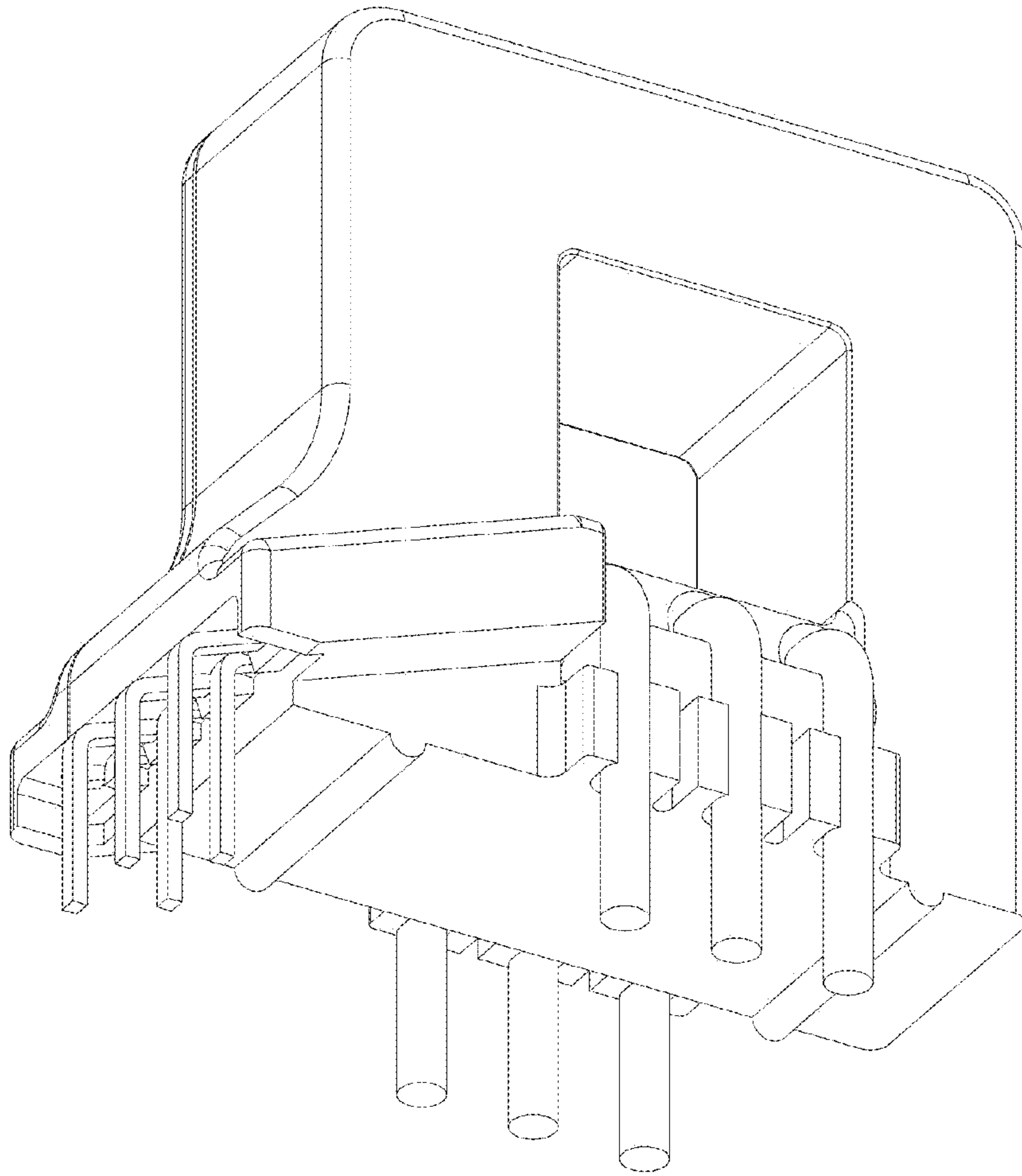


Fig. 2

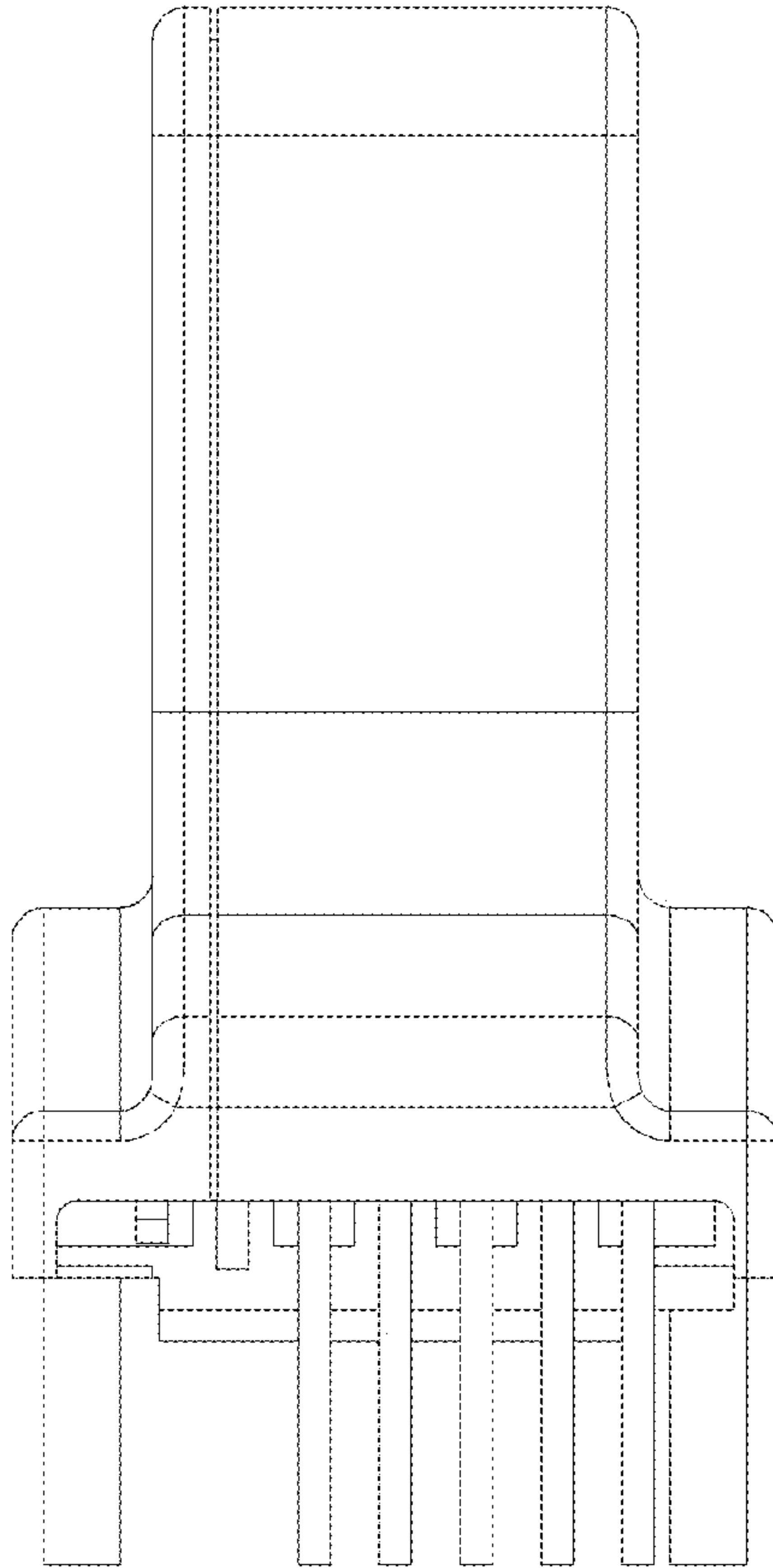


Fig. 3

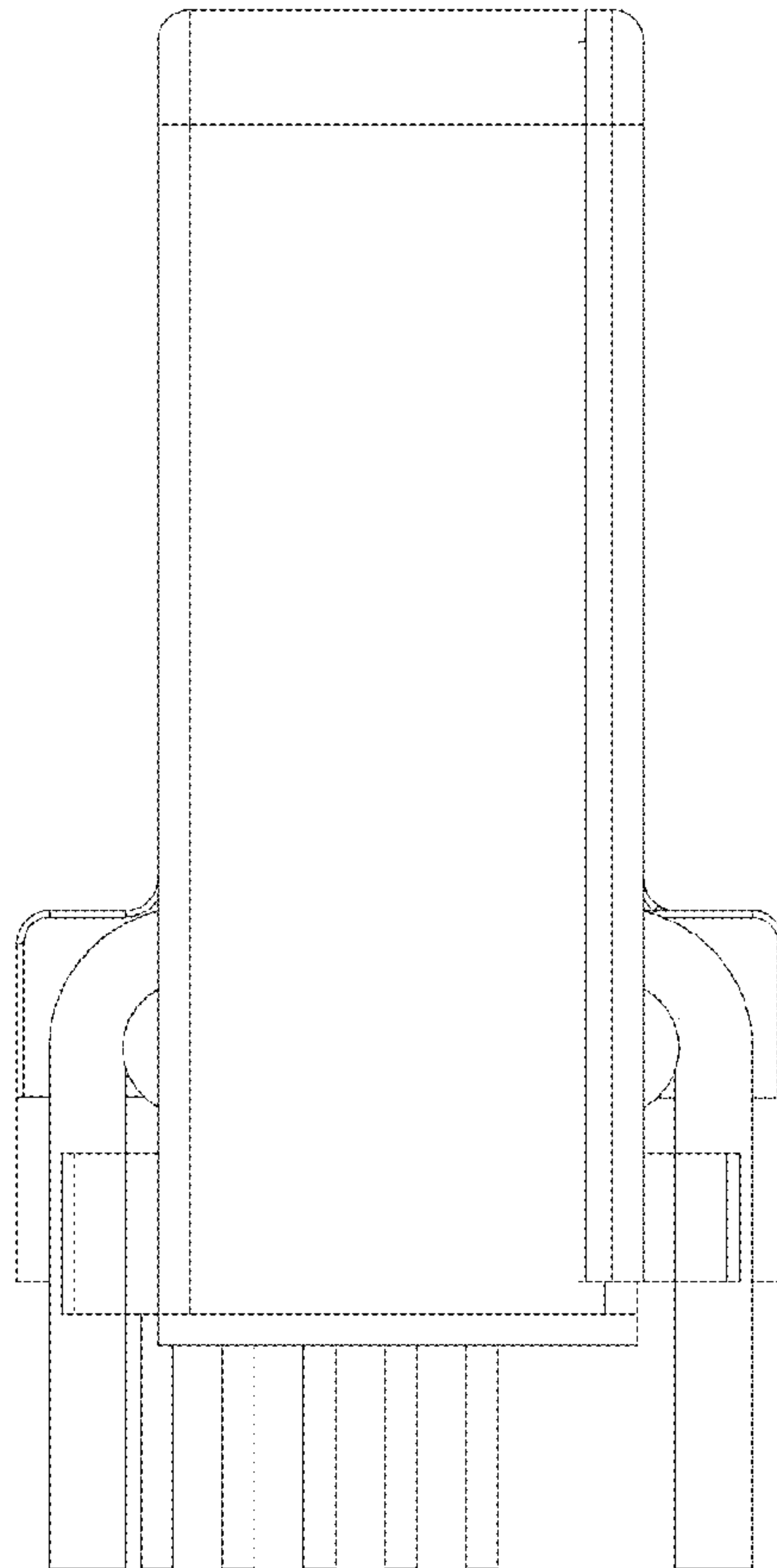


Fig. 4

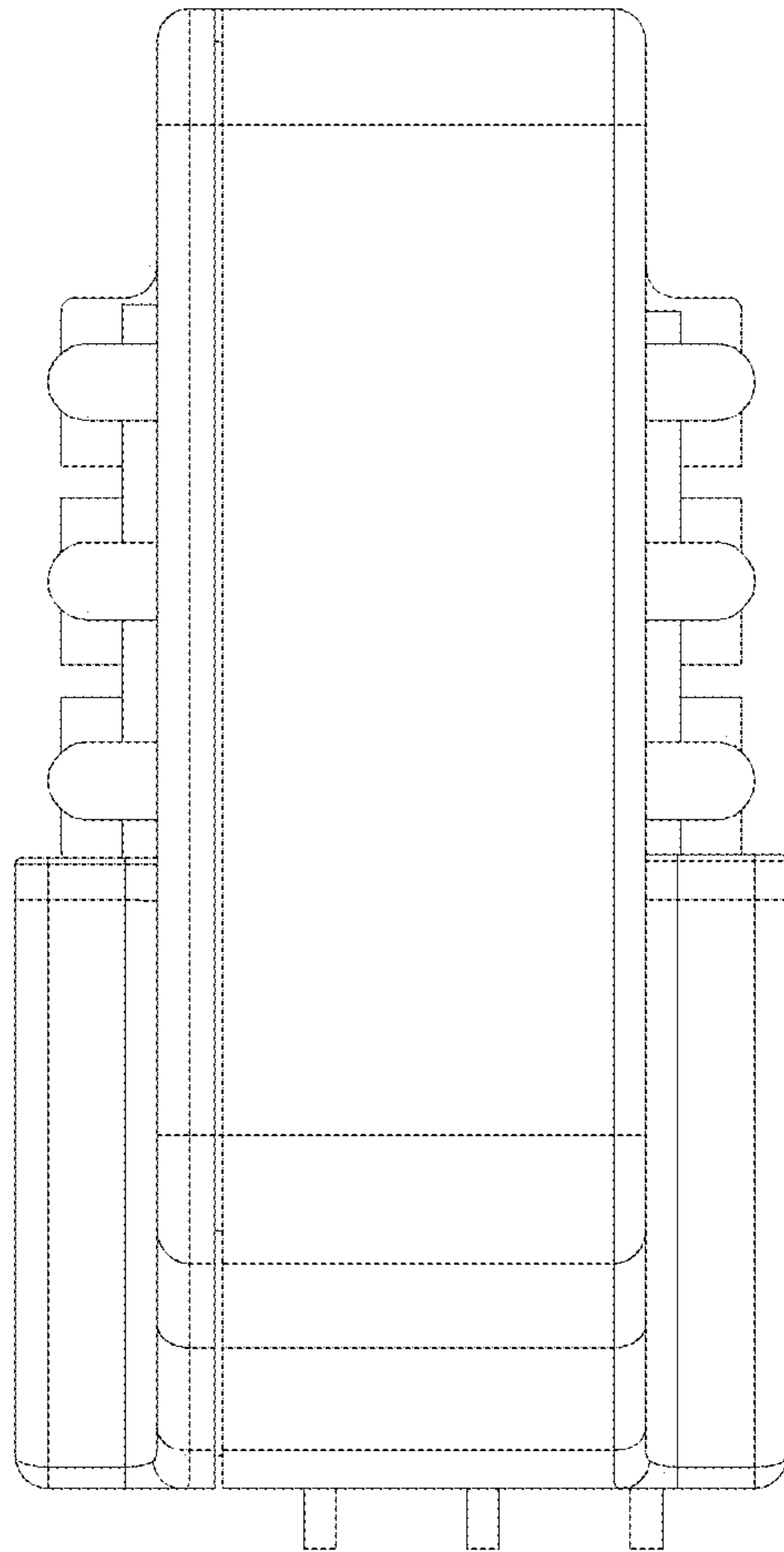


Fig. 5

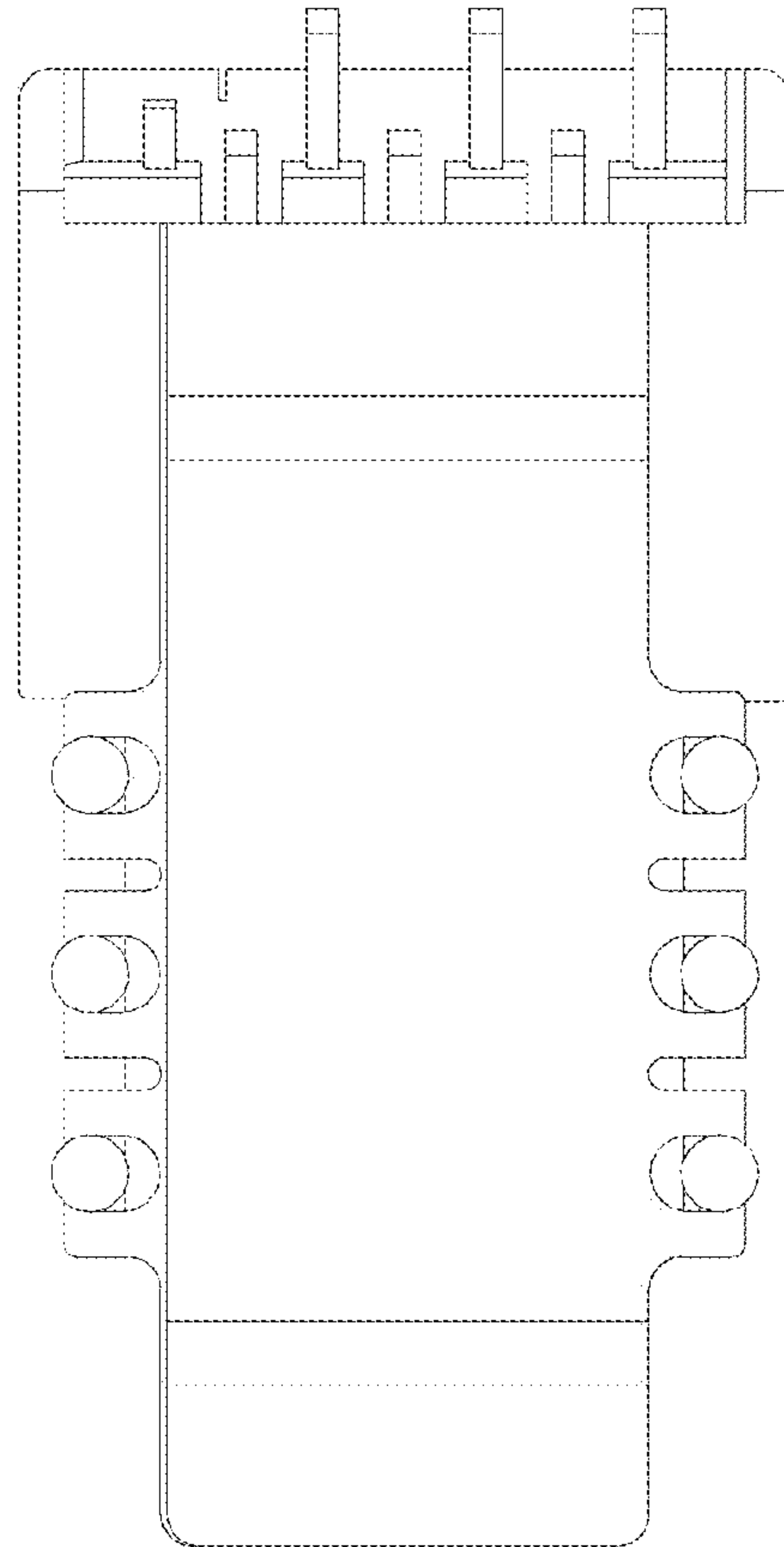


Fig. 6

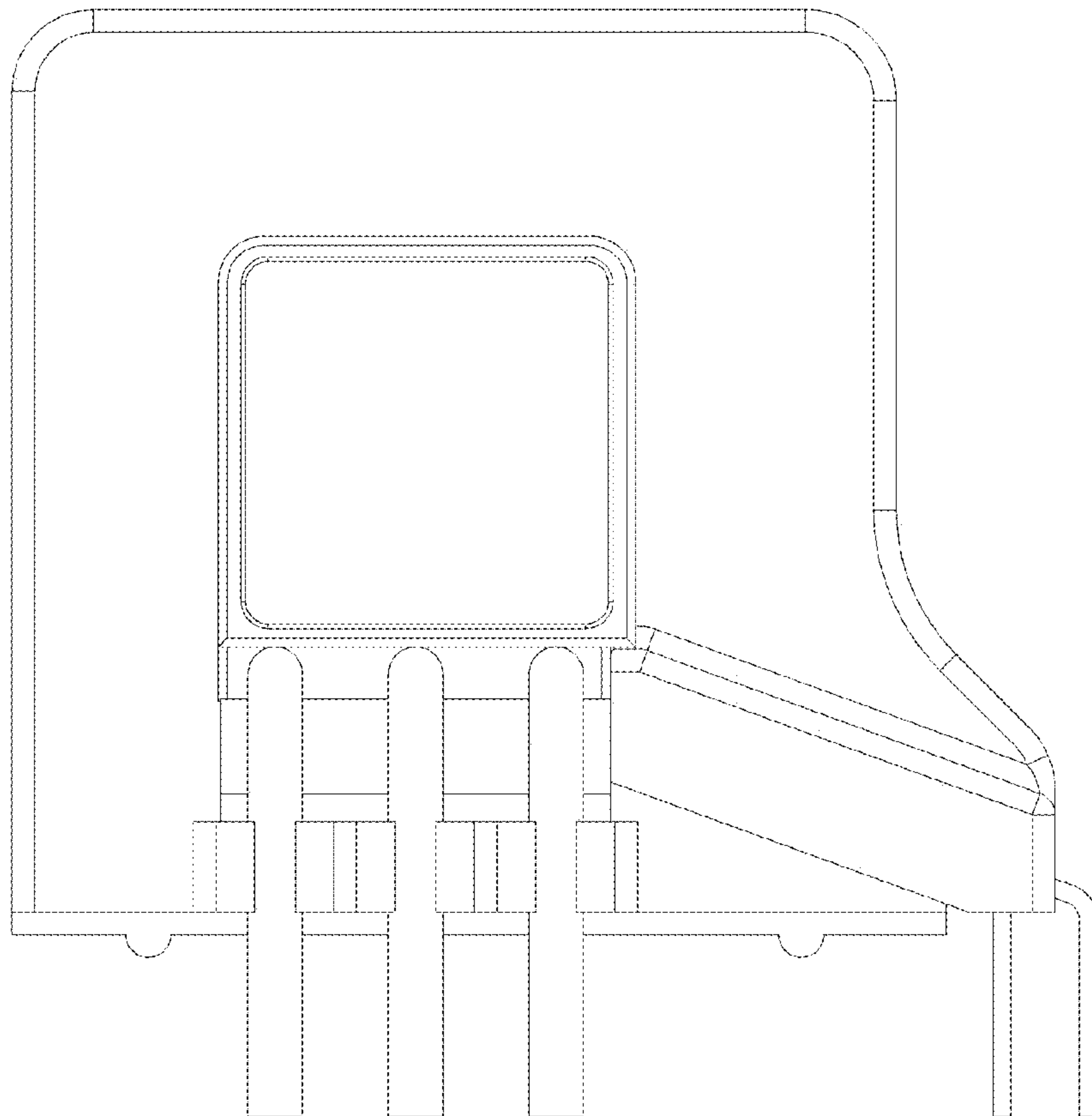


Fig. 7

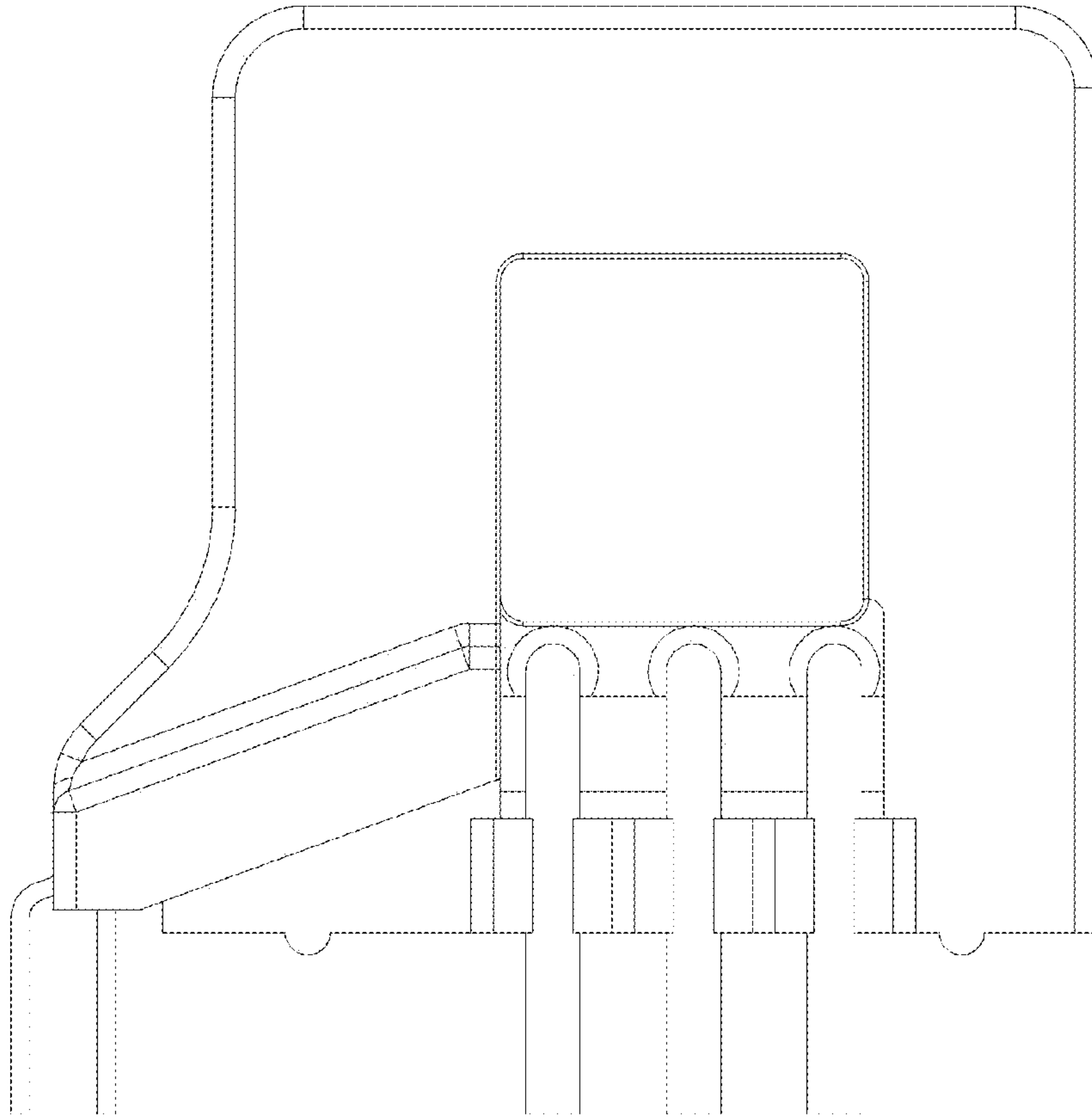


Fig. 8