



US00D742840S

(12) **United States Design Patent**  
**Santos et al.**

(10) **Patent No.:** **US D742,840 S**

(45) **Date of Patent:** **\*\* Nov. 10, 2015**

(54) **INDUSTRIAL CONTROL**

(71) Applicant: **Rockwell Automation Technologies, Inc.**, Mayfield Heights, OH (US)

(72) Inventors: **Roberto Santos**, Hudson, MA (US);  
**Burt Sacherski**, Nashua, NH (US);  
**Richard Galera**, Nashua, NH (US)

(73) Assignee: **Rockwell Automation Technologies, Inc.**, Mayfield Heights, OH (US)

(\*\*) Term: **14 Years**

(21) Appl. No.: **29/472,576**

(22) Filed: **Nov. 13, 2013**

(51) **LOC (10) Cl.** ..... **13-03**

(52) **U.S. Cl.**  
USPC ..... **D13/162**

(58) **Field of Classification Search**  
USPC ..... D13/158, 160, 174, 178, 199;  
200/43.01, 43.11, 43.16, 43.18, 334  
CPC ..... H01H 3/022; H01H 3/12; H01H 3/20;  
H01H 9/20; H01H 9/22; H01H 9/28; H01H  
9/282; H01H 9/283; H01H 9/285; H01H  
27/0025; H01H 35/02; E05B 13/001  
See application file for complete search history.

(56) **References Cited**

**U.S. PATENT DOCUMENTS**

D252,568	S *	8/1979	Comstock	.....	D13/184
4,656,322	A *	4/1987	Paton et al.	.....	200/50.12
5,894,116	A *	4/1999	Da Dalt	.....	200/43.04
6,118,087	A *	9/2000	Fukui	.....	200/43.04
6,156,984	A *	12/2000	Droessler	.....	200/334
6,307,167	B1 *	10/2001	Kajio et al.	.....	200/43.11

6,310,305	B1 *	10/2001	Kamino et al.	.....	200/43.11
6,459,052	B2 *	10/2002	Kajio et al.	.....	200/43.04
6,720,508	B2 *	4/2004	Moriyama et al.	.....	200/200
7,078,639	B2 *	7/2006	Poyner	.....	200/334
D678,221	S *	3/2013	Lukito	.....	D13/174
D691,964	S *	10/2013	Cuche	.....	D13/158
2005/0082149	A1 *	4/2005	Skarlupka et al.	.....	200/16 B
2009/0194405	A1 *	8/2009	Poyner et al.	.....	200/573
2009/0242371	A1 *	10/2009	Puri et al.	.....	200/338
2009/0321226	A1 *	12/2009	Eisenhower et al.	.....	200/43.04
2013/0134798	A1 *	5/2013	Meftah et al.	.....	307/104
2014/0001015	A1 *	1/2014	Slack	.....	200/43.11
2014/0211358	A1 *	7/2014	Dotson	.....	361/115

\* cited by examiner

*Primary Examiner* — Selina Sikder

(74) *Attorney, Agent, or Firm* — Viksnins Harris & Padys PLLP

(57) **CLAIM**

The ornamental design for an industrial control, as shown and described.

**DESCRIPTION**

FIG. 1 is a perspective view of an industrial control showing our new design.

FIG. 2 is a front elevational view of the industrial control of FIG. 1.

FIG. 3 is a rear view of the industrial control of FIG. 1.

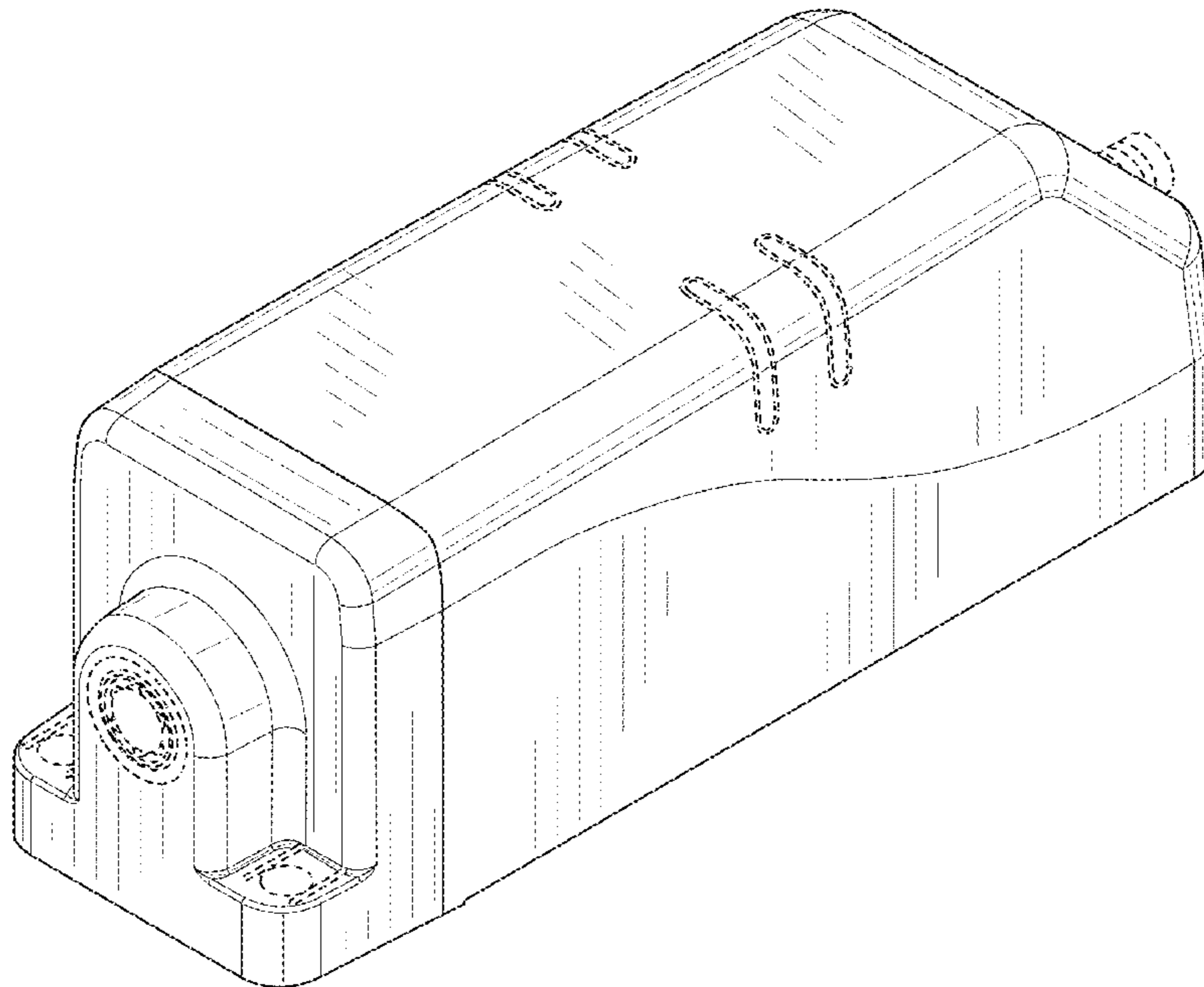
FIG. 4 is a first side view of the industrial control of FIG. 1.

FIG. 5 is a second side view of the industrial control of FIG. 1.

FIG. 6 is a top view of the industrial control of FIG. 1; and, FIG. 7 is a bottom view of the industrial control of FIG. 1.

The broken lines are shown in the views for illustrative purposes only, and form no part of the claimed design.

**1 Claim, 7 Drawing Sheets**



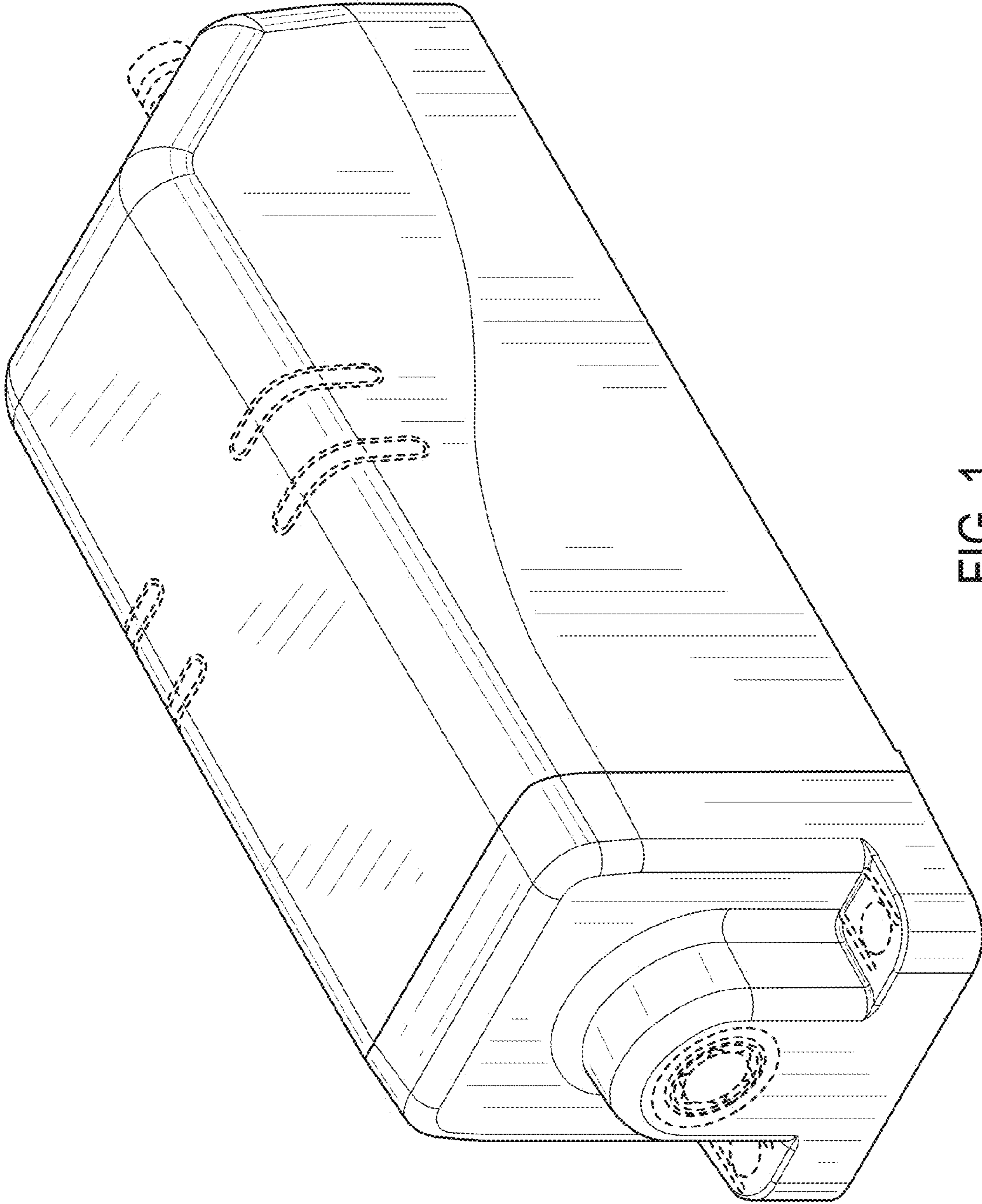


FIG. 1

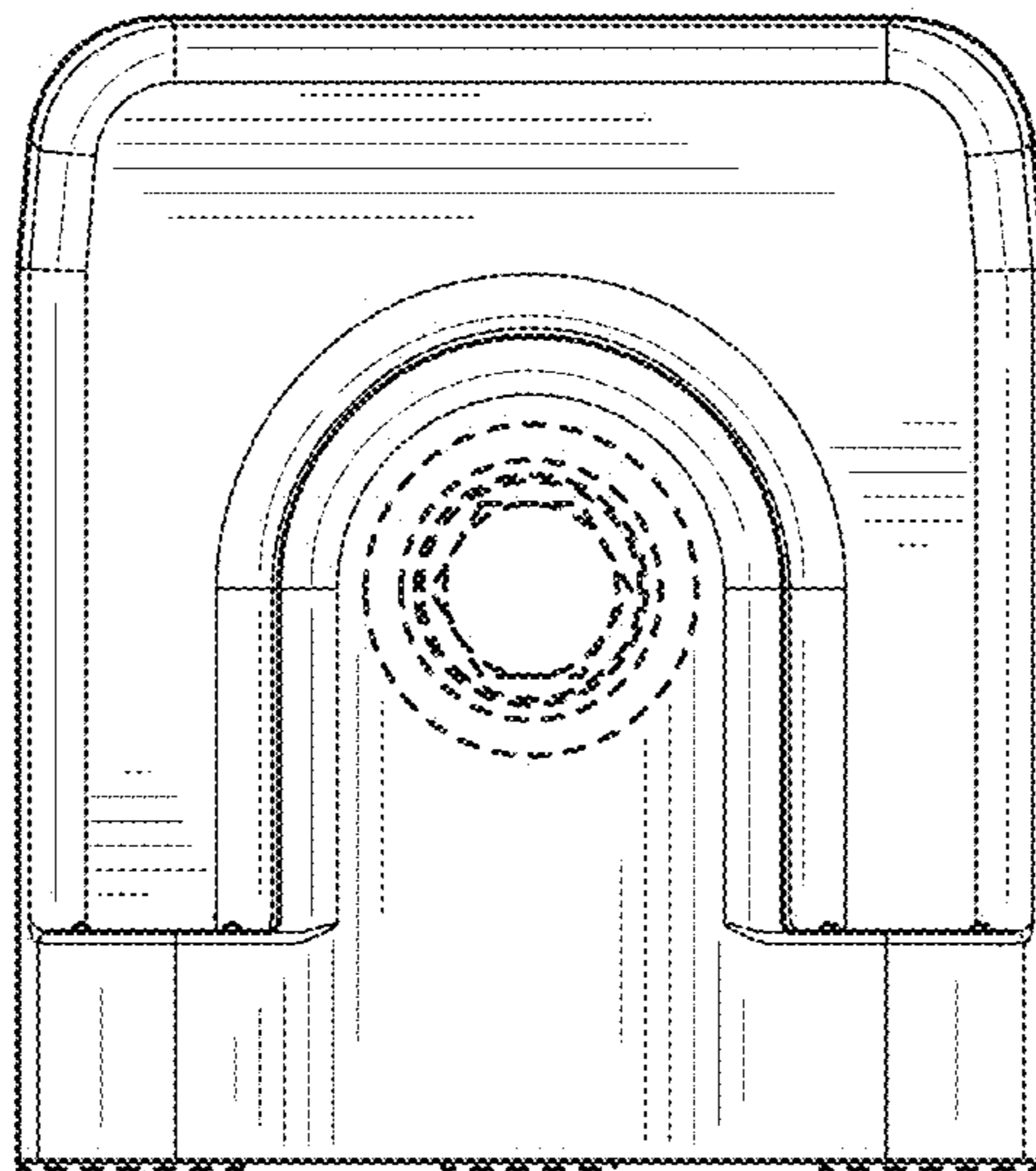


FIG. 2

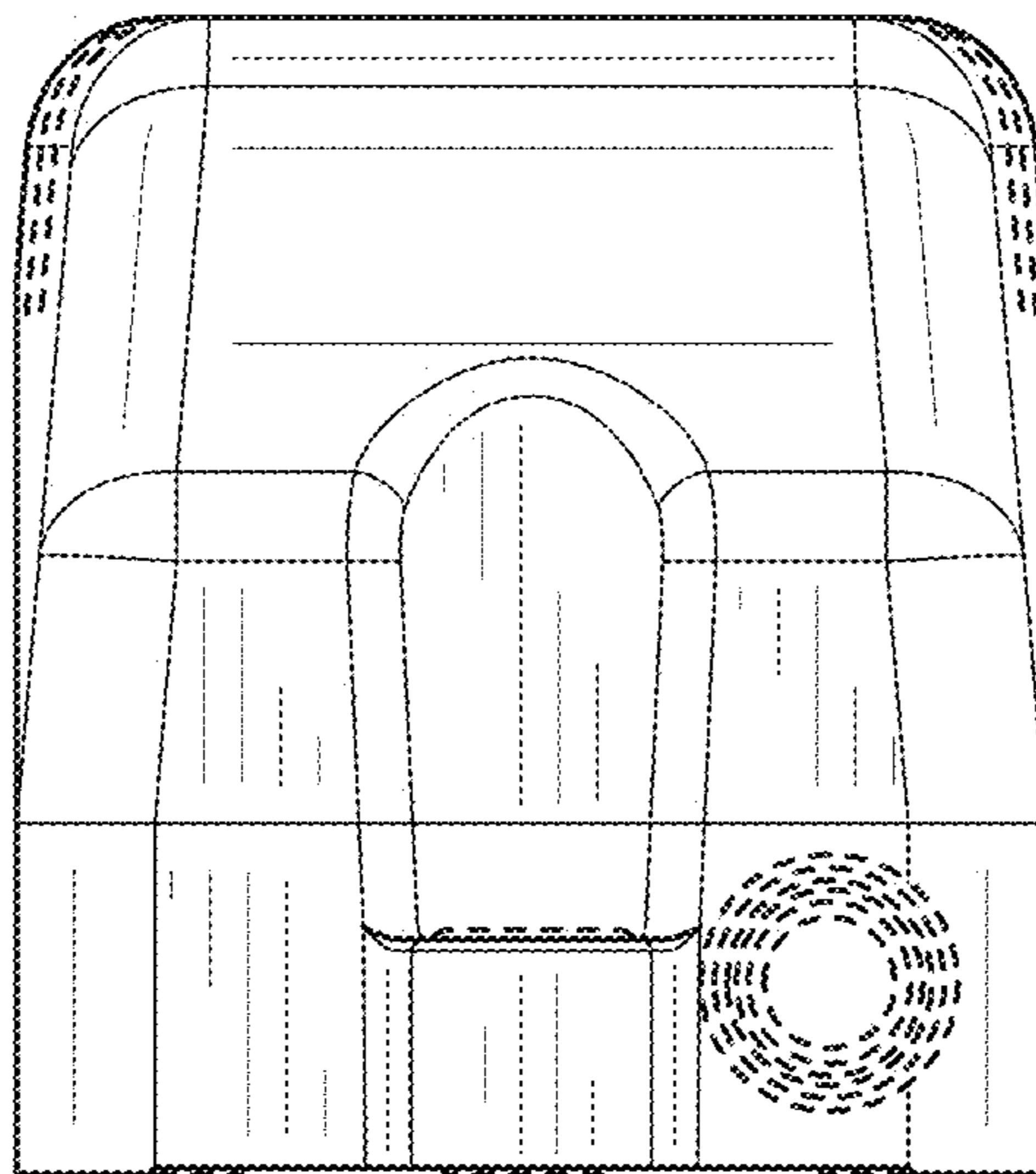


FIG. 3

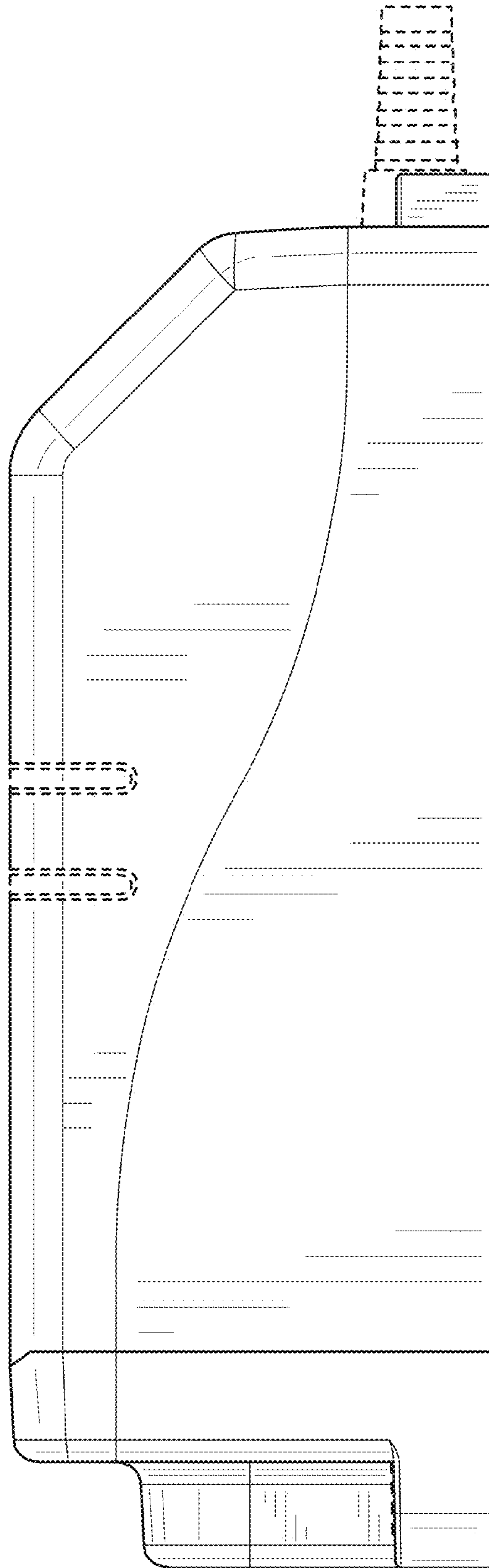


FIG. 4

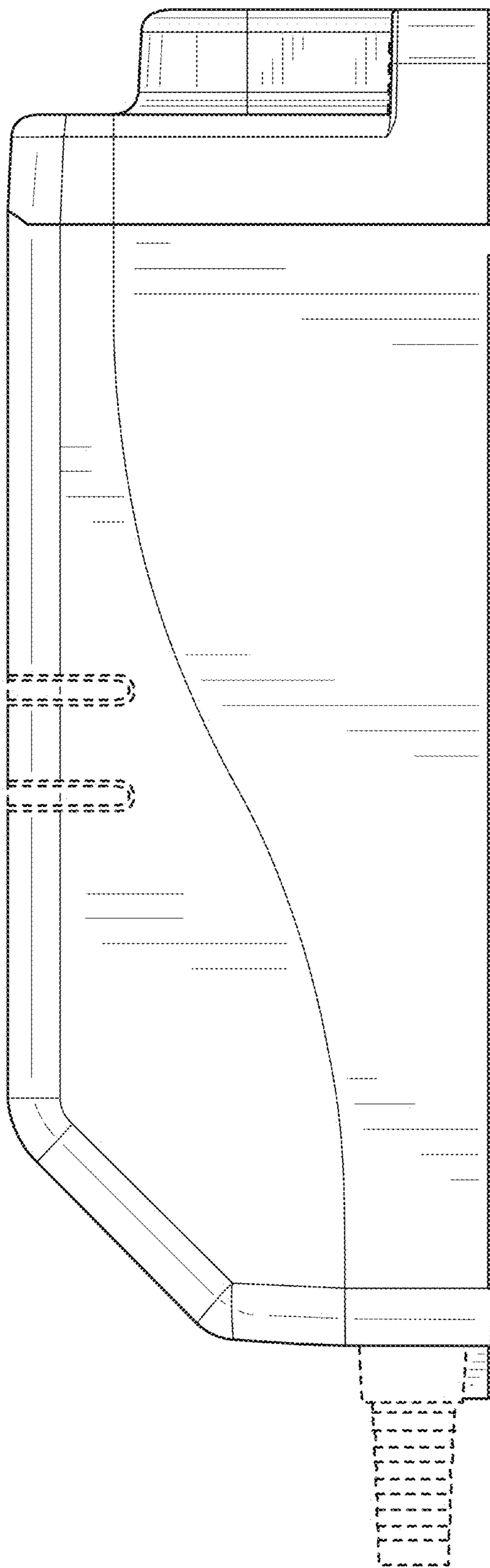


FIG. 5

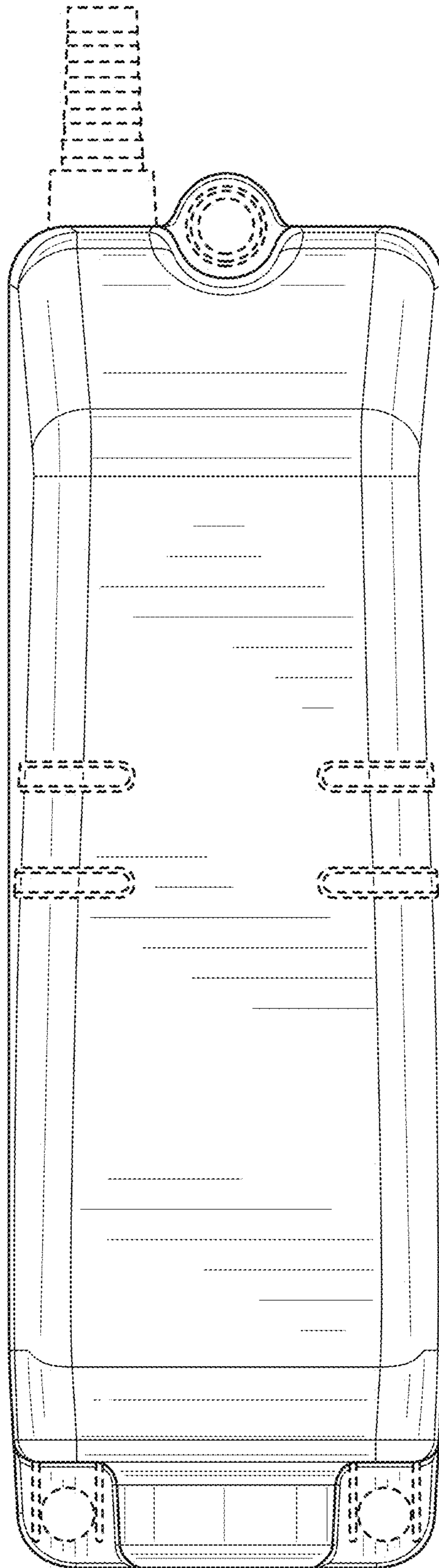


FIG. 6

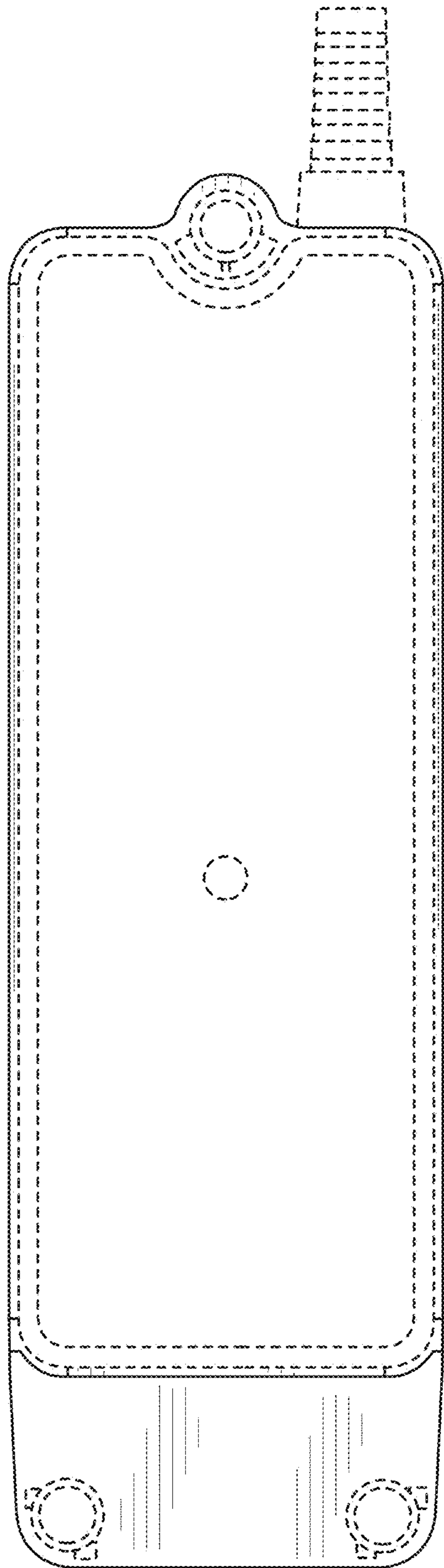


FIG. 7