



US00D742838S

(12) **United States Design Patent**  
**Yang et al.**

(10) **Patent No.:** **US D742,838 S**

(45) **Date of Patent:** **\*\* Nov. 10, 2015**

(54) **ELASTIC TERMINAL OF MICRO RF CONNECTOR**

(71) Applicant: **Advanced-Connectek Inc.**, New Taipei (TW)

(72) Inventors: **Sheng-Ho Yang**, Tian-Jin (CN); **Mei-Lan Li**, New Taipei (TW); **Xin Jin**, Tian-Jin (CN); **Yu-Le Su**, Tian-Jin (CN)

(73) Assignee: **Advanced-Connectek Inc.**, New Taipei (TW)

(\*\*) Term: **14 Years**

(21) Appl. No.: **29/499,604**

(22) Filed: **Aug. 16, 2014**

(30) **Foreign Application Priority Data**

Mar. 5, 2014 (CN) ..... 2014 3 0041188

(51) **LOC (10) Cl.** ..... **13-03**

(52) **U.S. Cl.**  
USPC ..... **D13/154**

(58) **Field of Classification Search**  
USPC ..... D13/133, 147, 154, 184, 199  
See application file for complete search history.

(56) **References Cited**

U.S. PATENT DOCUMENTS

D516,522 S *	3/2006	Kondas .....	D13/154
D568,246 S *	5/2008	Wu et al. ....	D13/133
D615,493 S *	5/2010	Kalis .....	D13/120
D644,186 S *	8/2011	Qu et al. ....	D13/154
D688,630 S *	8/2013	Chapman .....	D13/154

\* cited by examiner

*Primary Examiner* — Daniel Bui

(74) *Attorney, Agent, or Firm* — Alan D. Kamrath; Kamrath IP Lawfirm, P.A.

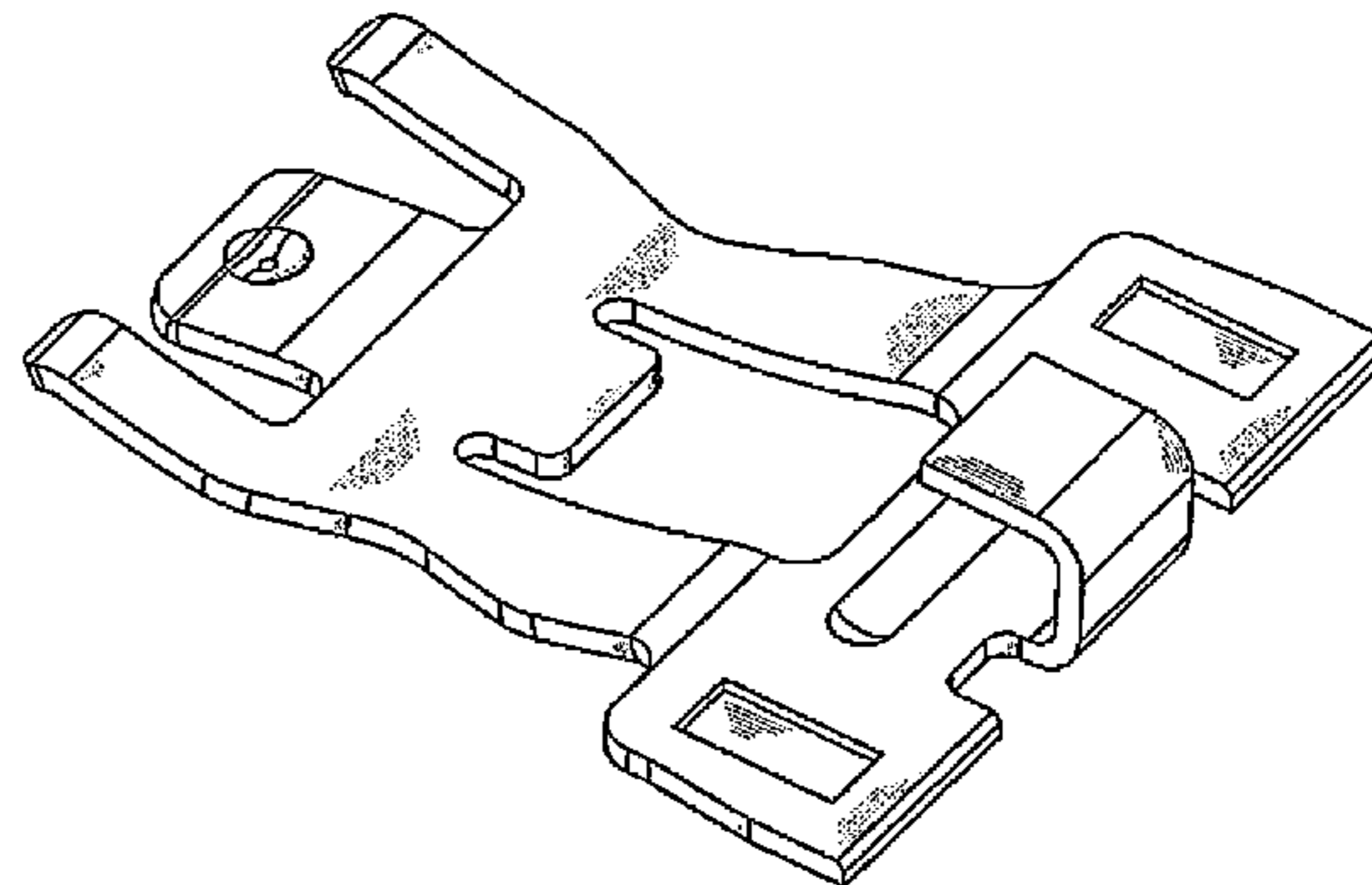
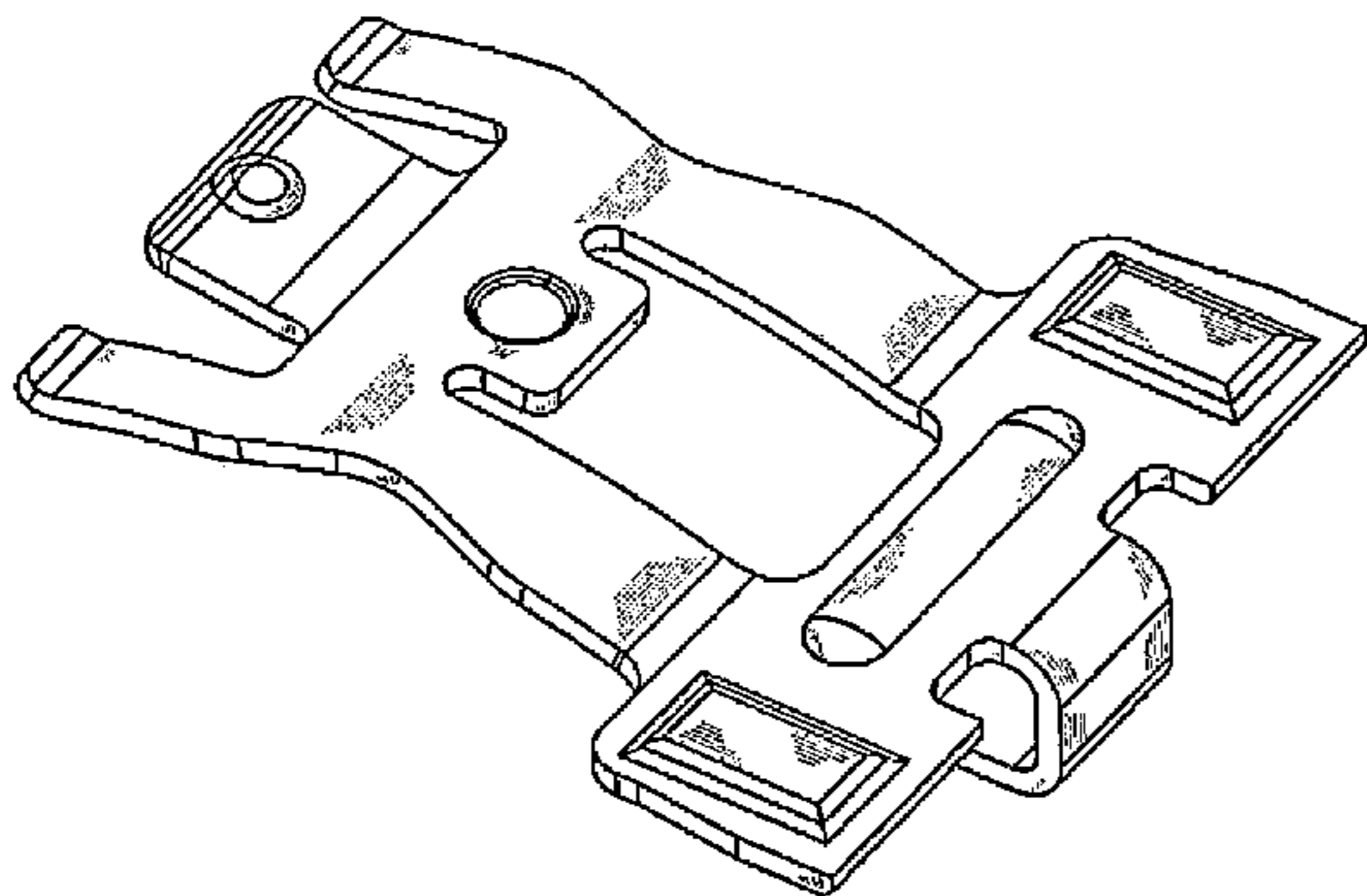
(57) **CLAIM**

The ornamental design for an elastic terminal of micro RF connector, as shown and described.

**DESCRIPTION**

FIG. 1 is a perspective view of an elastic terminal of micro RF connector showing our new design; FIG. 2 is a front side elevational view thereof; FIG. 3 is a rear side elevational view thereof; FIG. 4 is a left elevational view thereof; FIG. 5 is a right elevational view thereof; FIG. 6 is a top plan view thereof; FIG. 7 is a bottom plan view thereof; and, FIG. 8 is a rear perspective view thereof.

**1 Claim, 8 Drawing Sheets**



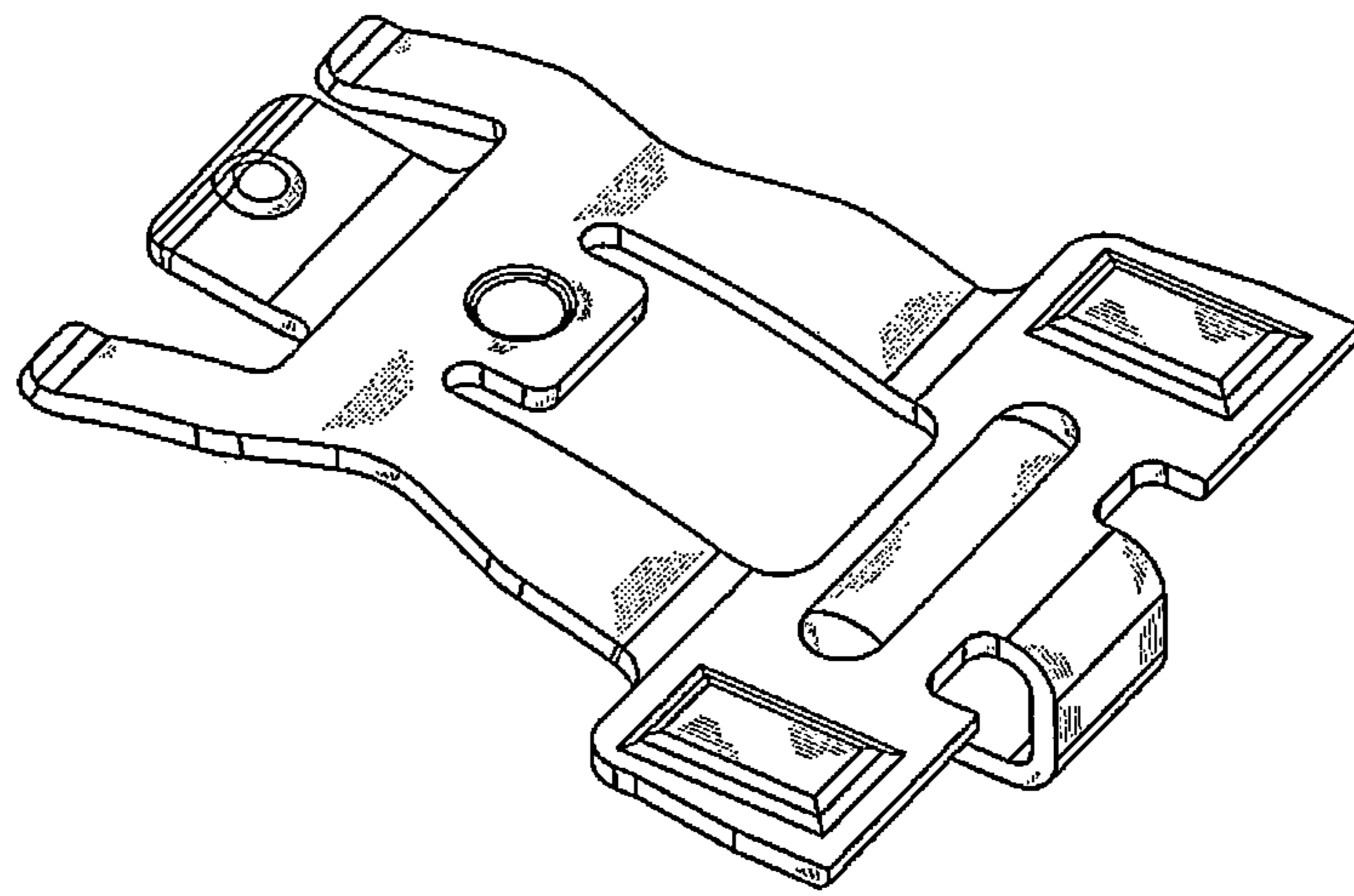


FIG.1

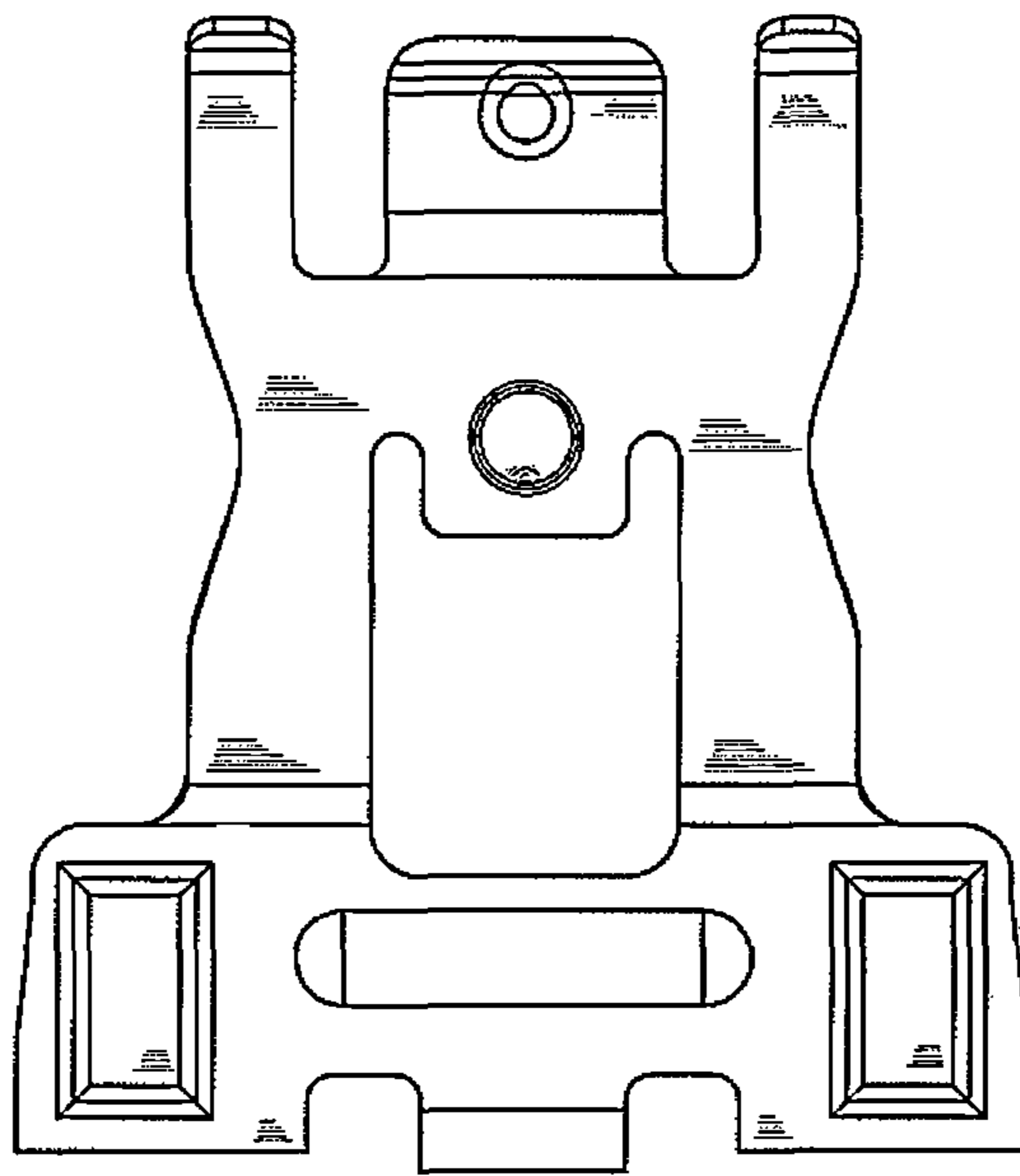


FIG.2

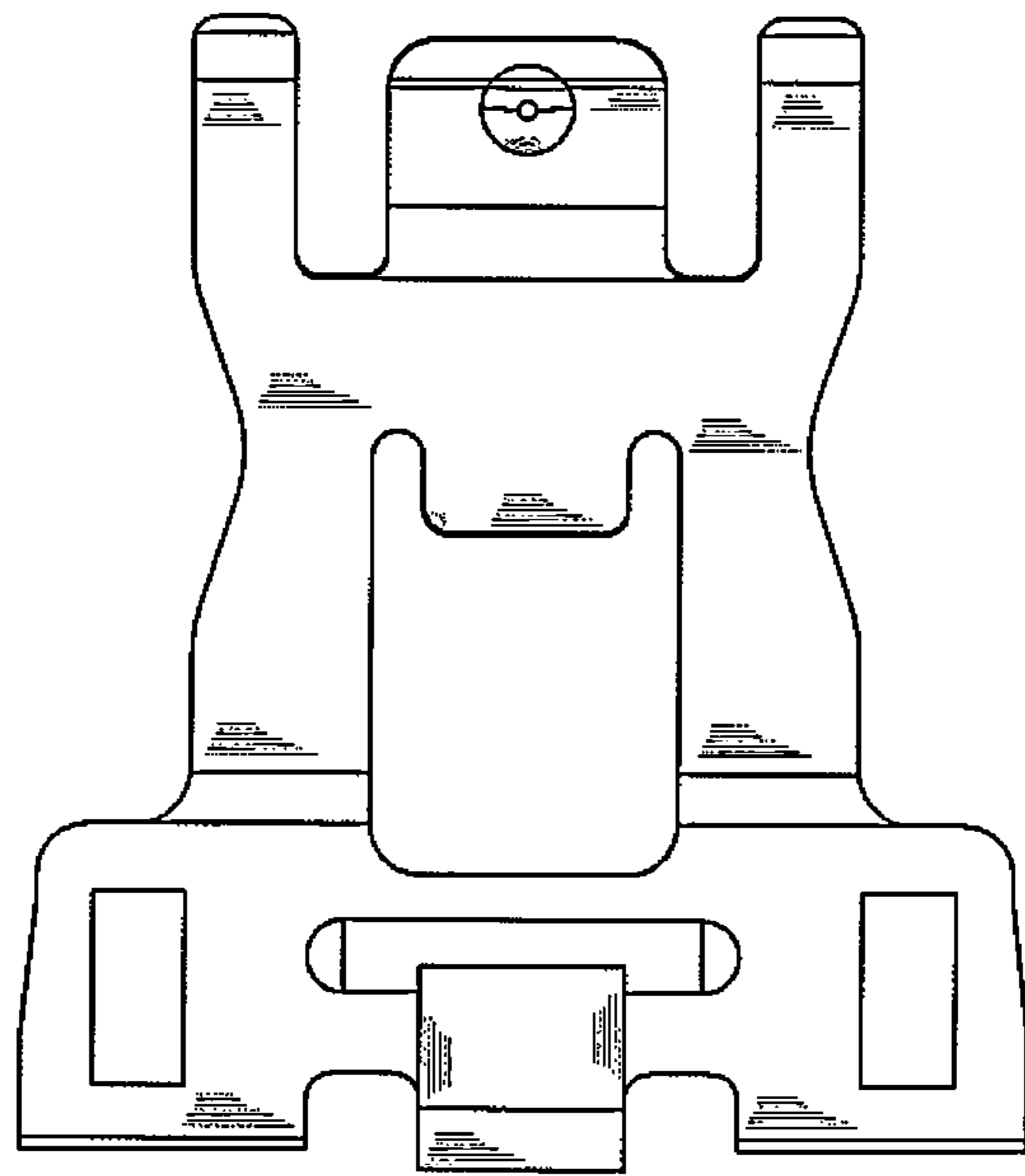


FIG.3

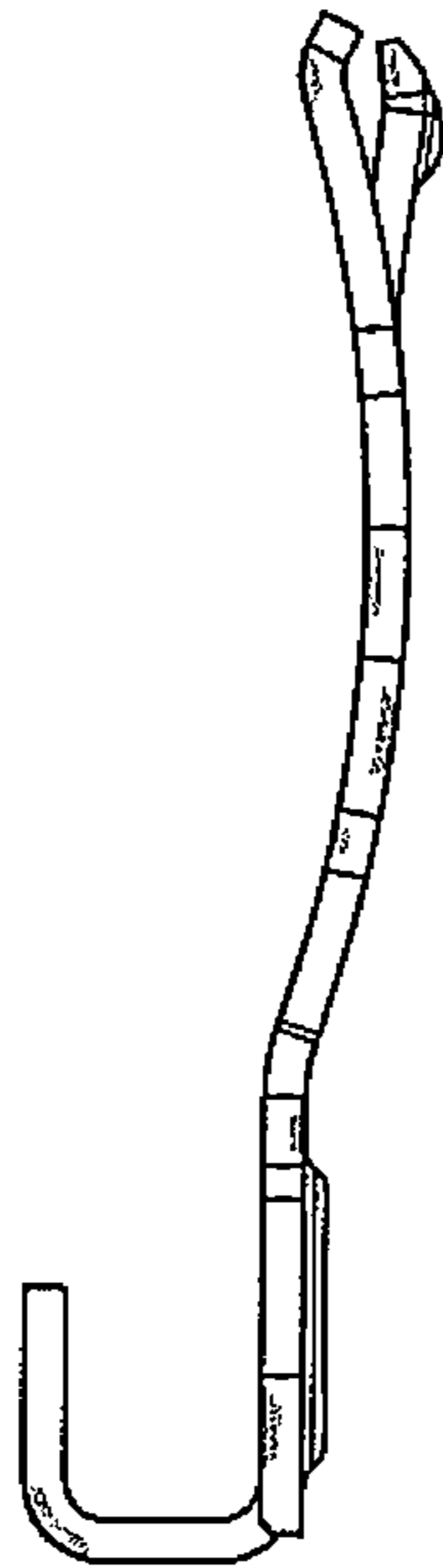


FIG.4

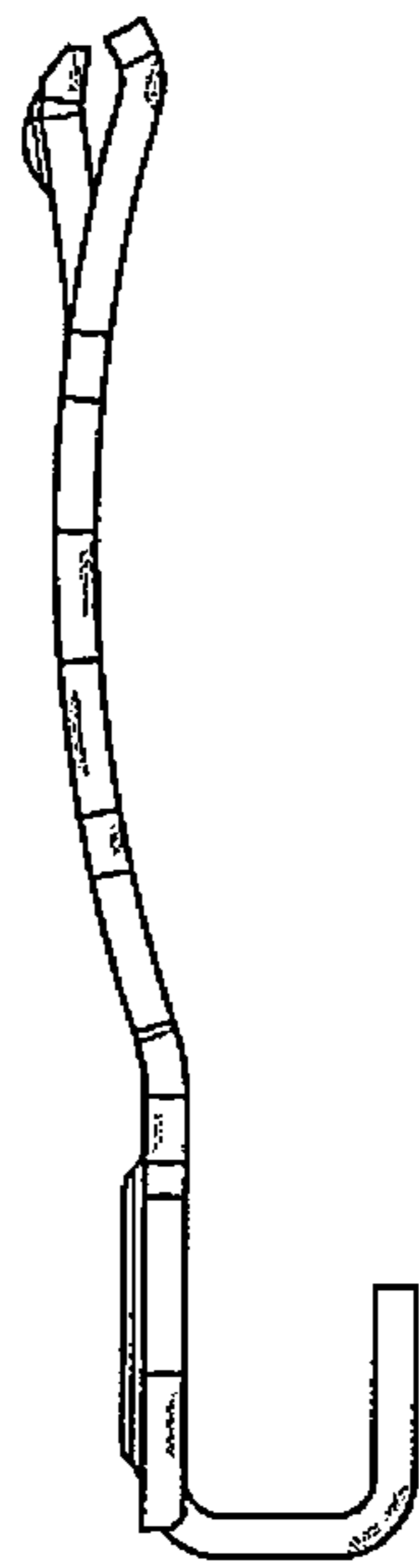


FIG. 5

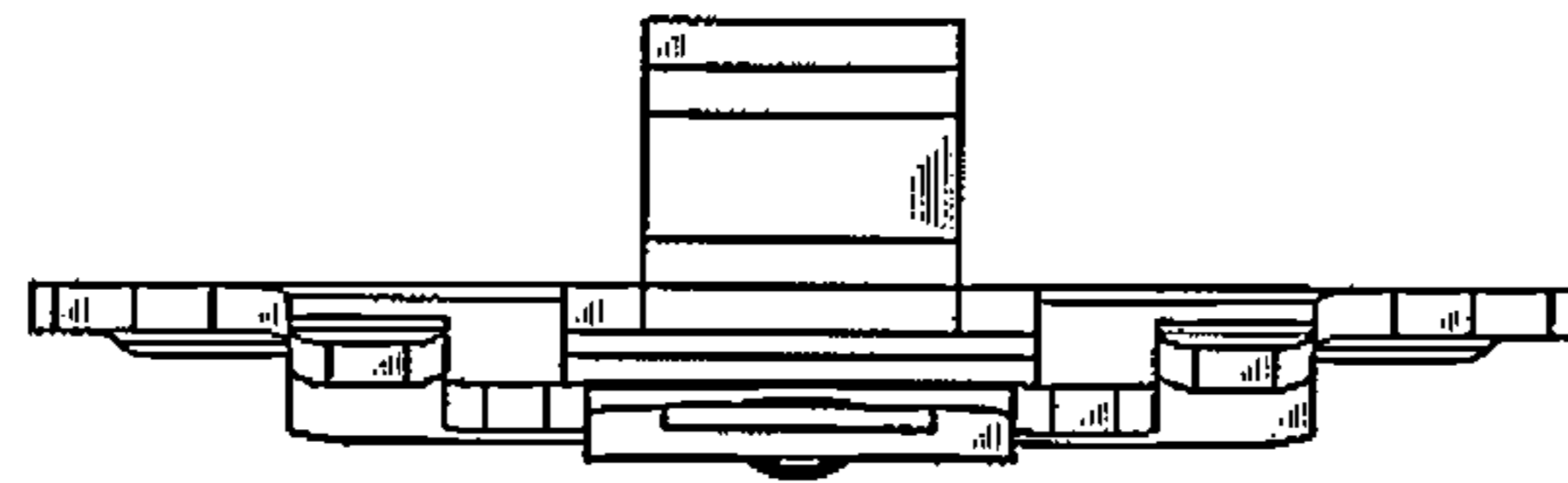


FIG.6

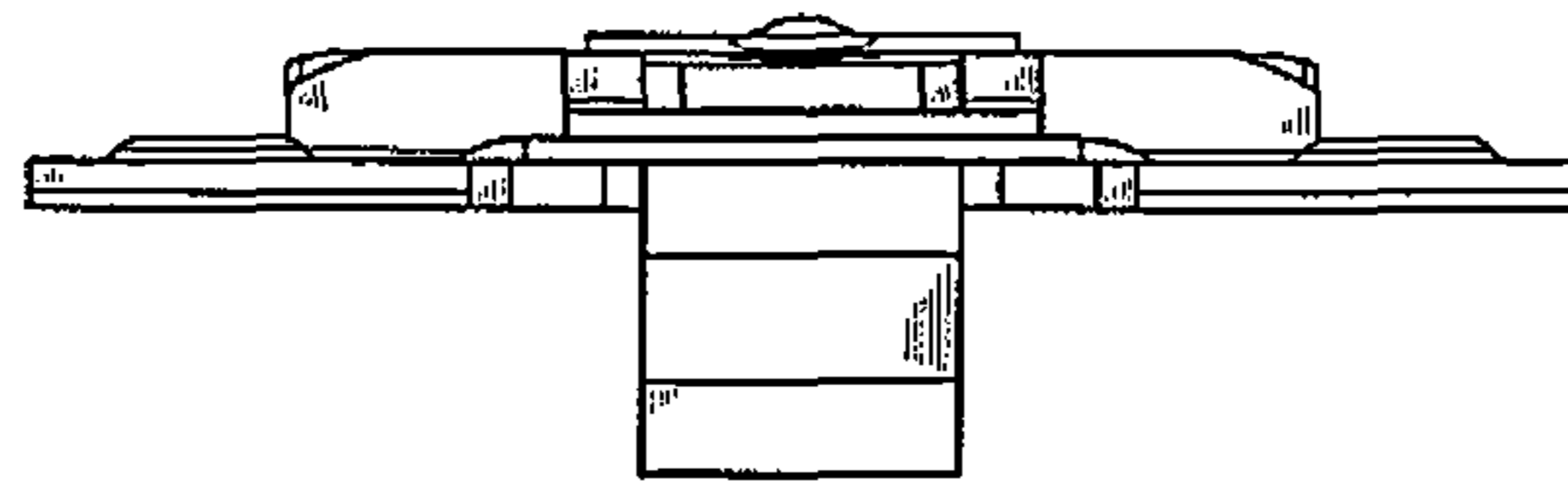


FIG.7



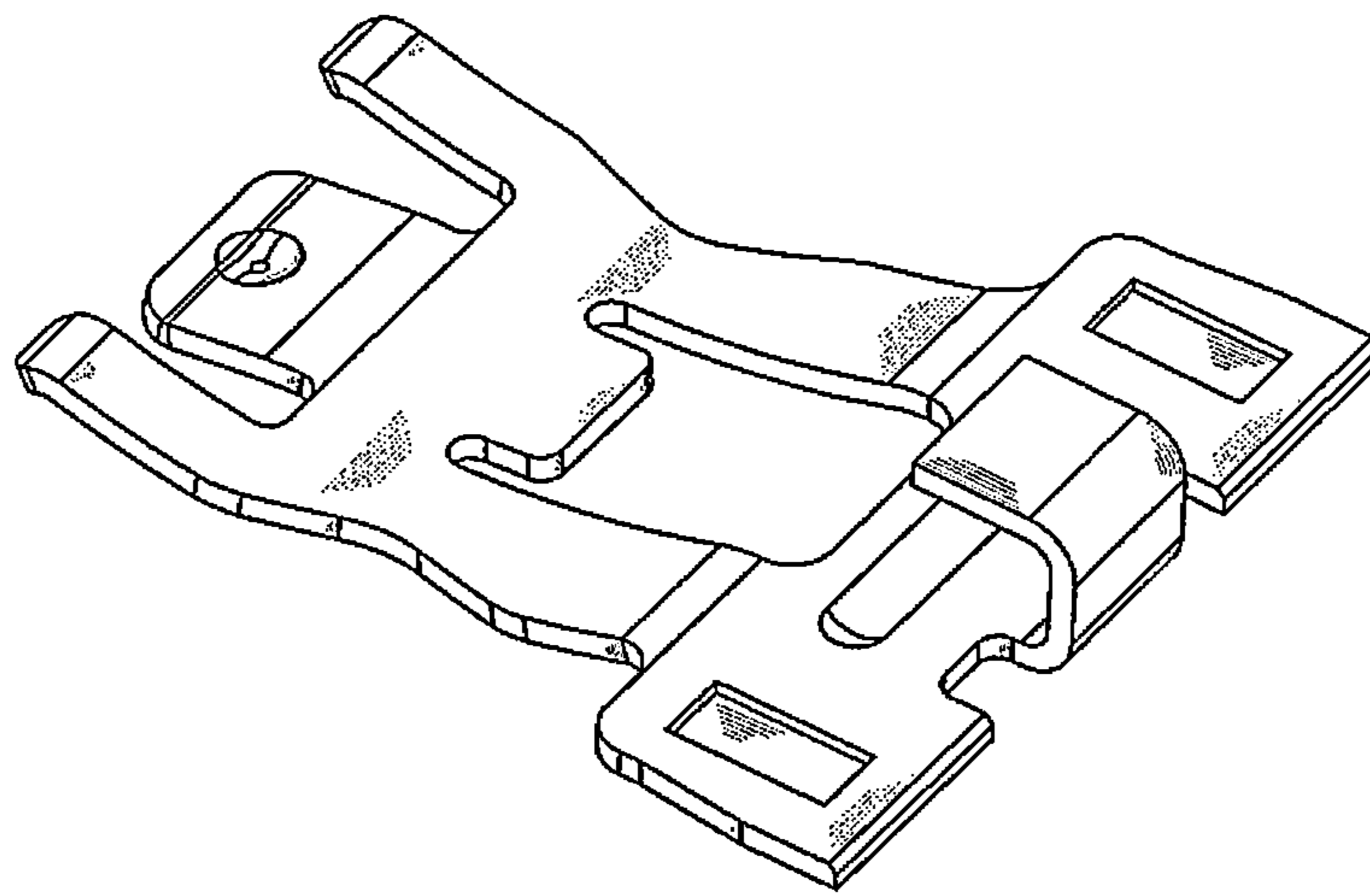


FIG.8