

US00D742837S

(12) **United States Design Patent**  
**Chartrand et al.**

(10) **Patent No.:** **US D742,837 S**

(45) **Date of Patent:** **\*\* Nov. 10, 2015**

(54) **PORTION OF ELECTRICAL CONNECTOR**

(56) **References Cited**

- (71) Applicant: **Nii Northern International Inc.**,  
Markham (CA)
- (72) Inventors: **Mathieu Chartrand**, Léry (CA);  
**Frédéric Boucher**, Lemoyne (CA);  
**Christopher Warnock**, Beaconsfield  
(CA); **Carlos Carpintero**, Saint-Laurent  
(CA)
- (73) Assignee: **NII NORTHERN INTERNATIONAL  
INC.**, Markham, Ontario (CA)

U.S. PATENT DOCUMENTS

6,450,844	B1	9/2002	Mizumura et al.	
D603,804	S	11/2009	Urano	
7,731,521	B2 *	6/2010	Corradi et al.	439/417
7,740,511	B2	6/2010	Katano	
D636,344	S	4/2011	Naito	
D645,408	S *	9/2011	Chartrand et al.	D13/154
D649,512	S *	11/2011	Shimoji et al.	D13/133
8,647,147	B2 *	2/2014	Chartrand et al.	439/425
2010/0002419	A1	1/2010	Naito	
2010/0203752	A1	8/2010	Urano	
2010/0267289	A1	10/2010	Urano	

\* cited by examiner

- (\*\*) Term: **14 Years**
- (21) Appl. No.: **29/483,104**
- (22) Filed: **Feb. 25, 2014**

*Primary Examiner* — Daniel Bui  
(74) *Attorney, Agent, or Firm* — McAndrews Held & Malloy, Ltd.

(57) **CLAIM**  
The ornamental design for a portion of electrical connector, as shown and described.

**Related U.S. Application Data**

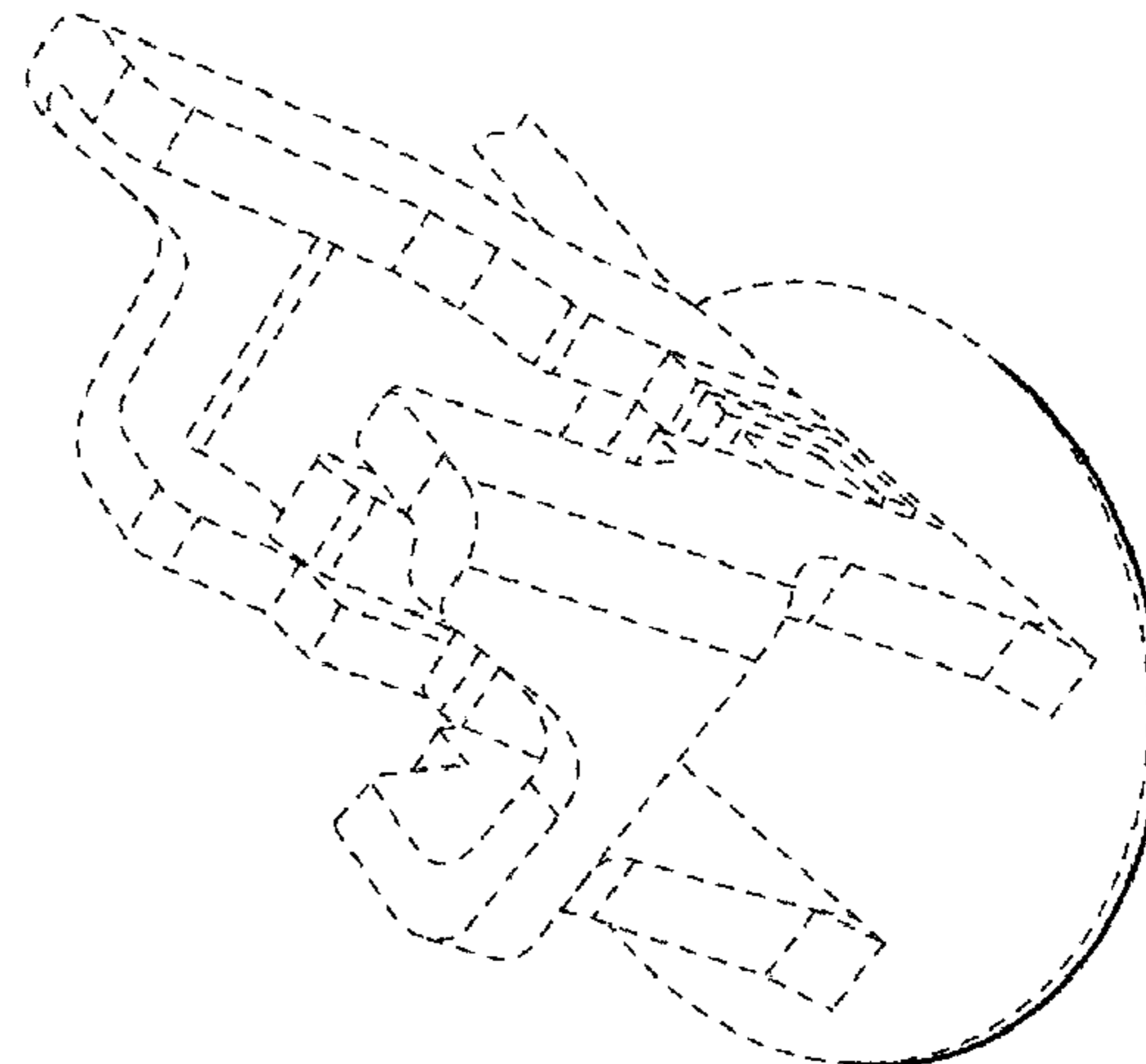
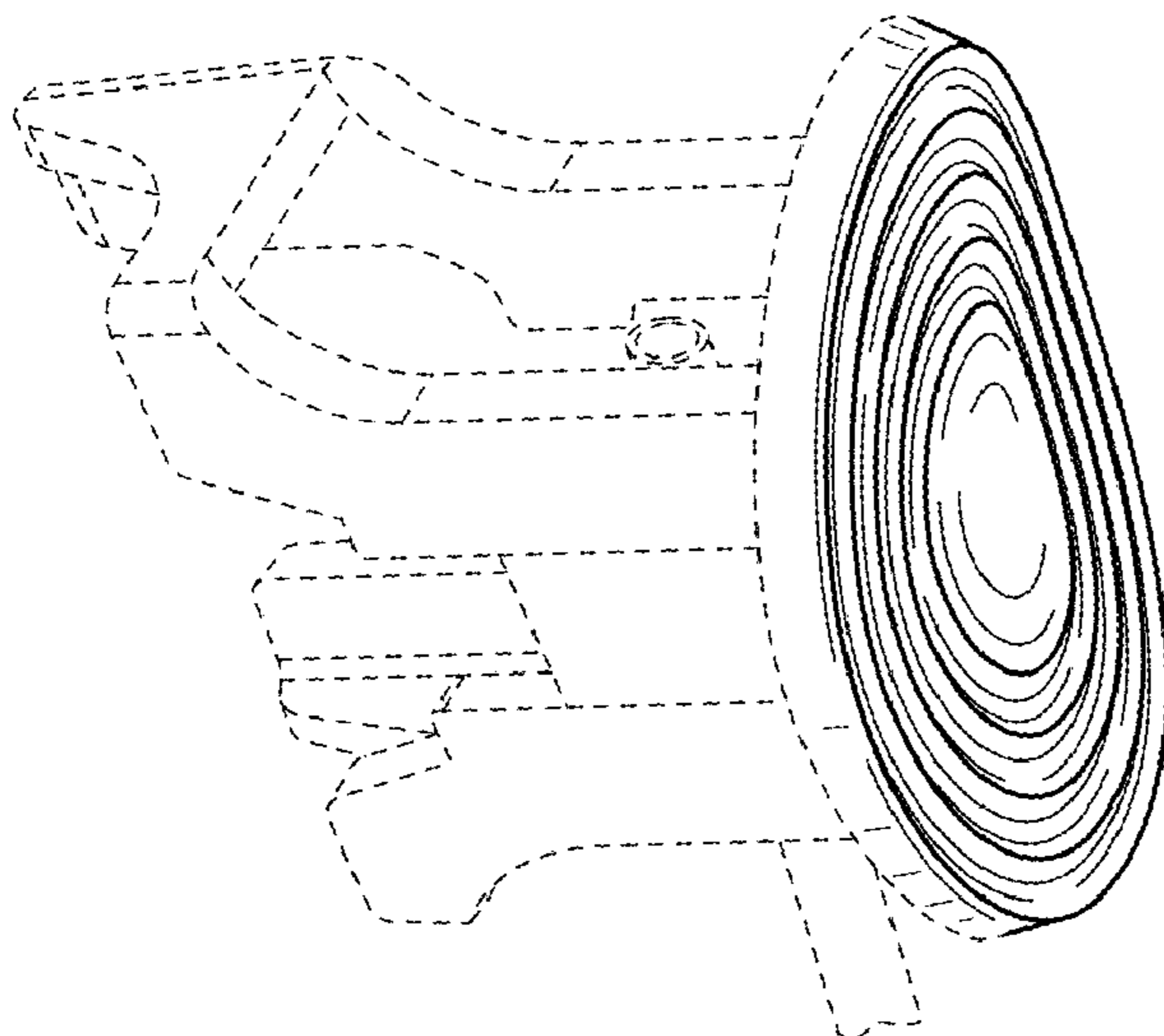
- (63) Continuation of application No. 29/464,526, filed on Aug. 16, 2013, now abandoned, which is a continuation of application No. 29/444,903, filed on Feb. 5, 2013, now abandoned, which is a continuation of application No. 29/402,057, filed on Sep. 20, 2011, now Pat. No. Des. 675,578, which is a continuation of application No. 29/357,721, filed on Mar. 16, 2010, now Pat. No. Des. 645,406.
- (51) **LOC (10) Cl.** ..... **13-03**
- (52) **U.S. Cl.**  
USPC ..... **D13/154**
- (58) **Field of Classification Search**  
USPC ..... D13/133, 147, 154, 184, 199  
See application file for complete search history.

**DESCRIPTION**

FIG. 1 is a front perspective view of our new design for a portion of electrical connector;  
FIG. 2 is another front perspective view thereof;  
FIG. 3 is a front elevation view thereof;  
FIG. 4 is a back elevation view thereof;  
FIG. 5 is a right-side elevation view thereof;  
FIG. 6 is a left-side elevation view thereof;  
FIG. 7 is top plan view thereof;  
FIG. 8 is a bottom plan view thereof; and,  
FIG. 9 is a back perspective view thereof.

In the drawings, all areas or surfaces that include shade or contour lines are part of the claimed design. The broken lines in the drawings are included for the purpose of illustrating environmental subject matter and form no part of the claimed design.

**1 Claim, 2 Drawing Sheets**



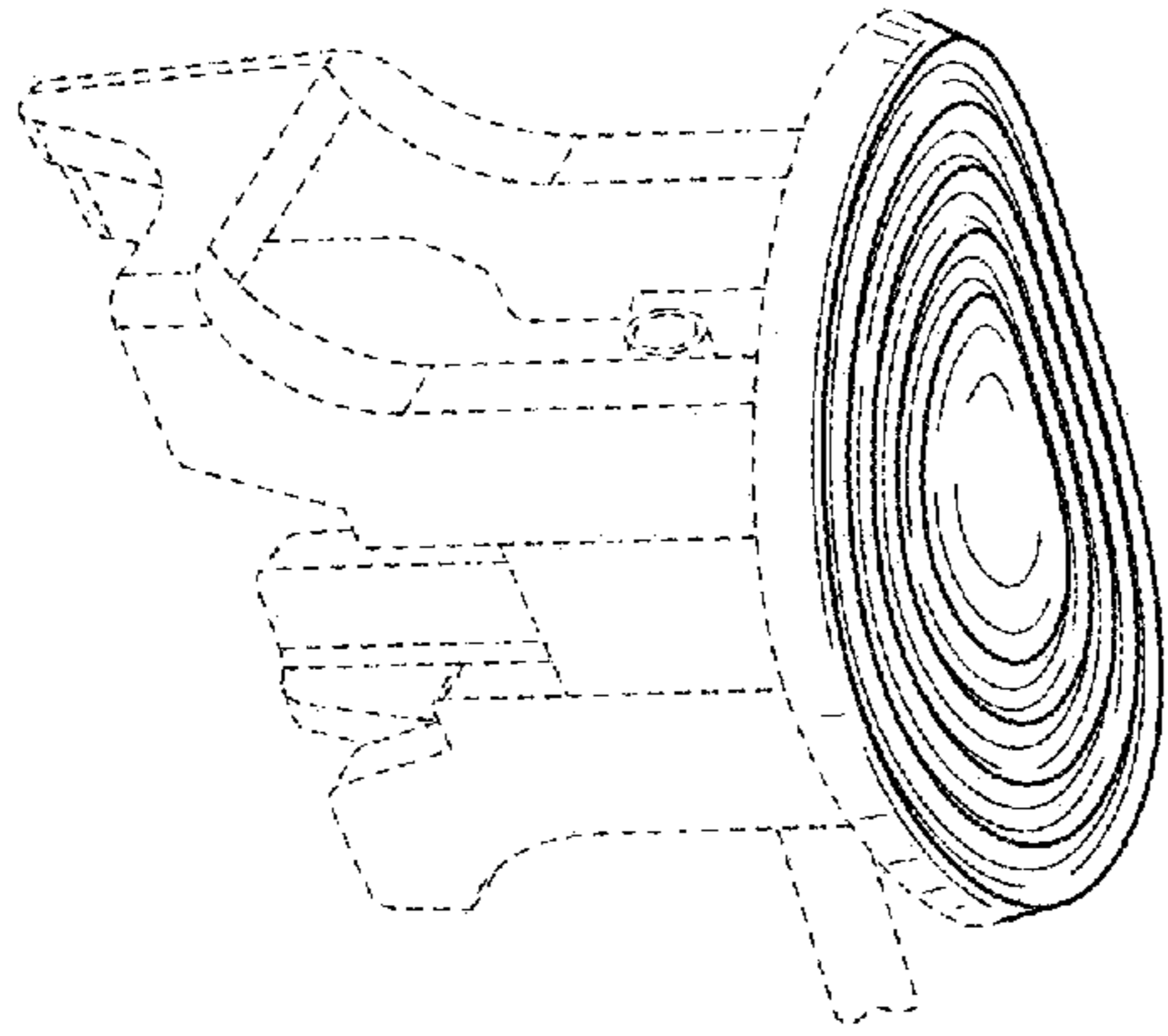


FIG. 1

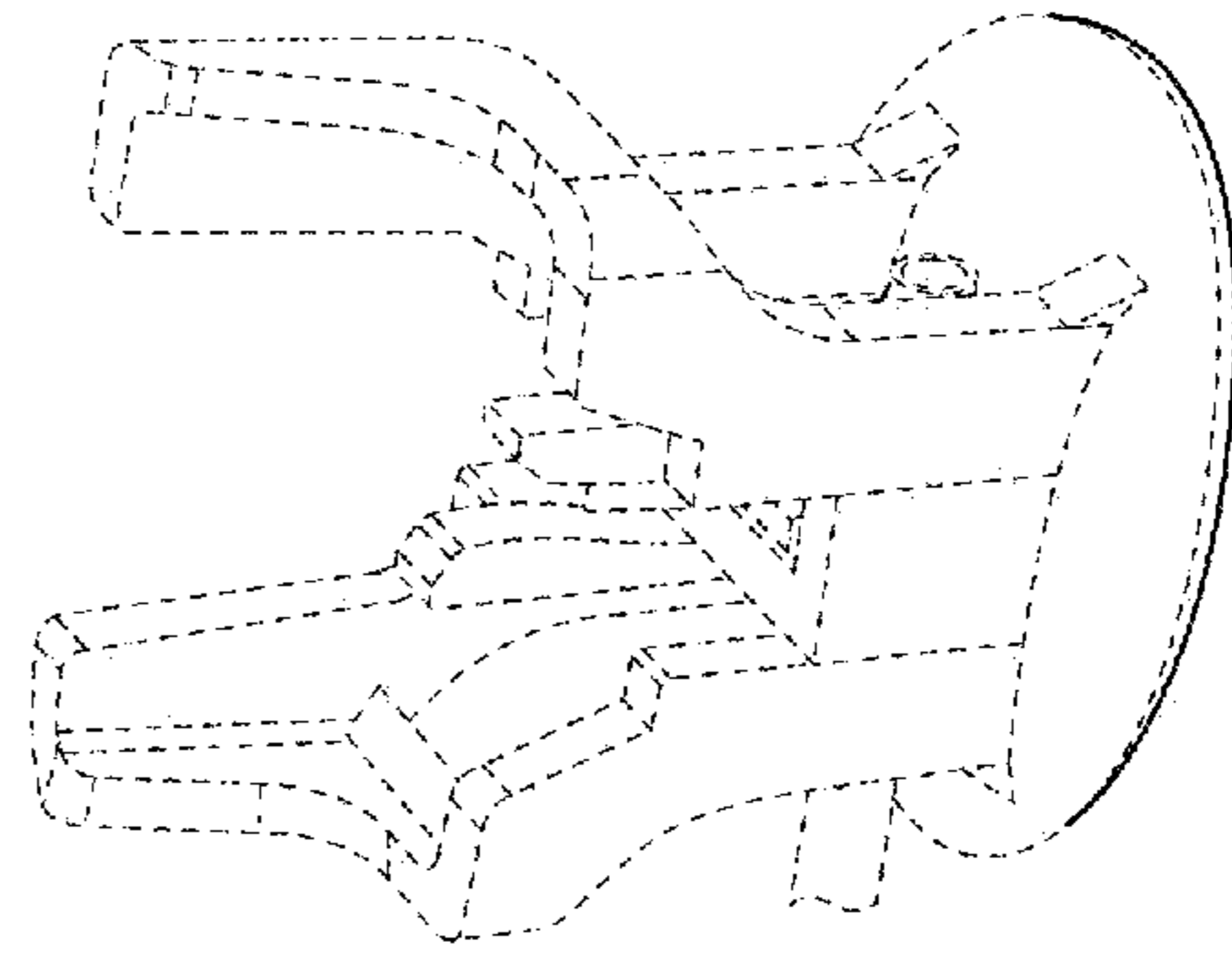


FIG. 2

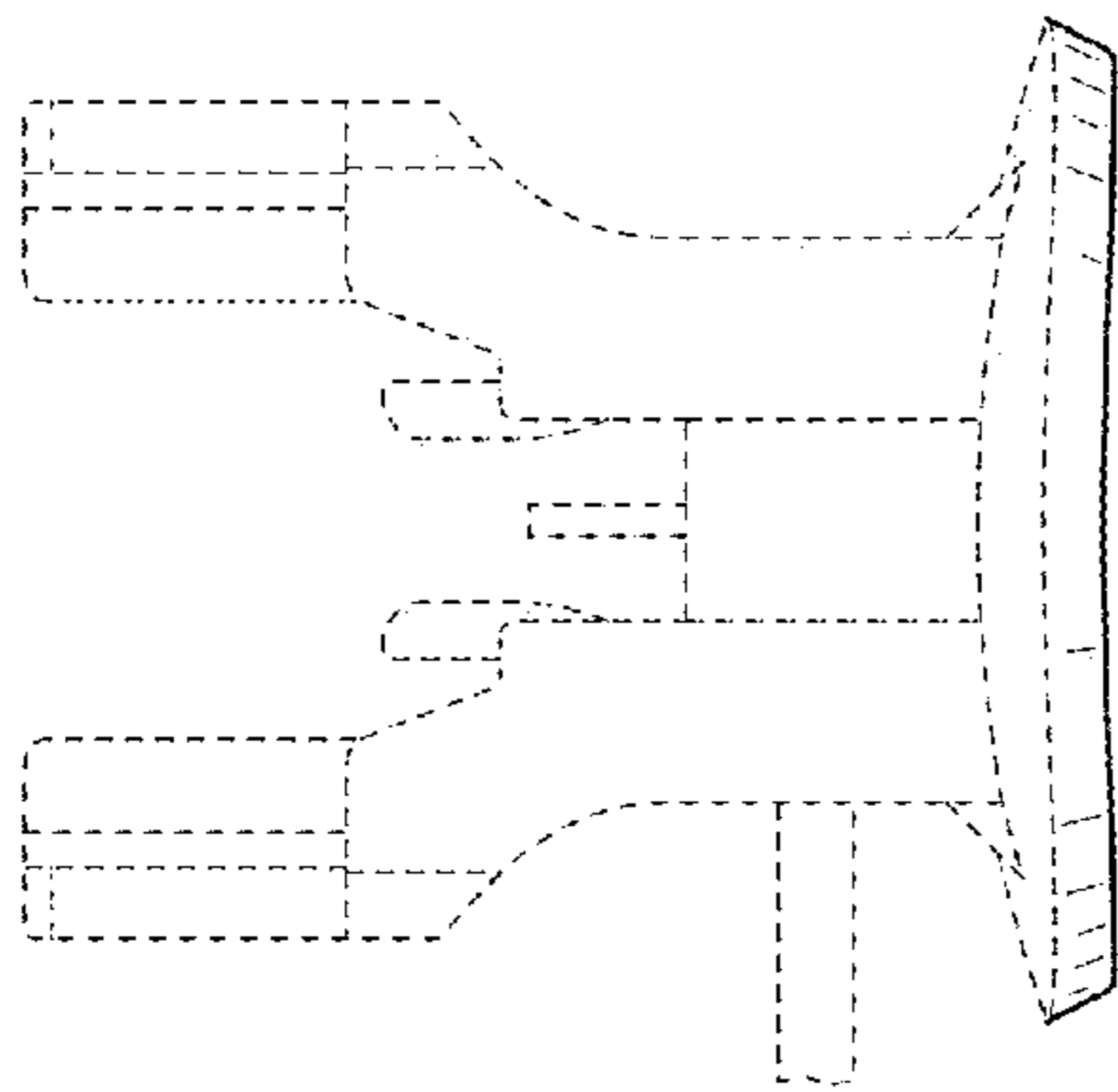


FIG. 3

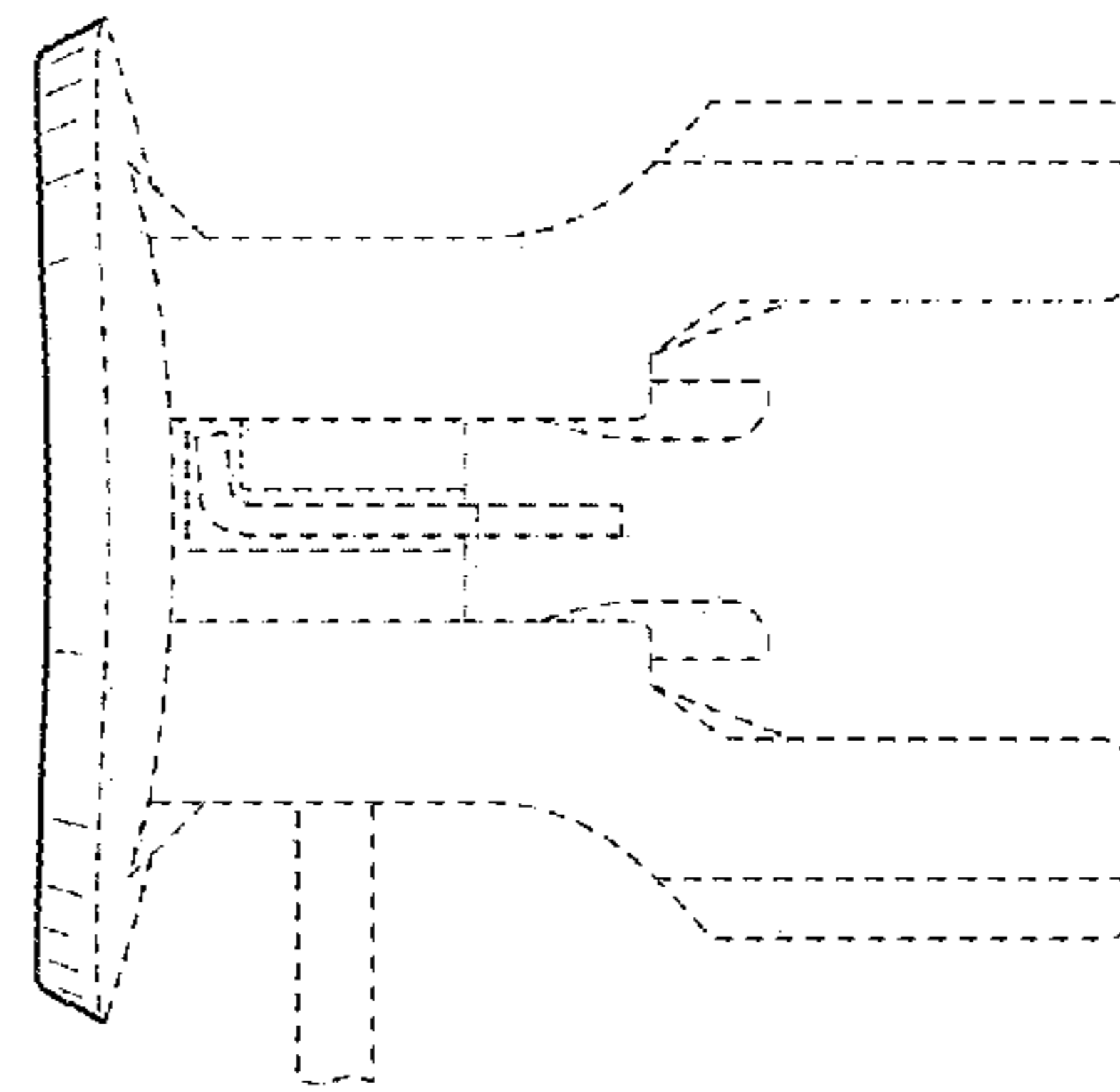


FIG. 4

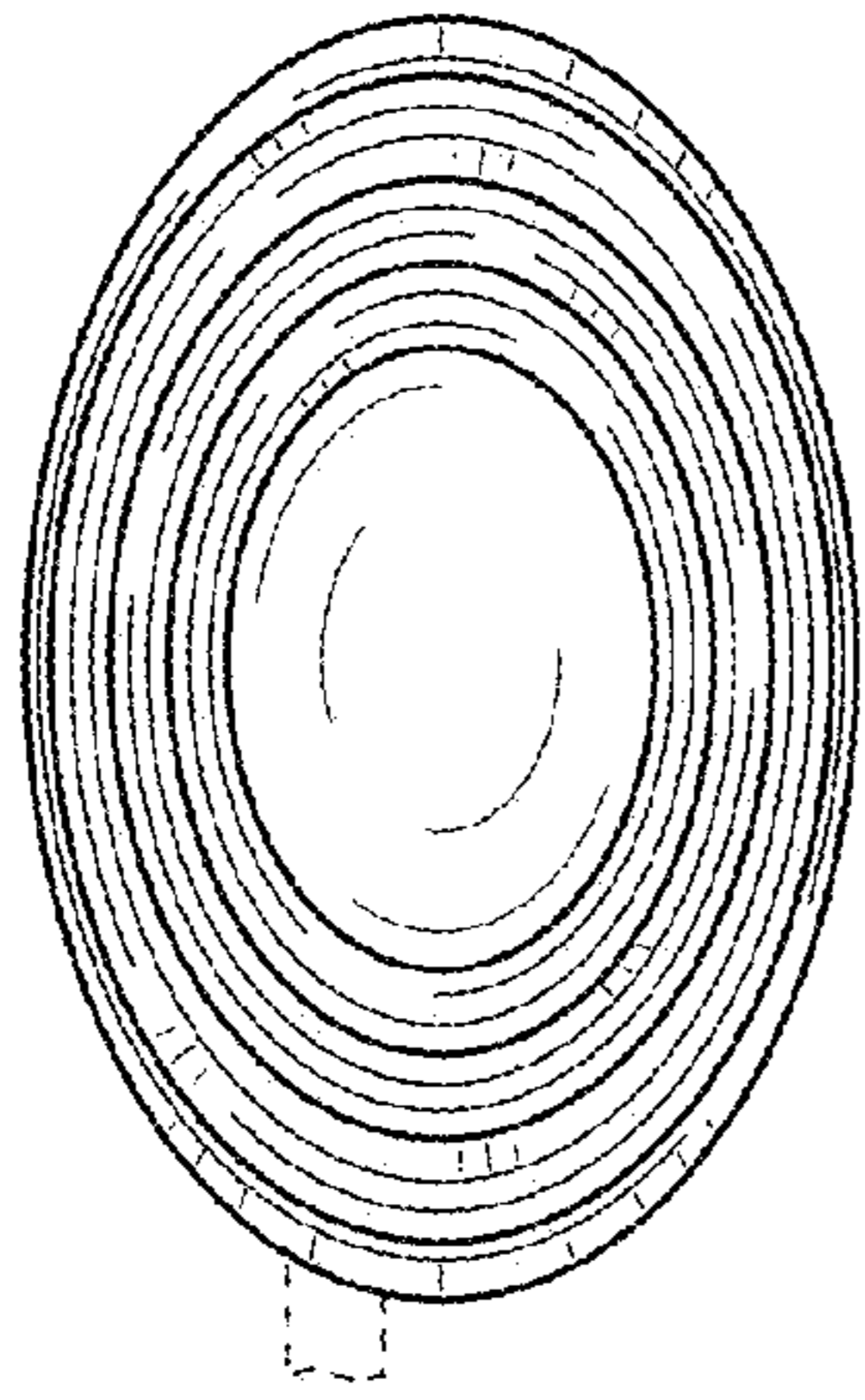


FIG. 5

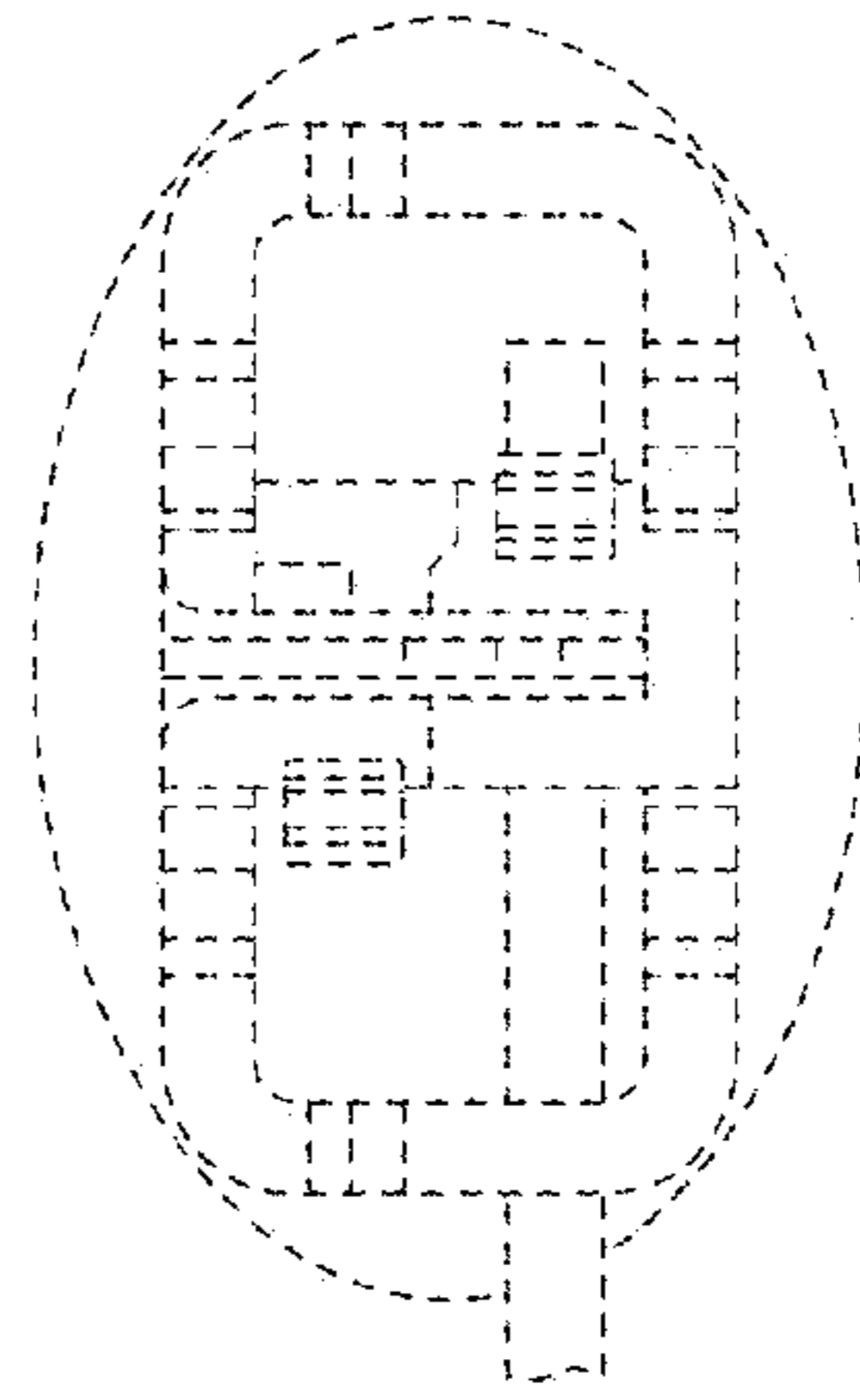


FIG. 6

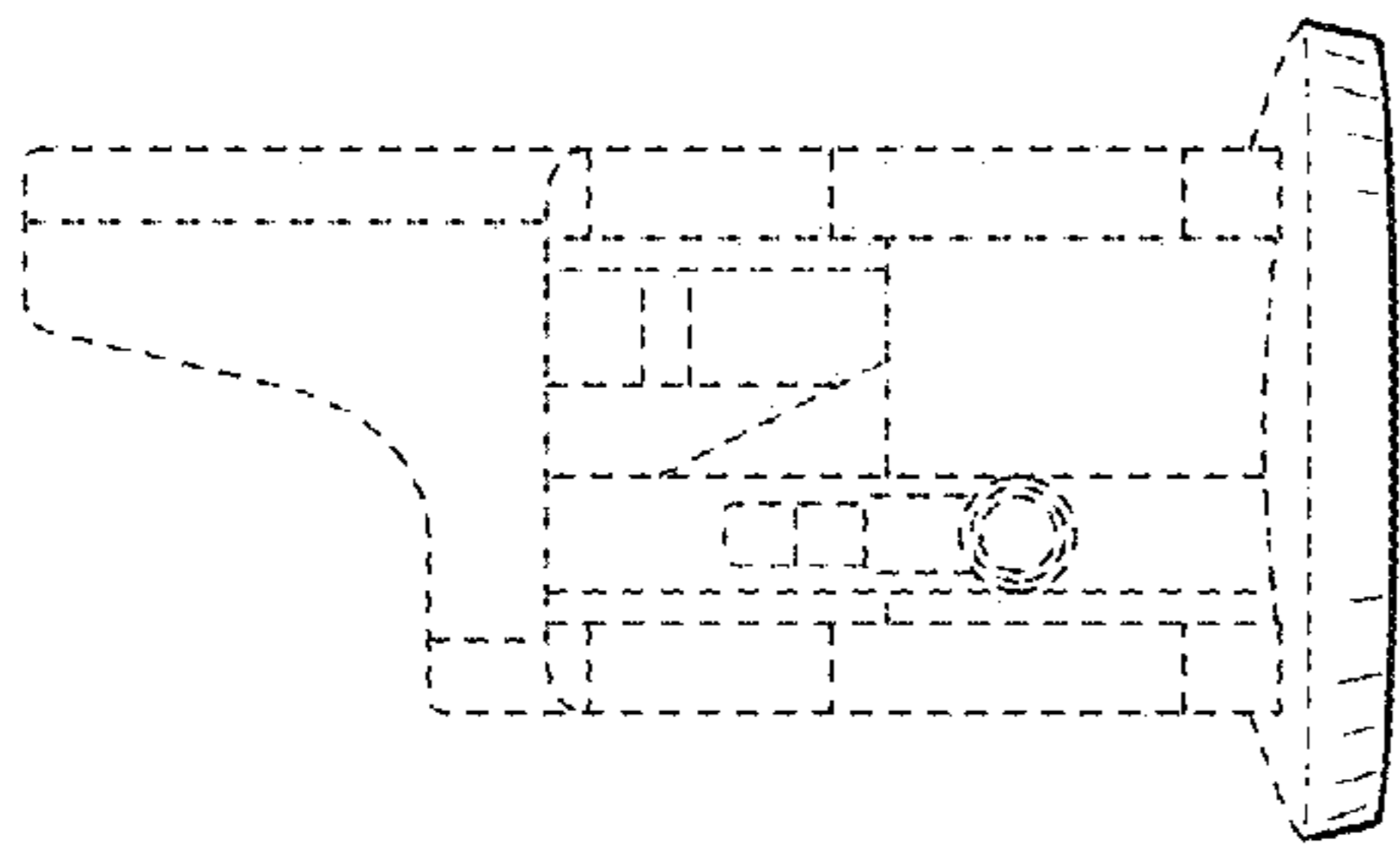


FIG. 7

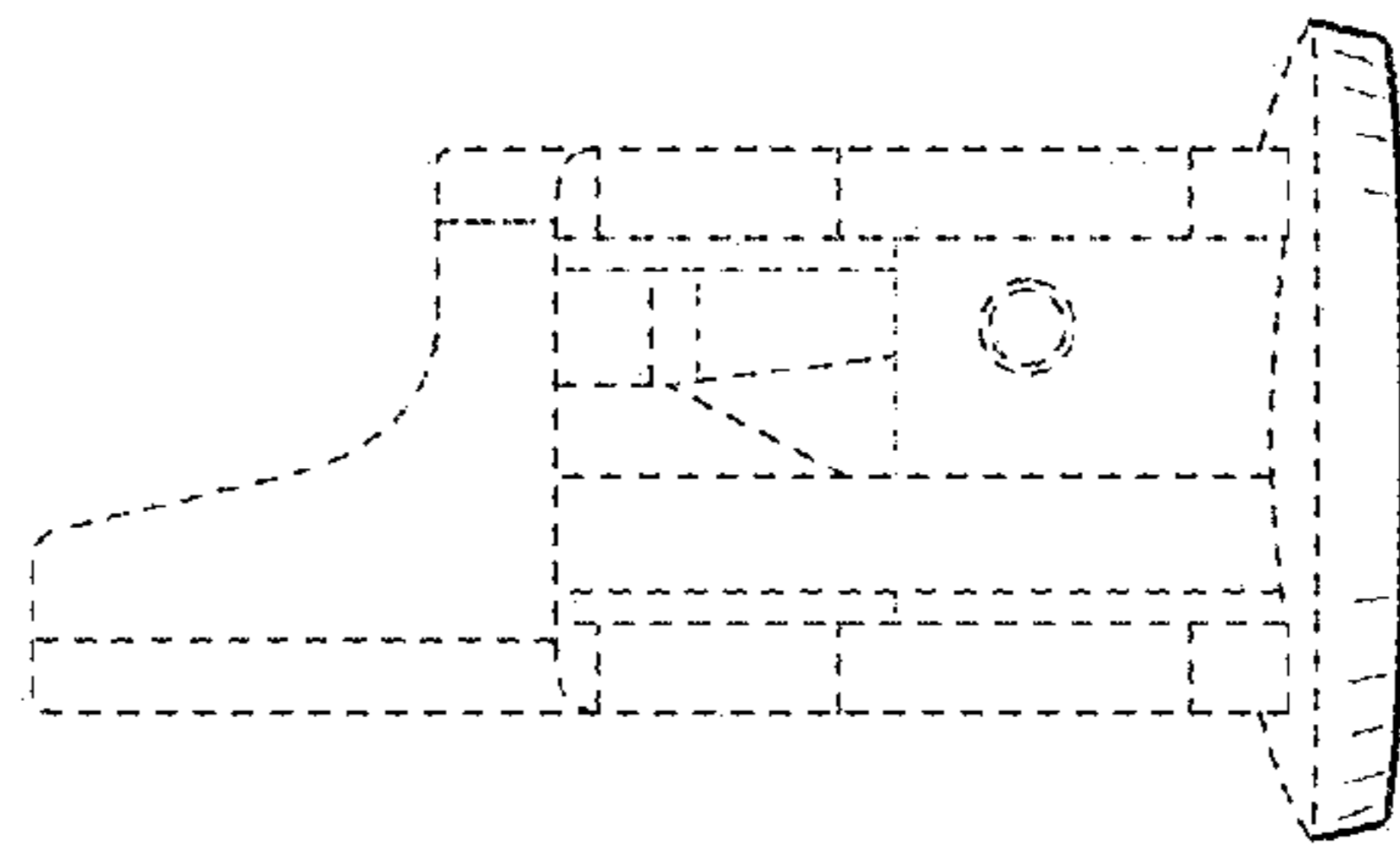


FIG. 8

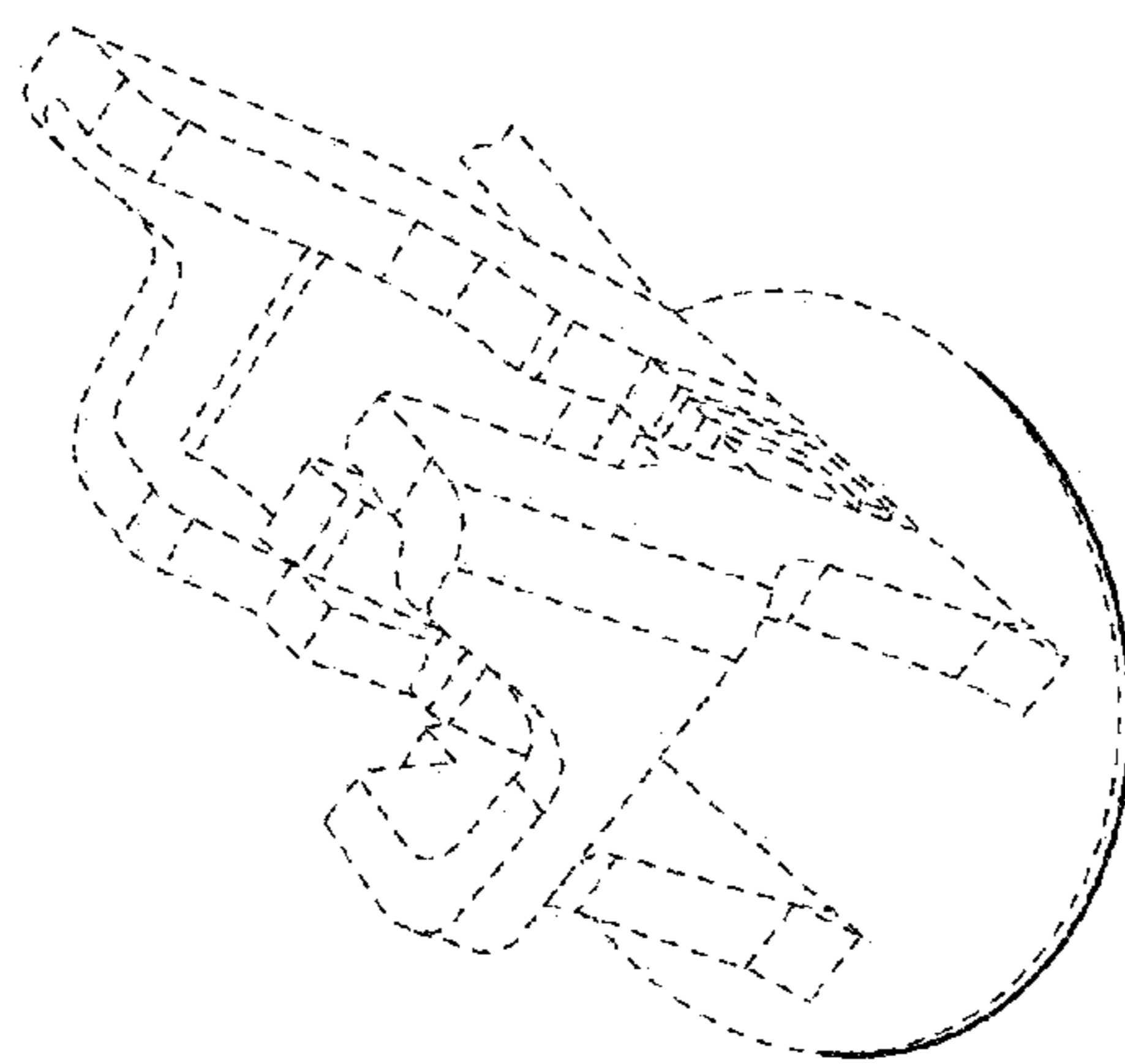


FIG. 9