



US00D742836S

(12) **United States Design Patent**
Gieski et al.

(10) **Patent No.:** **US D742,836 S**
(45) **Date of Patent:** **** Nov. 10, 2015**

(54) **ELECTRICAL CONNECTOR HOUSING**

(71) Applicants: **Christopher S. Gieski**, Dillsburg, PA (US); **William E. Tanis**, Mechanicsburg, PA (US); **Gregory A. Hull**, York, PA (US)

(72) Inventors: **Christopher S. Gieski**, Dillsburg, PA (US); **William E. Tanis**, Mechanicsburg, PA (US); **Gregory A. Hull**, York, PA (US)

(73) Assignee: **FCI AMERICAS TECHNOLOGY LLC**, Carson City, NV (US)

(**) Term: **14 Years**

(21) Appl. No.: **29/473,981**

(22) Filed: **Nov. 27, 2013**

(51) **LOC (10) Cl.** **13-03**

(52) **U.S. Cl.**
USPC **D13/154**

(58) **Field of Classification Search**
USPC D13/146, 147, 154, 184, 199
See application file for complete search history.

(56) **References Cited**

U.S. PATENT DOCUMENTS

D517,992 S *	3/2006	Riku	D13/147
D520,454 S *	5/2006	Riku	D13/147
D616,827 S	6/2010	Ngo et al.		
D626,074 S	10/2010	Ngo et al.		
D629,761 S	12/2010	Ngo et al.		
D636,737 S *	4/2011	Ngo et al.	D13/154
D713,356 S *	9/2014	Buck et al.	D13/154
2013/0273781 A1	10/2013	Buck et al.		

OTHER PUBLICATIONS

U.S. Appl. No. 29/473,975, filed Nov. 27, 2013, Gieski et al.

* cited by examiner

Primary Examiner — Daniel Bui

(74) *Attorney, Agent, or Firm* — Baker & Hostetler

(57) **CLAIM**

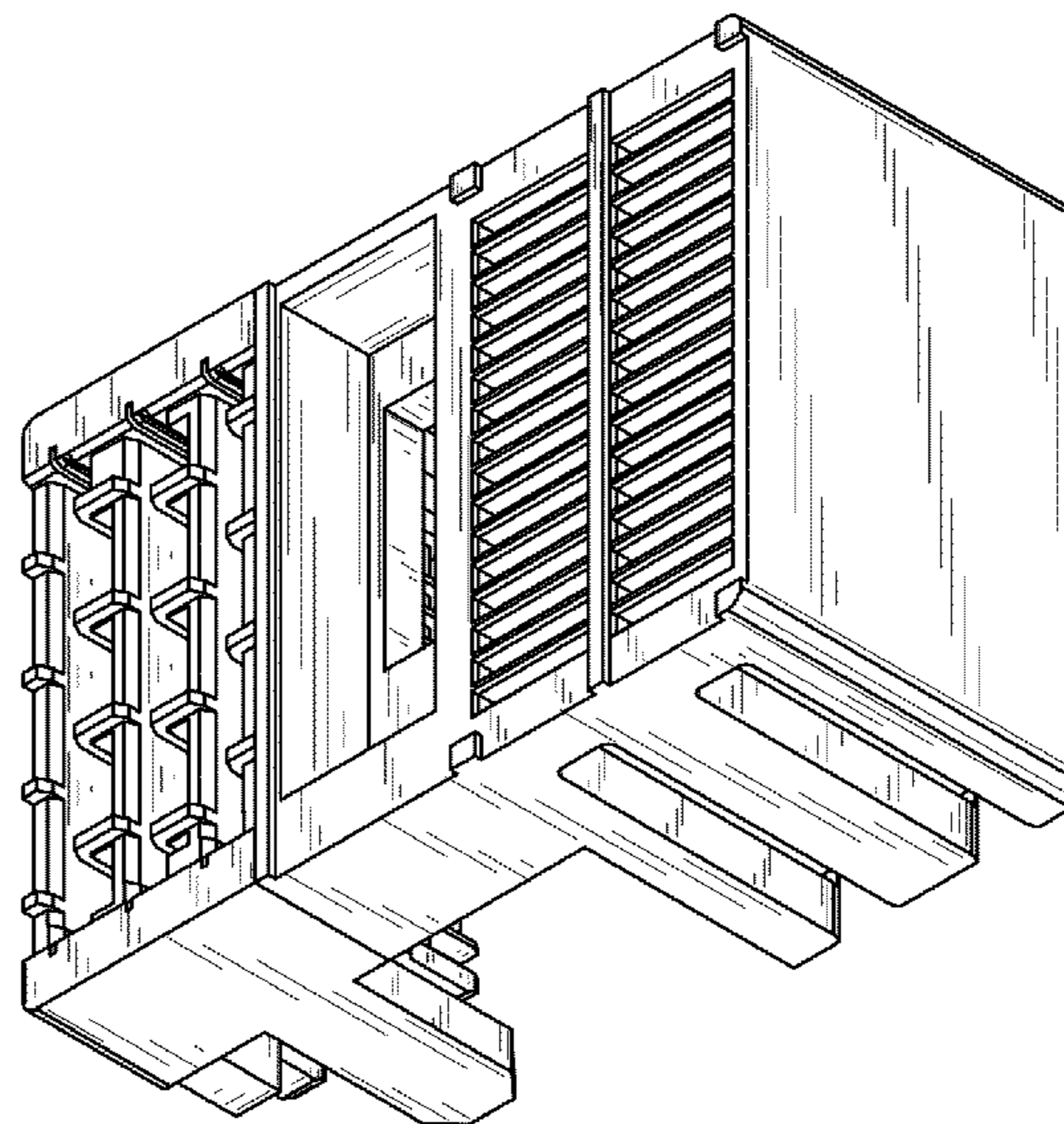
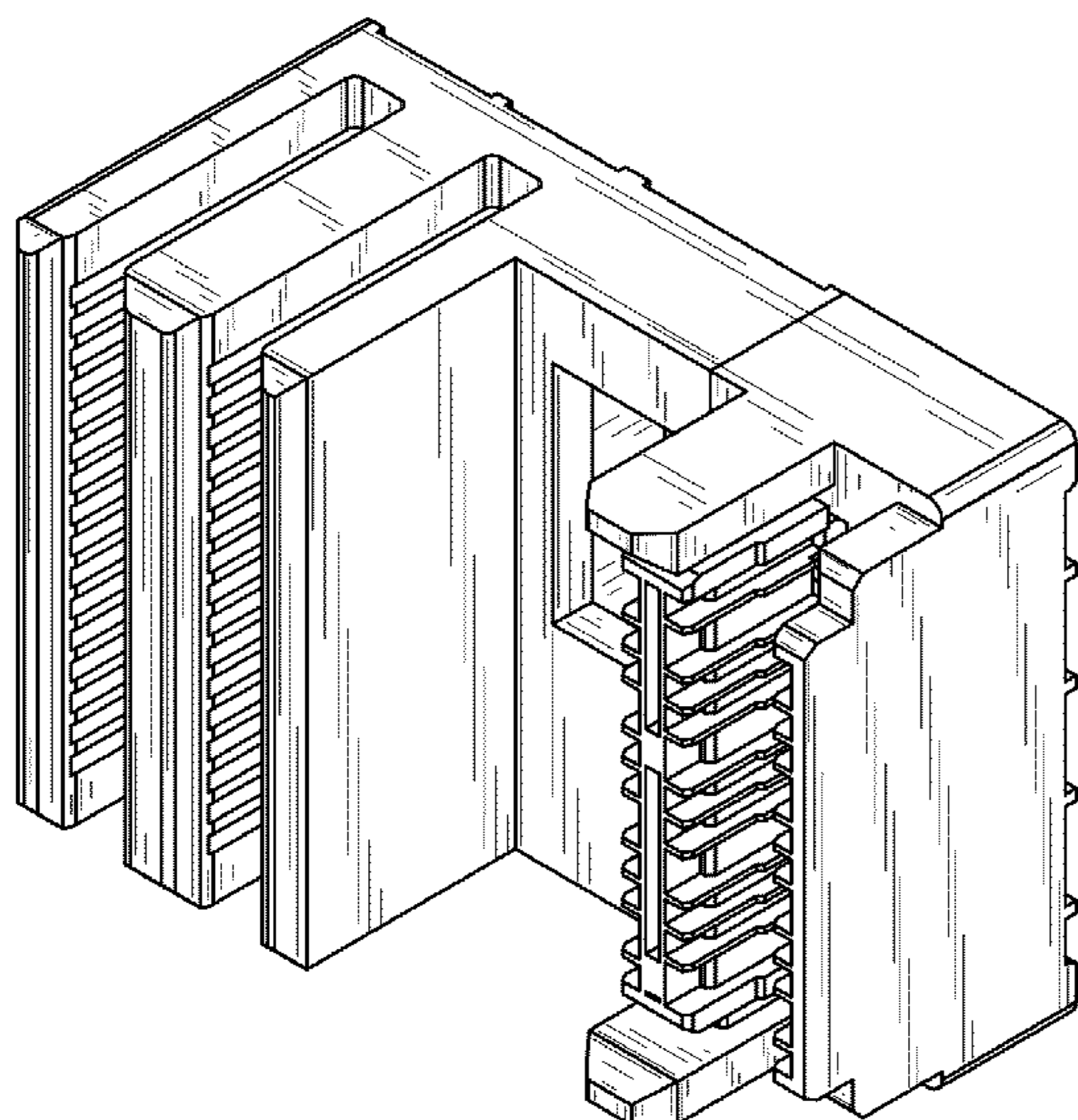
The ornamental design for an electrical connector housing, as shown and described.

DESCRIPTION

FIG. 1 is a top, left, front perspective view of an electrical connector housing showing our new design;
 FIG. 2 is a bottom, right, rear perspective view thereof;
 FIG. 3 is a bottom, right, front perspective view thereof;
 FIG. 4 is an enlarged view of area 4 of FIG. 3;
 FIG. 5 is an enlarged view of area 5 of FIG. 3;
 FIG. 6 is a top, left, front perspective view thereof;
 FIG. 7 is an enlarged view of area 7 of FIG. 6;
 FIG. 8 is an enlarged view of area 8 of FIG. 6;
 FIG. 9 is a top, left, rear perspective view thereof;
 FIG. 10 is an enlarged view of area 10 of FIG. 9;
 FIG. 11 is an enlarged view of area 11 of FIG. 9;
 FIG. 12 is a bottom, right, rear perspective view thereof;
 FIG. 13 is an enlarged view of area 13 of FIG. 12;
 FIG. 14 is an enlarged view of area 14 of FIG. 12;
 FIG. 15 is a front elevation view thereof;
 FIG. 16 is a rear elevation view thereof;
 FIG. 17 top plan view thereof;
 FIG. 18 is a bottom plan view thereof;
 FIG. 19 is a right side elevation view thereof; and,
 FIG. 20 is a left side elevation view thereof.

The broken line portion of the figure drawings is included to show unclaimed subject matter only for the purpose of illustrating environment and forms no part of the claimed design.

1 Claim, 12 Drawing Sheets



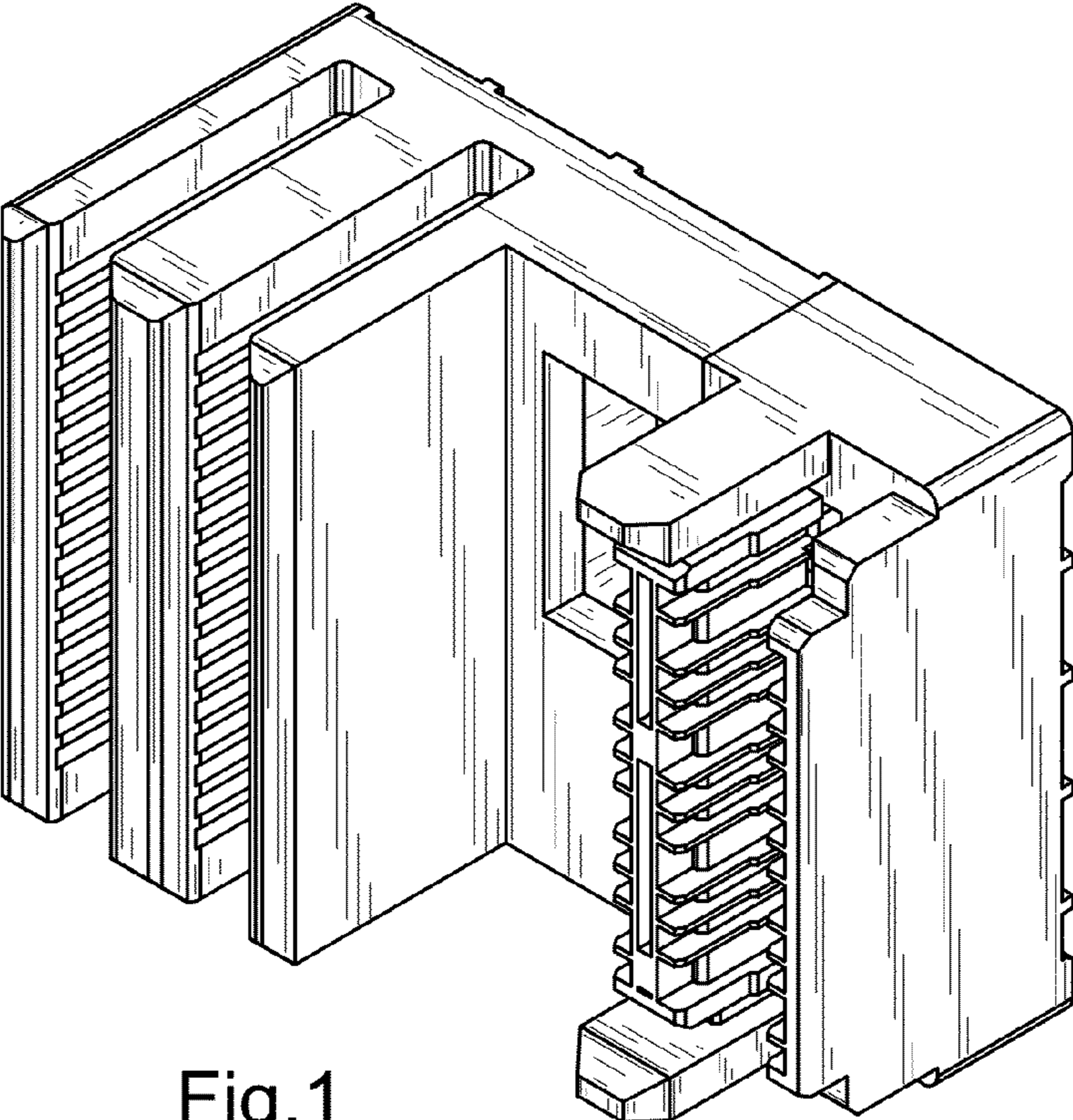


Fig.1

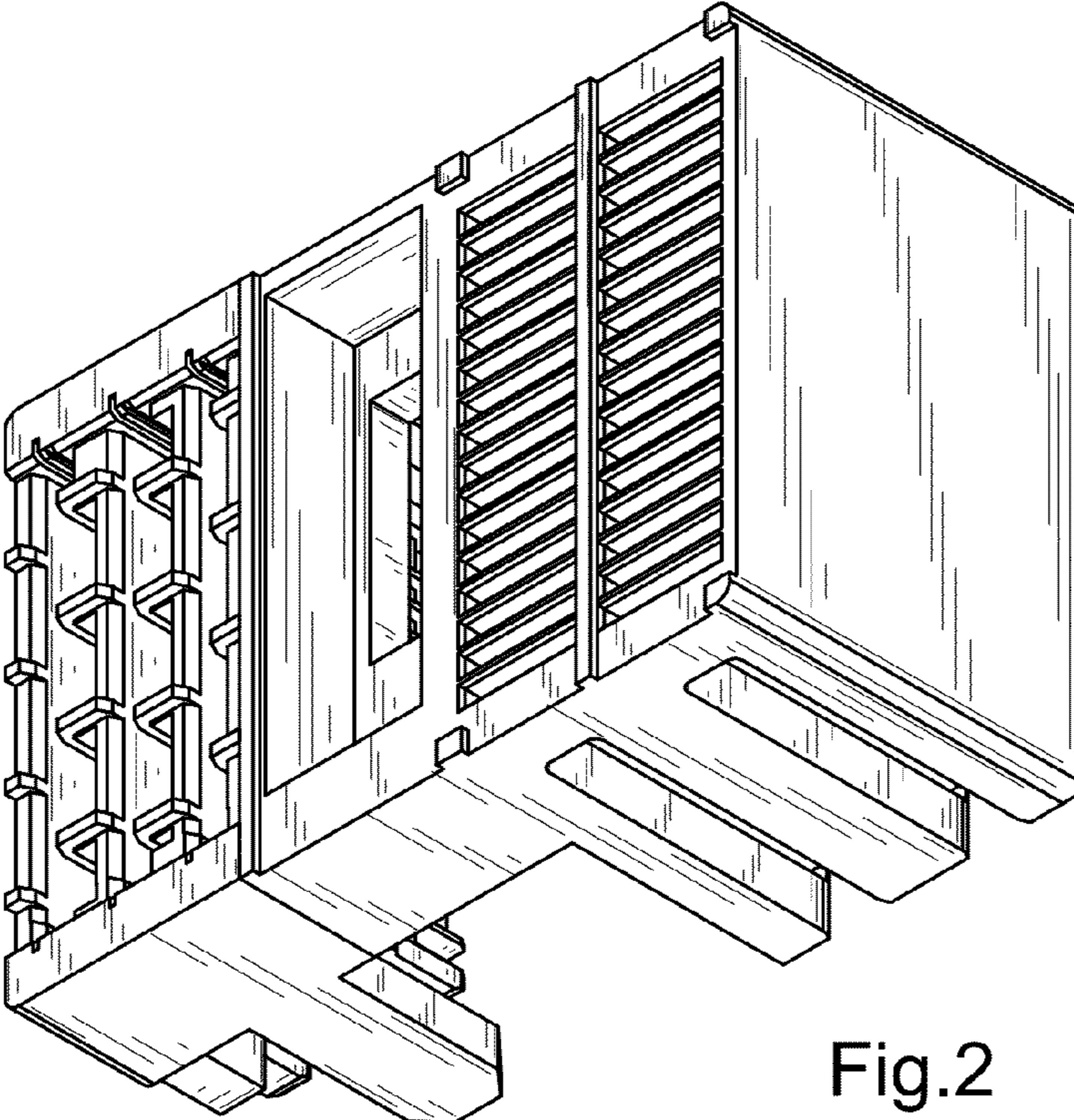
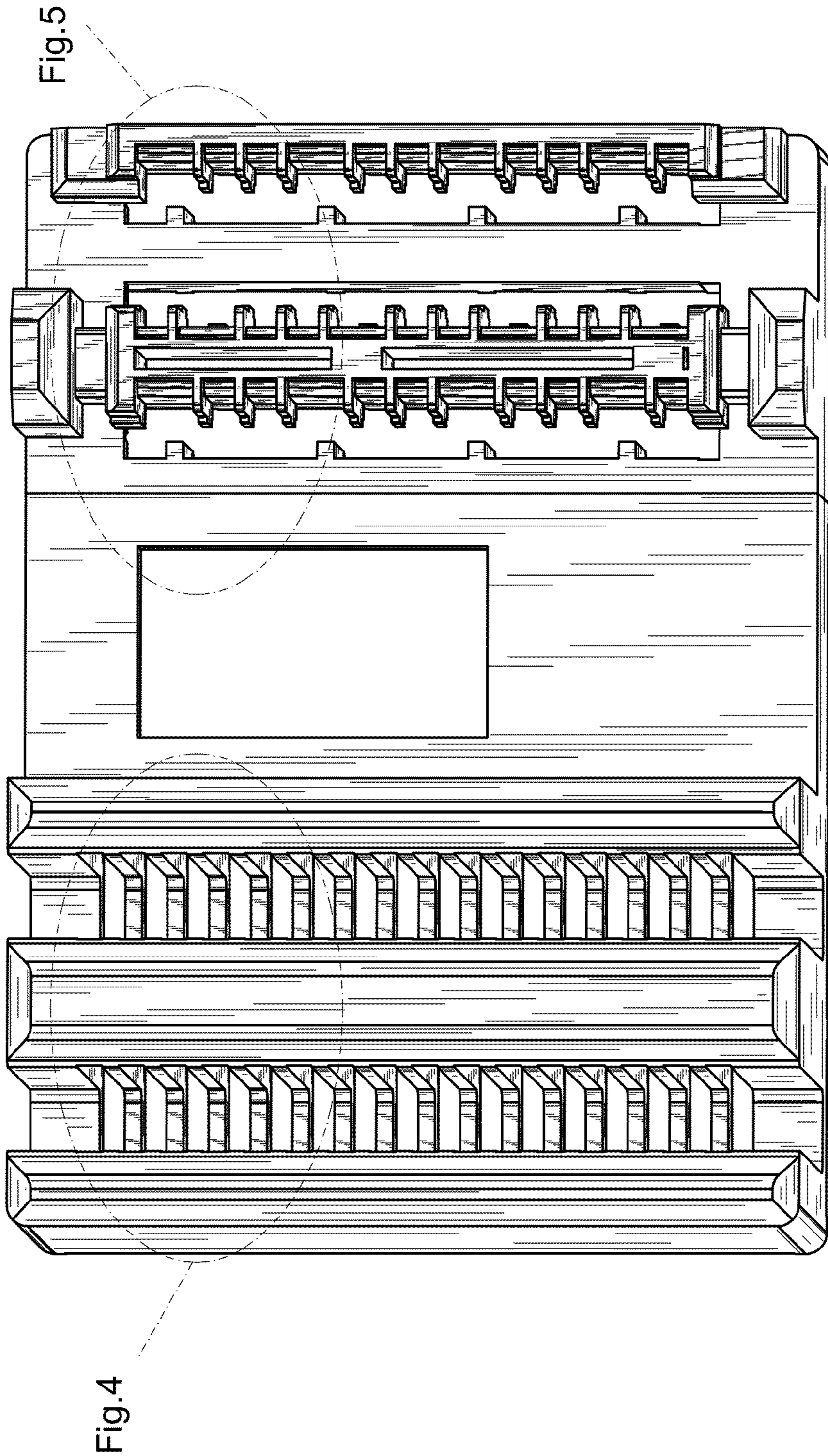


Fig.2



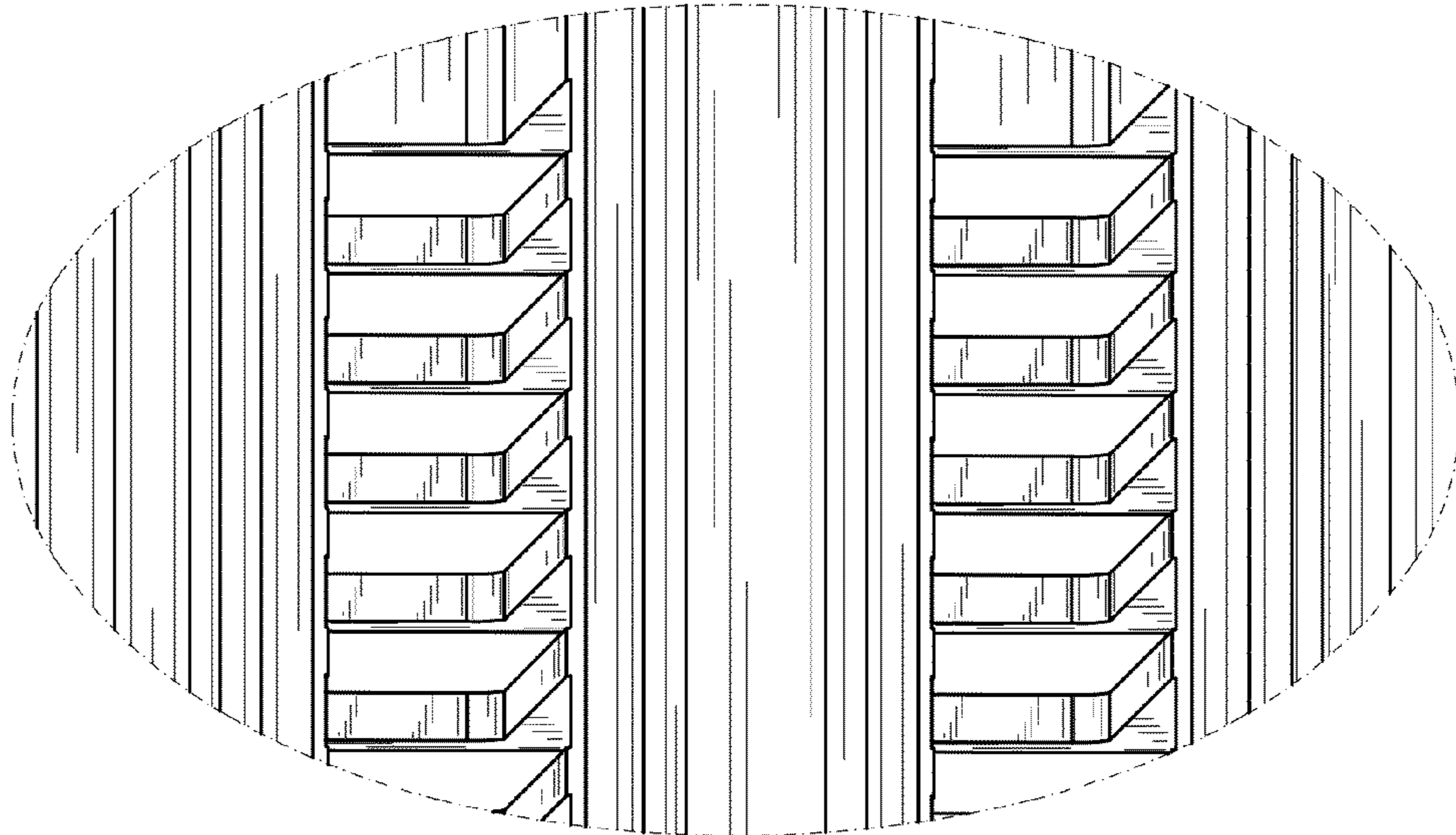


Fig.4

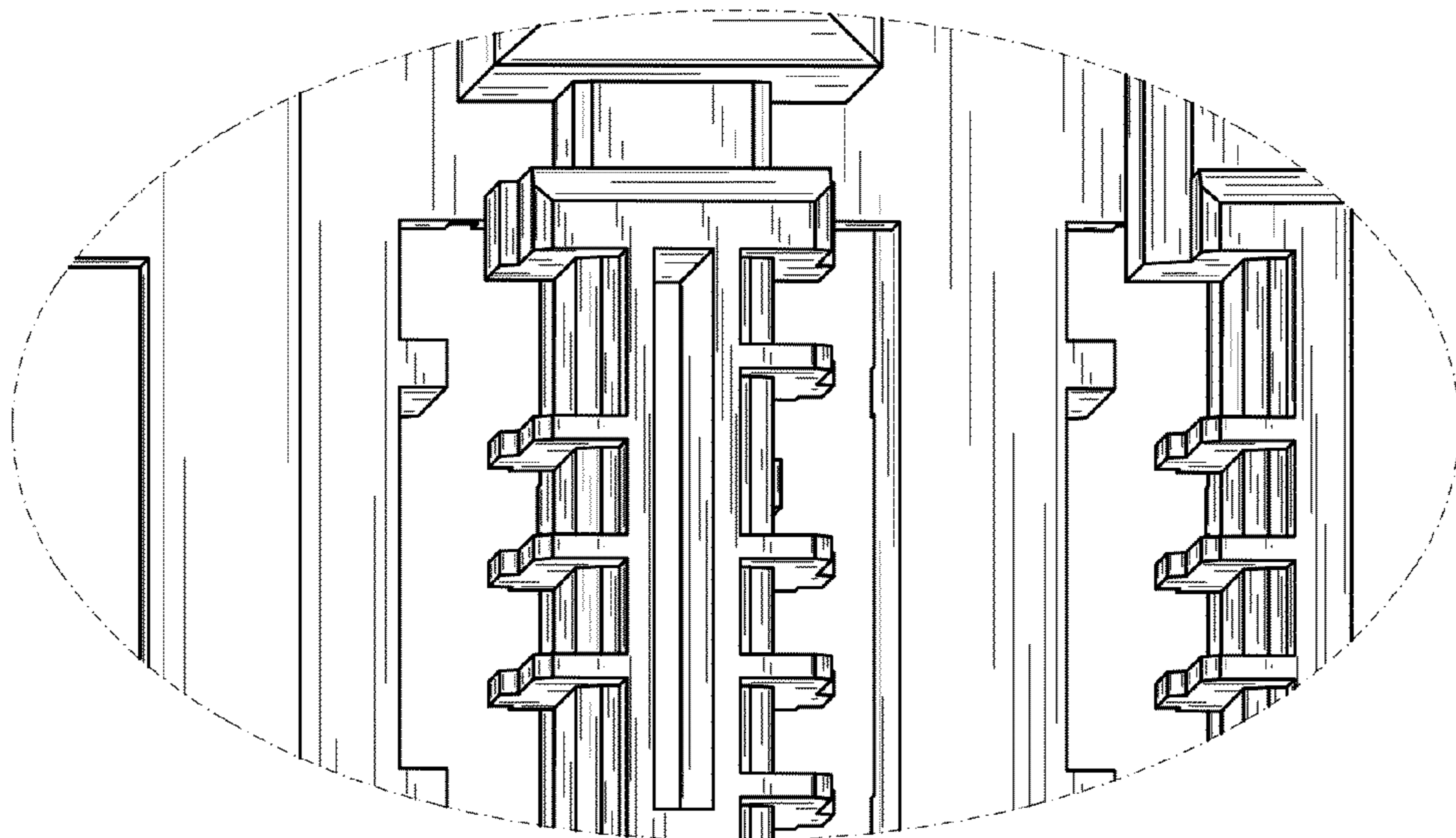
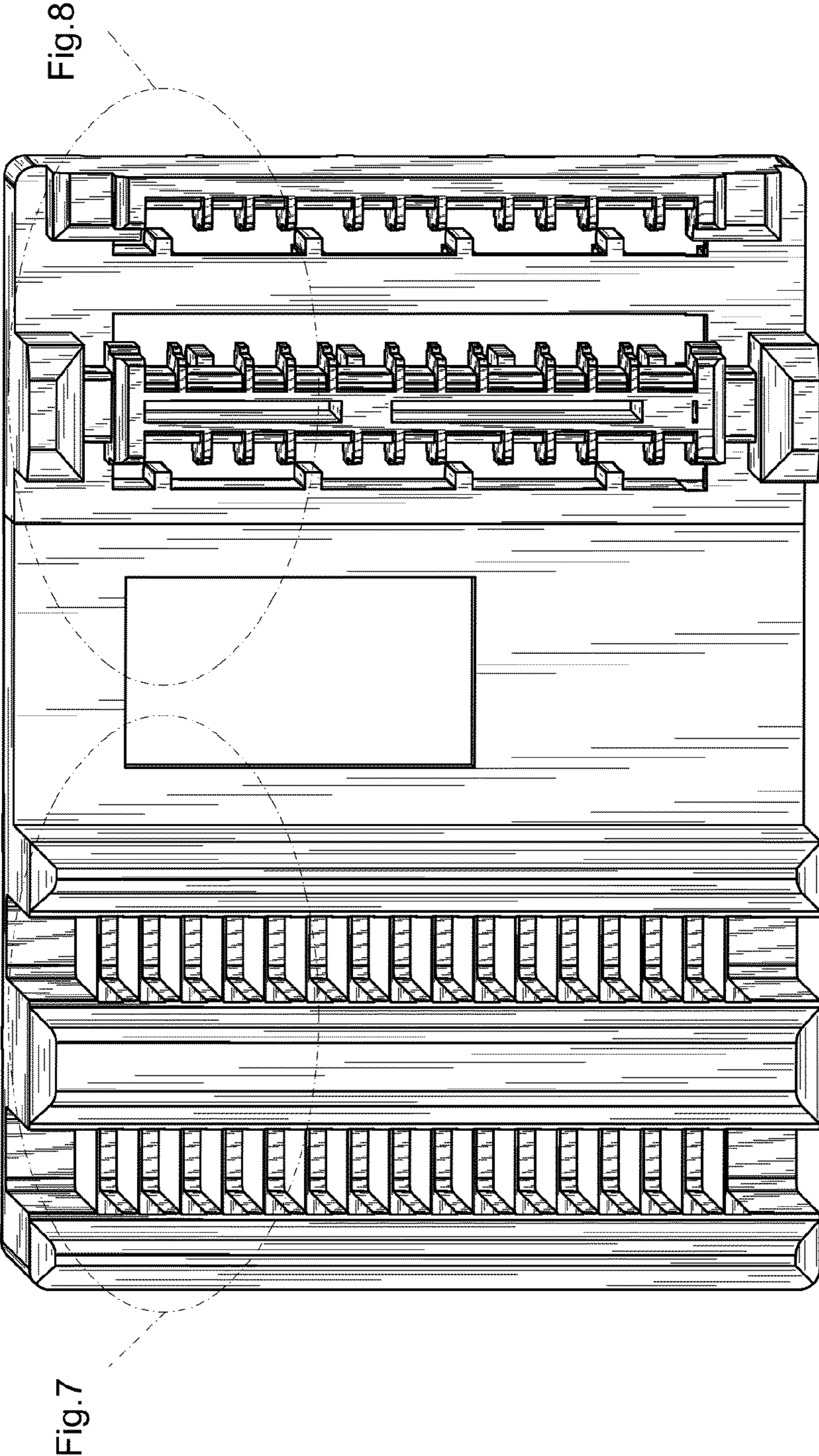


Fig.5



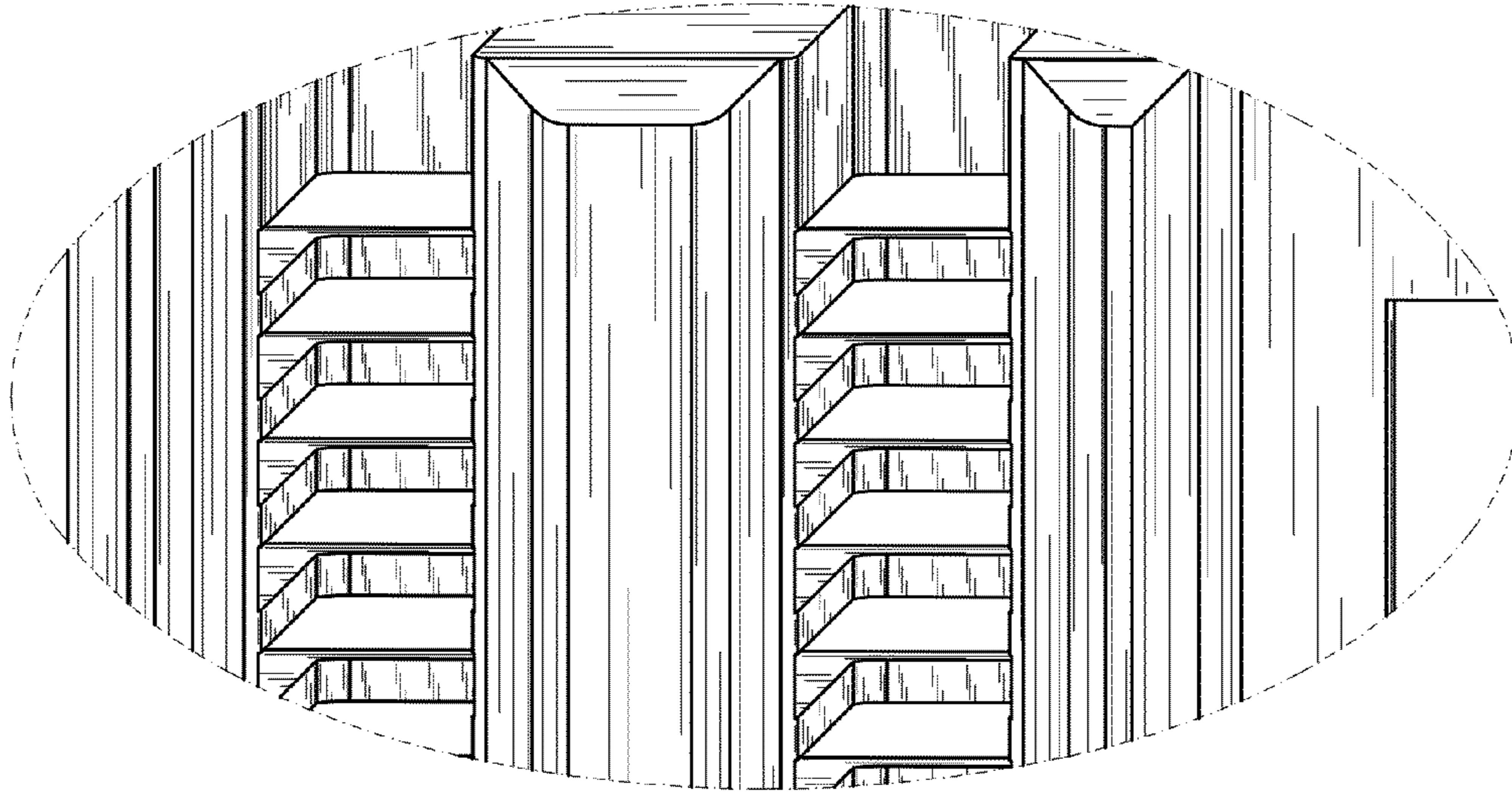


Fig.7

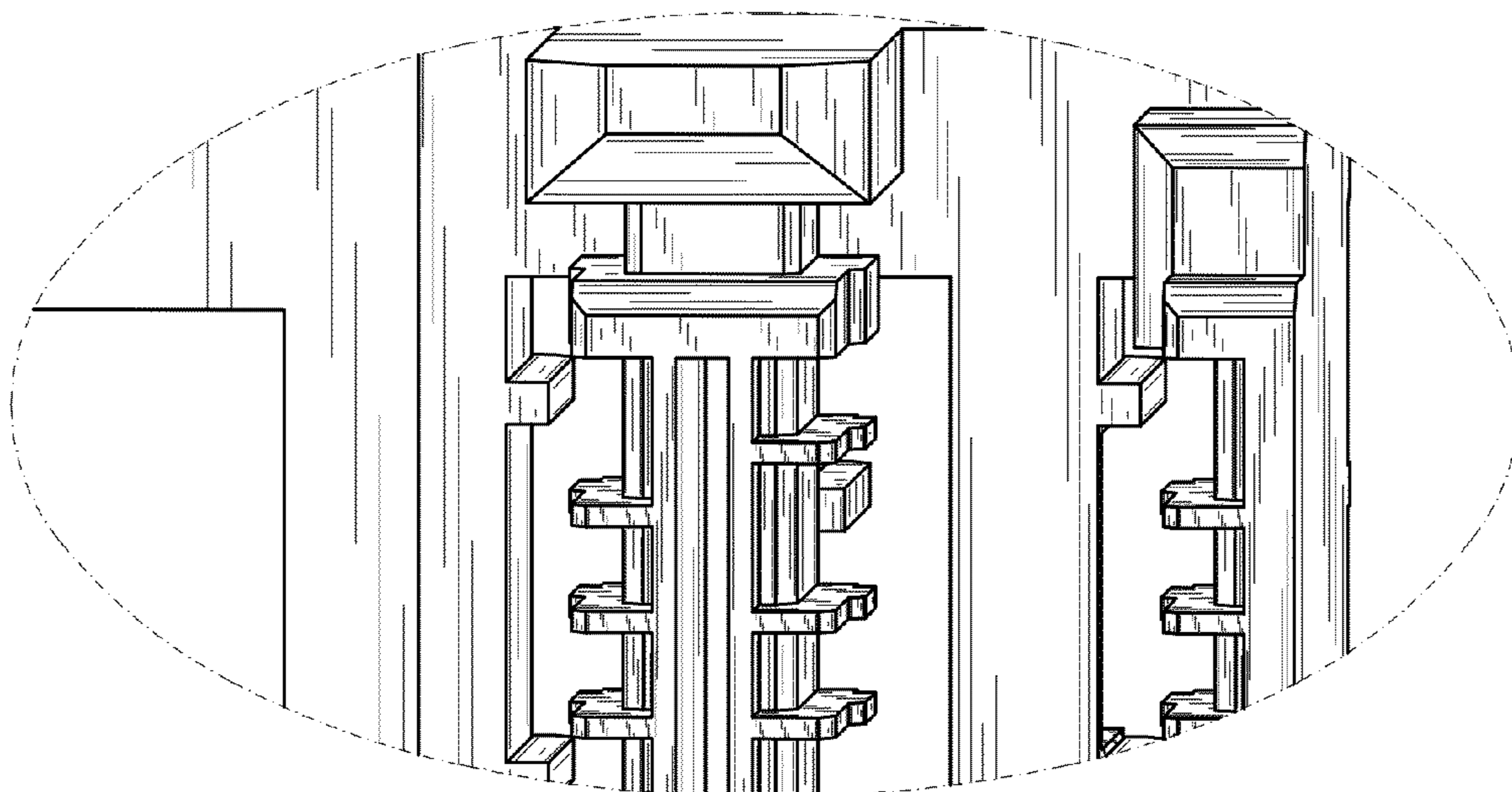


Fig.8

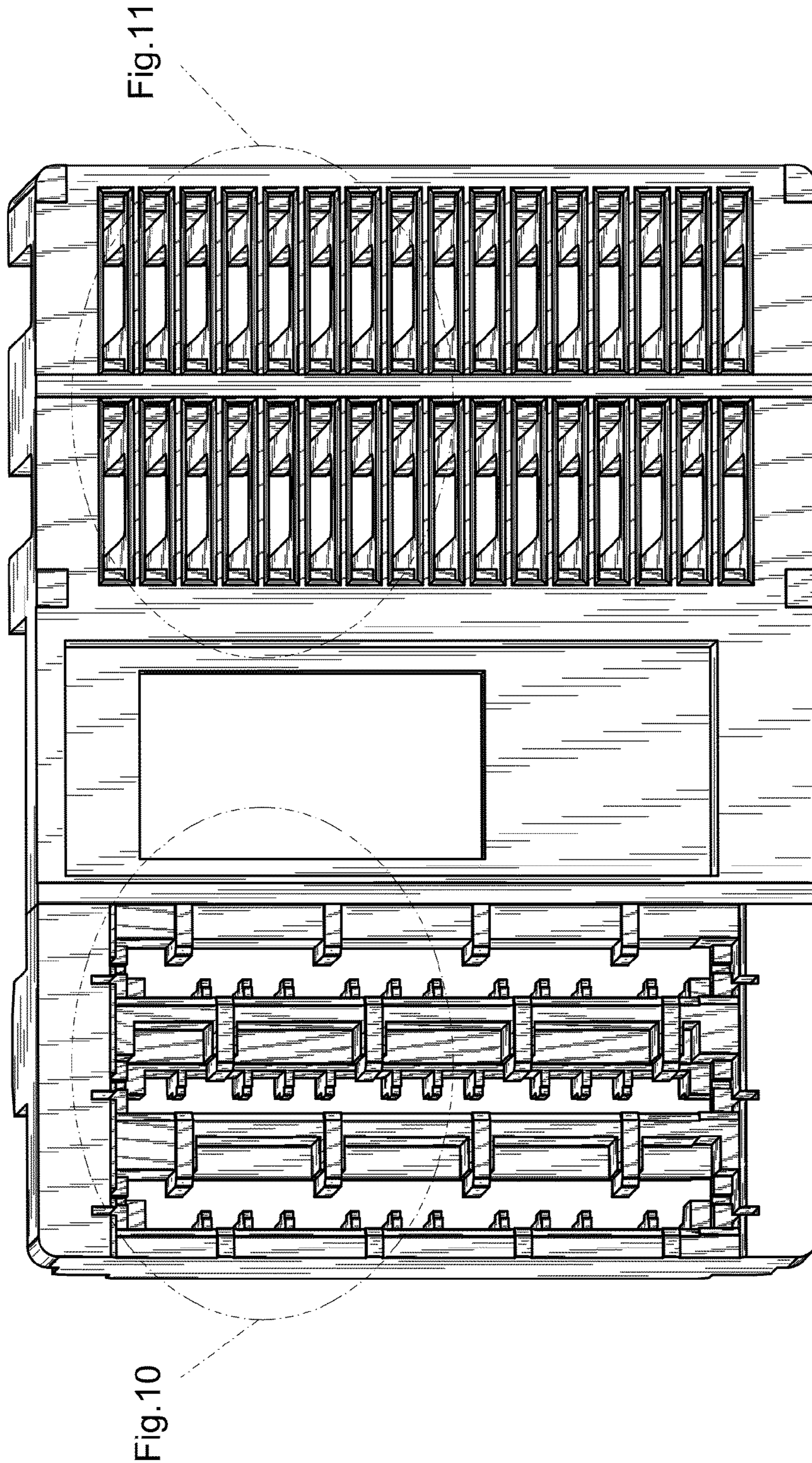


Fig. 9

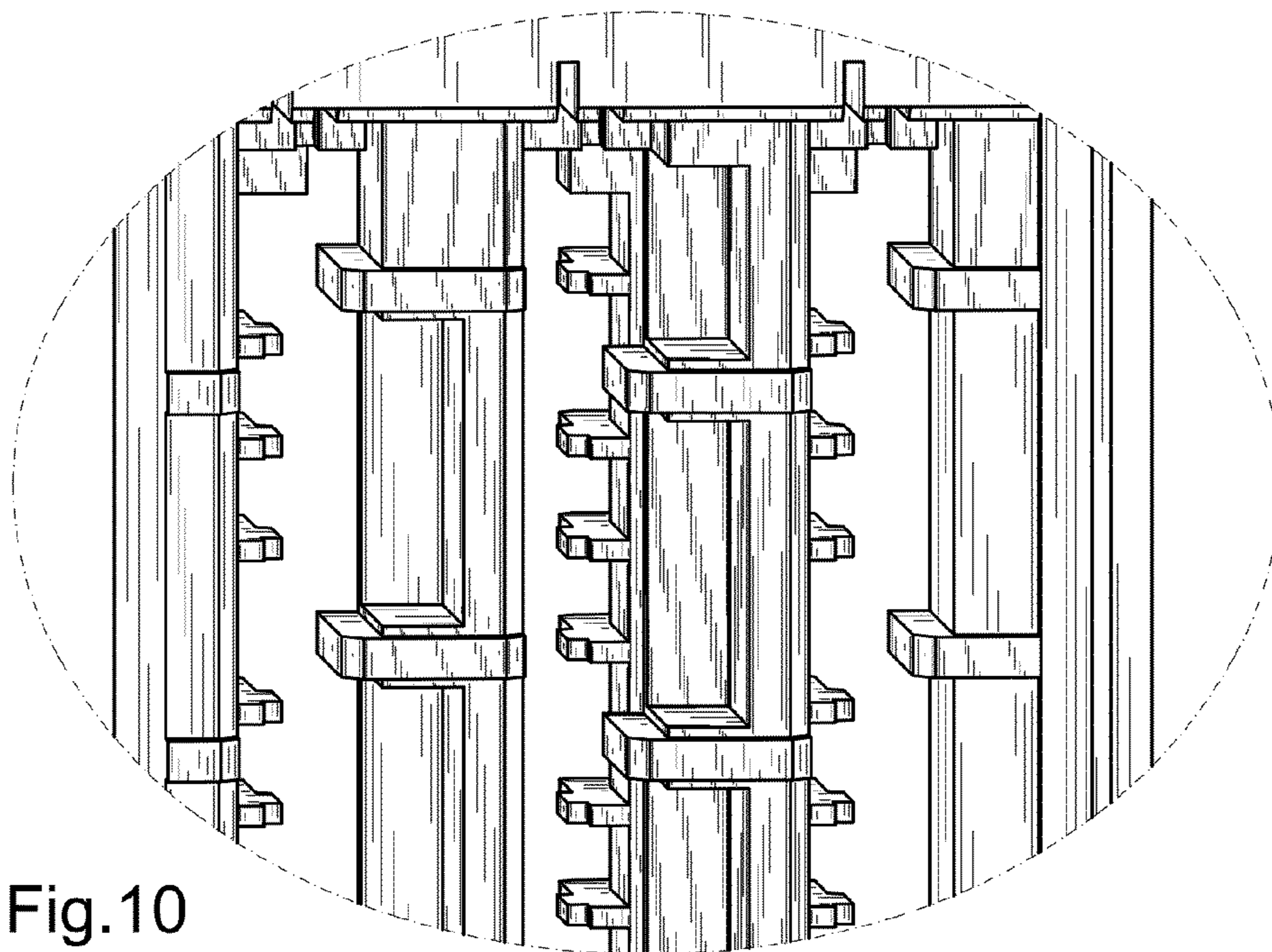


Fig.10

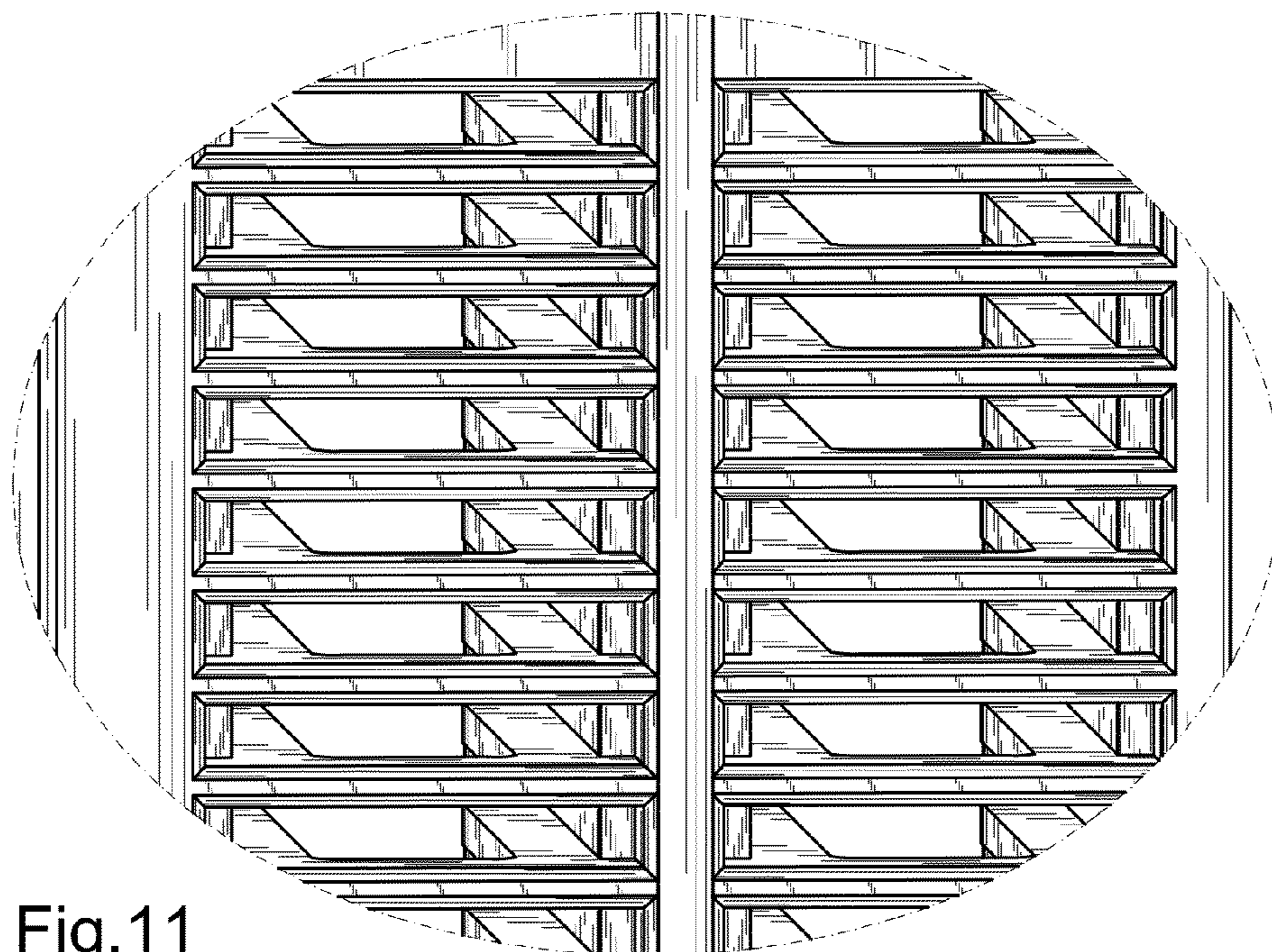


Fig.11

Fig.14

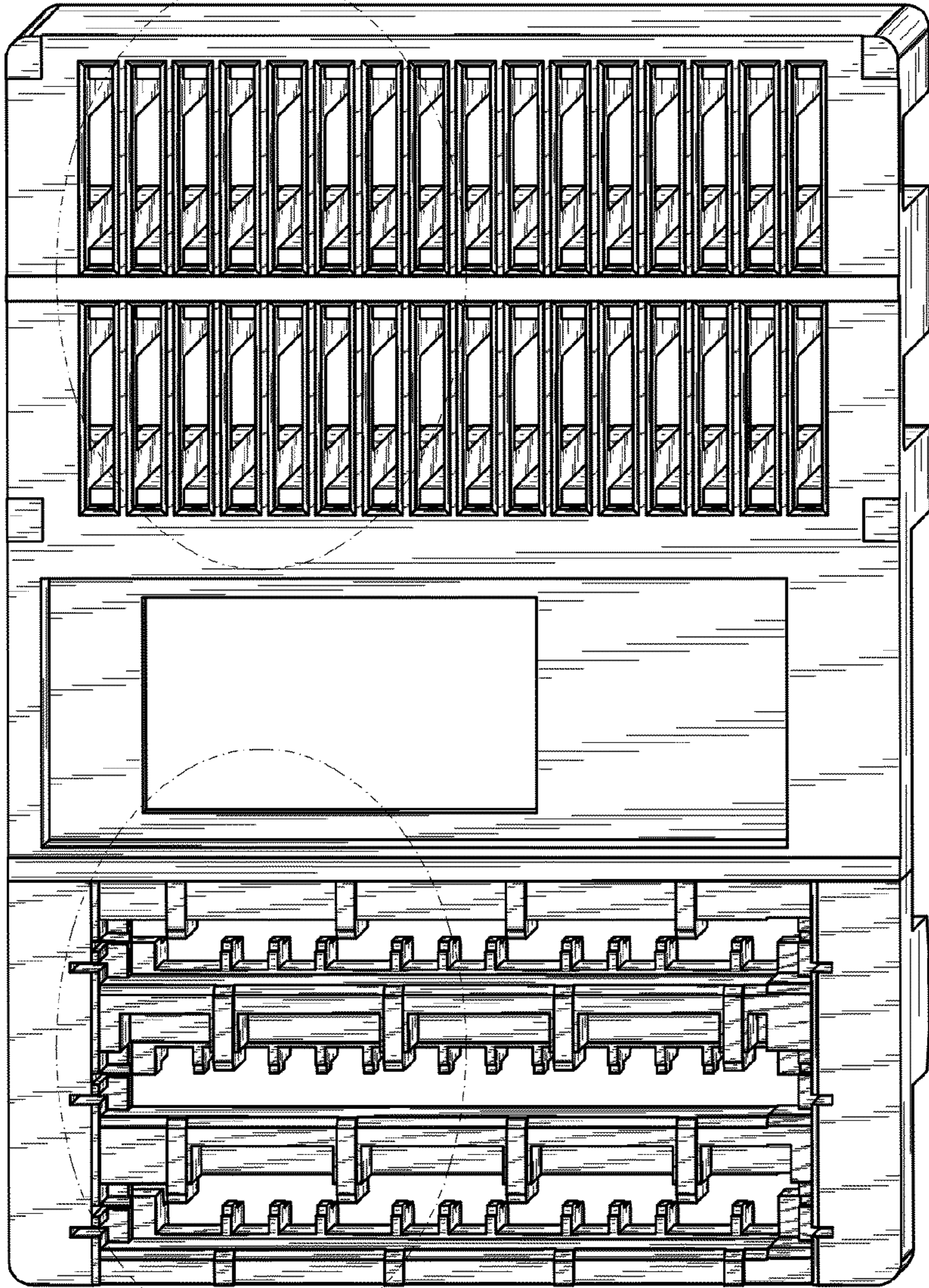
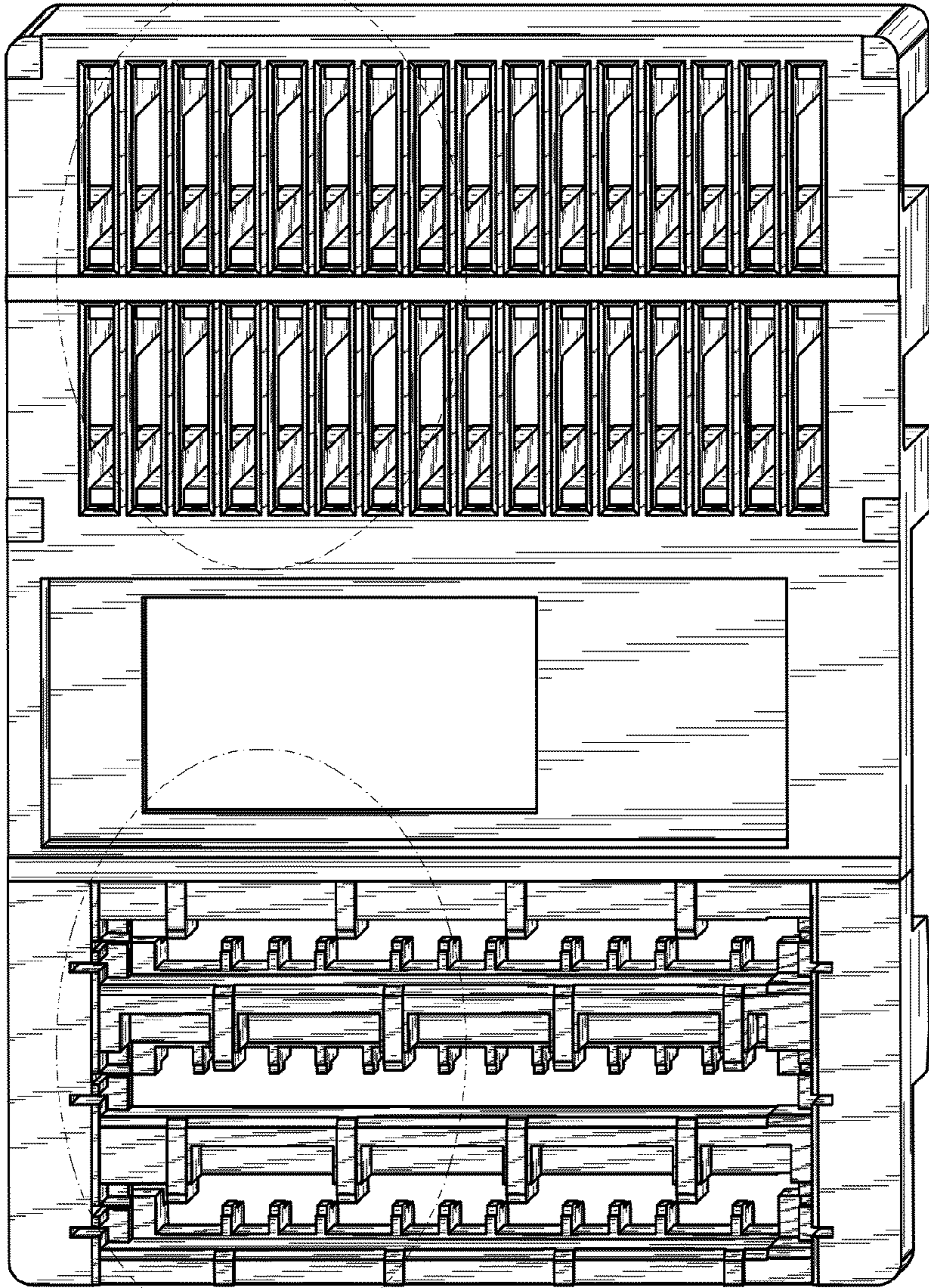


Fig.12

Fig.13



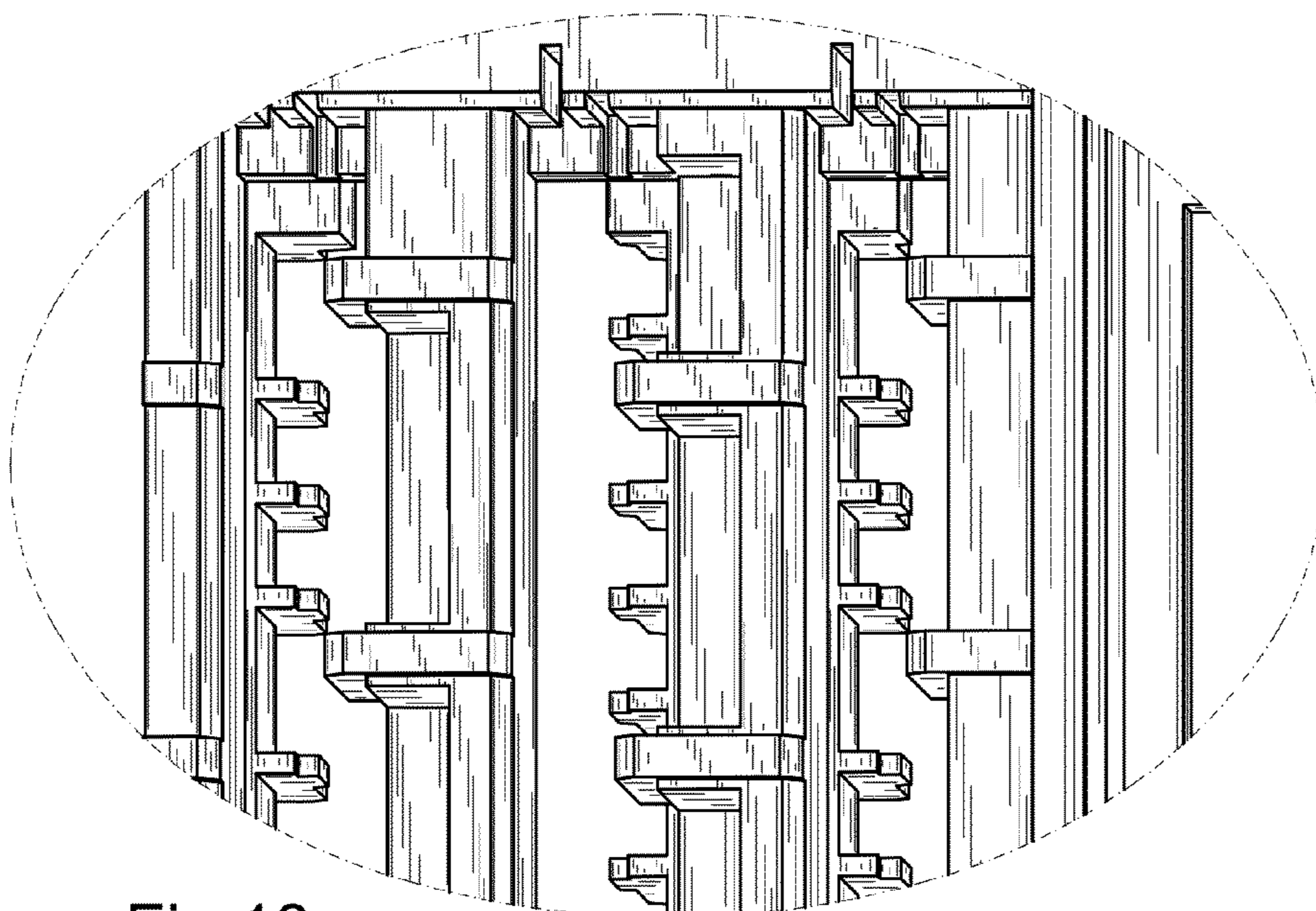


Fig.13

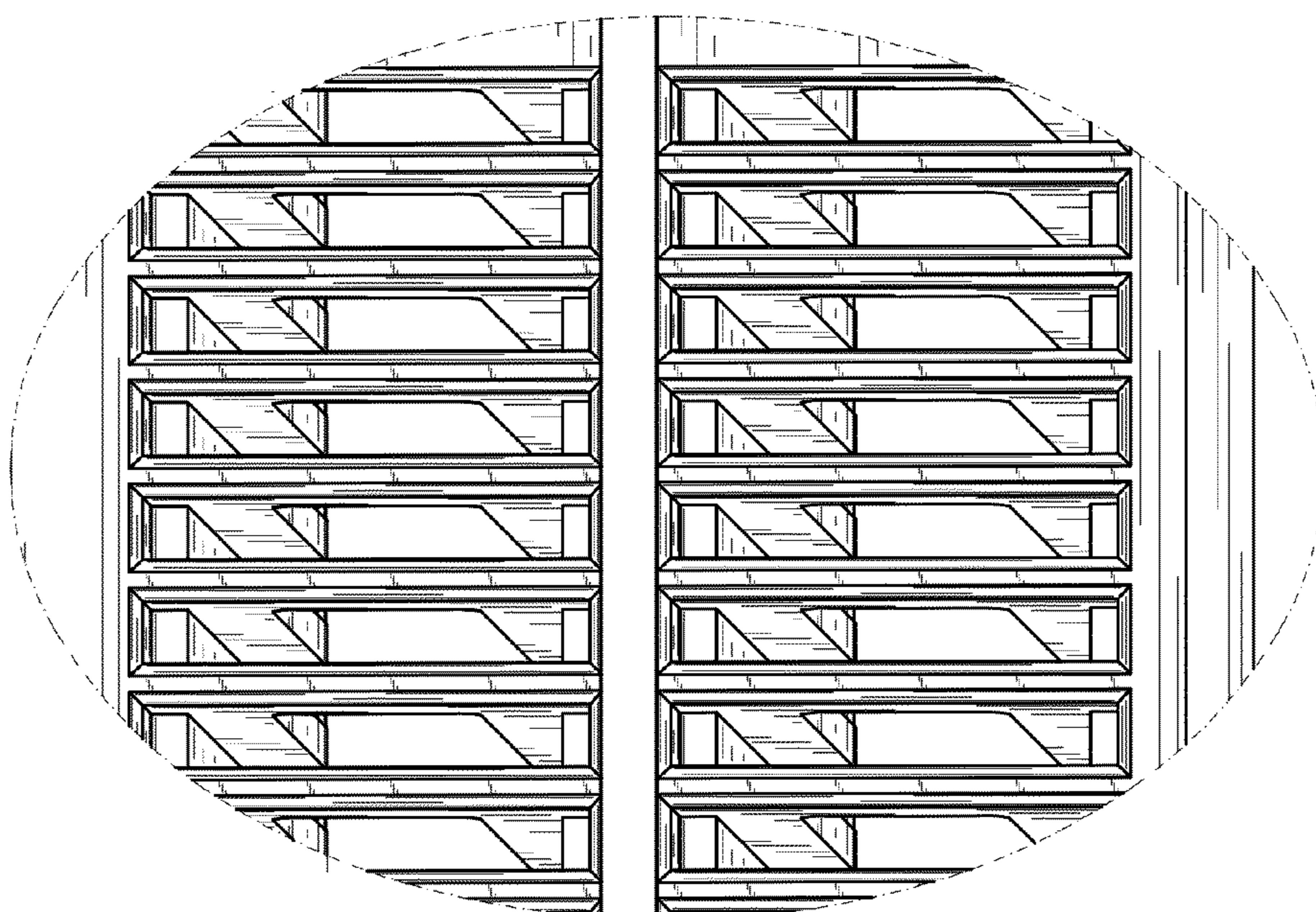


Fig.14

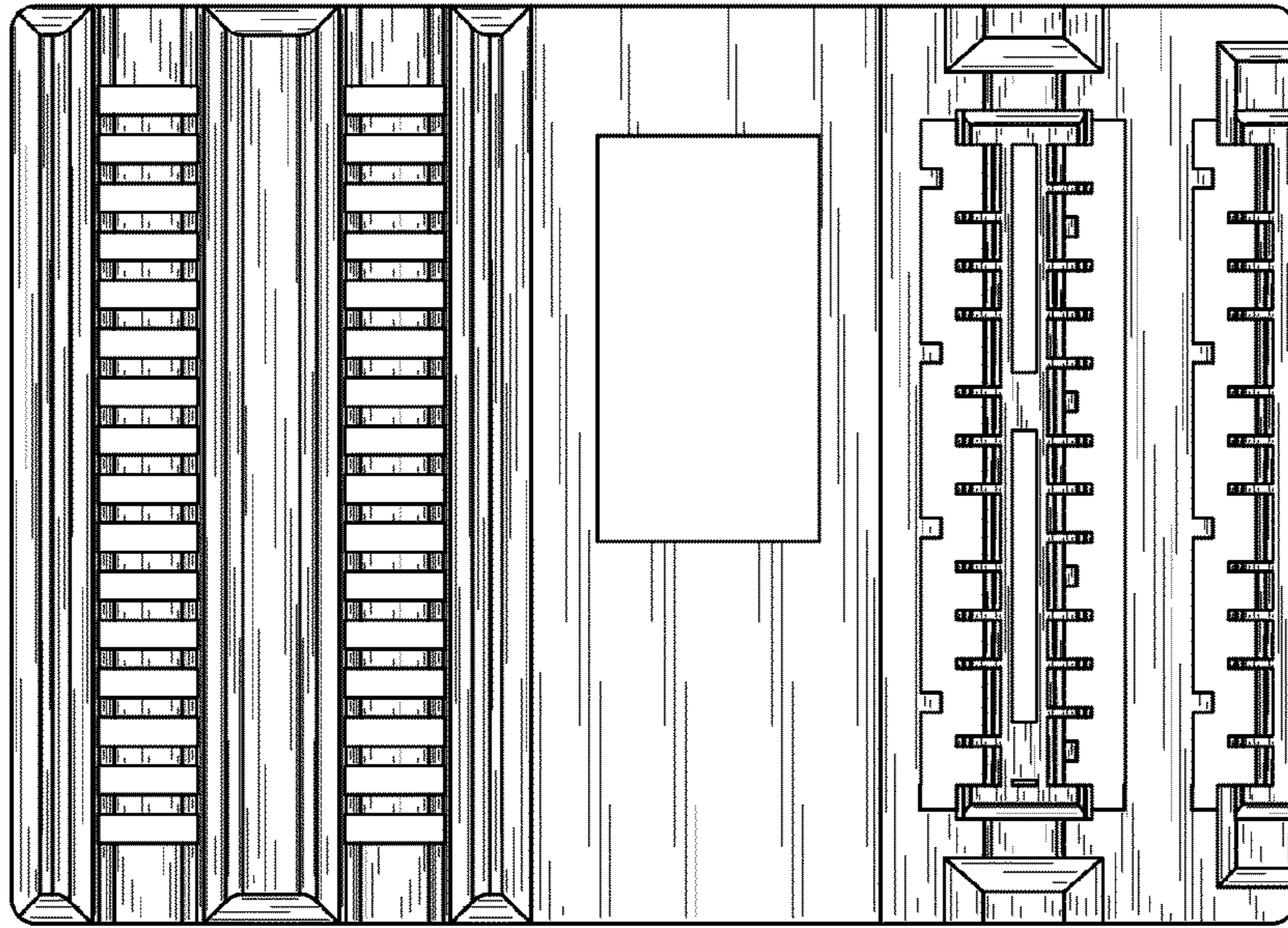


Fig.15

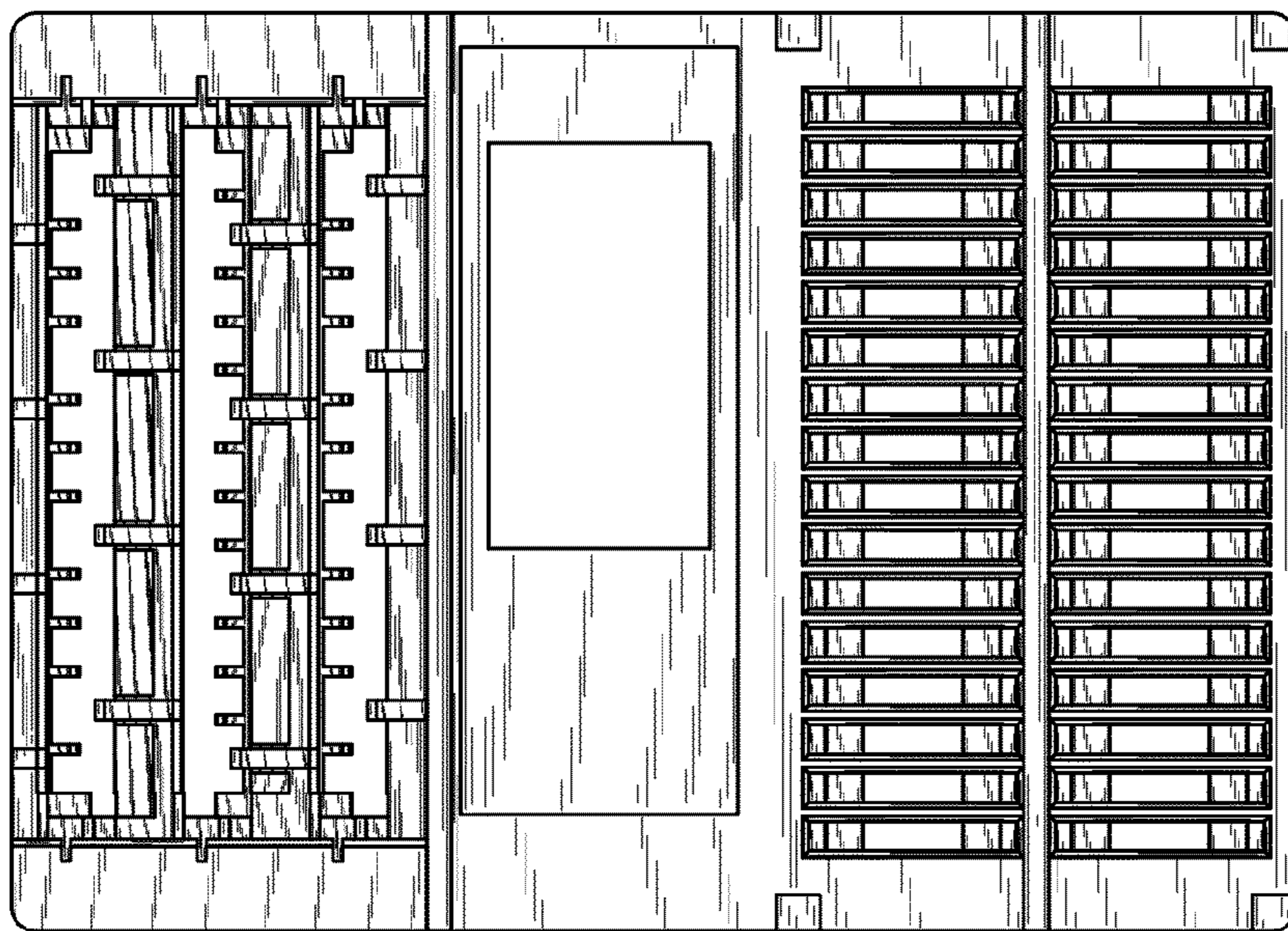


Fig.16

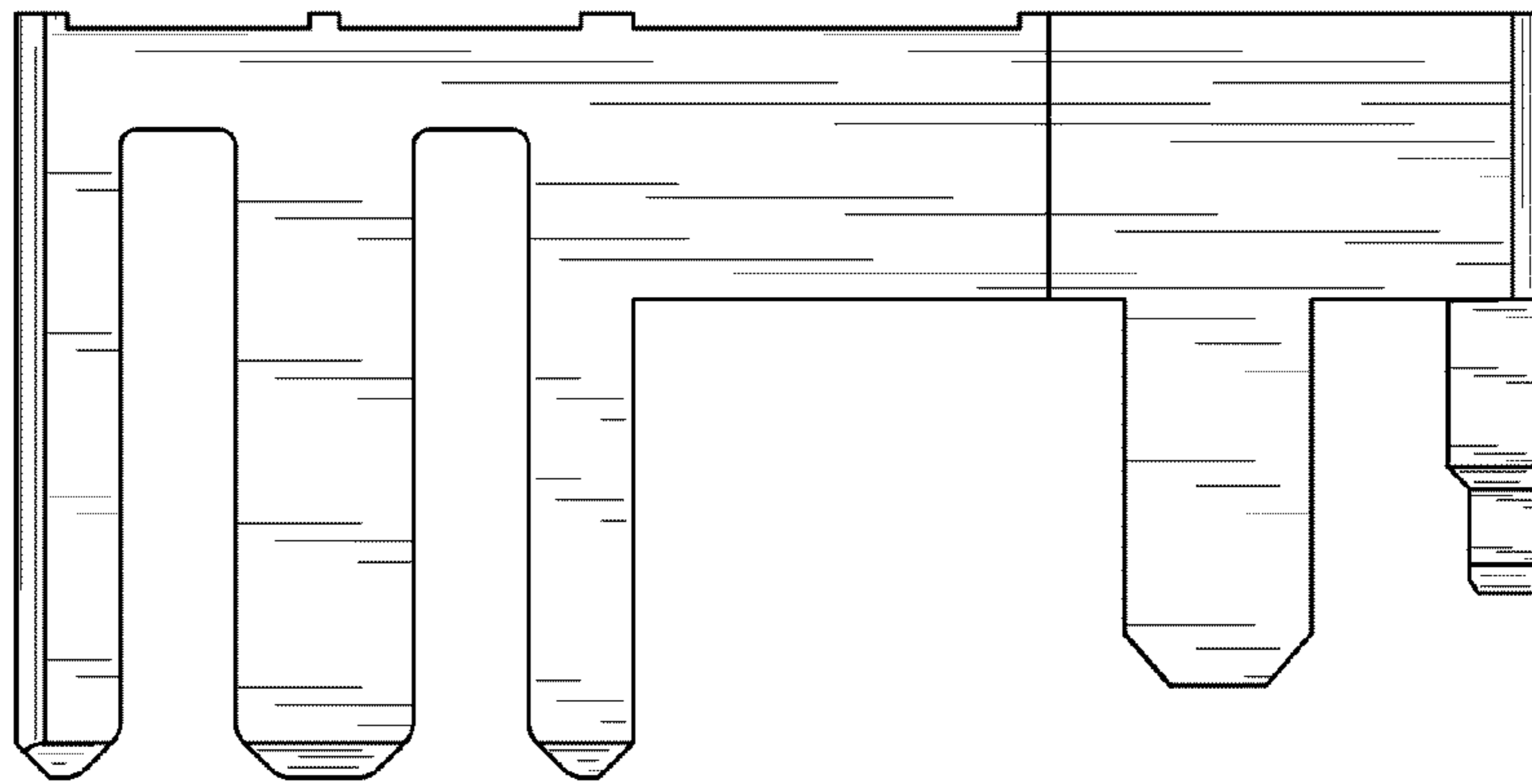


Fig.17

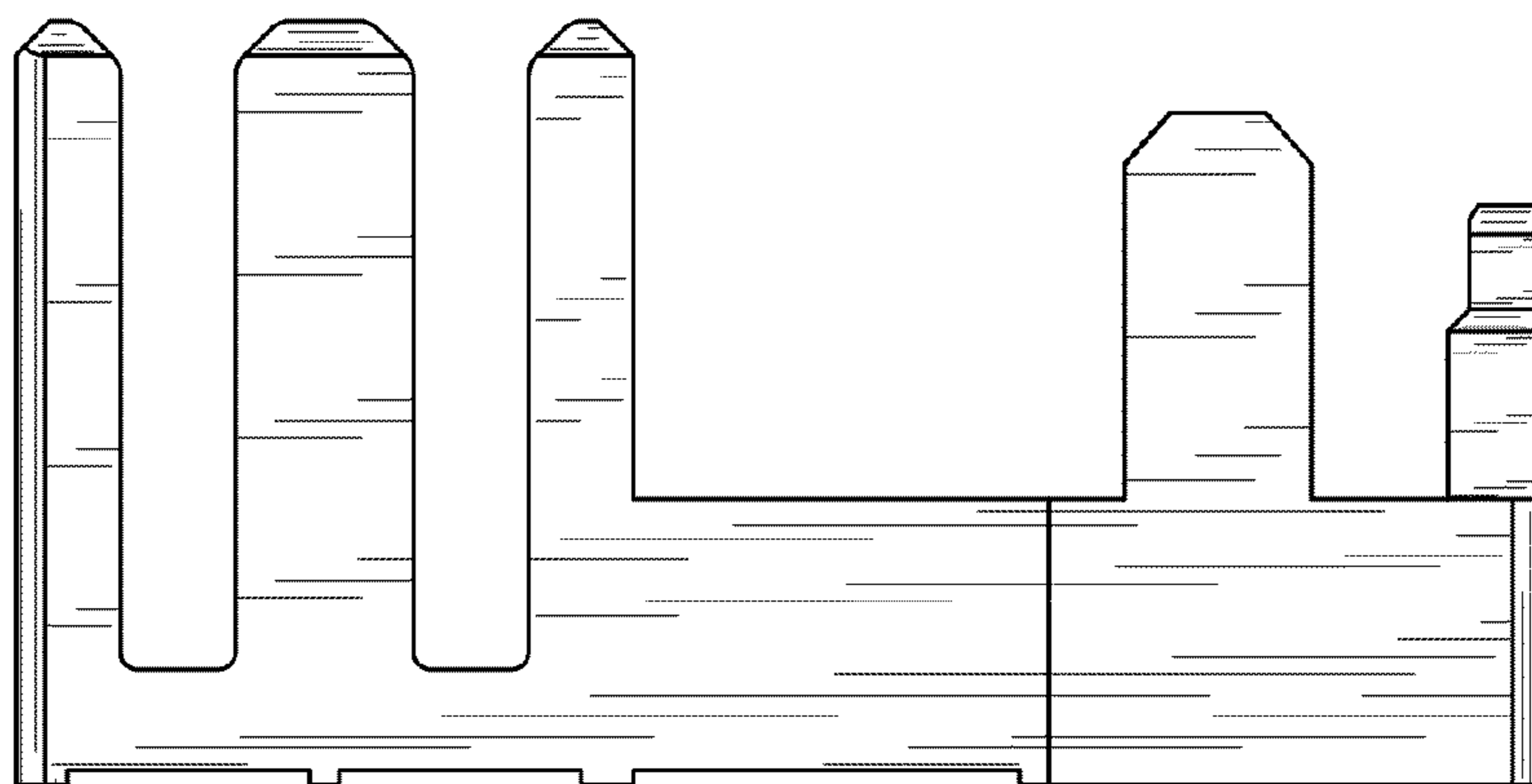


Fig.18

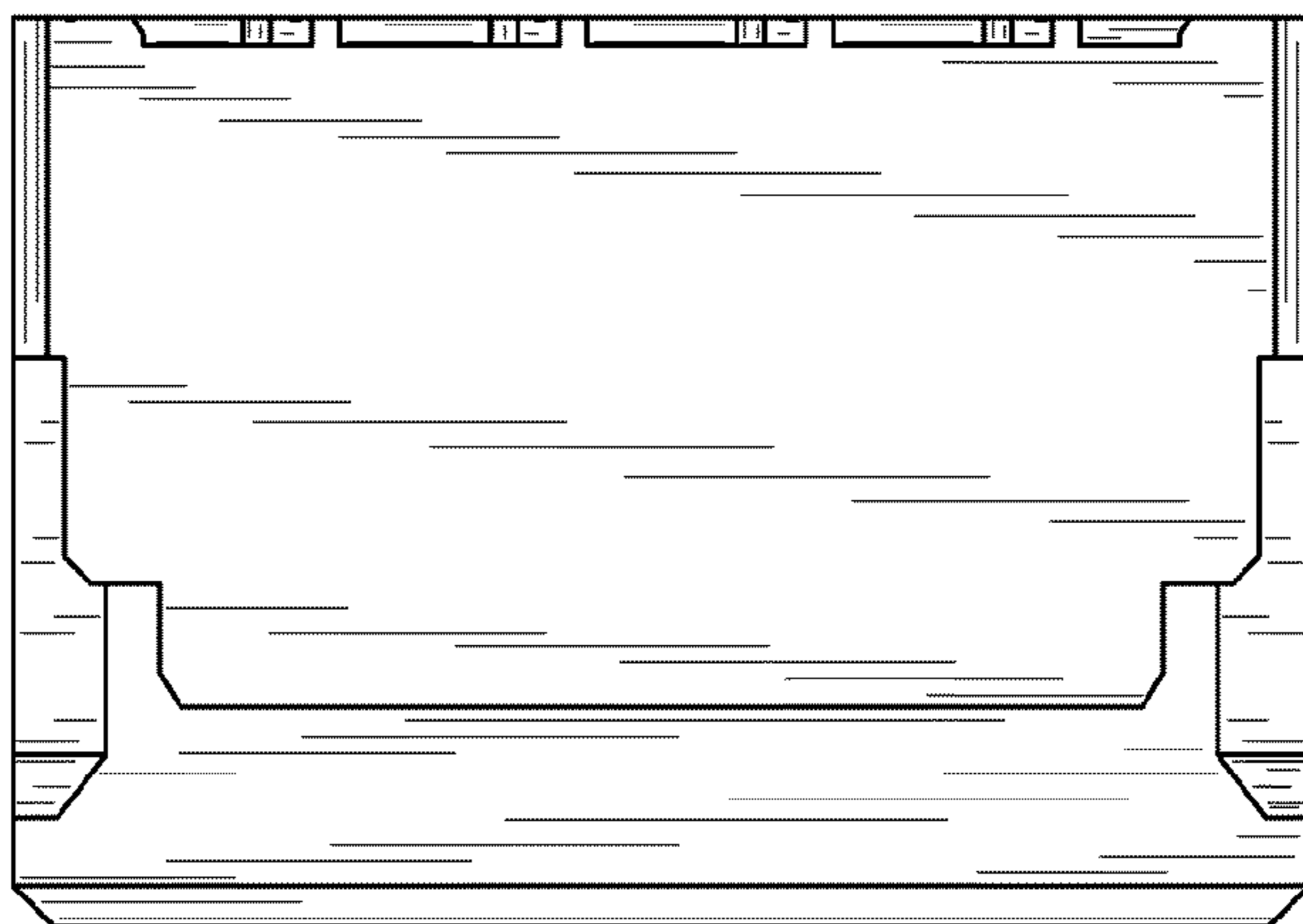


Fig.19

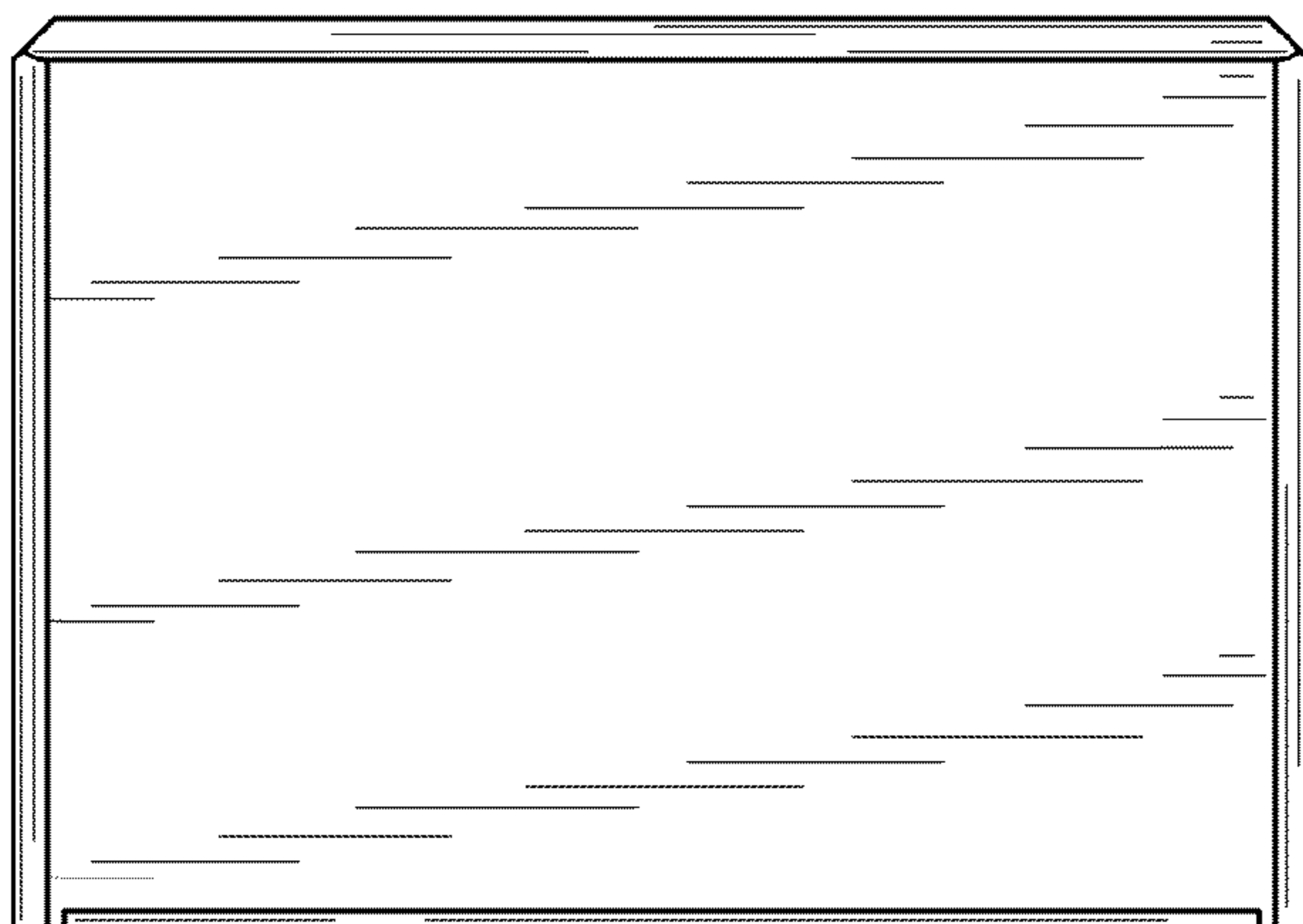


Fig.20

UNITED STATES PATENT AND TRADEMARK OFFICE
CERTIFICATE OF CORRECTION

PATENT NO. : D742,836 S
APPLICATION NO. : 29/473981
DATED : November 10, 2015
INVENTOR(S) : Christopher S. Gieski et al.

Page 1 of 1

It is certified that error appears in the above-identified patent and that said Letters Patent is hereby corrected as shown below:

On the Title Page:

(57) DESCRIPTION: after the description of the Figures, insert

--In a preferred embodiment, the nature of this product is an electrical connector housing for supporting electrical contacts.--

Signed and Sealed this
Twentieth Day of December, 2016



Michelle K. Lee
Director of the United States Patent and Trademark Office