



US00D742831S

(12) **United States Design Patent**
Yu et al.

(10) **Patent No.:** **US D742,831 S**
(45) **Date of Patent:** **** Nov. 10, 2015**

(54) **GROUND FAULT CIRCUIT INTERRUPTER**

(71) Applicant: **Tower Manufacturing Corporation**,
Providence, RI (US)

(72) Inventors: **Andy Yu**, Shenzhen (CN); **Levi Zhou**,
Shenzhen (CN); **Chepur P. Rao**,
Providence, RI (US); **Victor V. Aromin**,
Providence, RI (US)

(73) Assignee: **Tower Manufacturing Corporation**,
Providence, RI (US)

(**) Term: **14 Years**

(21) Appl. No.: **29/450,925**

(22) Filed: **Mar. 26, 2013**

(51) **LOC (10) Cl.** **13-03**

(52) **U.S. Cl.**
USPC **D13/139.6**

(58) **Field of Classification Search**
USPC D13/139.6, 130, 110, 139.8, 137.1,
D13/137.2, 138.1, 138.2, 199, 160;
439/107, 650-653, 501; 363/15, 34,
363/146; 174/65 R, 77 R, 92, 42, 45, 50;
361/42; 30/90.1
CPC H02G 1/1224; H02H 1/0015
See application file for complete search history.

(56) **References Cited**

U.S. PATENT DOCUMENTS

D314,177	S	*	1/1991	Heiligenstein et al. ...	D13/138.1
D356,066	S	*	3/1995	Rao et al.	D13/138.1
5,913,574	A	*	6/1999	D’Amario et al.	30/90.1
D414,747	S	*	10/1999	Aromin	D13/160
D451,481	S	*	12/2001	MacKay	D13/160
D473,188	S	*	4/2003	Cheah et al.	D13/138.2
D511,468	S	*	11/2005	Aromin	D13/138.1
D511,469	S	*	11/2005	Aromin	D13/138.1
D562,766	S	*	2/2008	Yang	D13/110

(Continued)

Primary Examiner — Holly Baynham

Assistant Examiner — Rhea Shields

(74) *Attorney, Agent, or Firm* — Venable LLP; Keith G. Haddaway

(57) **CLAIM**

The ornamental design for a ground fault circuit interrupter, as shown and described.

DESCRIPTION

FIG. 1 is a right front perspective side view of a ground fault circuit interrupter according to a first embodiment of the present invention;

FIG. 2 is a right back perspective view of a ground fault circuit interrupter according to a first embodiment of the present invention;

FIG. 3 is a front view of a ground fault circuit interrupter according to a first embodiment of the present invention;

FIG. 4 is a back view of a ground fault circuit interrupter according to a first embodiment of the present invention;

FIG. 5 is a left side view of a ground fault circuit interrupter according to a first embodiment of the present invention;

FIG. 6 is a right side view of a ground fault circuit interrupter according to a first embodiment of the present invention;

FIG. 7 is a top view of a ground fault circuit interrupter according to a first embodiment of the present invention; and

FIG. 8 is a bottom view of a ground fault circuit interrupter according to a first embodiment of the present invention;

FIG. 9 is a right front perspective view of a ground fault circuit interrupter according to a second embodiment of the present invention;

FIG. 10 is a right back perspective view of a ground fault circuit interrupter according to a second embodiment of the present invention;

FIG. 11 is a front view of a ground fault circuit interrupter according to a second embodiment of the present invention;

FIG. 12 is a back view of a ground fault circuit interrupter according to a second embodiment of the present invention;

FIG. 13 is a left side view of a ground fault circuit interrupter according to a second embodiment of the present invention;

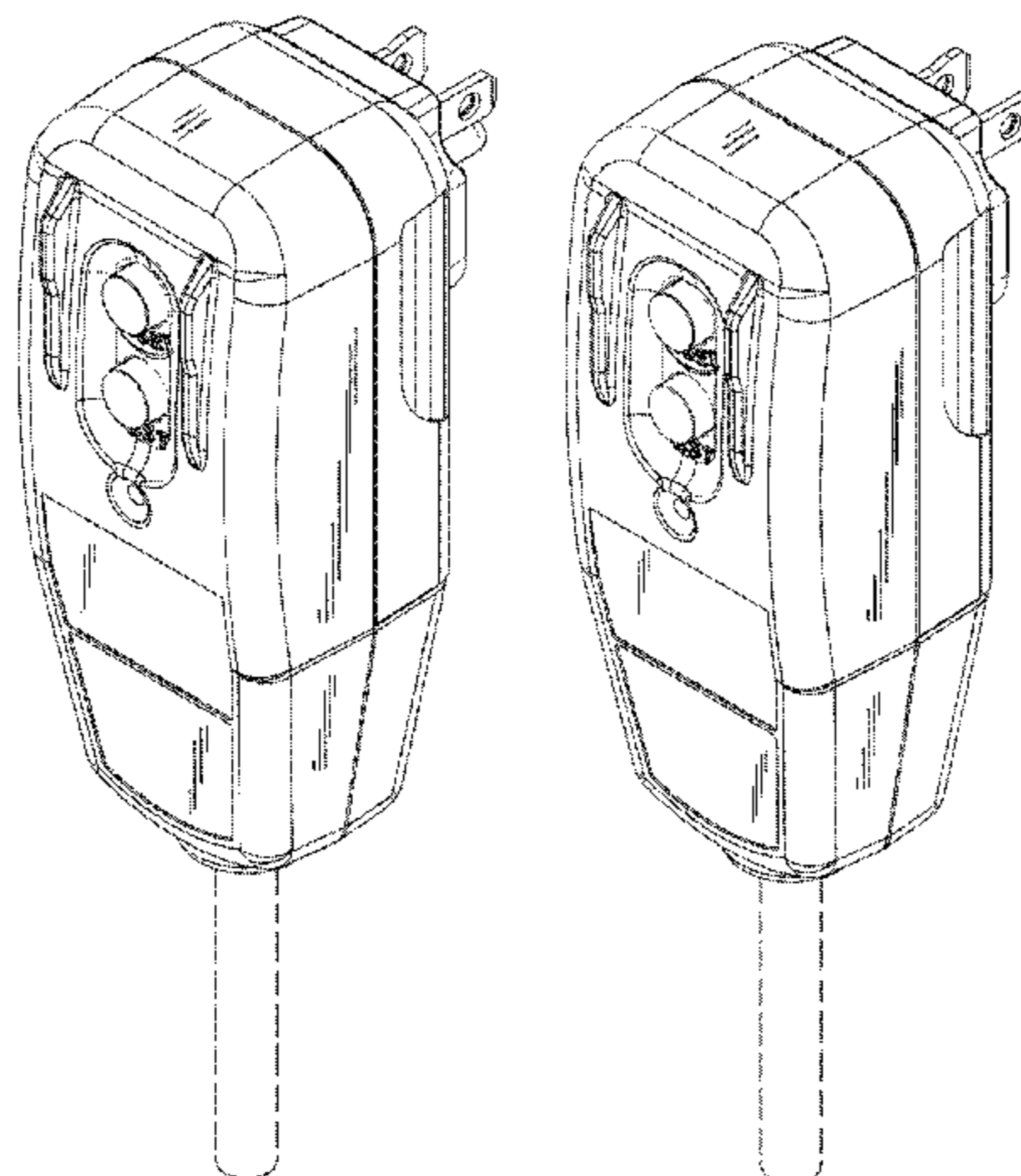
FIG. 14 is a right side view of a ground fault circuit interrupter according to a second embodiment of the present invention;

FIG. 15 is a top view of a ground fault circuit interrupter according to a second embodiment of the present invention; and,

FIG. 16 is a bottom view of a ground fault circuit interrupter according to a second embodiment of the present invention;

In the drawings, the broken lines depict unclaimed subject matter only and form no part of the claimed design.

1 Claim, 16 Drawing Sheets



(56)

References Cited

U.S. PATENT DOCUMENTS

D579,881 S *	11/2008	Aromin	D13/160	D633,869 S *	3/2011	Aromin et al.	D13/138.1
D584,690 S *	1/2009	Hsiung	D13/138.1	D635,937 S *	4/2011	Aromin et al.	D13/160
D594,417 S *	6/2009	Ho'o et al.	D13/138.1	D652,801 S *	1/2012	Zou	D13/139.8
				D653,214 S *	1/2012	Zou	D13/138.2
				2008/0094764 A1 *	4/2008	Zhang et al.	361/42

* cited by examiner

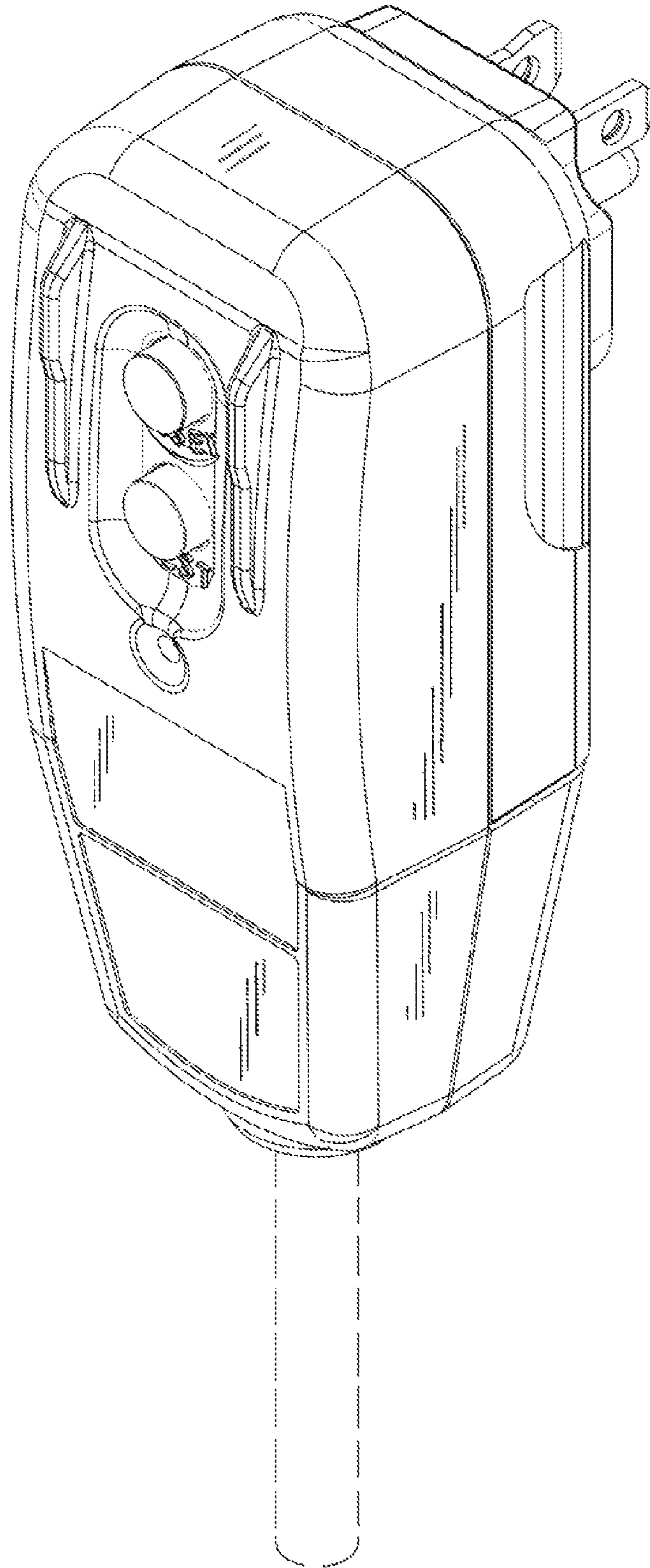


FIG. 1

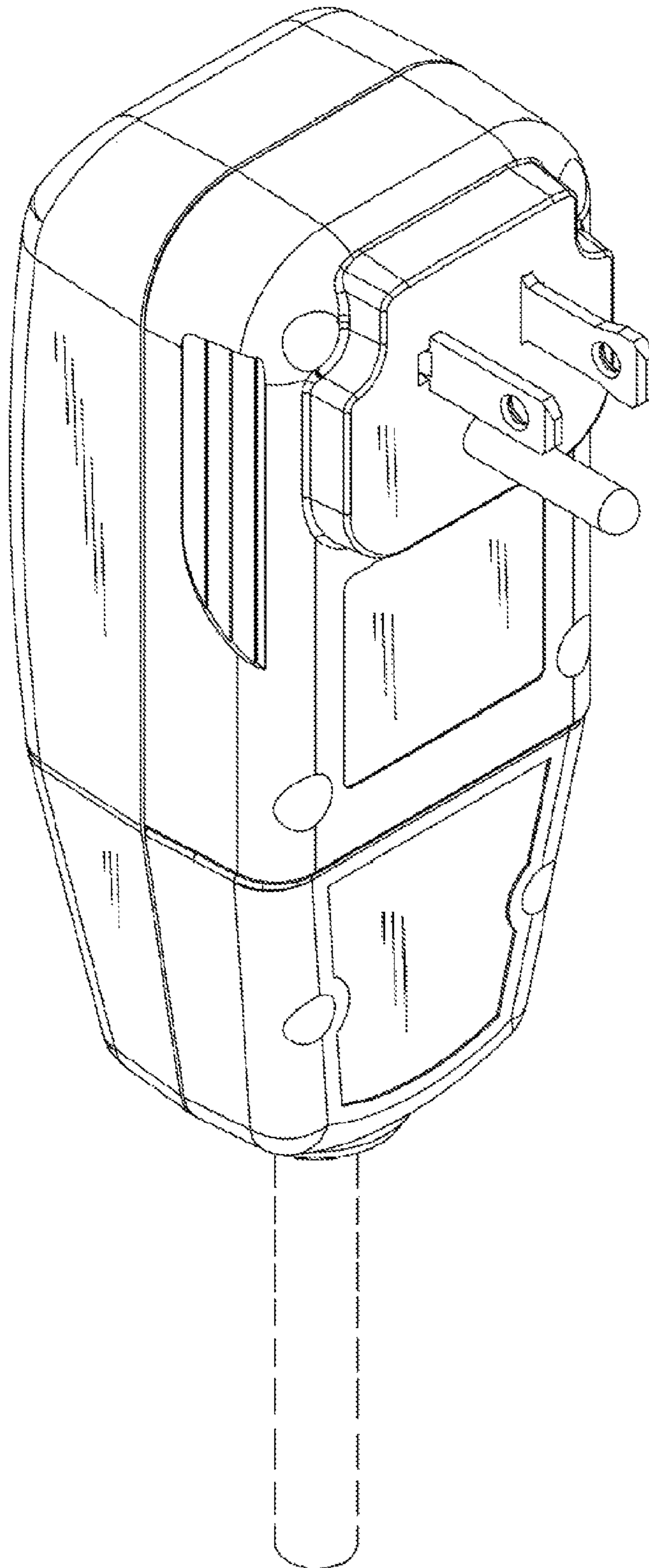


FIG. 2

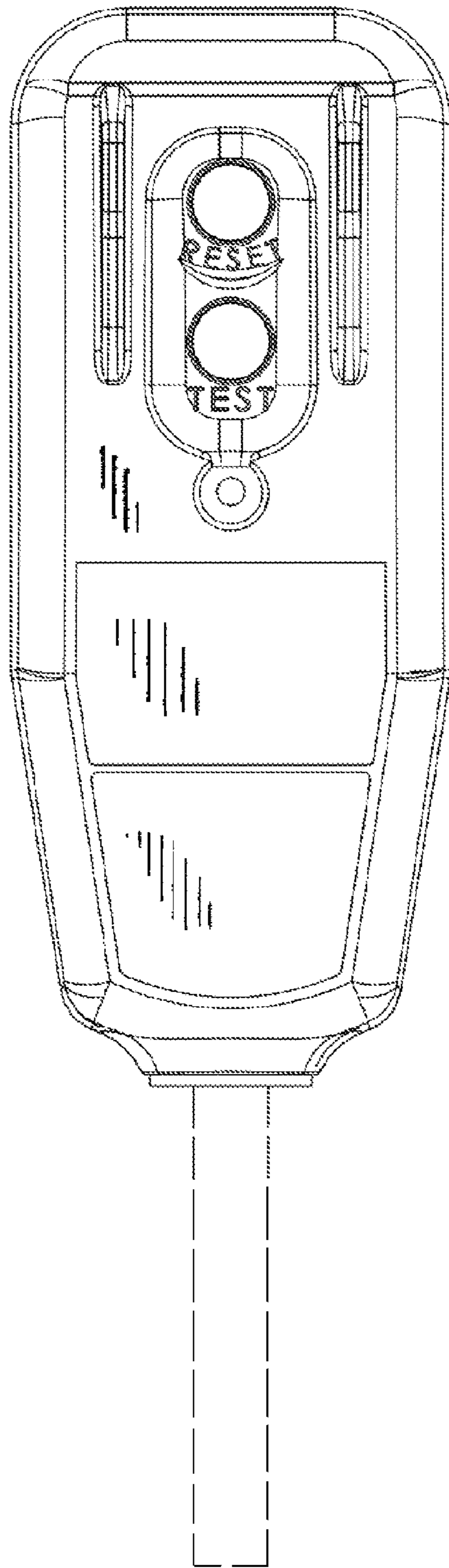


FIG. 3

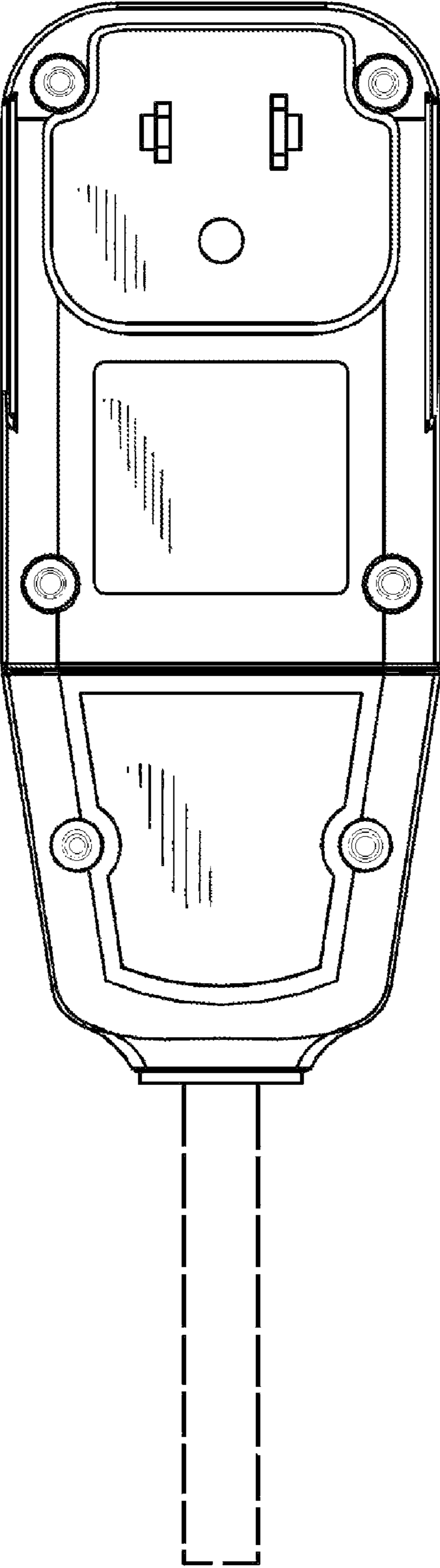


FIG. 4

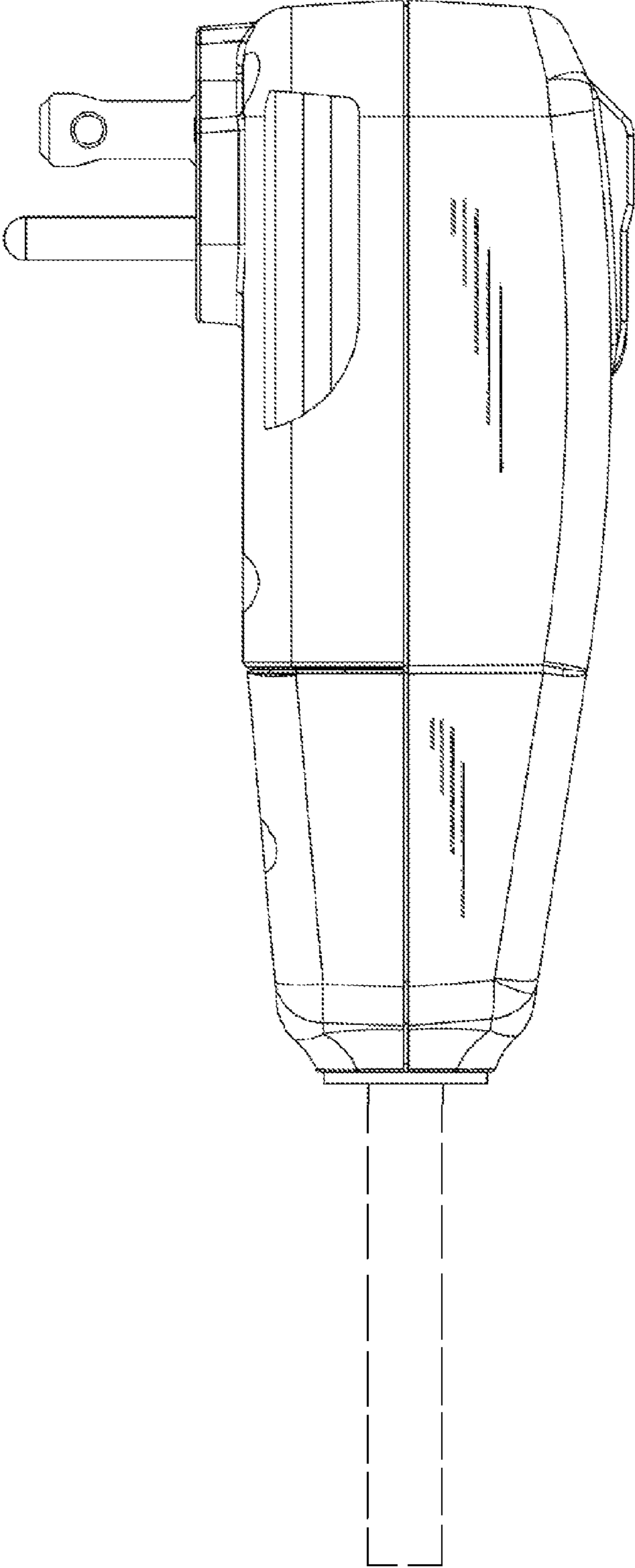


FIG. 5

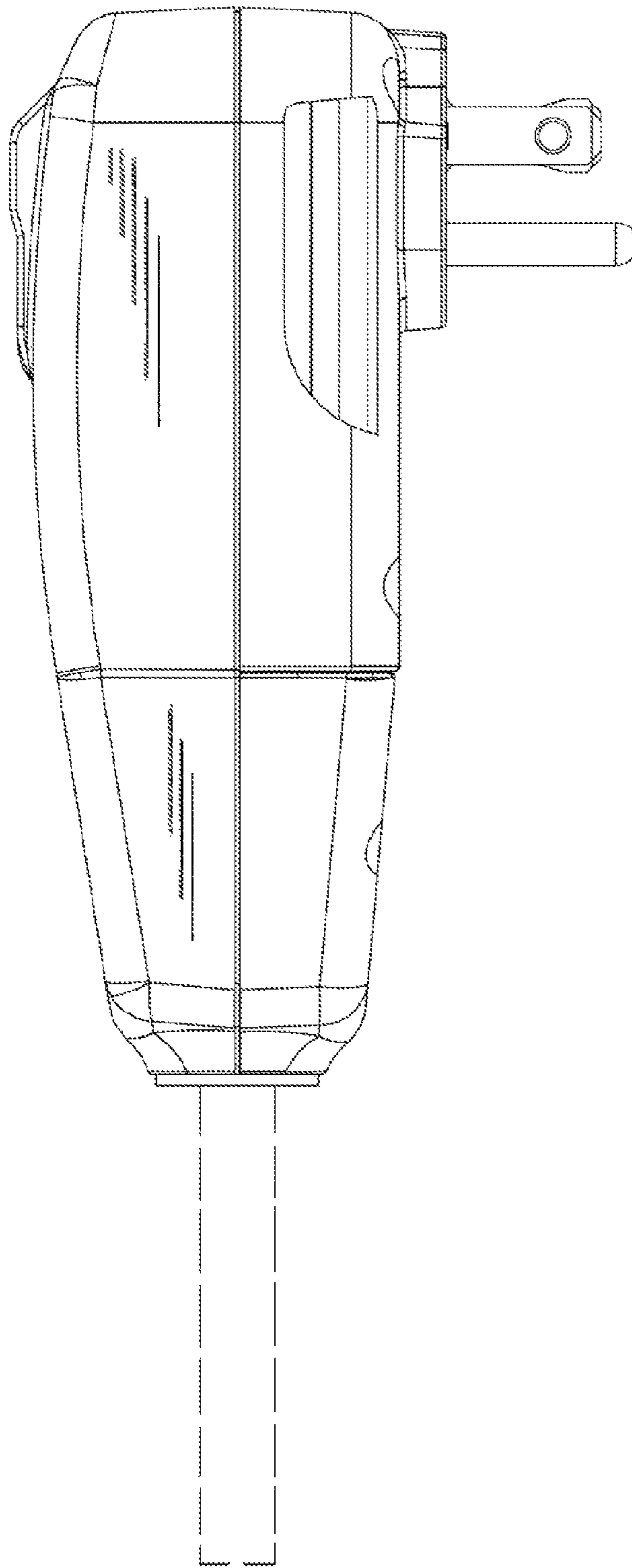


FIG. 6

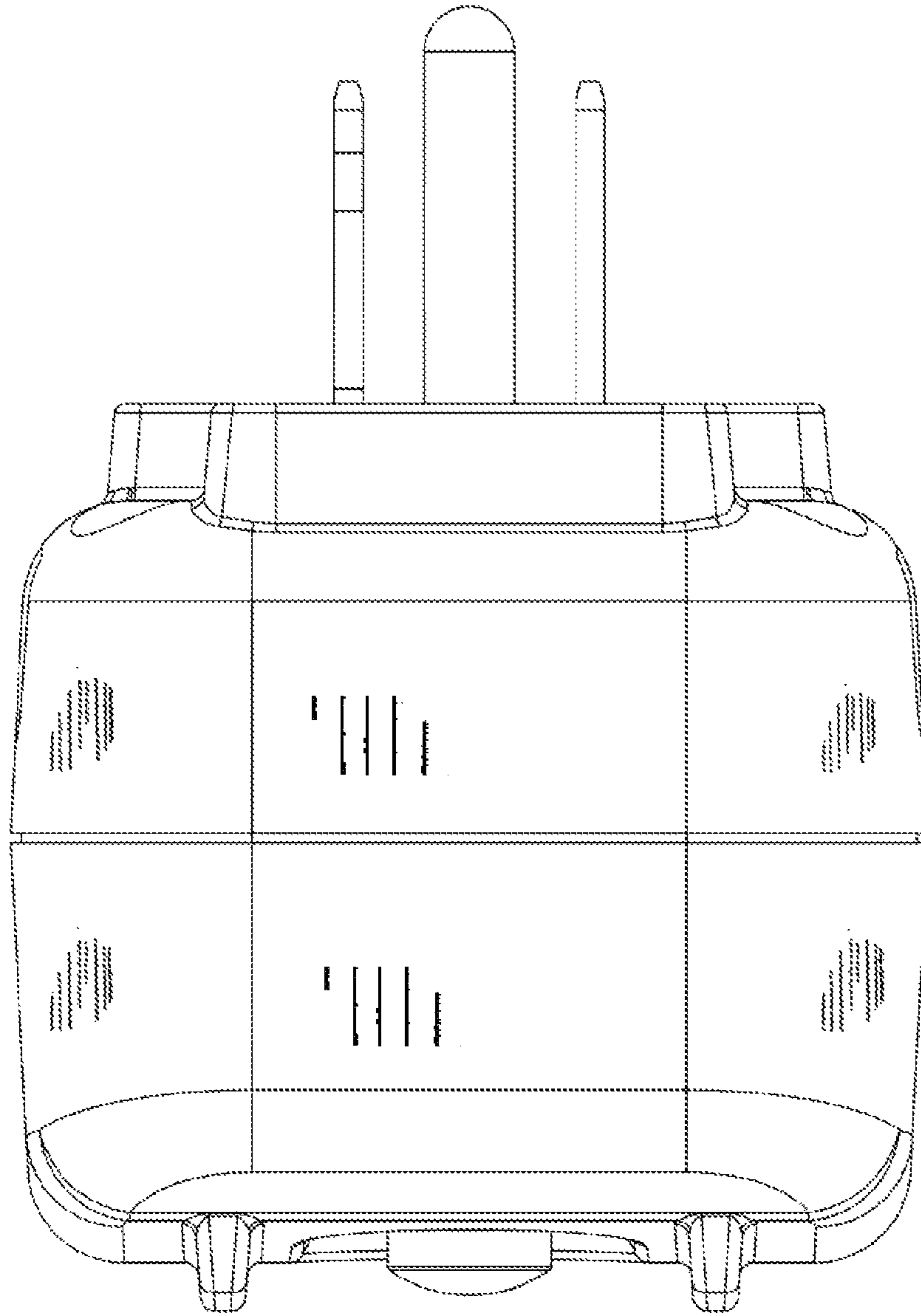


FIG. 7

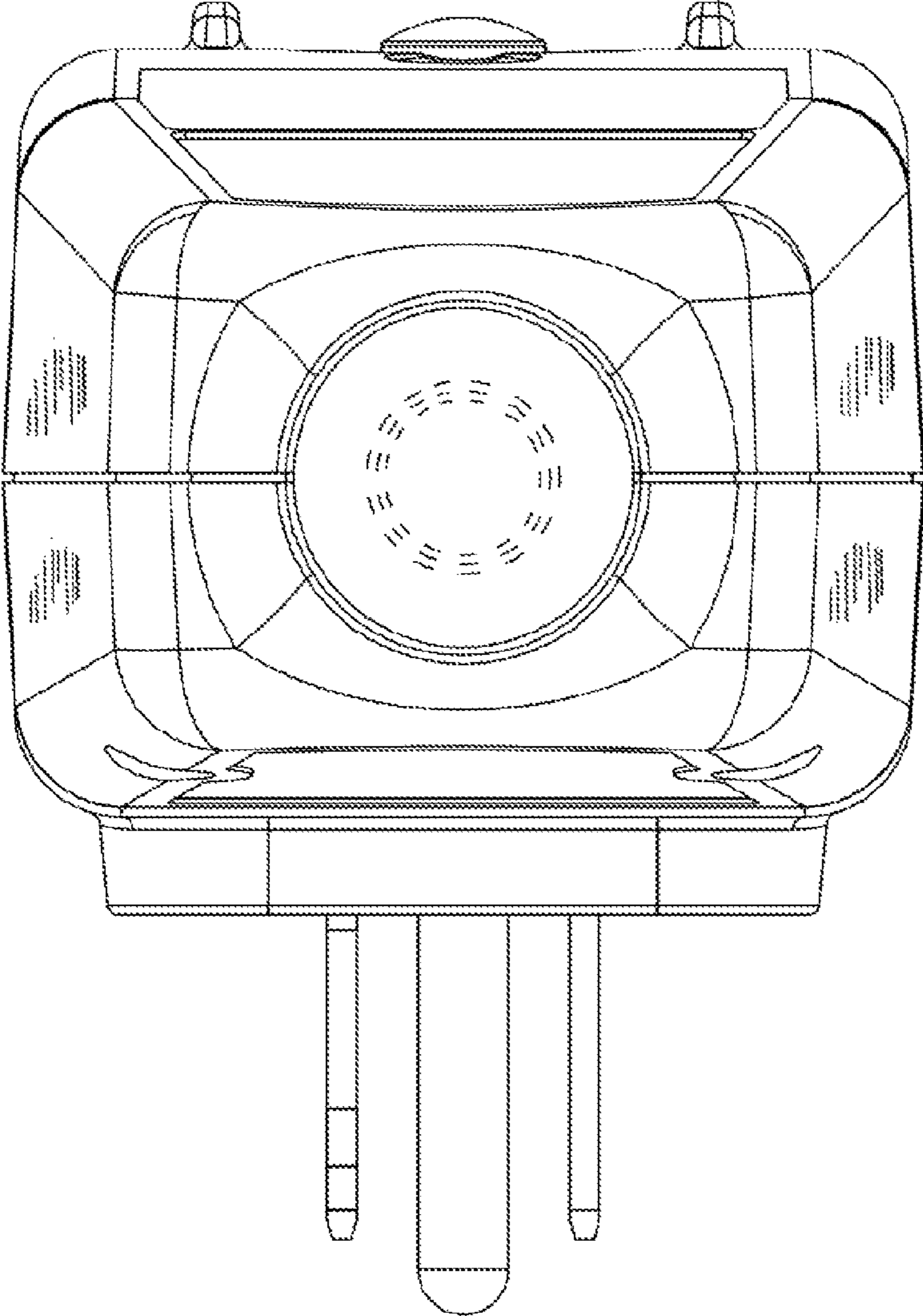


FIG. 8

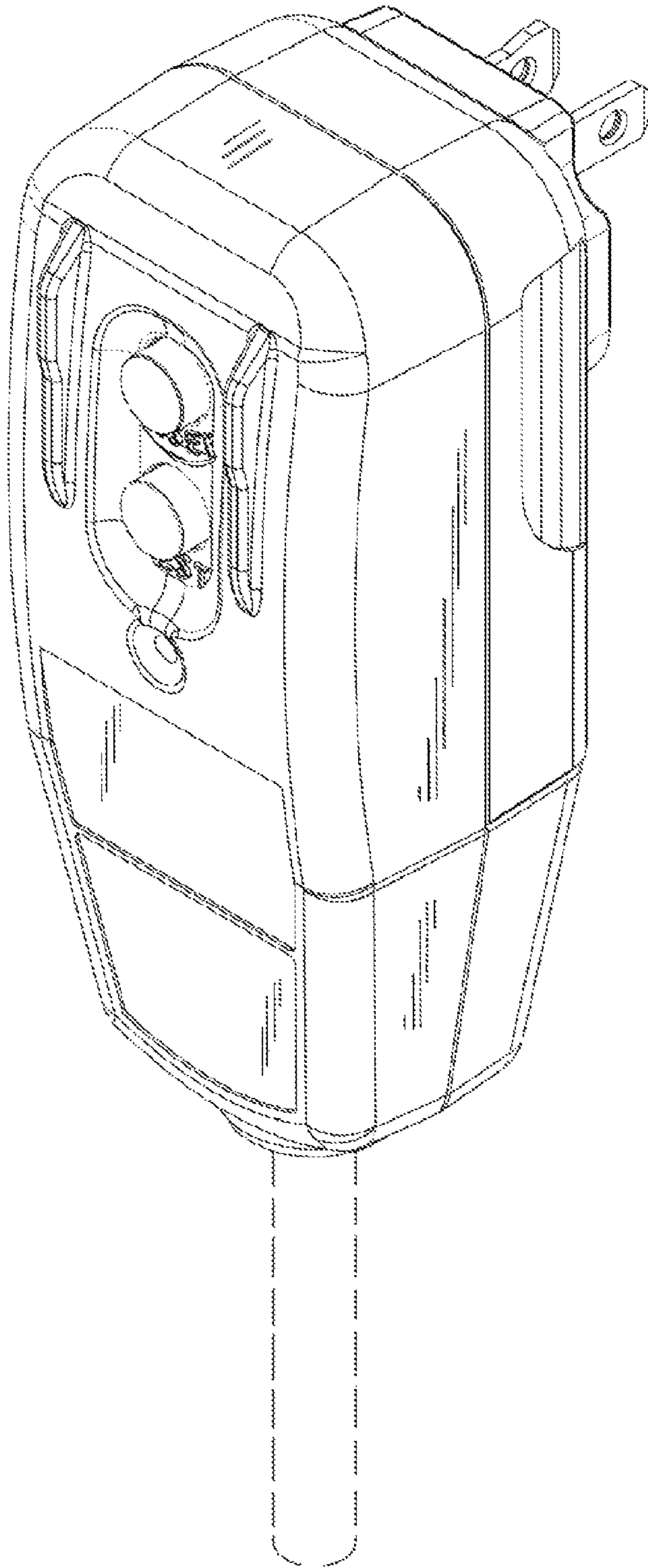


FIG. 9

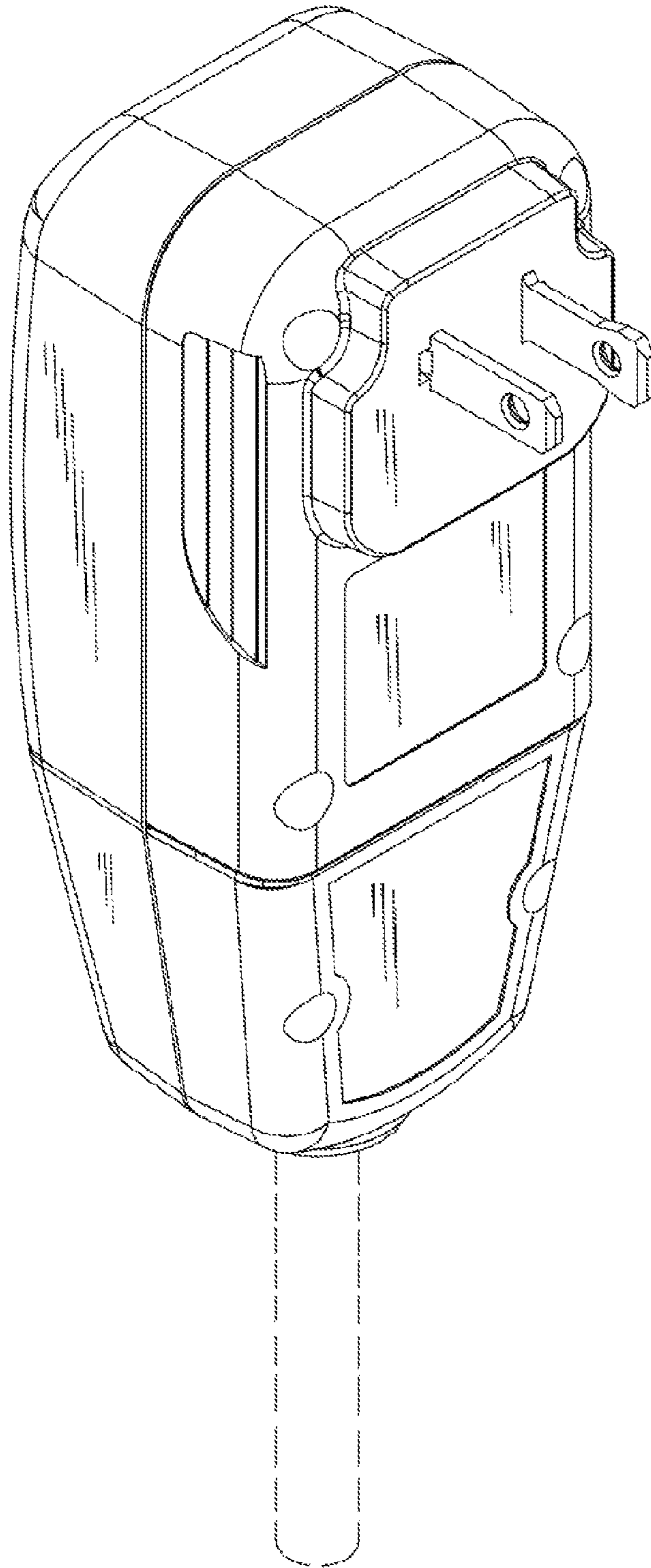


FIG. 10

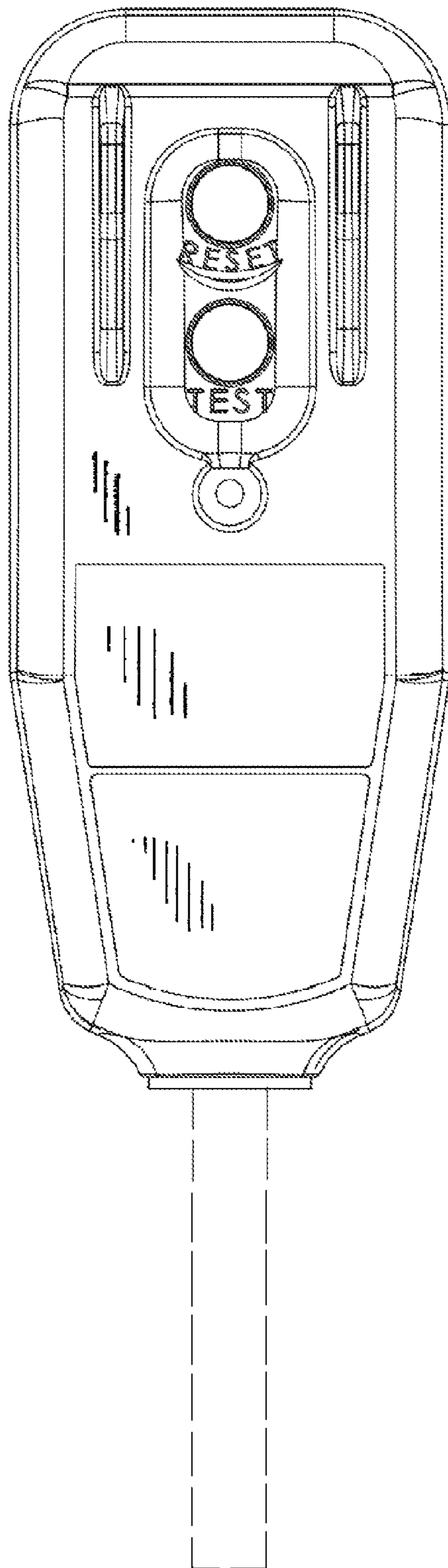


FIG. 11

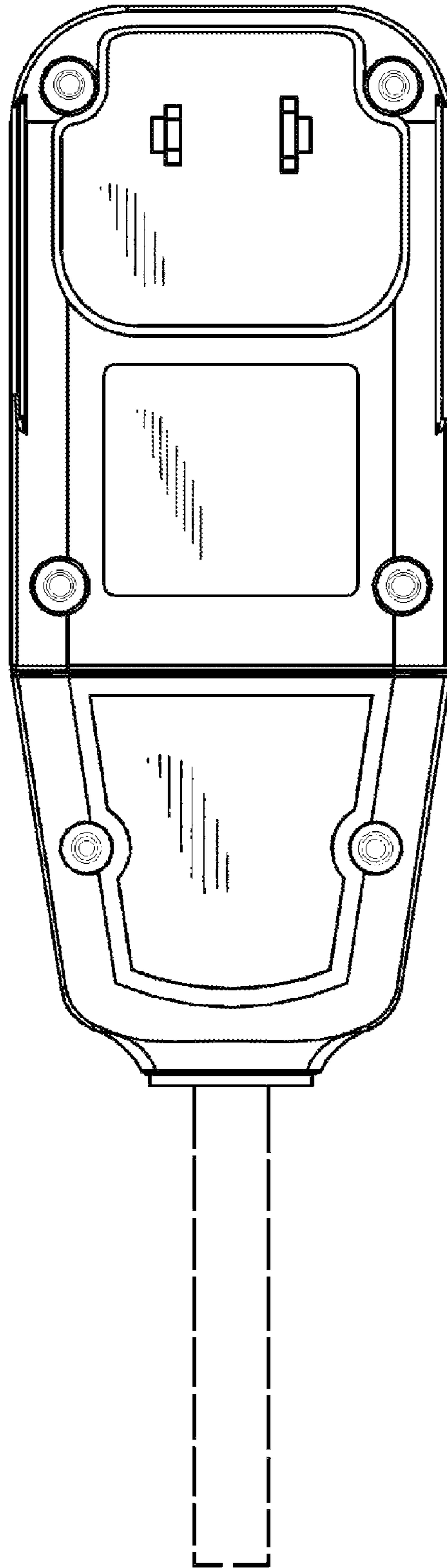


FIG. 12

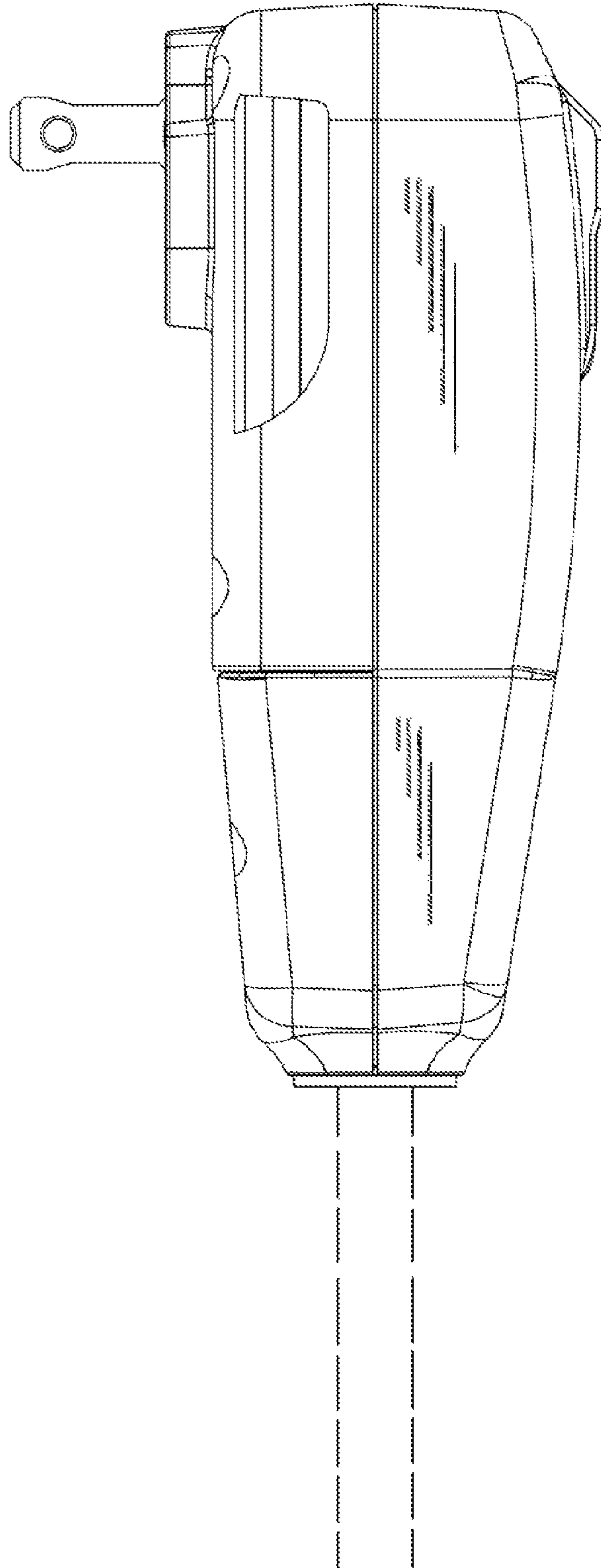


FIG. 13

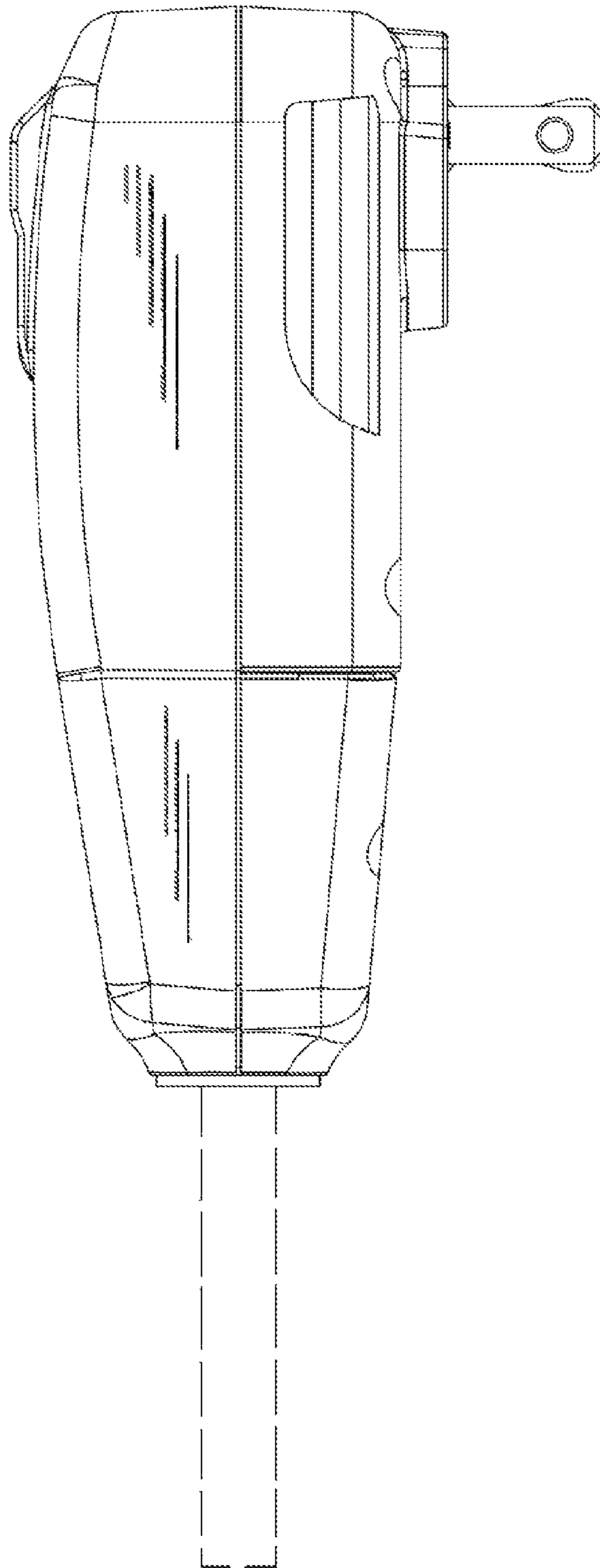


FIG. 14

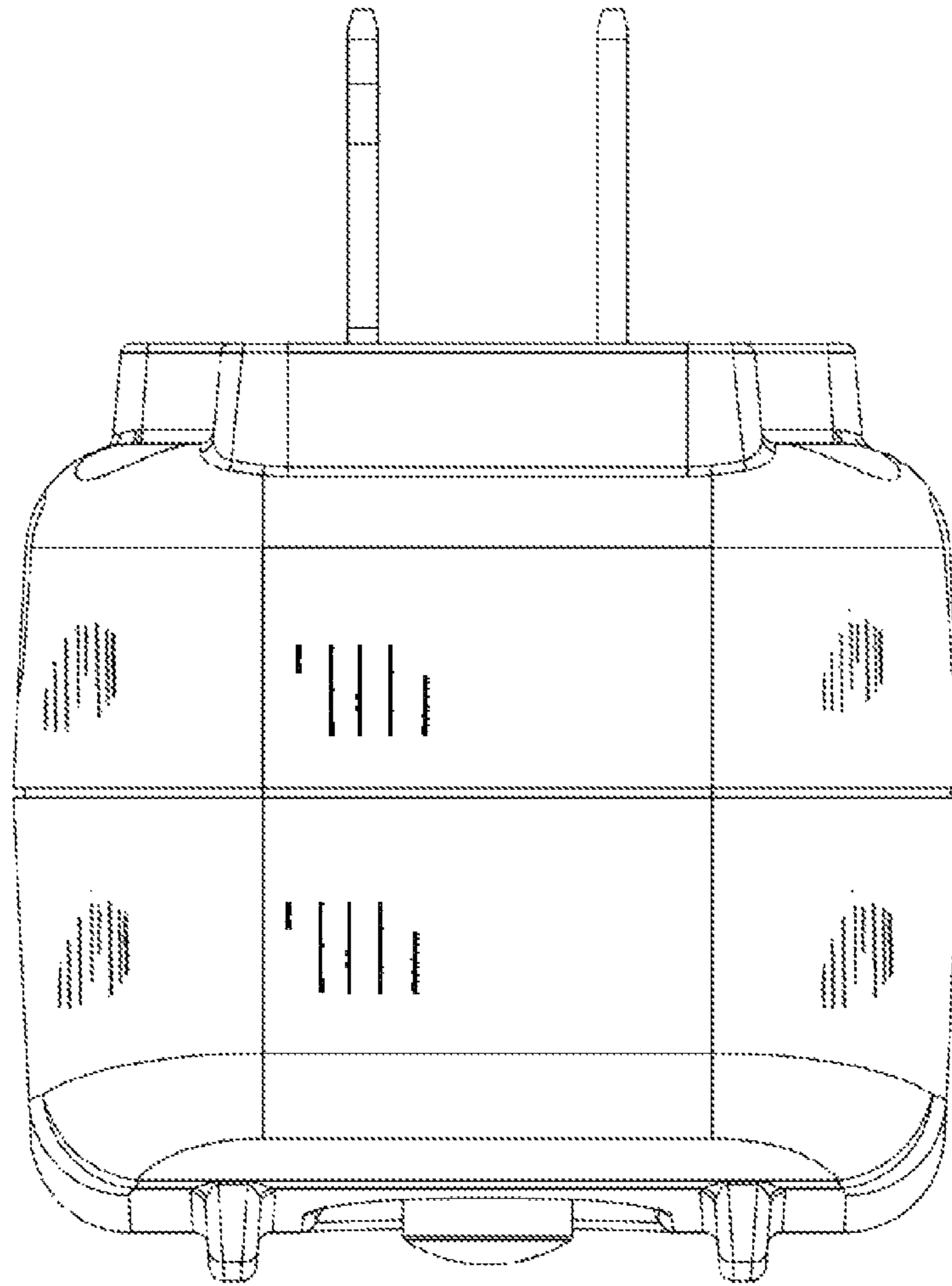


FIG. 15

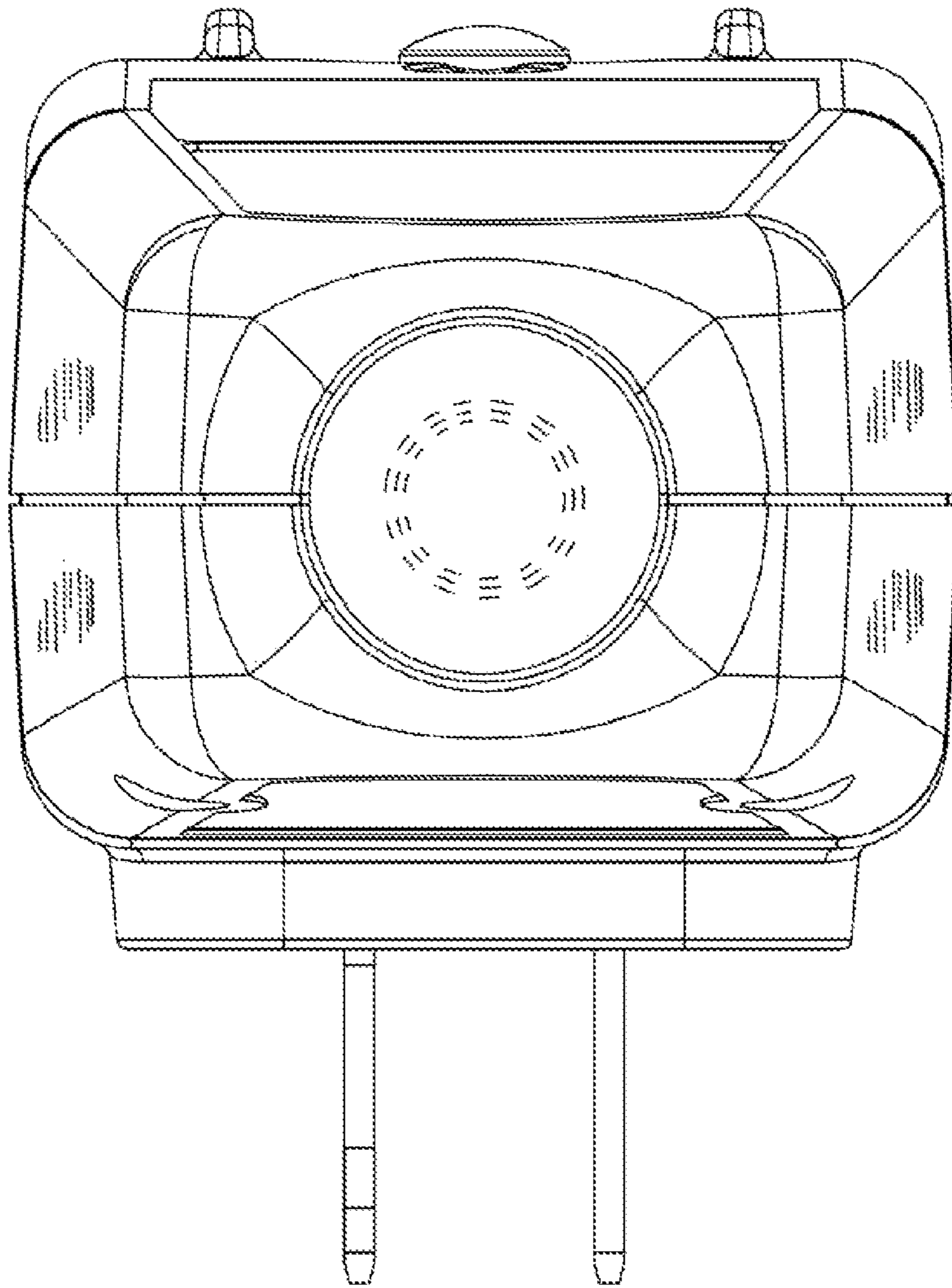


FIG. 16