



US00D742830S

(12) **United States Design Patent**
Croft et al.

(10) **Patent No.:** **US D742,830 S**

(45) **Date of Patent:** **** Nov. 10, 2015**

(54) **WALL PLATE**

(71) Applicant: **Atomi, Inc.**, New York, NY (US)

(72) Inventors: **Robert Croft**, Montclair, NJ (US);
Brian Kang, West New York, NJ (US);
Stephane Krumenacker, New York, NY
(US); **Martin Short**, Jersey City, NJ
(US)

(73) Assignee: **ATOMI, INC.**, New York, NY (US)

(**) Term: **14 Years**

(21) Appl. No.: **29/483,854**

(22) Filed: **Mar. 4, 2014**

(51) **LOC (10) Cl.** **13-03**

(52) **U.S. Cl.**
USPC **D13/137.2**

(58) **Field of Classification Search**
USPC D13/137.1-137.4, 139.1-139.8, 152,
D13/153, 138.1, 138.2, 199, 160, 184, 156,
D13/162, 110; 361/683, 118, 119;
174/53-58, 66, 50.56, 51; 439/620.21,
439/650-655, 535, 105-107, 692; D14/218
See application file for complete search history.

(56) **References Cited**

U.S. PATENT DOCUMENTS

D367,037 S * 2/1996 Fladung et al. D13/137.2
D459,307 S * 6/2002 Nieto
D523,397 S * 6/2006 Maglionico et al. D13/137.2
D561,694 S * 2/2008 Lam
D582,346 S * 12/2008 Zhou D13/137.2
D595,229 S * 6/2009 LaGrotta D13/137.2
D605,961 S * 12/2009 Tsou et al. D10/100

D609,642 S * 2/2010 Gandolfi et al. D13/137.2
D616,870 S * 6/2010 Choo et al. D14/218
D620,815 S * 8/2010 Stekelenburg D10/40
D626,071 S 10/2010 Su et al.
D628,157 S 11/2010 Su et al.
D653,215 S 1/2012 Lam
D688,631 S * 8/2013 Ku et al. D13/156
D691,966 S * 10/2013 Stossell D13/162
D693,769 S 11/2013 Picard et al.
D694,713 S 12/2013 Yeo et al.
D699,183 S * 2/2014 Zaslavsky et al. D13/110
D711,828 S * 8/2014 Mozdzer D13/139.1

OTHER PUBLICATIONS

High Precision CC/CV Primary-Side PWM Power Switch, CR623X-
CR6235/6236/6238, Chip-Rail, Sep. 2009, V1.6, pp. 1-10.

* cited by examiner

Primary Examiner — Holly Baynham

Assistant Examiner — Rhea Shields

(74) *Attorney, Agent, or Firm* — Gordon & Jacobson, P.C.

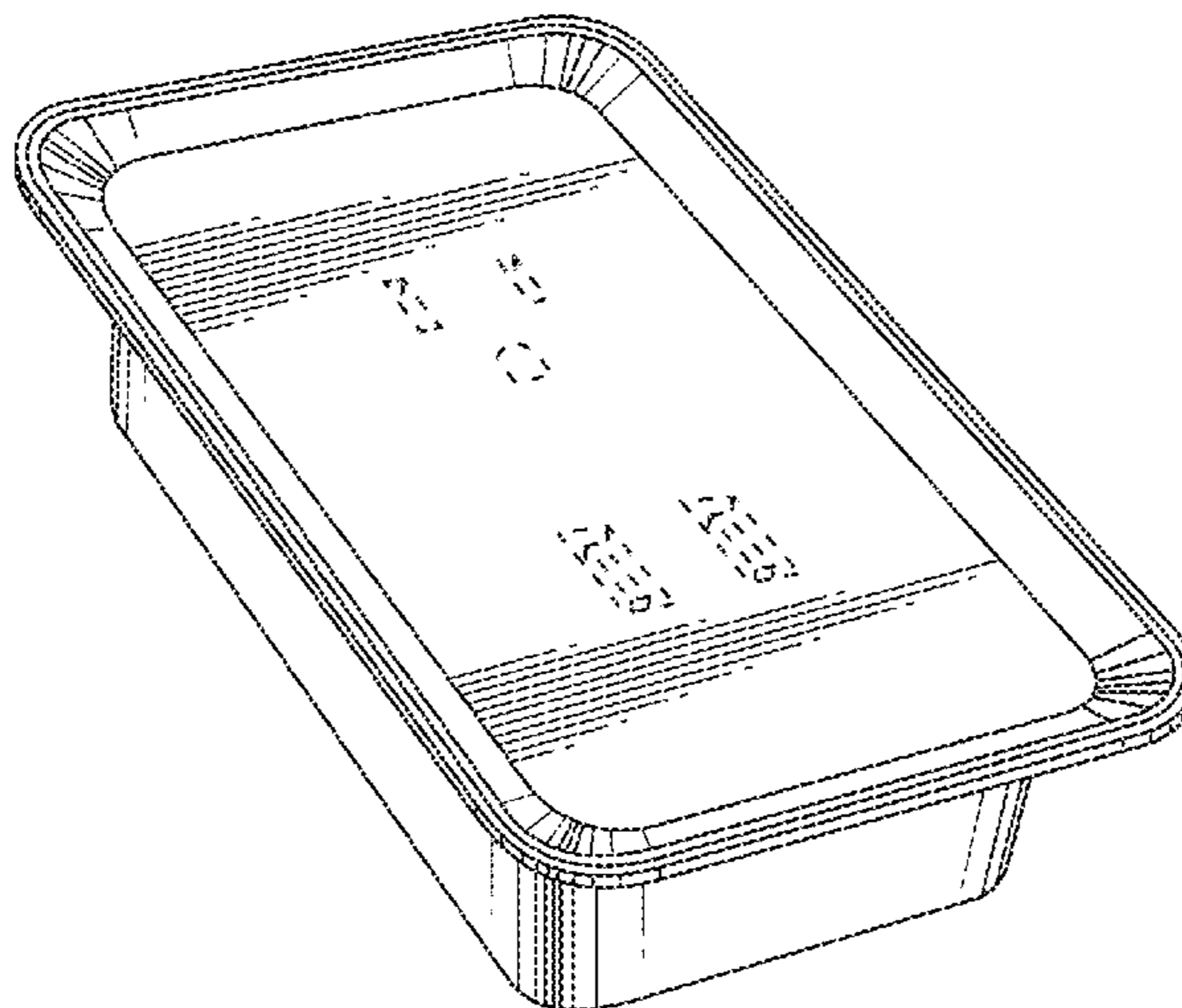
(57) **CLAIM**

The ornamental design for a wall plate, as shown and
described.

DESCRIPTION

FIG. 1 is a perspective view of a wall plate;
FIG. 2 is a front view of the wall plate;
FIG. 3 is a right side view of the wall plate, the left side view
being a mirror image thereof;
FIG. 4 is a top view of the wall plate, the bottom view being
the same; and,
FIG. 5 is a back view of the wall plate.
The broken lines in the Figures depict unclaimed subject
matter only and form no part of the claimed design.

1 Claim, 3 Drawing Sheets



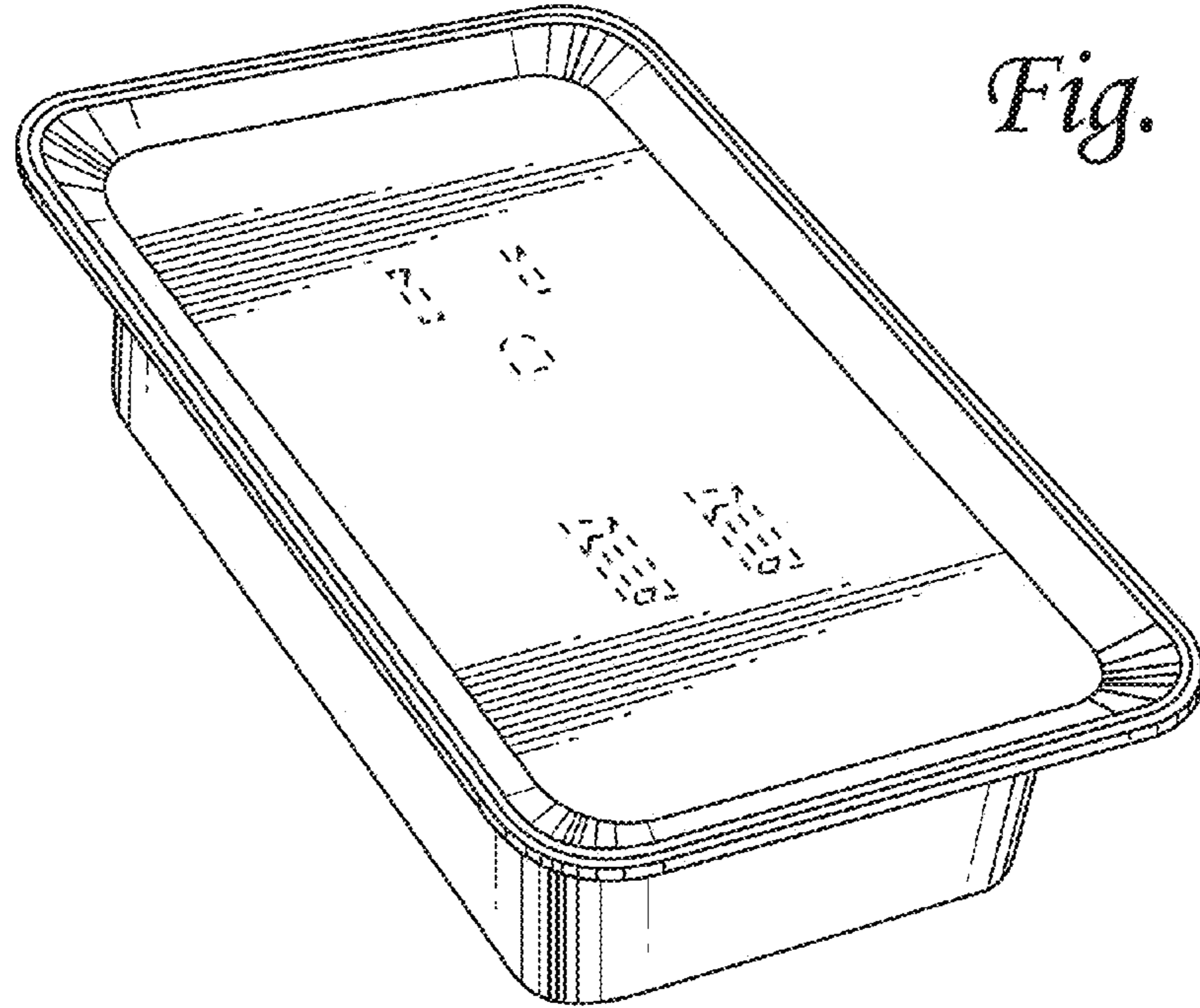


Fig. 1

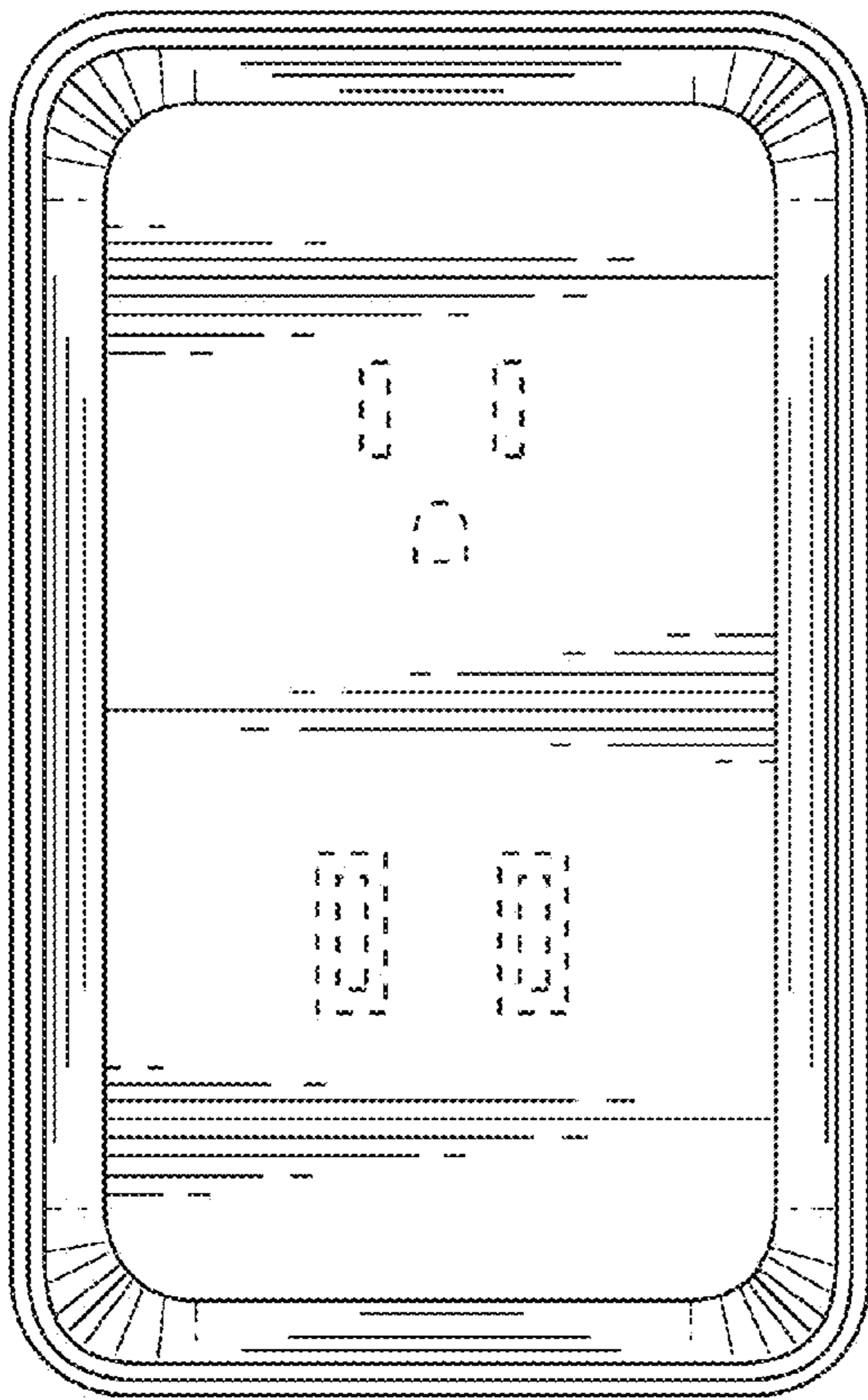


Fig. 2

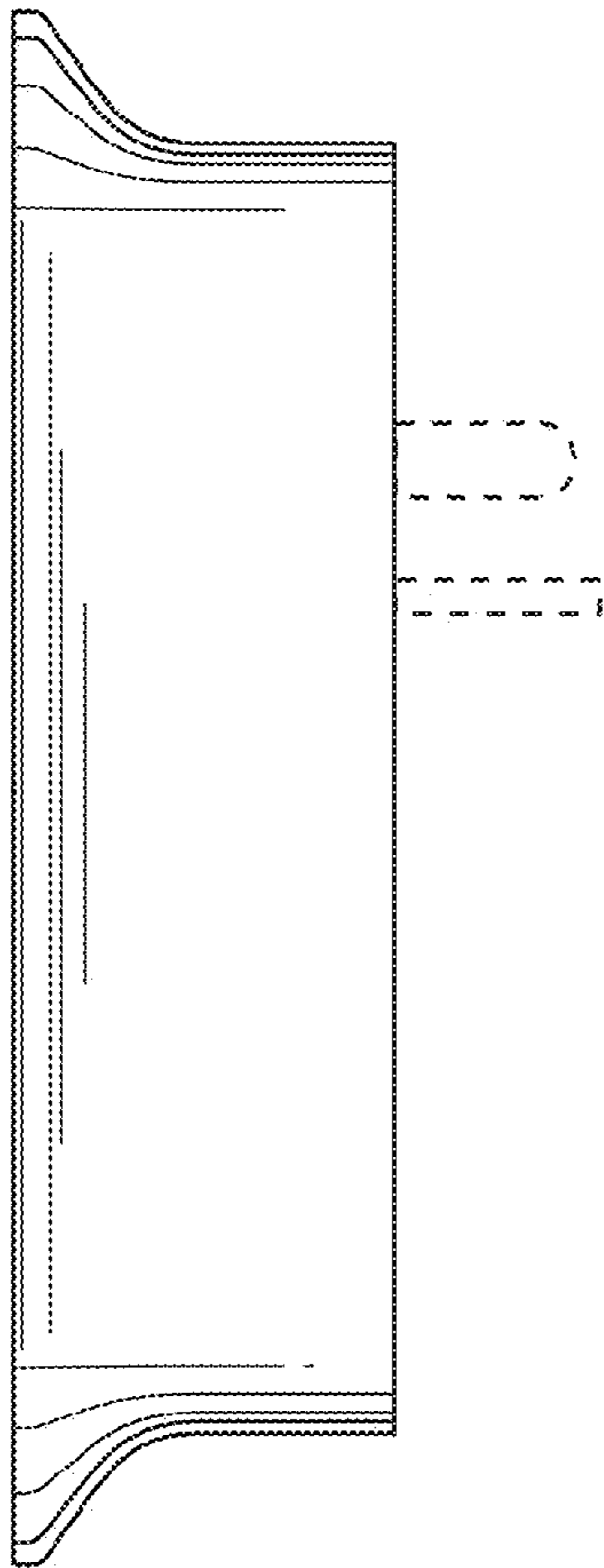


Fig. 3

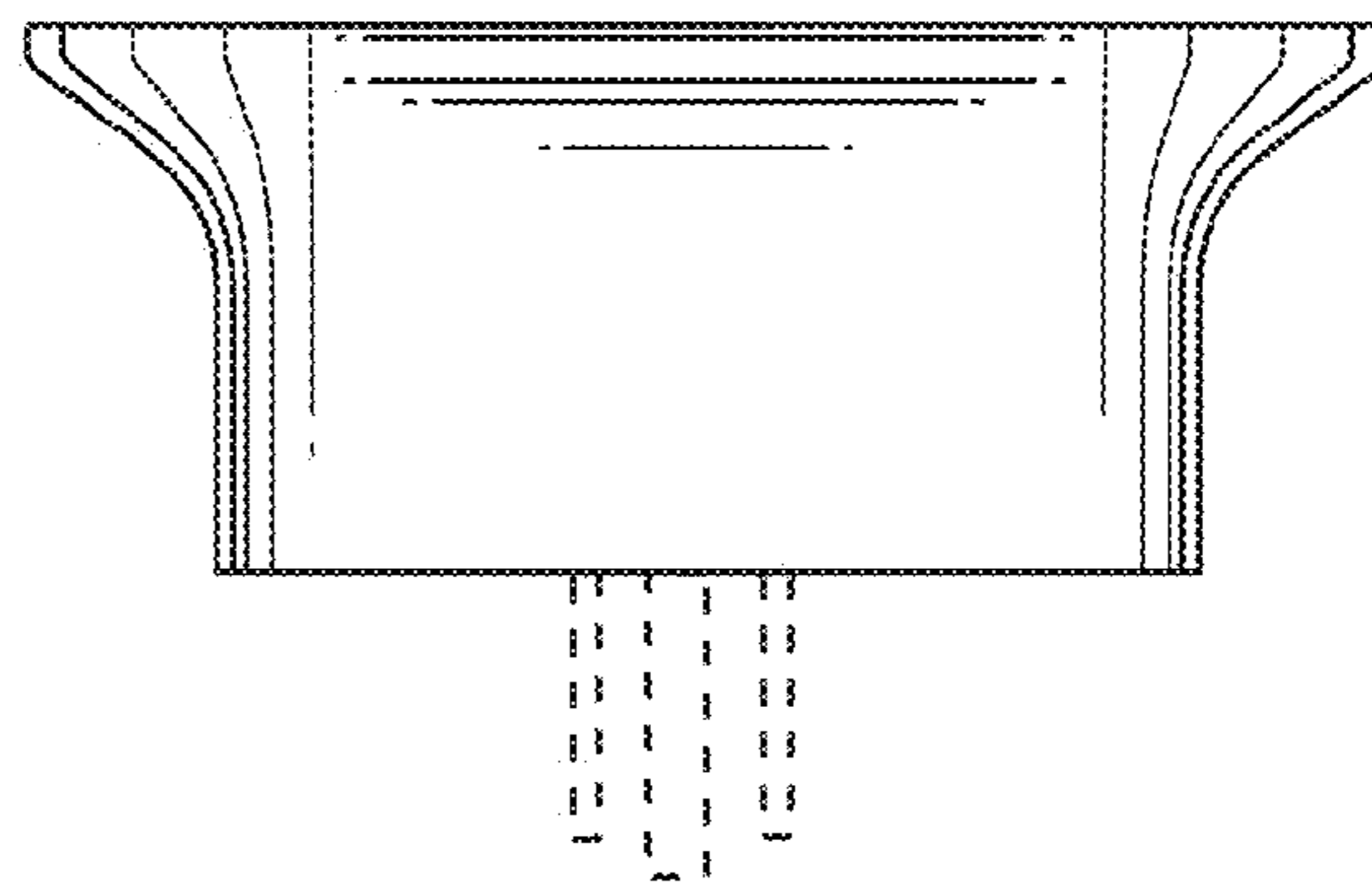


Fig. 4

Fig. 5

