



US00D742829S

(12) **United States Design Patent**
Johansson

(10) **Patent No.:** **US D742,829 S**

(45) **Date of Patent:** **** Nov. 10, 2015**

(54) **INSULATOR WITH SHEDS WHOSE UNDERSIDES ARE PARTLY HORIZONTAL AND PARTLY SLOPING**

| | | | | | | |
|--------------|----|---|--------|------------------|-------|-----------|
| D360,399 | S | * | 7/1995 | Tillery et al. | | D13/132 |
| D392,616 | S | * | 3/1998 | Gagne | | D13/131 |
| 6,031,186 | A | * | 2/2000 | Sakich et al. | | 174/167 |
| D502,659 | S | * | 3/2005 | Chung | | D10/105 |
| 2009/0095506 | A1 | * | 4/2009 | Bernstorf et al. | | 174/140 R |

* cited by examiner

(71) Applicant: **ABB Technology Ltd**, Zurich (CH)

(72) Inventor: **Daniel Johansson**, Grangesberg (SE)

(73) Assignee: **ABB Technology Ltd** (CH)

(**) Term: **14 Years**

(21) Appl. No.: **29/495,362**

(22) Filed: **Jun. 30, 2014**

(30) **Foreign Application Priority Data**

Apr. 1, 2014 (EM) 002437541

(51) **LOC (10) Cl.** **13-03**

(52) **U.S. Cl.**
USPC **D13/132**

(58) **Field of Classification Search**
USPC D13/129-132, 184, 199; D10/105;
D8/364; 361/126; 29/825; 338/21;
174/137 R

CPC H01B 17/00; H01B 17/14; H01B 17/145;
H01B 3/00; H01B 17/06; H01R 43/00;
H01R 4/70; H02H 1/04

See application file for complete search history.

(56) **References Cited**

U.S. PATENT DOCUMENTS

| | | | | | | |
|-----------|---|---|---------|----------|-------|-----------|
| D86,455 | S | * | 3/1932 | Heinrich | | D13/199 |
| D201,133 | S | * | 5/1965 | Vose | | D13/131 |
| D202,785 | S | * | 11/1965 | Vose | | D13/131 |
| 3,328,515 | A | * | 6/1967 | Vose | | 174/140 S |
| D247,963 | S | * | 5/1978 | Lewis | | D13/131 |

Primary Examiner — Thomas Johannes

Assistant Examiner — Shawn T Gingrich

(74) *Attorney, Agent, or Firm* — Whitmyer IP Group LLC

(57) **CLAIM**

The ornamental design for an insulator with sheds whose undersides are partly horizontal and partly sloping, as shown and described.

DESCRIPTION

FIG. 1 is a top right side isometric view of an insulator with sheds whose undersides are partly horizontal and partly sloping in accordance with the new design;

FIG. 2 is a bottom left side isometric view thereof;

FIG. 3 is an enlarged top plan view thereof;

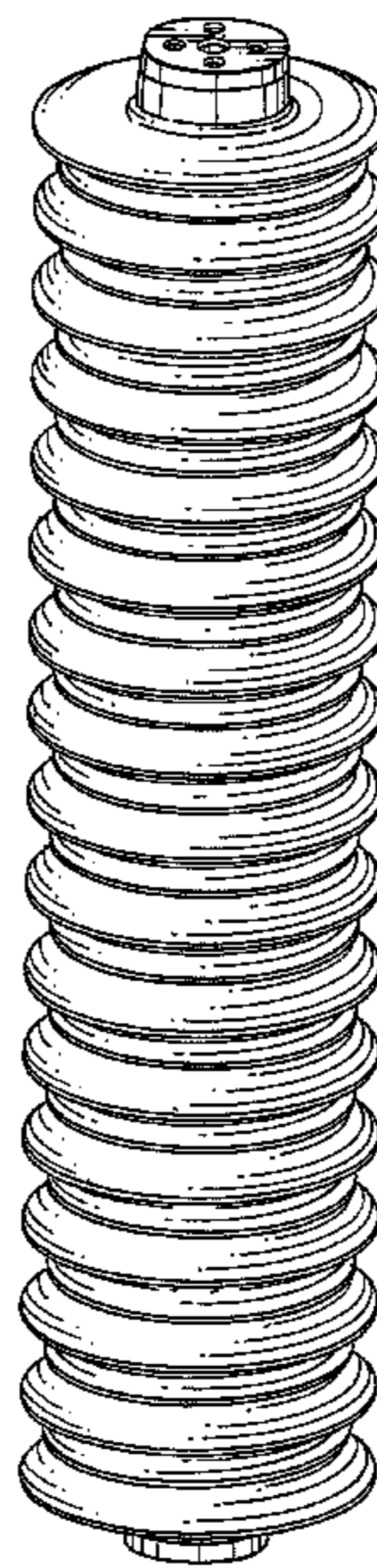
FIG. 4 is a front elevational view thereof, the rear elevational view being a mirror image thereof;

FIG. 5 is an enlarged bottom plan view thereof; and,

FIG. 6 is an enlarged partial top right side isometric view thereof.

The dash dash broken line portion of the figure drawings is included to show unclaimed subject matter only and forms no part of the claimed design. The dash dash broken line in FIGS. 3 and 5, specifically the circular portions, act as a boundary and form no part of the claimed design. The dot dot dash broken line in FIG. 6 acts as a boundary/partition for an enlarged image of a portion of the article and, itself, forms no part of the claimed design.

1 Claim, 6 Drawing Sheets



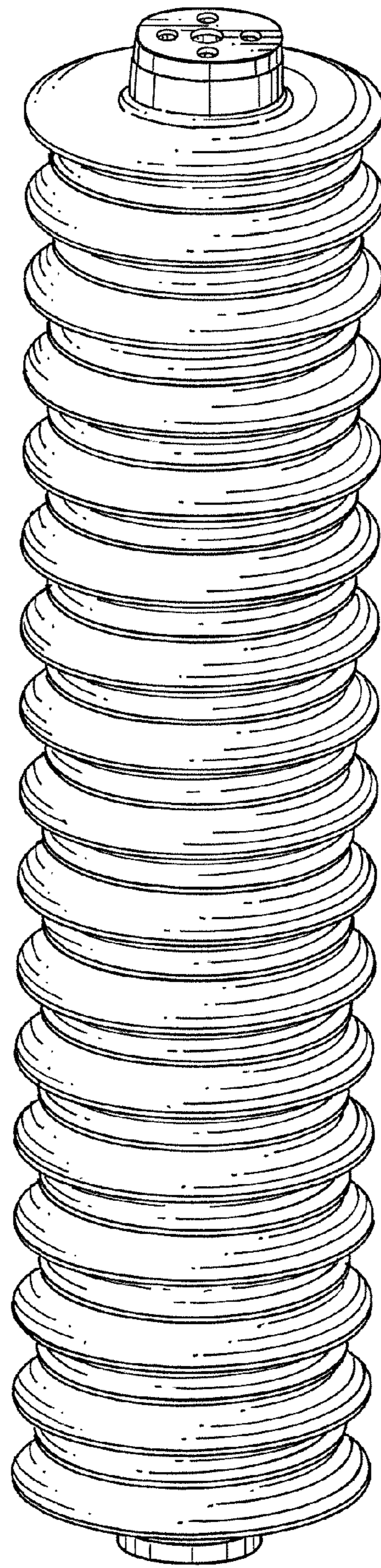


FIG. 1

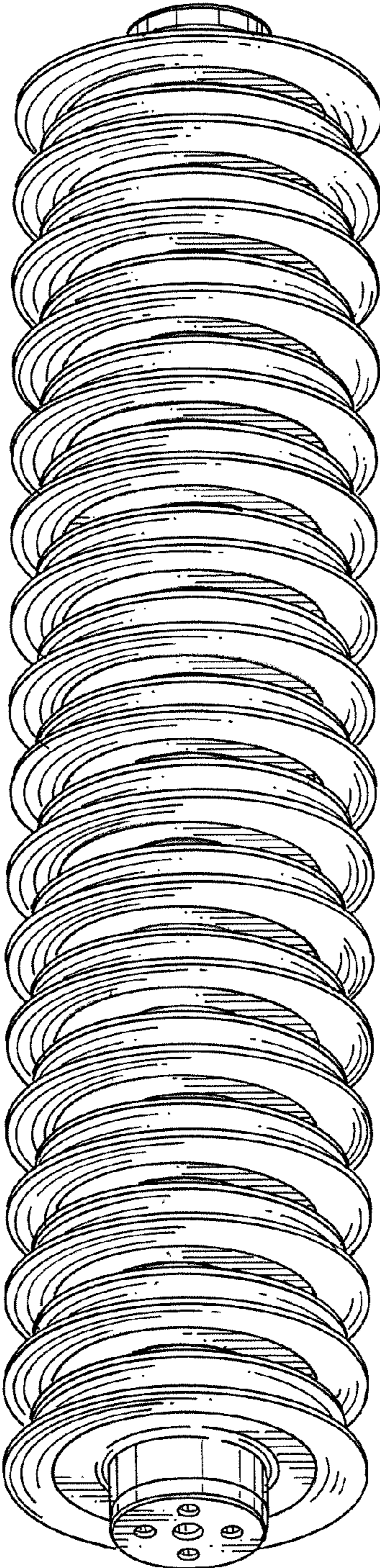


FIG. 2

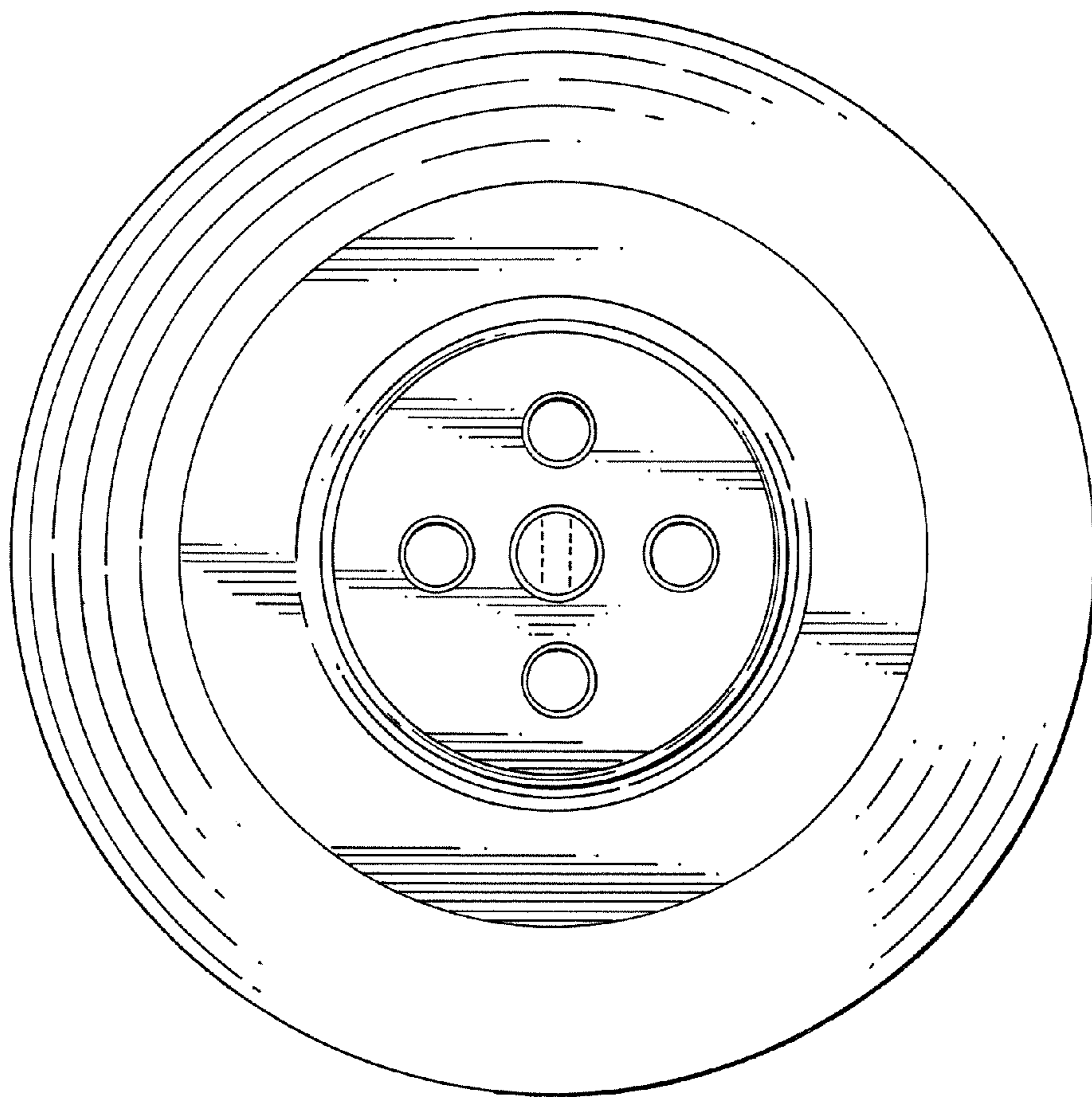


FIG. 3

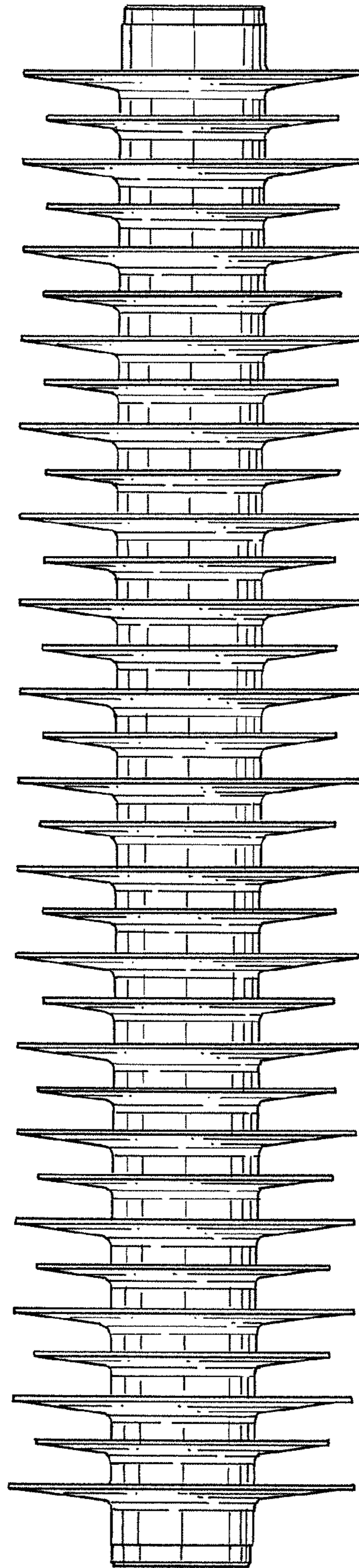


FIG. 4

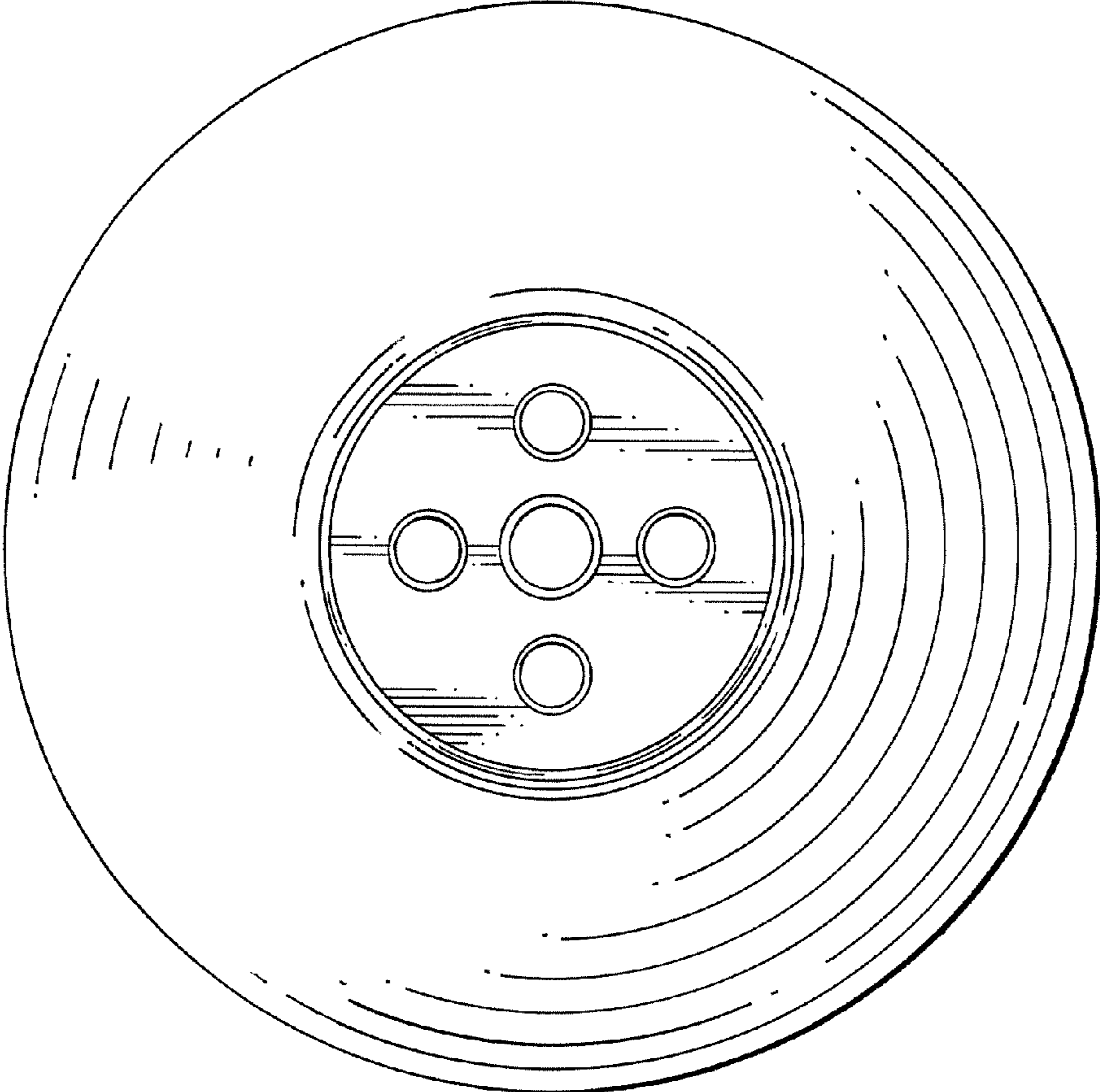


FIG. 5

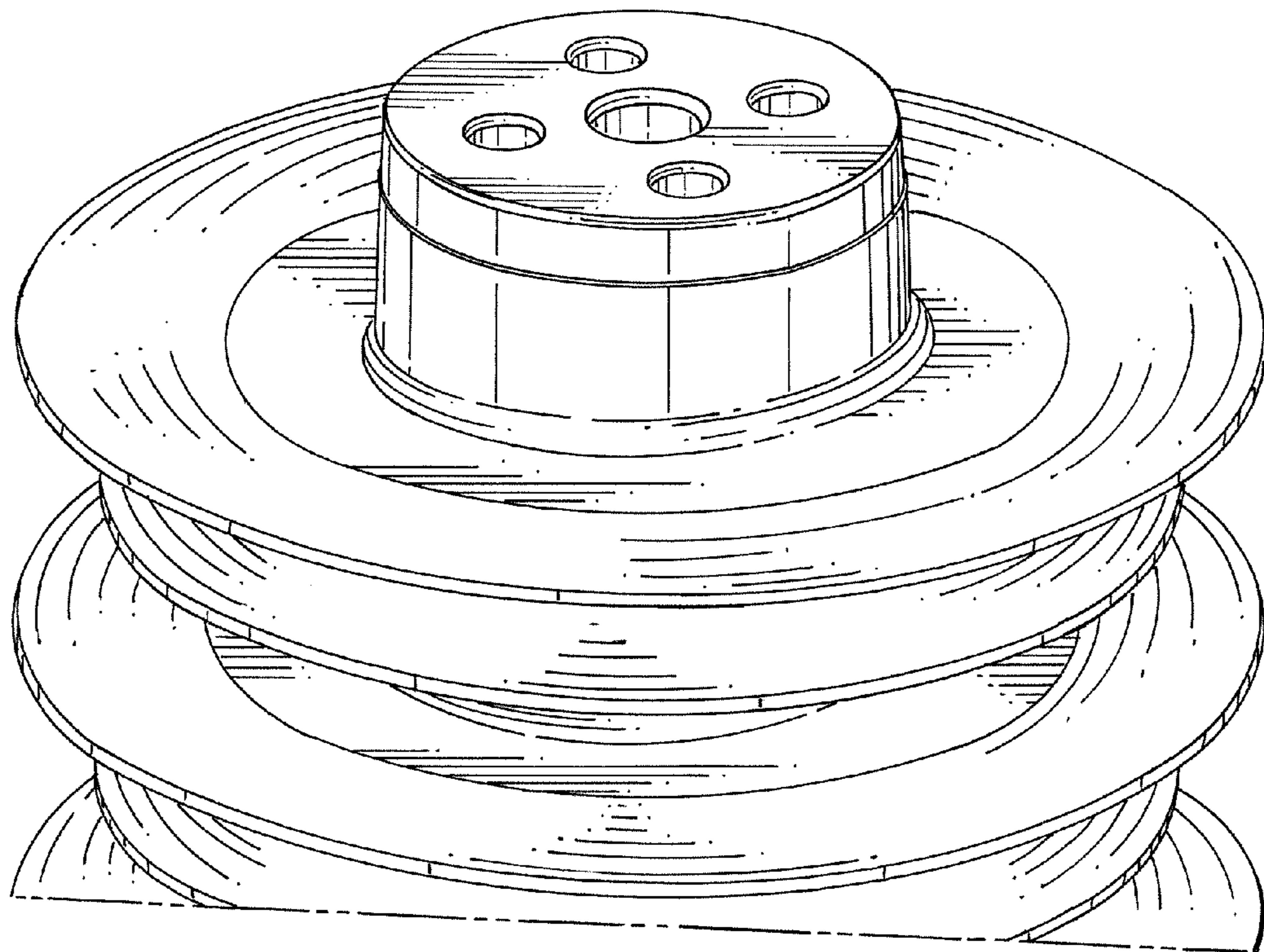


FIG. 6