



US00D742827S

(12) **United States Design Patent**
Lee

(10) **Patent No.:** **US D742,827 S**
(45) **Date of Patent:** **** Nov. 10, 2015**

(54) **CASE OF CONNECTOR ADAPTER**

(71) Applicant: **Rich Electric Wire and Cable Co. Ltd.,**
Yunlin County (TW)

(72) Inventor: **Chang-Chi Lee, Yunlin County (TW)**

(73) Assignee: **RICH ELECTRIC WIRE AND**
CABLE CO., LTD., Yunlin County
(TW)

(**) Term: **14 Years**

(21) Appl. No.: **29/495,892**

(22) Filed: **Jul. 7, 2014**

(51) **LOC (10) Cl.** **13-02**

(52) **U.S. Cl.**
USPC **D13/118**

(58) **Field of Classification Search**
USPC D13/101, 102, 103, 107, 108, 110, 118,
D13/184, 199; D14/217, 238.1, 432, 433,
D14/435.1, 483; 307/149, 150, 151;
363/140, 142, 143, 146; 439/171, 172,
439/173, 218, 518, 650-652, 692, 956
CPC H02G 3/08; H02G 3/081; H02G 3/086;
H02G 3/14

See application file for complete search history.

(56) **References Cited**

U.S. PATENT DOCUMENTS

D424,528	S	*	5/2000	Dernehl	D13/184
6,111,772	A	*	8/2000	Lee et al.	363/146
D452,148	S	*	12/2001	Friedberg	D9/423
D469,402	S	*	1/2003	Bukiri	D13/137.1
D503,679	S	*	4/2005	Andre et al.	D13/110
D696,627	S	*	12/2013	Tsoi	D13/110
2003/0085686	A1	*	5/2003	Haga et al.	320/112

* cited by examiner

Primary Examiner — Derrick Holland

(74) *Attorney, Agent, or Firm* — Ming Chow; Sinorica, LLC

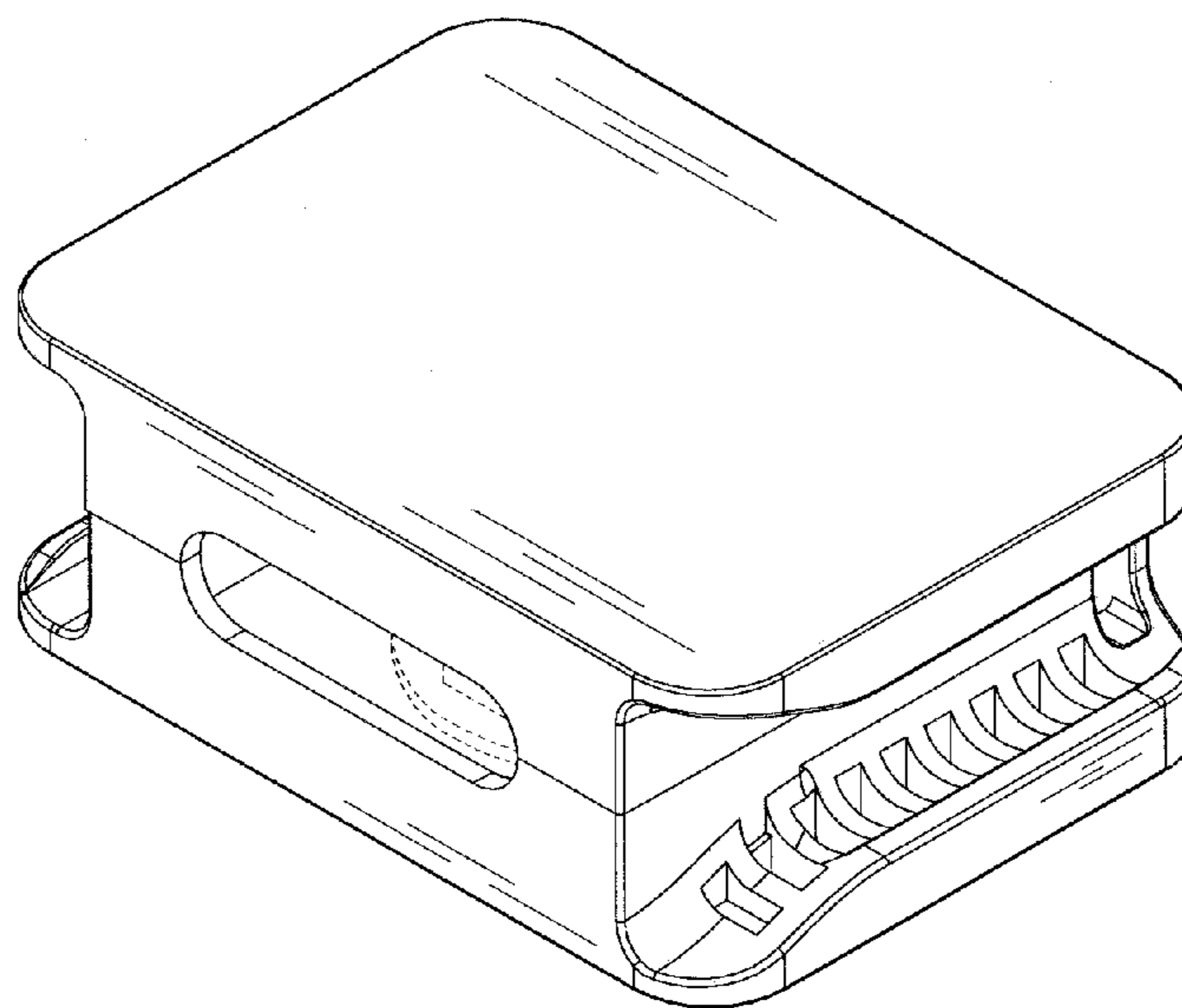
(57) **CLAIM**

The ornamental design for a case of connector adapter, as shown and described.

DESCRIPTION

FIG. 1 is a perspective view of a case of connector adapter showing my new design;
FIG. 2 is a front view thereof;
FIG. 3 is a rear view thereof;
FIG. 4 is a top view thereof;
FIG. 5 is a left side view thereof;
FIG. 6 is a right side view thereof;
FIG. 7 is a second perspective view thereof, shown in environmental use; and,
FIG. 8 is a third perspective view thereof, shown in environmental use.
The broken lines shown represent unclaimed subject matter and form no part of the claimed design.

1 Claim, 6 Drawing Sheets



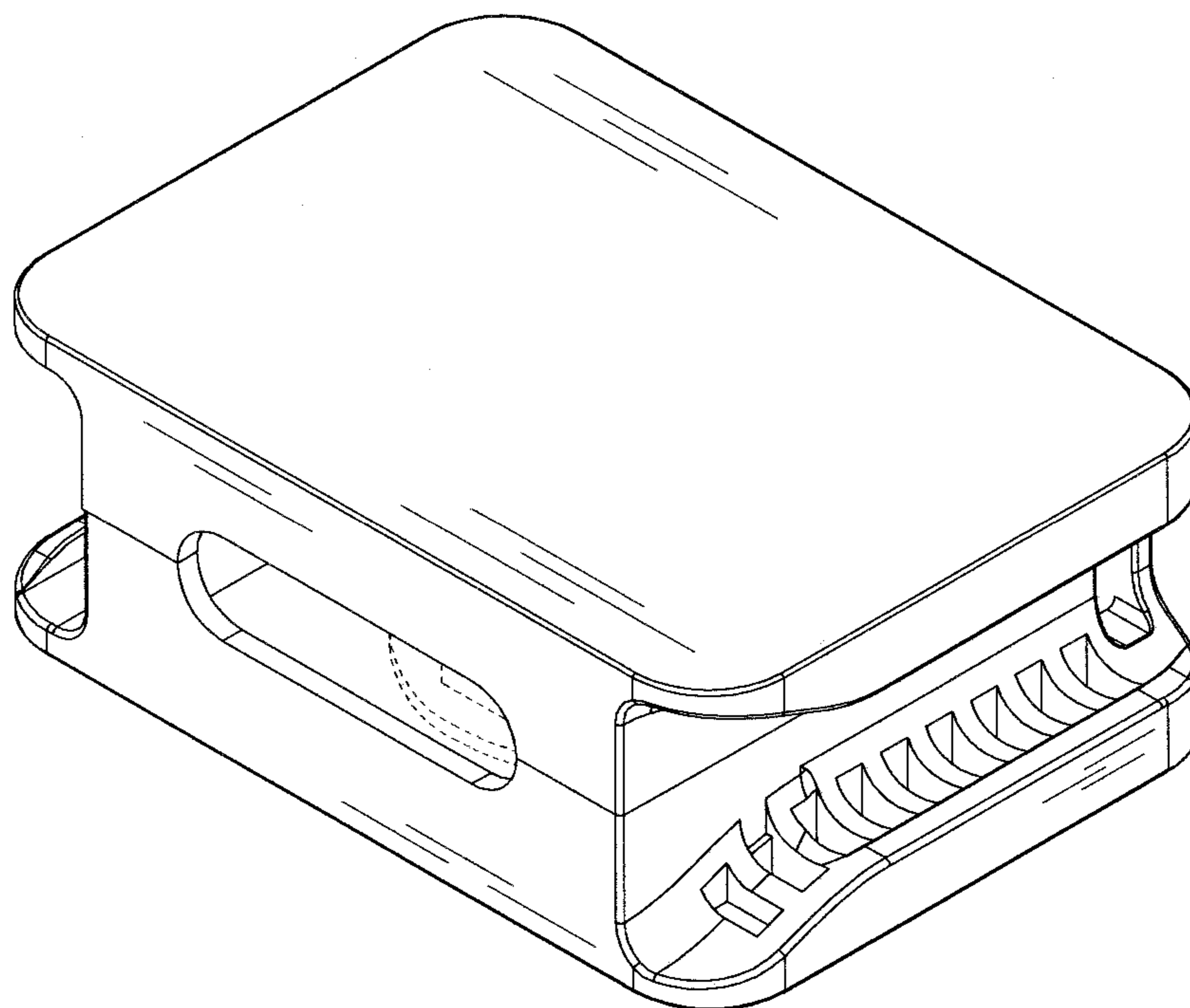


FIG. 1

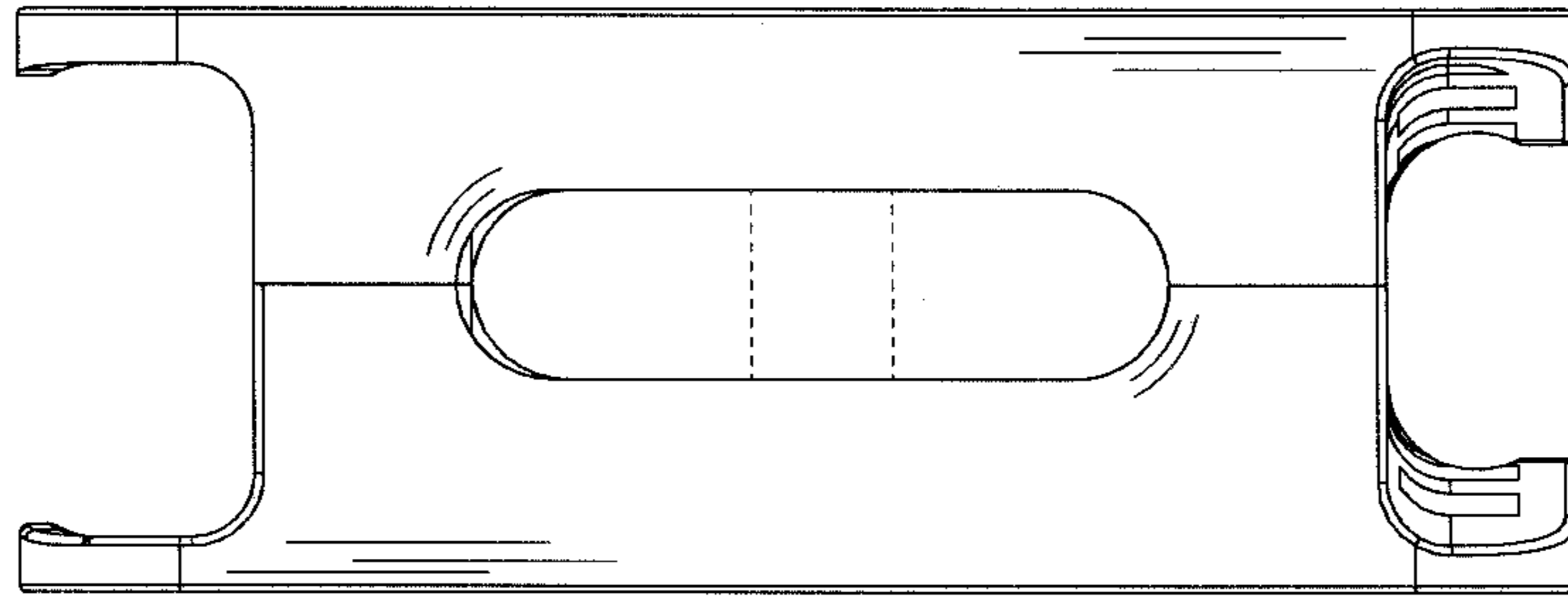


FIG. 2

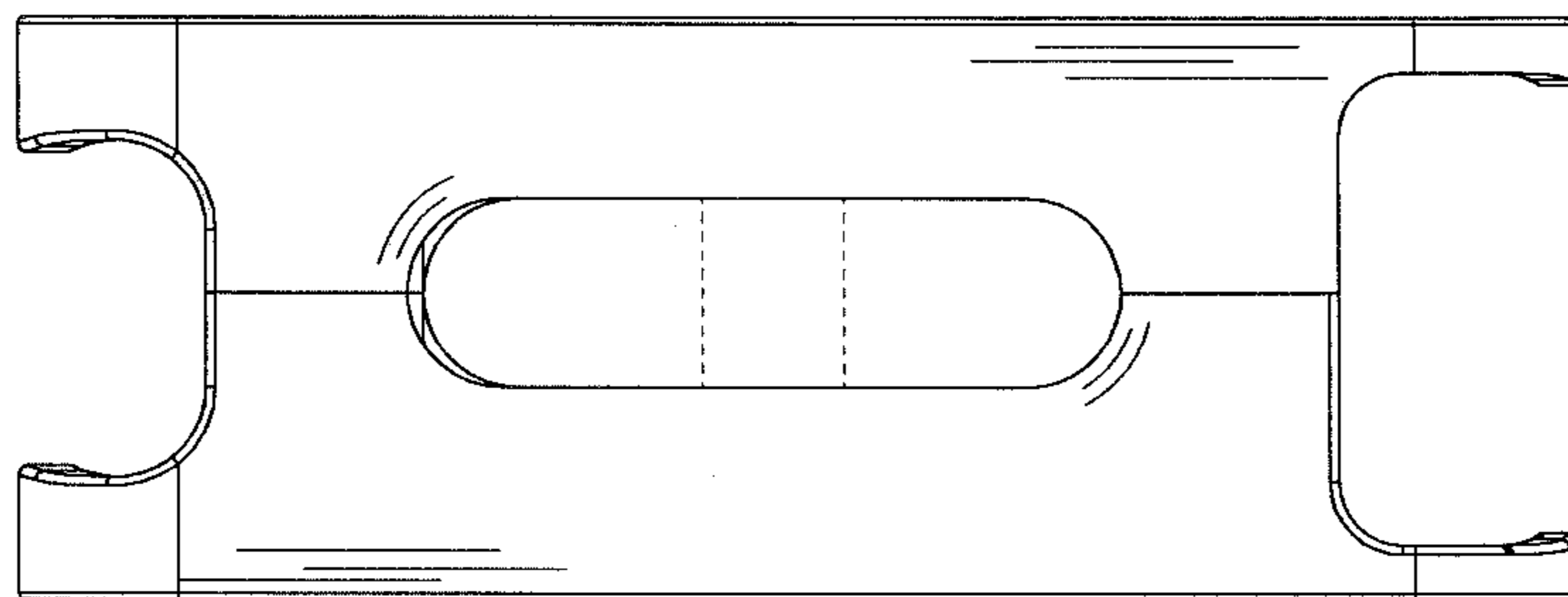


FIG. 3

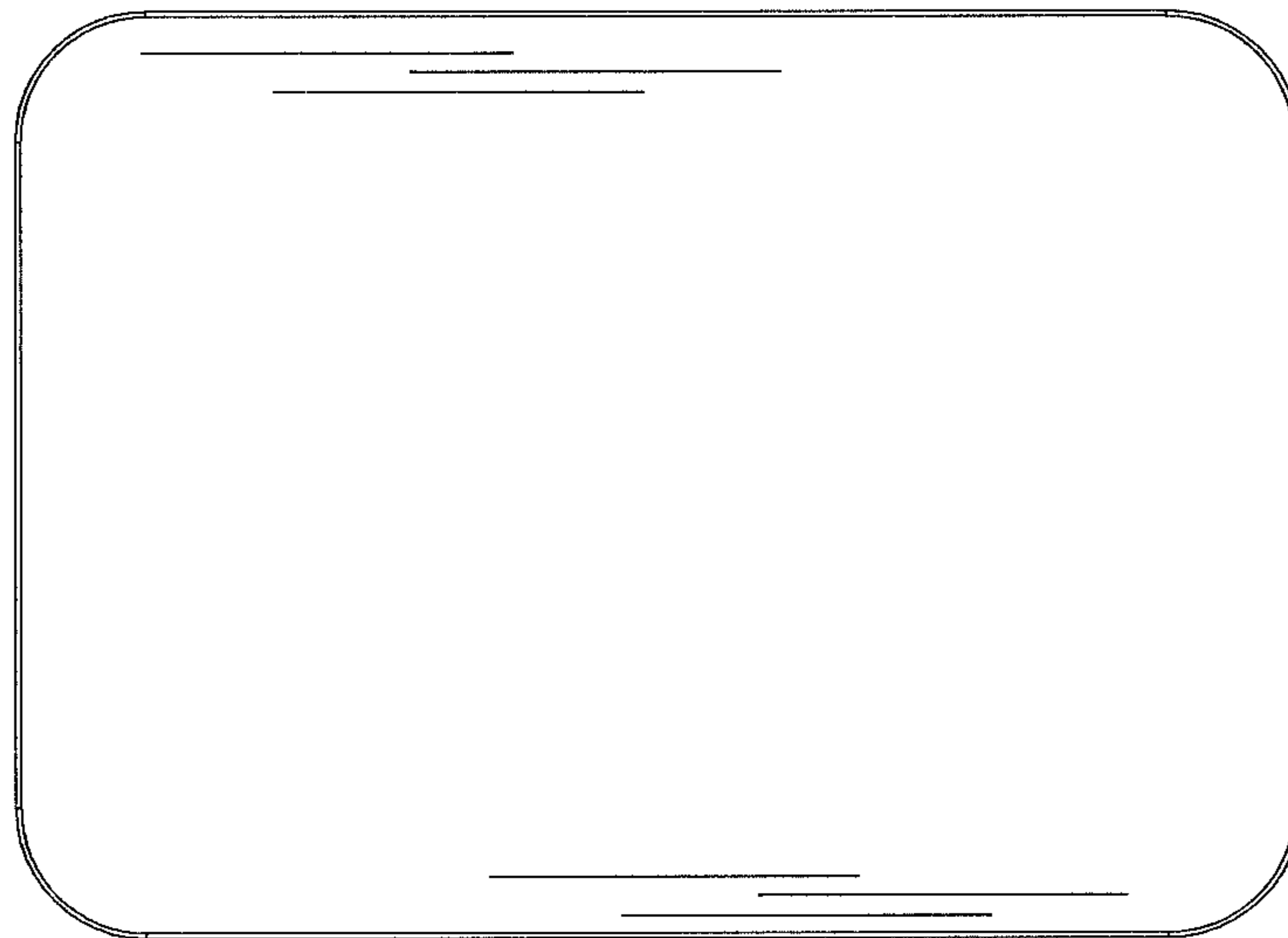


FIG. 4

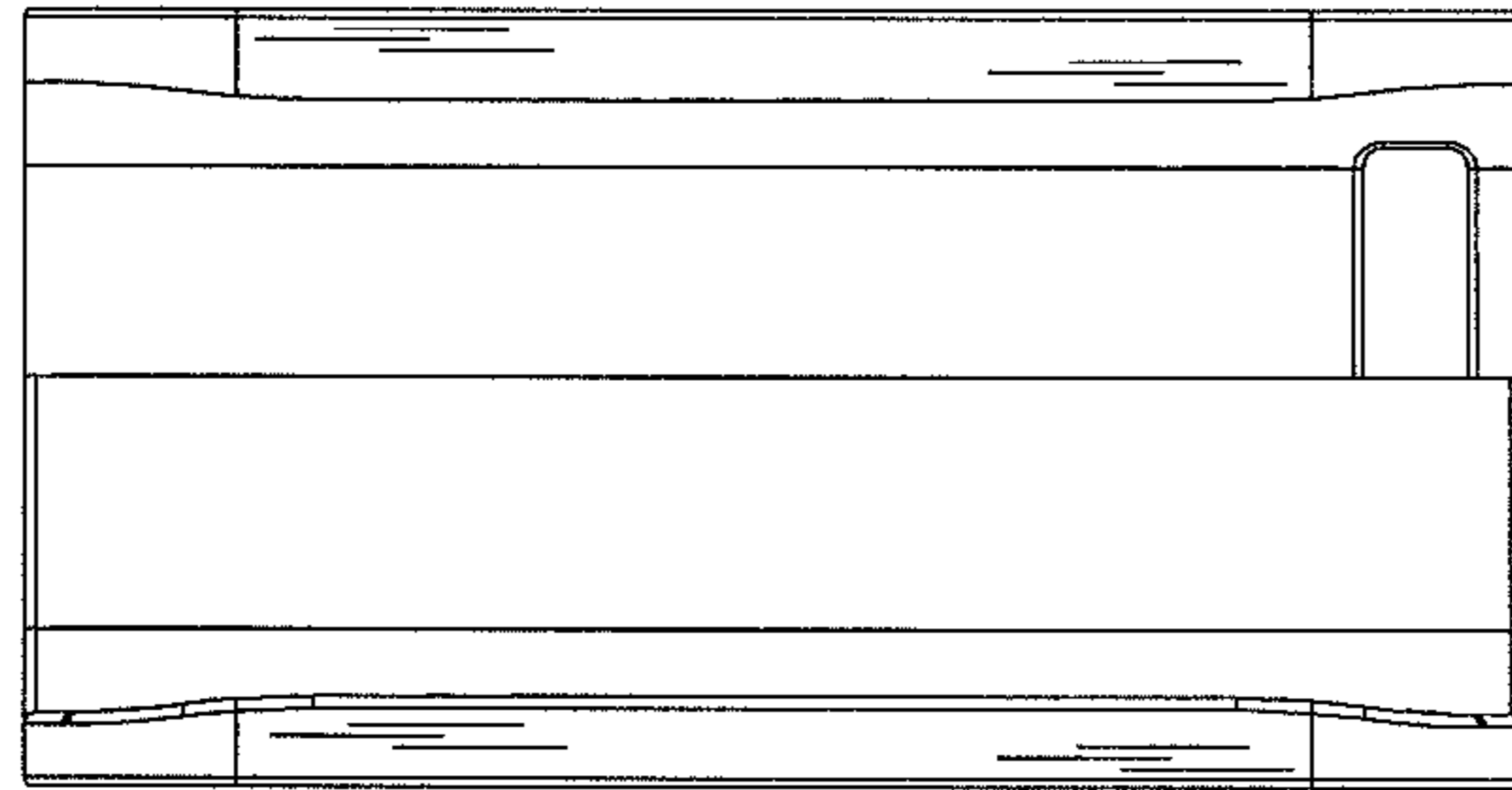


FIG. 5

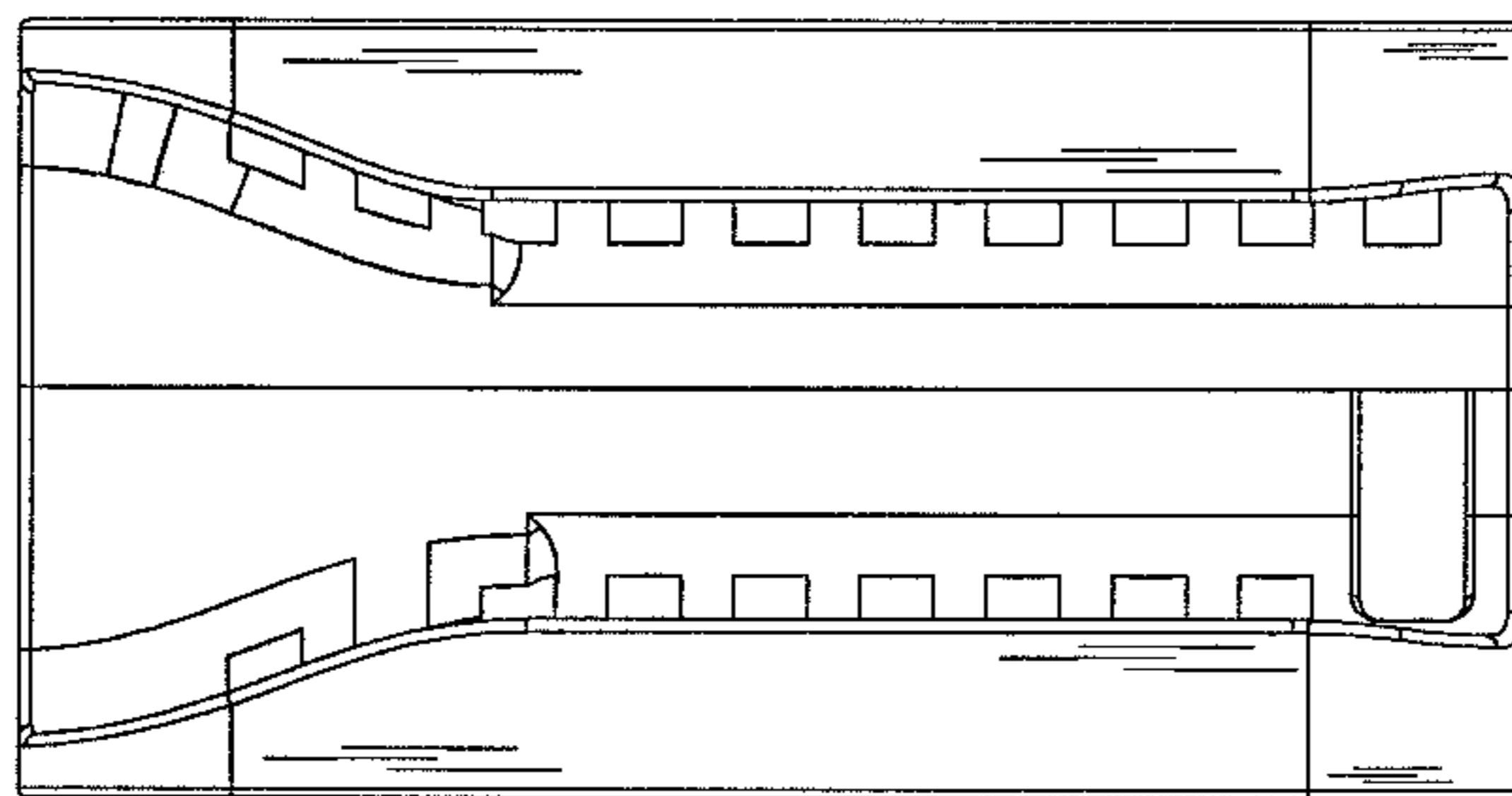


FIG. 6

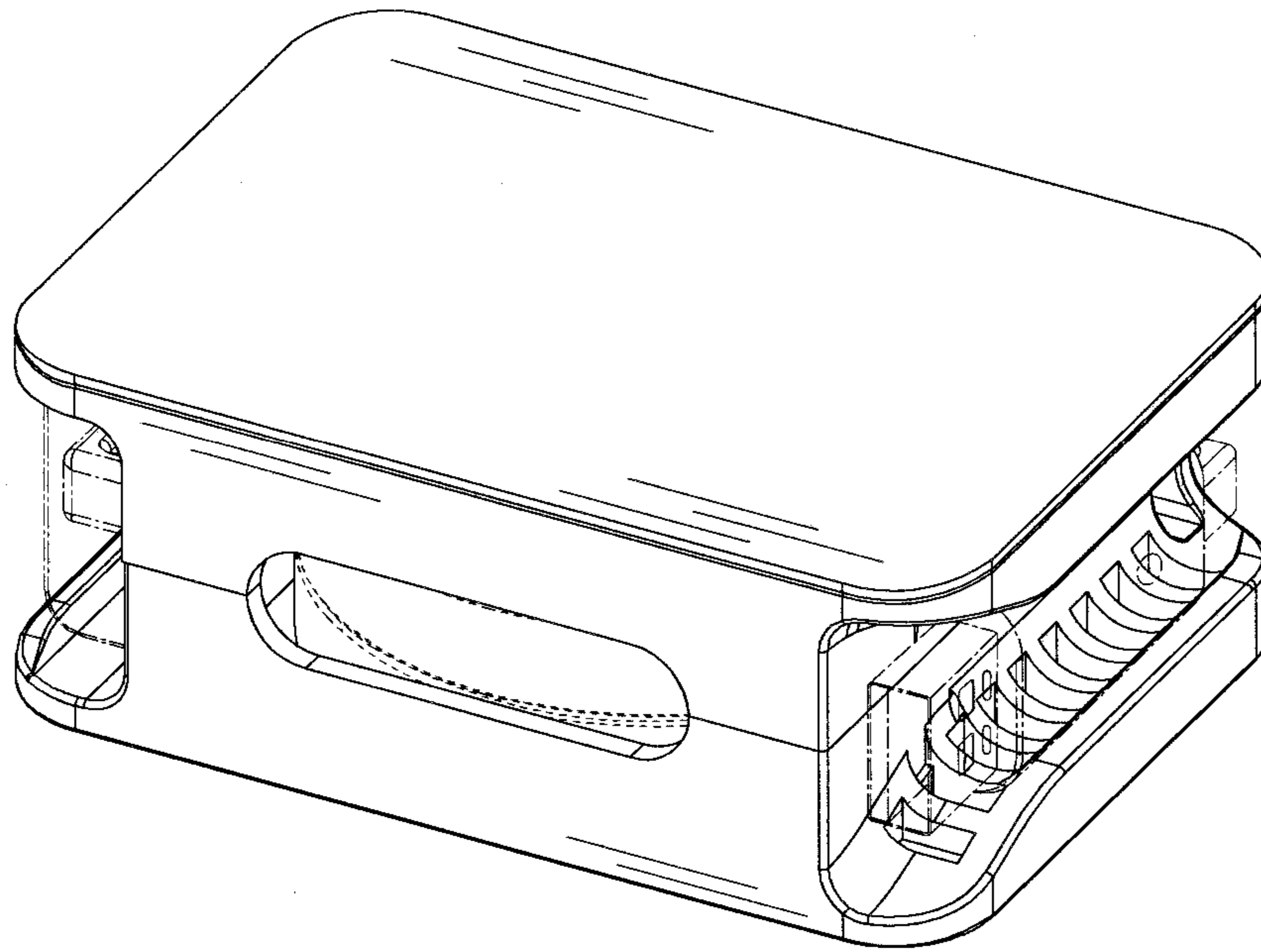


FIG. 7

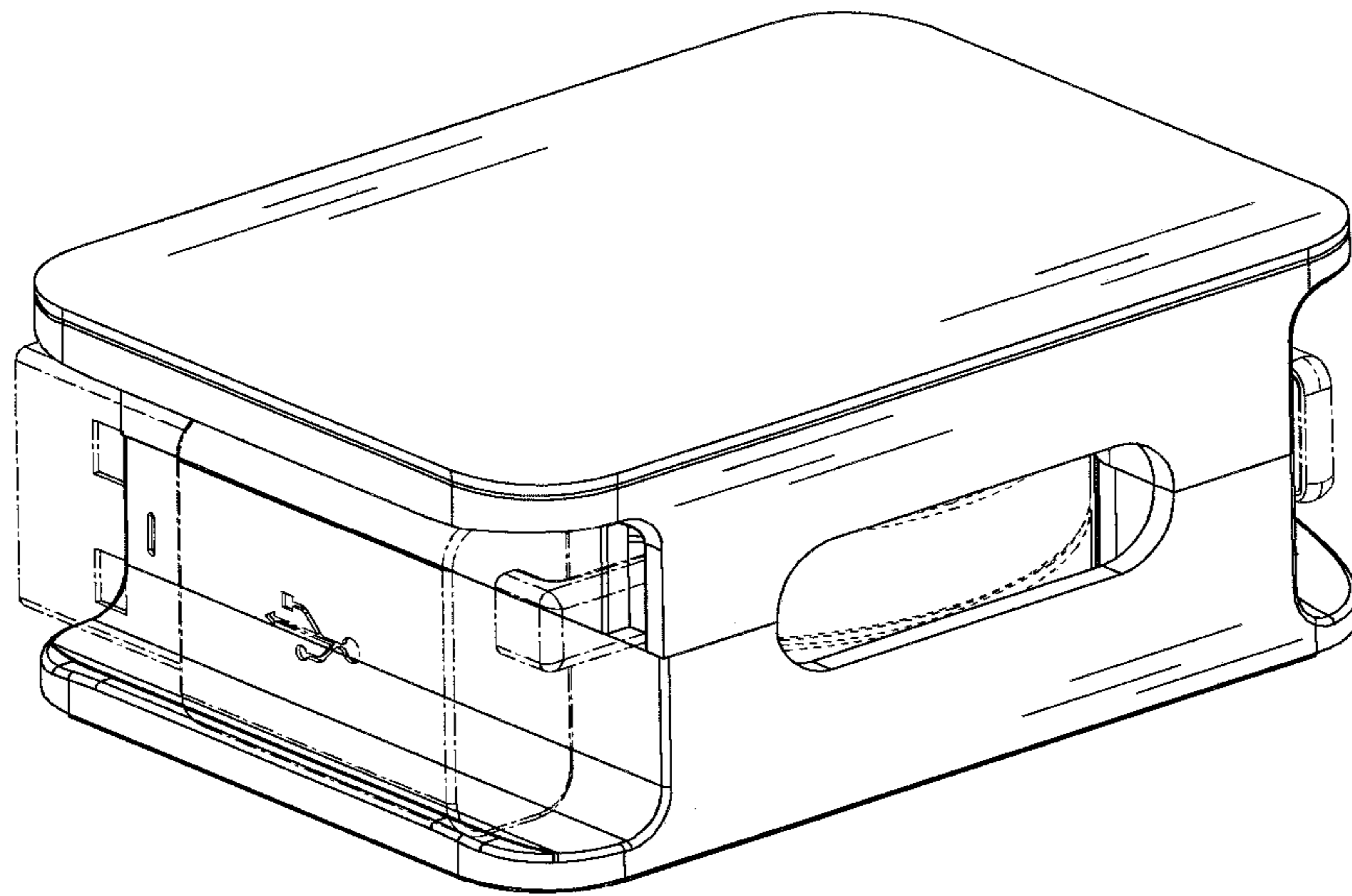


FIG. 8