



US00D742826S

(12) **United States Design Patent**
Hetzroni

(10) **Patent No.:** **US D742,826 S**

(45) **Date of Patent:** **** Nov. 10, 2015**

(54) **ELECTRICAL INVERTER**

(71) Applicant: **Guil Hetzroni**, Ft. Lauderdale, FL (US)

(72) Inventor: **Guil Hetzroni**, Ft. Lauderdale, FL (US)

(**) Term: **14 Years**

(21) Appl. No.: **29/481,804**

(22) Filed: **Feb. 11, 2014**

(51) **LOC (10) Cl.** **13-02**

(52) **U.S. Cl.**
USPC **D13/110**

(58) **Field of Classification Search**
USPC D13/110, 108, 118, 123, 162, 168, 169,
D13/174, 177, 184, 199; D14/257, 432,
D14/438; 174/16.3, 17 R, 17.08; 361/600,
361/601, 690, 694, 695, 679.01, 679.61,
361/704, 730; 363/141, 142
CPC H05K 5/00; H05K 5/02; H05K 5/0247;
H05K 7/00; H05K 7/20; H05K 7/20136;
H05K 7/20154; H05K 7/209; H02M 7/00;
H02M 7/003; H02J 7/0042

See application file for complete search history.

(56) **References Cited**

U.S. PATENT DOCUMENTS

D413,567	S	*	9/1999	Person et al.	D13/110
5,949,640	A	*	9/1999	Cameron et al.	361/600
D427,148	S	*	6/2000	Wei	D13/110
D427,969	S	*	7/2000	Wei	D13/110
D544,438	S	*	6/2007	Hussaini et al.	D13/110
D558,142	S	*	12/2007	Cho	D13/110
D561,688	S	*	2/2008	Hussaini et al.	D13/110
D562,235	S	*	2/2008	Hussaini et al.	D13/110
D654,021	S	*	2/2012	Sweeney et al.	D13/110

* cited by examiner

Primary Examiner — Derrick Holland

(74) *Attorney, Agent, or Firm* — Joseph Stecewycz

(57) **CLAIM**

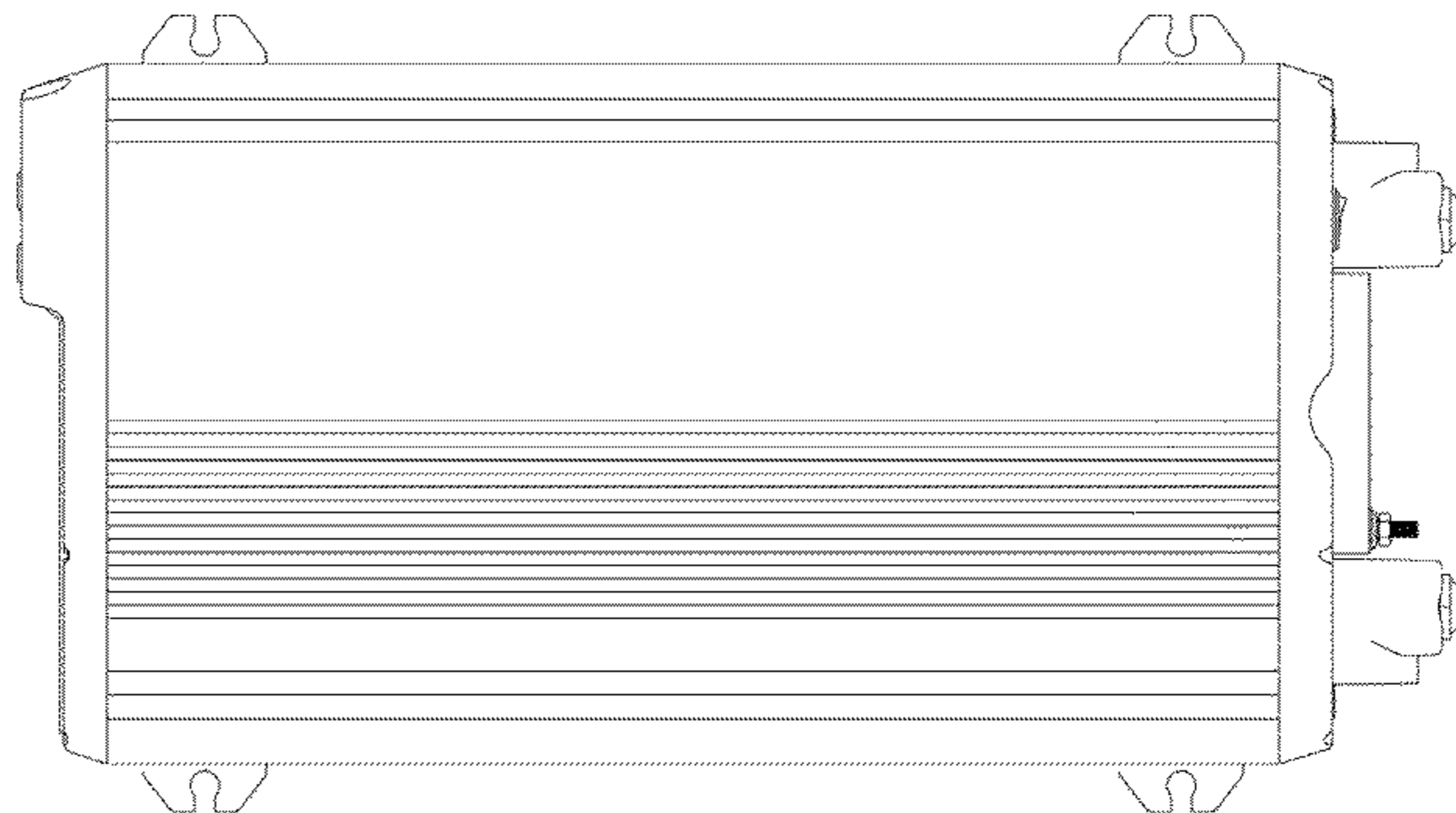
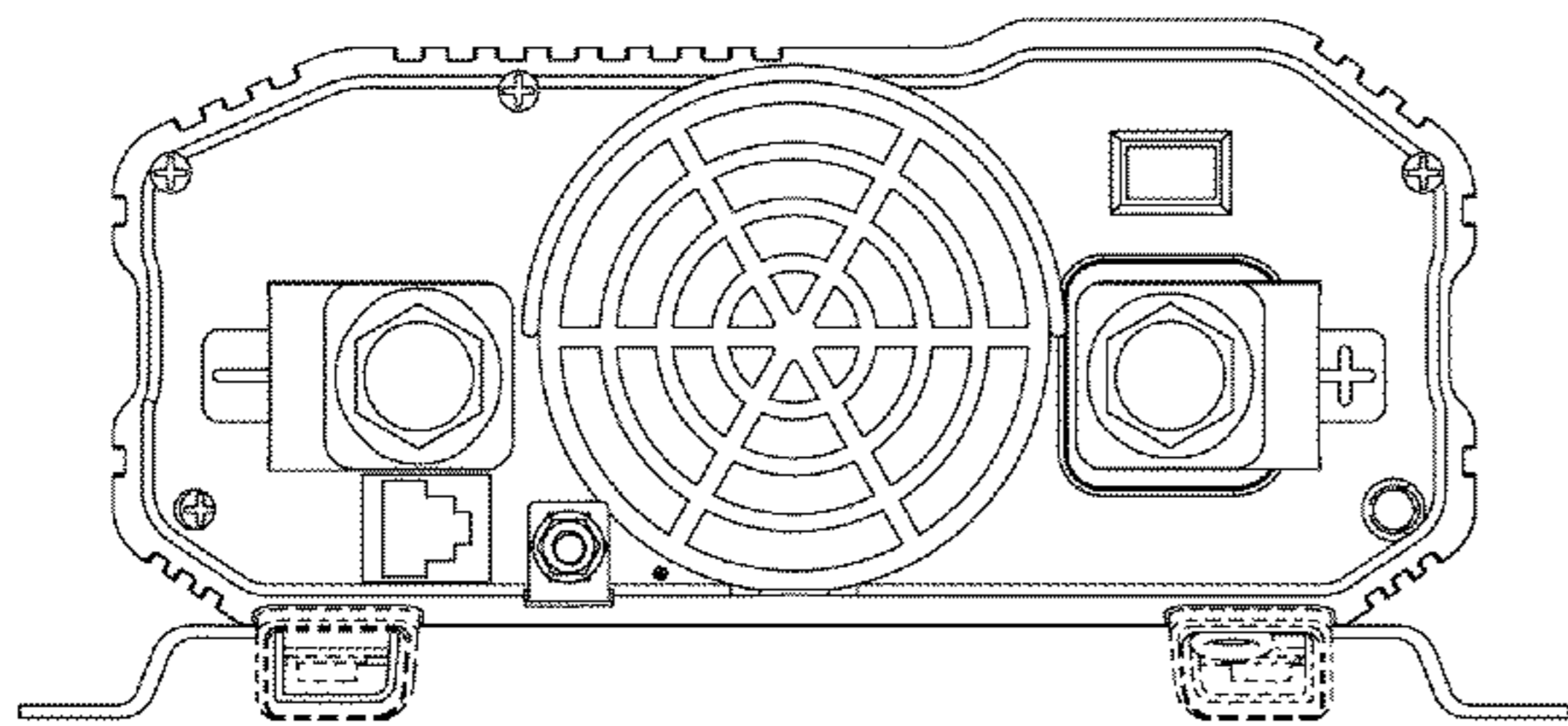
The ornamental design for an electrical inverter, as shown and described.

DESCRIPTION

FIG. 1 is a front elevation view of an electrical inverter;
FIG. 2 is a right side elevation view thereof;
FIG. 3 is a left side elevation view thereof;
FIG. 4 is a rear elevation view thereof; and,
FIG. 5 is a top view thereof.

The broken lines shown represent unclaimed subject matter and form no part of the claimed design.

1 Claim, 5 Drawing Sheets



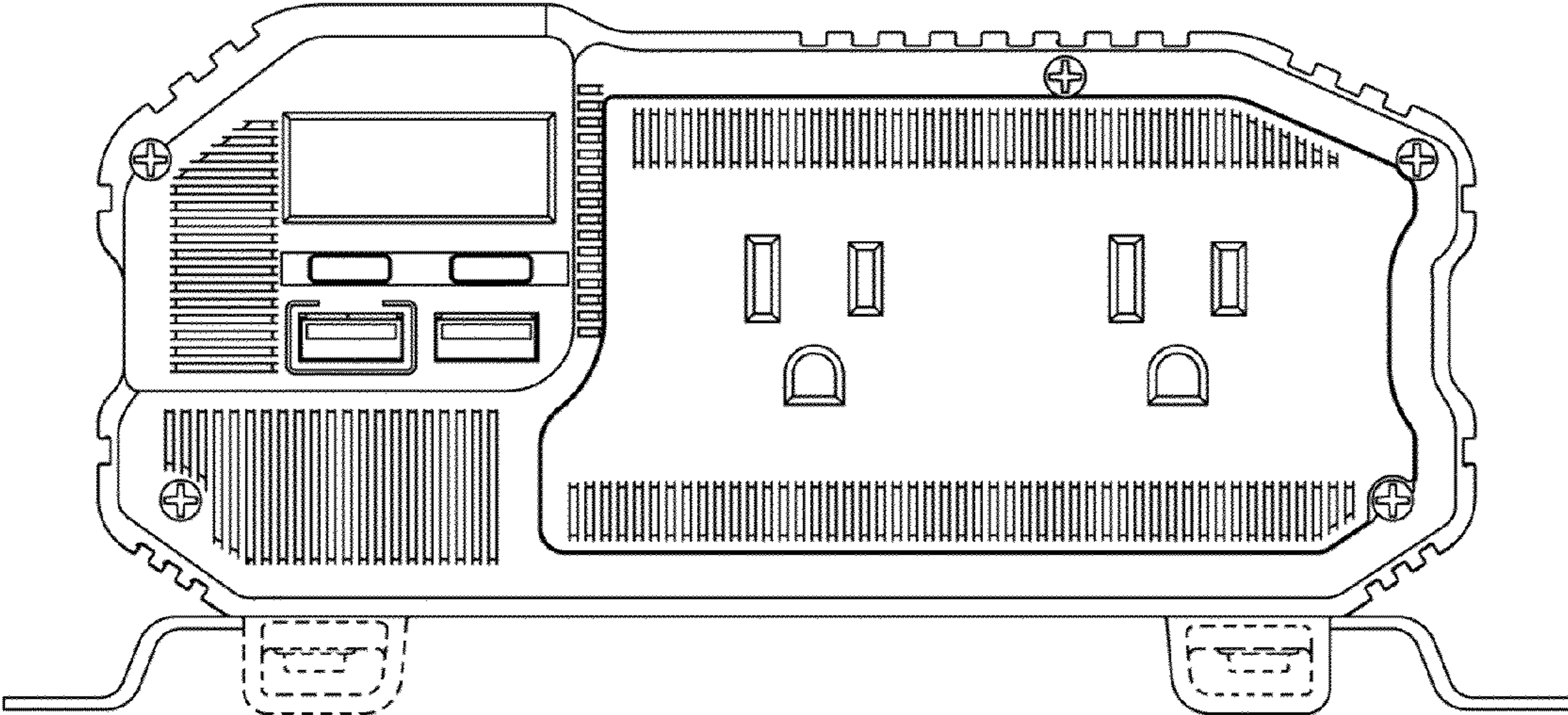


Fig. 1

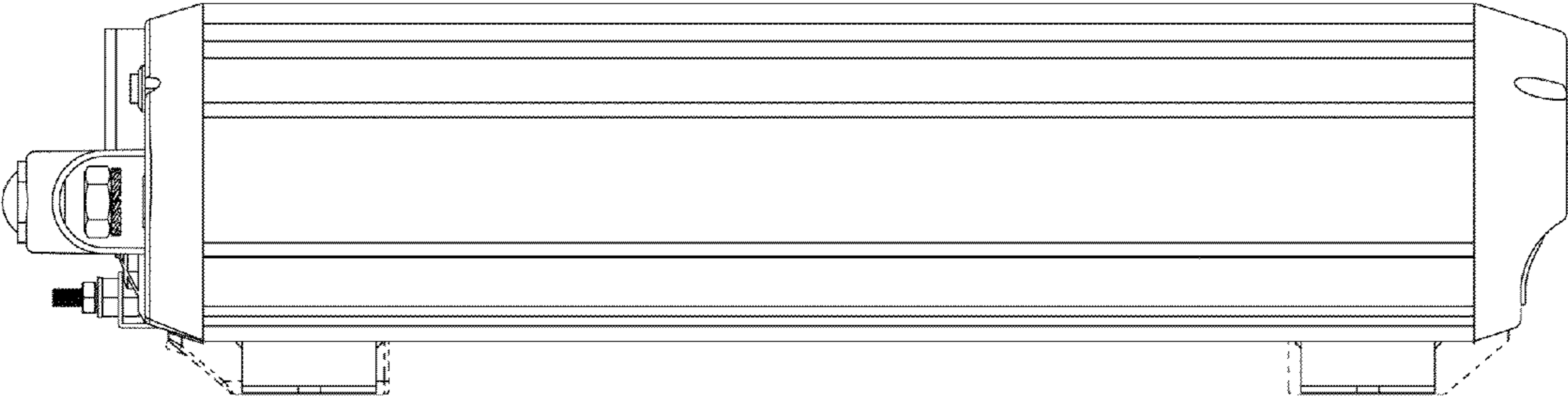


Fig. 2

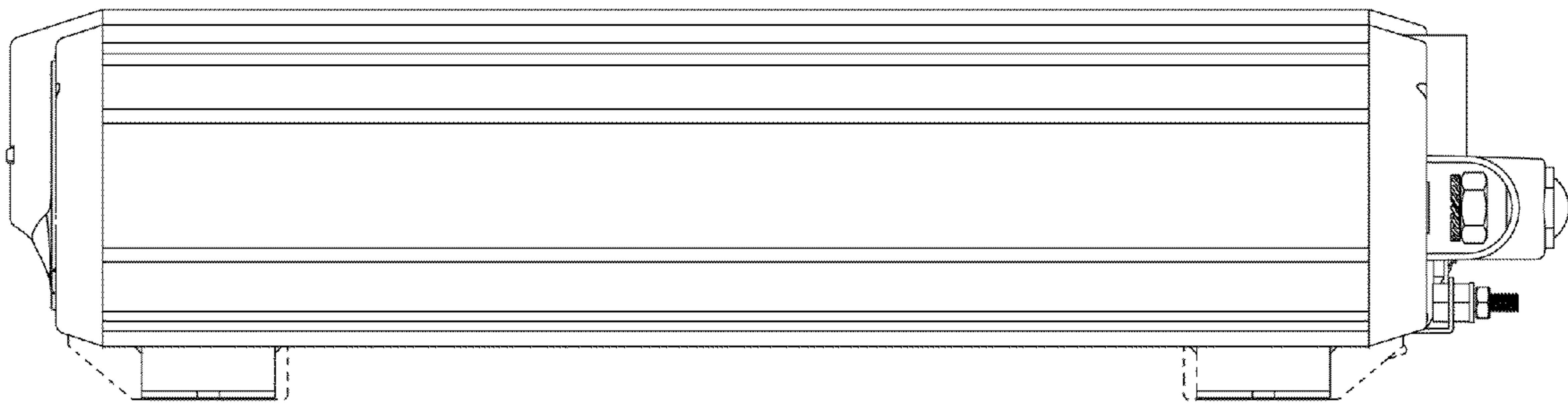


Fig. 3

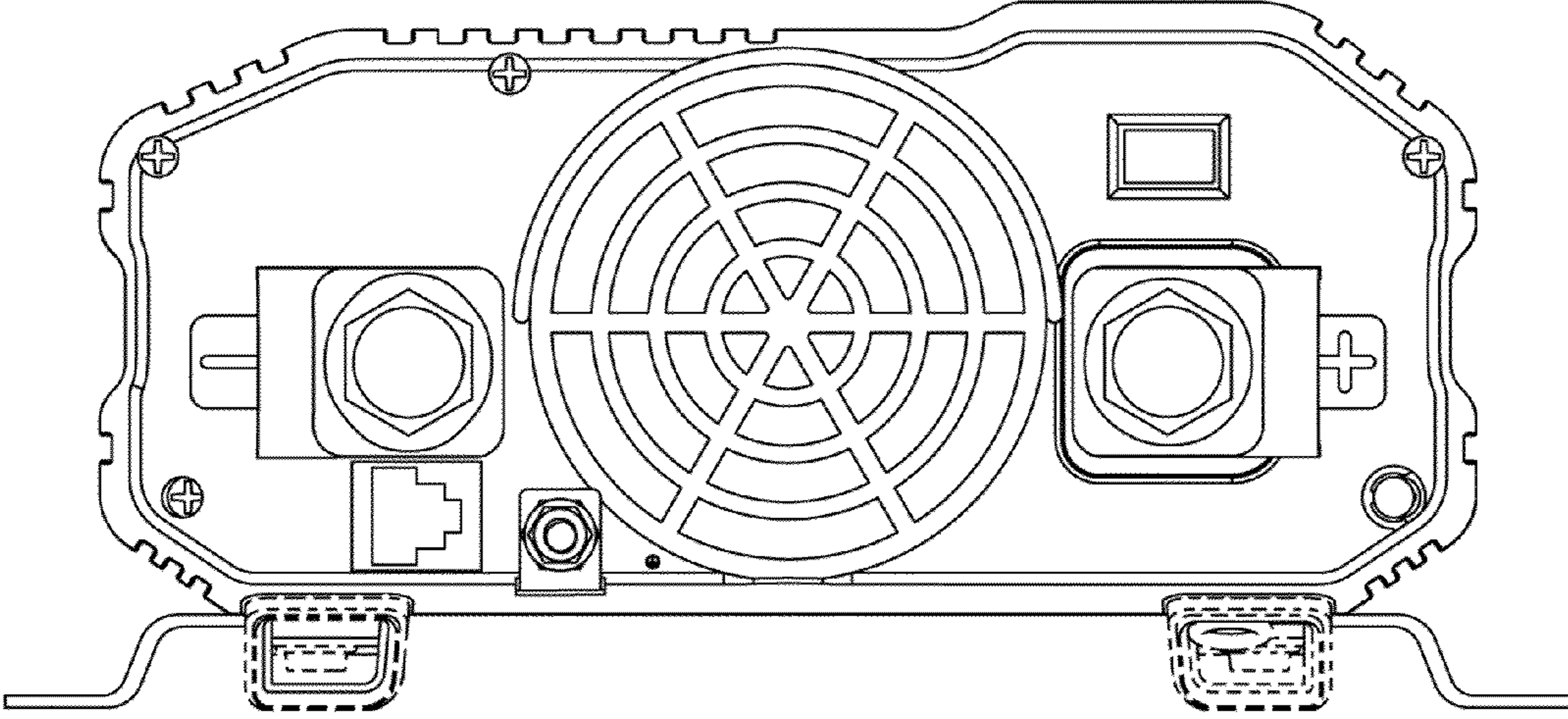


Fig. 4

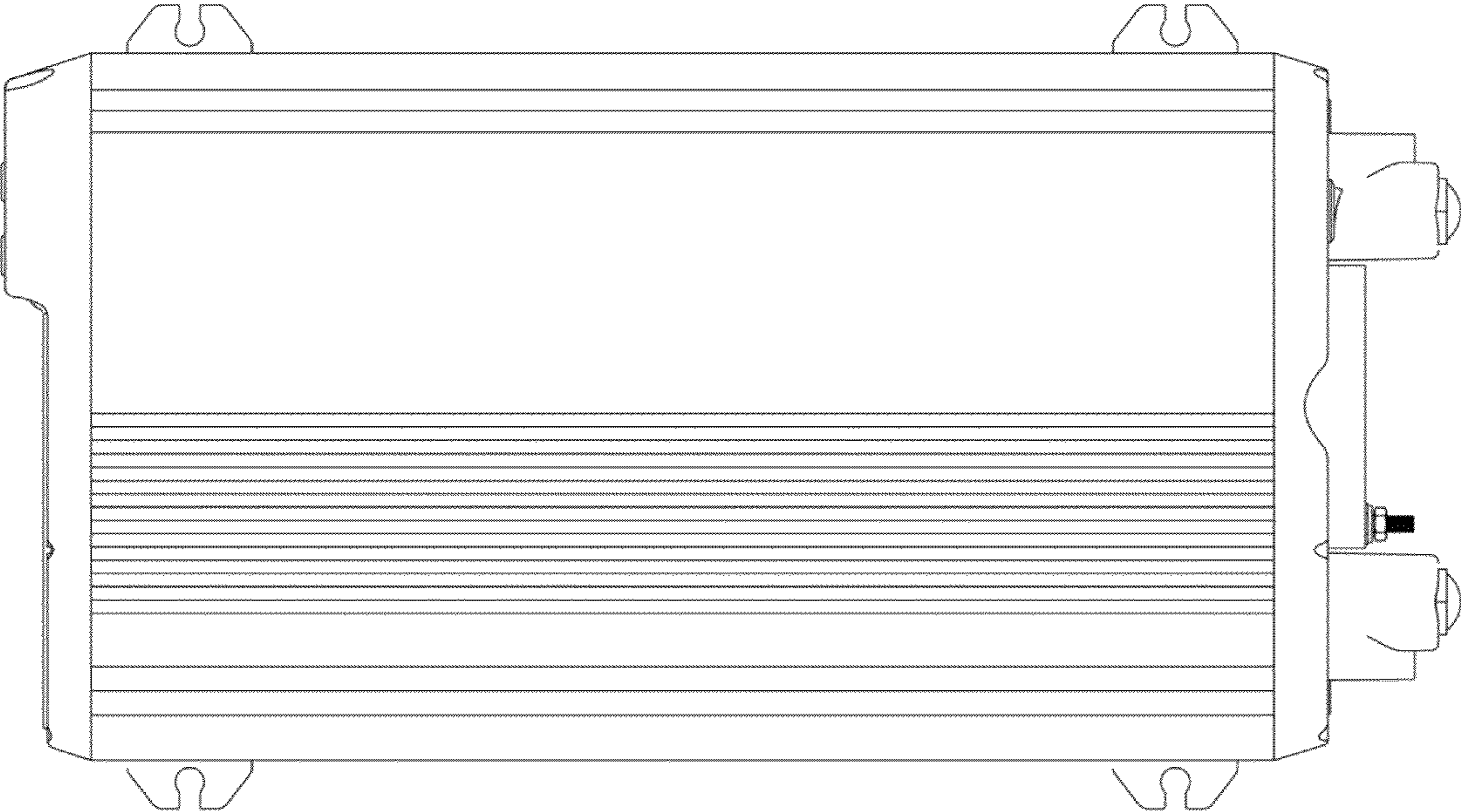


Fig. 5