



US00D742825S

(12) **United States Design Patent**  
**Tsou**

(10) **Patent No.:** **US D742,825 S**

(45) **Date of Patent:** **\*\* Nov. 10, 2015**

(54) **DUAL USB AND TRADITIONAL WALL CHARGER**

B60L 11/182; H02J 7/0003; H02J 7/0054;  
H02J 7/0045; H02J 7/0044; H02J 7/0042

See application file for complete search history.

(71) Applicant: **Cleer Gear LLC**, San Francisco, CA (US)

(56) **References Cited**

(72) Inventor: **Peter Christian Tsou**, San Francisco, CA (US)

U.S. PATENT DOCUMENTS

(73) Assignee: **CLEER GEAR LLC**, San Francisco, CA (US)

D361,315 S *	8/1995	Wedell	.....	D13/137.2
D367,038 S *	2/1996	Fladung	.....	D13/137.2
D370,459 S *	6/1996	Boesel	.....	D13/137.2
D370,460 S *	6/1996	Boesel	.....	D13/137.2
D680,953 S *	4/2013	Kuo	.....	D13/137.2
D733,054 S *	6/2015	Ward	.....	D13/137.3
D734,253 S *	7/2015	Tinaphong	.....	D13/108
D736,726 S *	8/2015	Andersen	.....	D13/152

(\*\*) Term: **14 Years**

\* cited by examiner

(21) Appl. No.: **29/499,432**

(22) Filed: **Aug. 14, 2014**

*Primary Examiner* — Rosemary K Tarcza

(51) **LOC (10) Cl.** ..... **13-03**

*Assistant Examiner* — Sanjeev Paul

(52) **U.S. Cl.**  
USPC ..... **D13/108**

(58) **Field of Classification Search**

(57) **CLAIM**

The ornamental design for a dual USB and traditional wall charger, as shown and described.

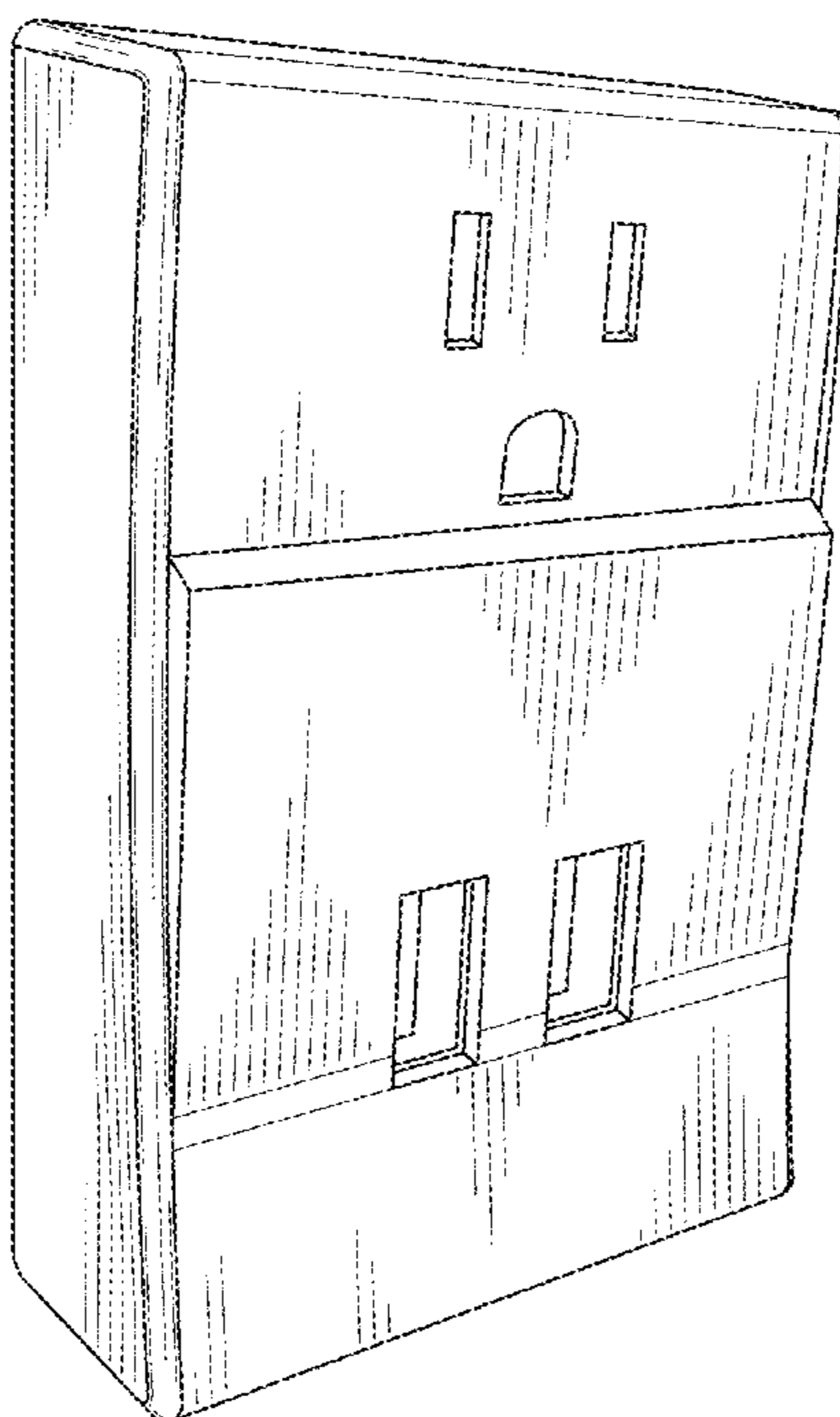
USPC ..... D13/102–110, 118–119, 184, 199, 154,  
D13/133, 137.1–137.3, 139.1, 139.3;  
D14/203.3–203.8, 217, 248, 250–253,  
D14/432, 434, 440, 450, 496, 433; D3/201,  
D3/218, 269, 301, 273, 303; 320/101–102,  
320/107–115, 120; 429/96–100, 149, 159,  
429/163, 176, 177, 186; 361/679.59;  
379/426, 433.11–433.13, 455;  
455/575.1, 575.8; 174/53–58, 66;  
439/105–107, 535, 650–655, 692

CPC ..... H01R 24/68; H01R 25/006; H01R 13/70;  
H01R 13/6675; H01M 10/425; H01M 10/44;  
H01M 10/46; H01M 2/1055; H01M 2/1022;  
Y02T 10/7088; Y02T 10/7005; Y02E 60/12;

**DESCRIPTION**

FIG. 1 is a perspective view of a dual USB and traditional wall charger, showing my new design;  
FIG. 2 is a front view thereof;  
FIG. 3 is a back view thereof;  
FIG. 4 is a left side view thereof;  
FIG. 5 is a right side view thereof;  
FIG. 6 is a top view thereof; and,  
FIG. 7 is a bottom view thereof.

**1 Claim, 3 Drawing Sheets**



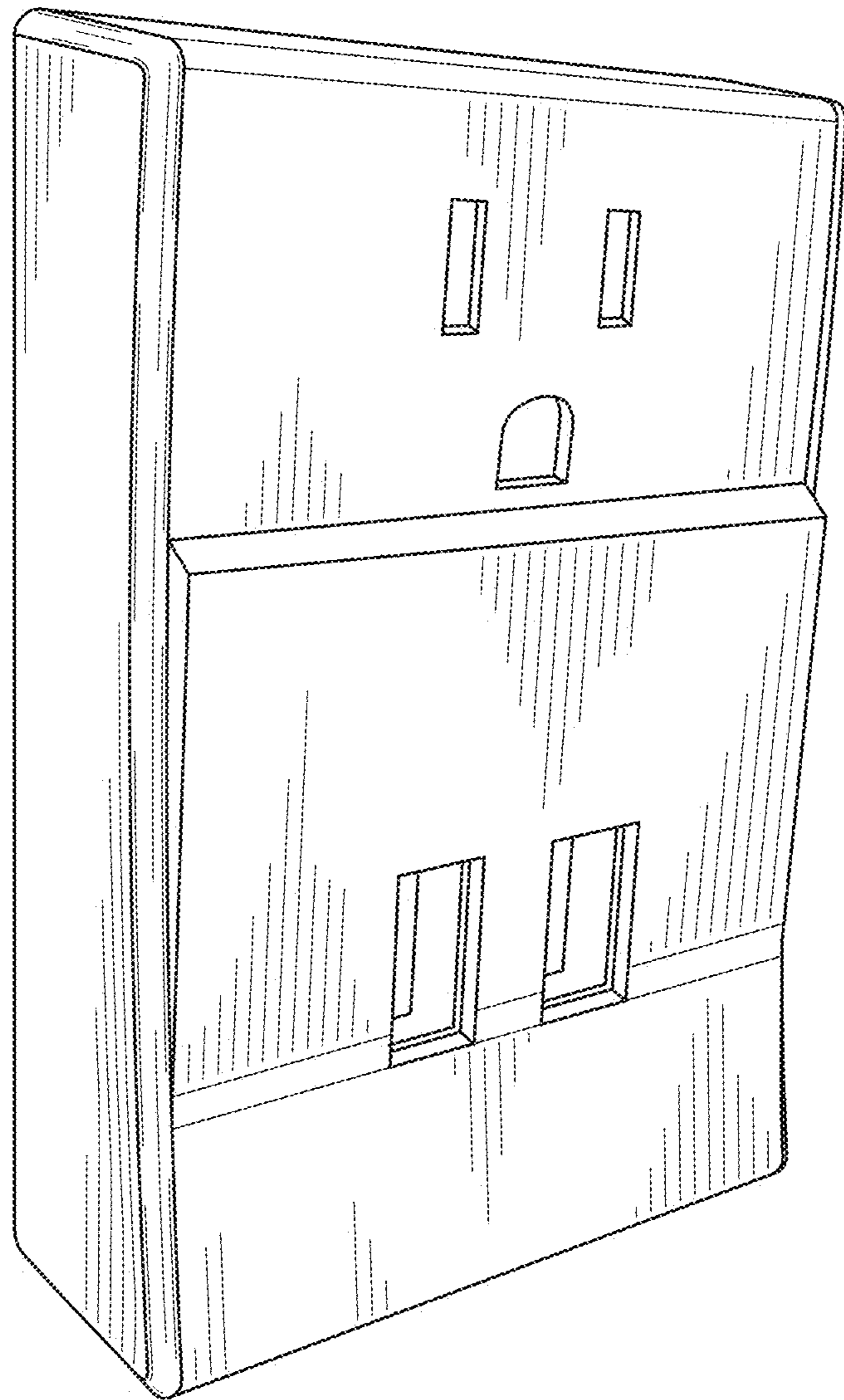


FIG. 1

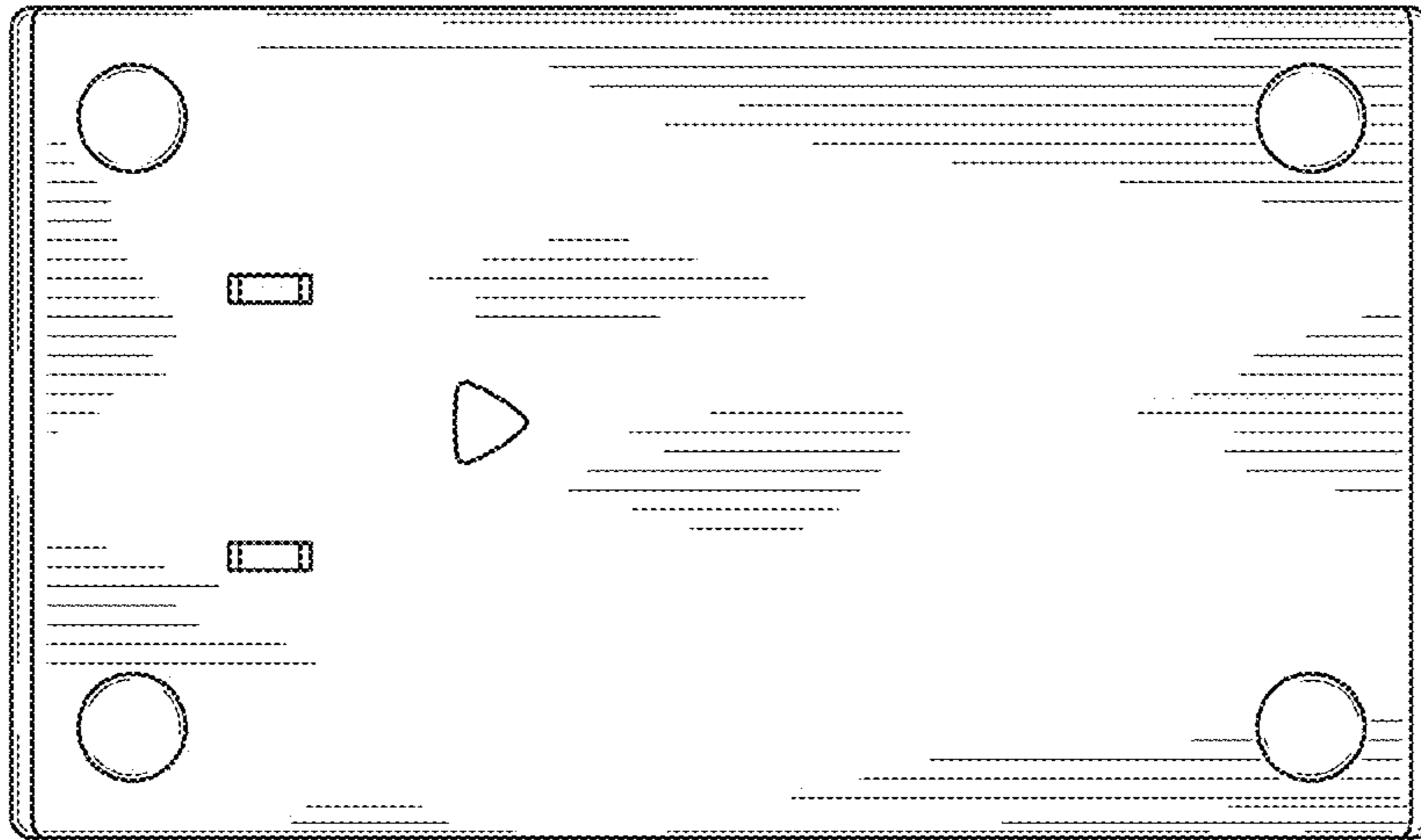


FIG. 3

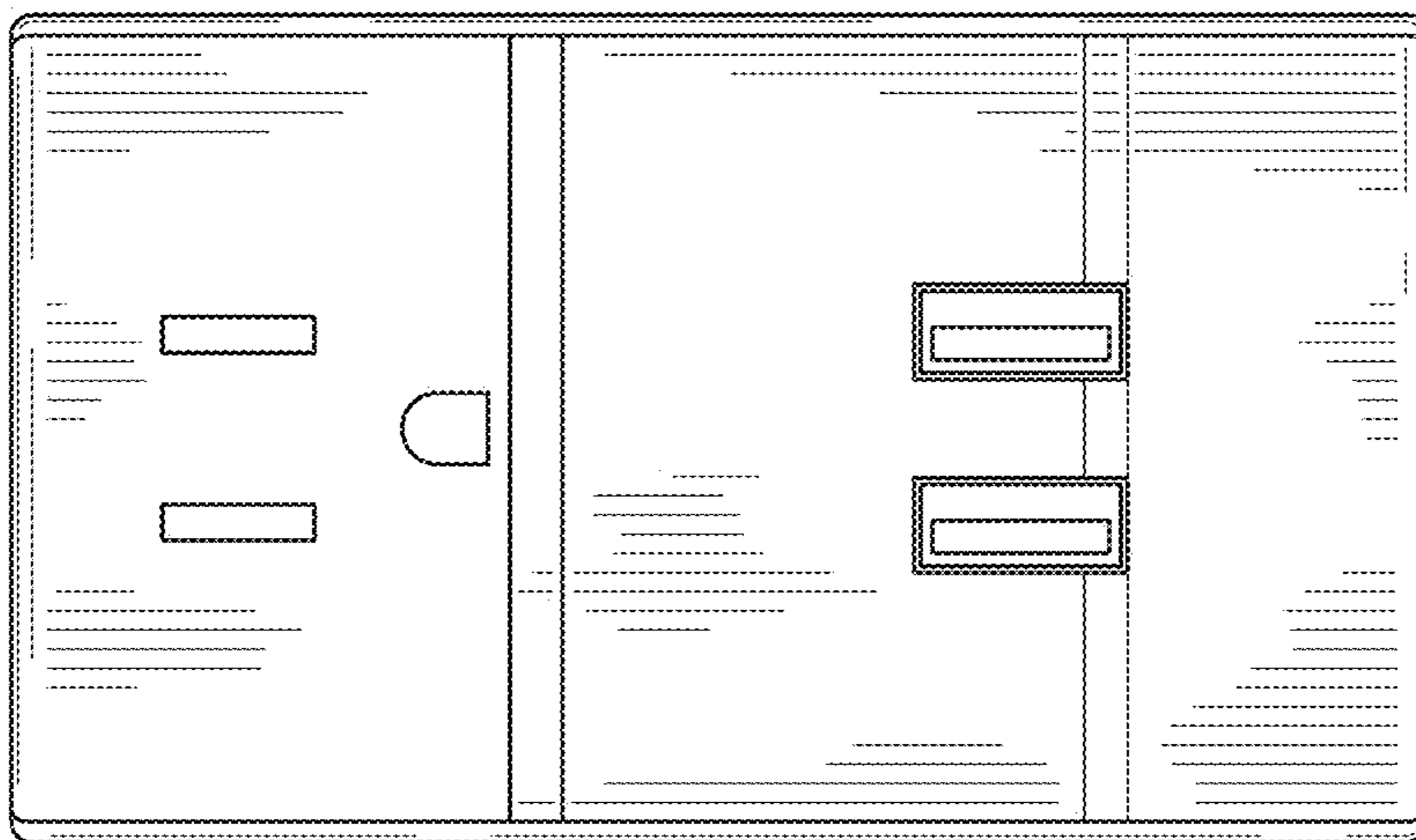


FIG. 2

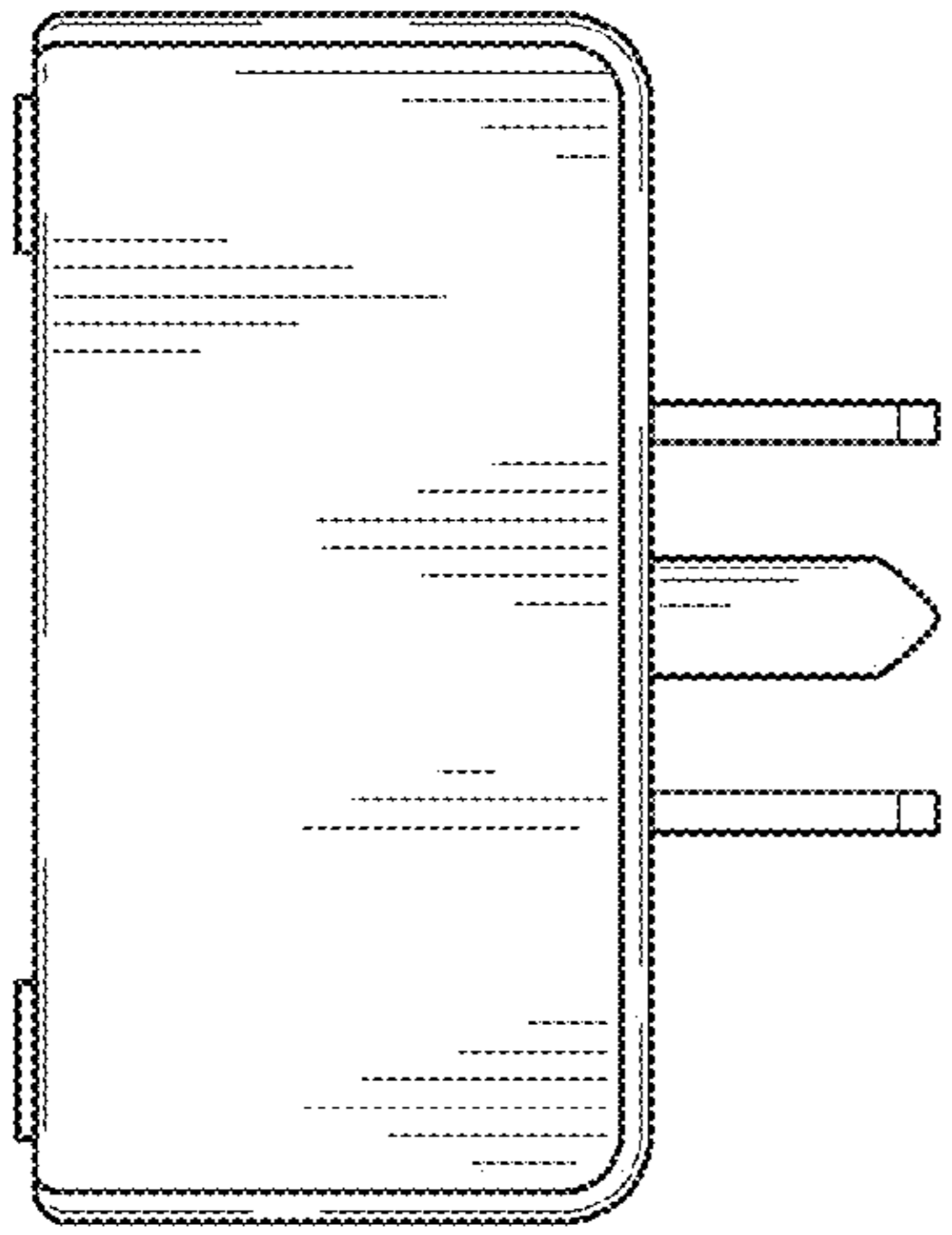


FIG. 6

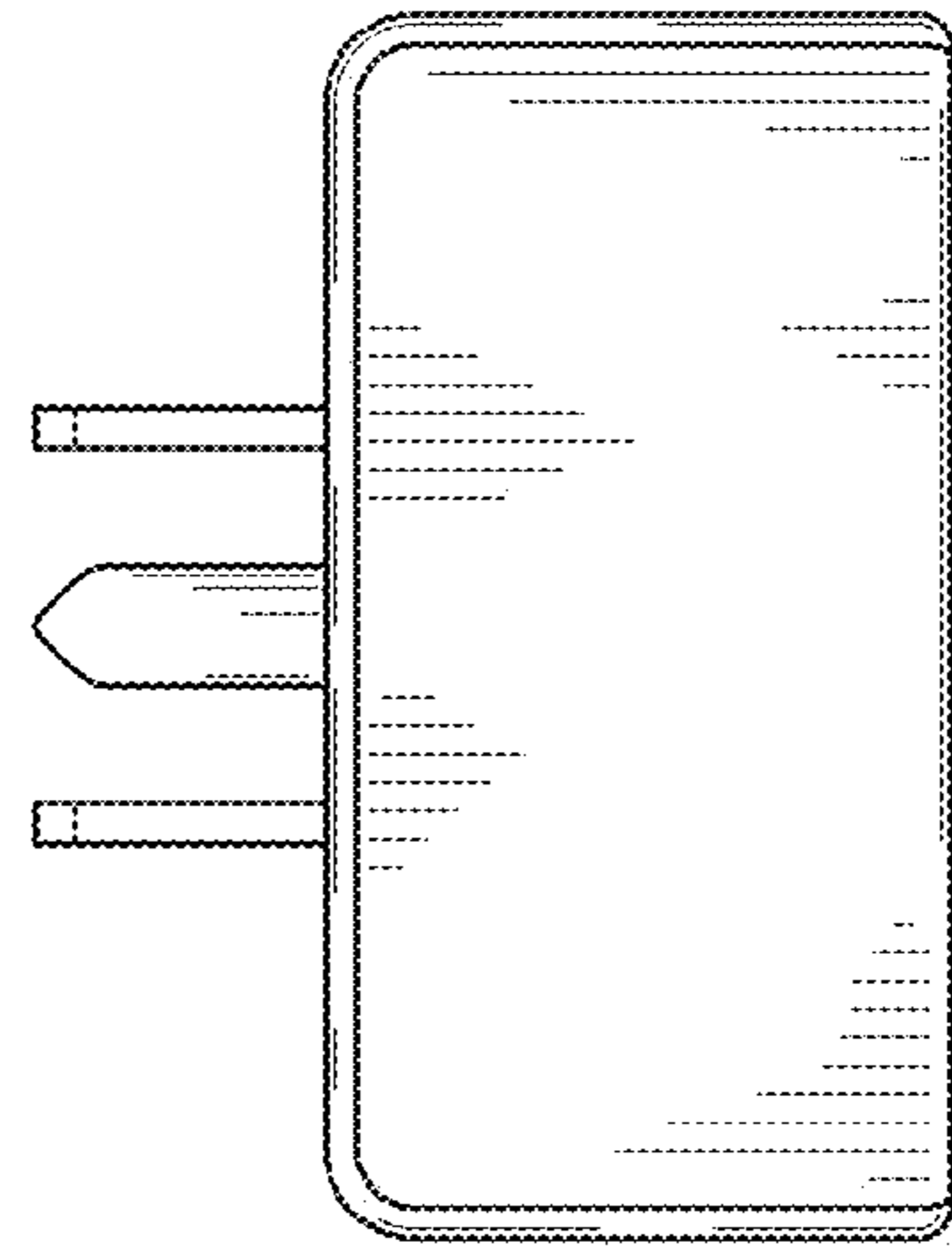


FIG. 7

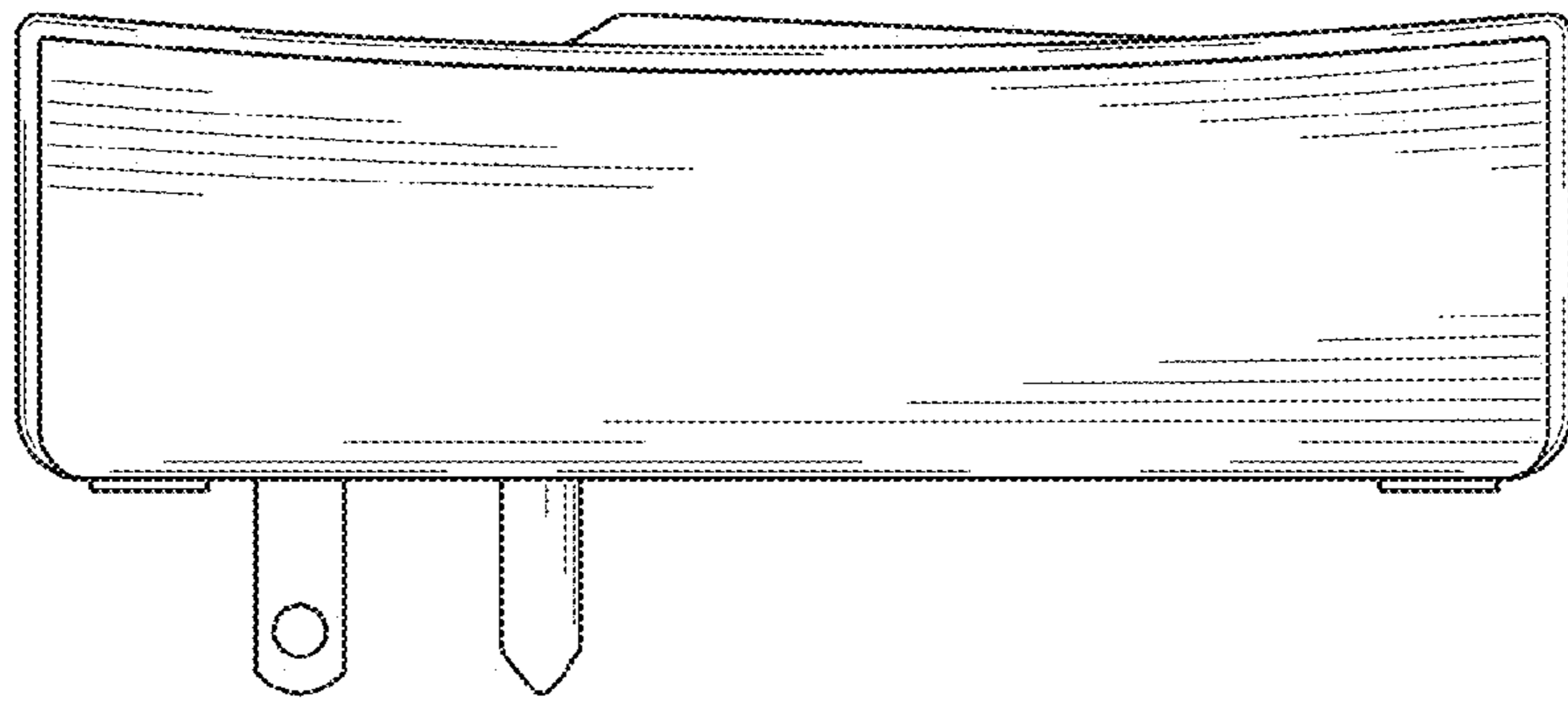


FIG. 5

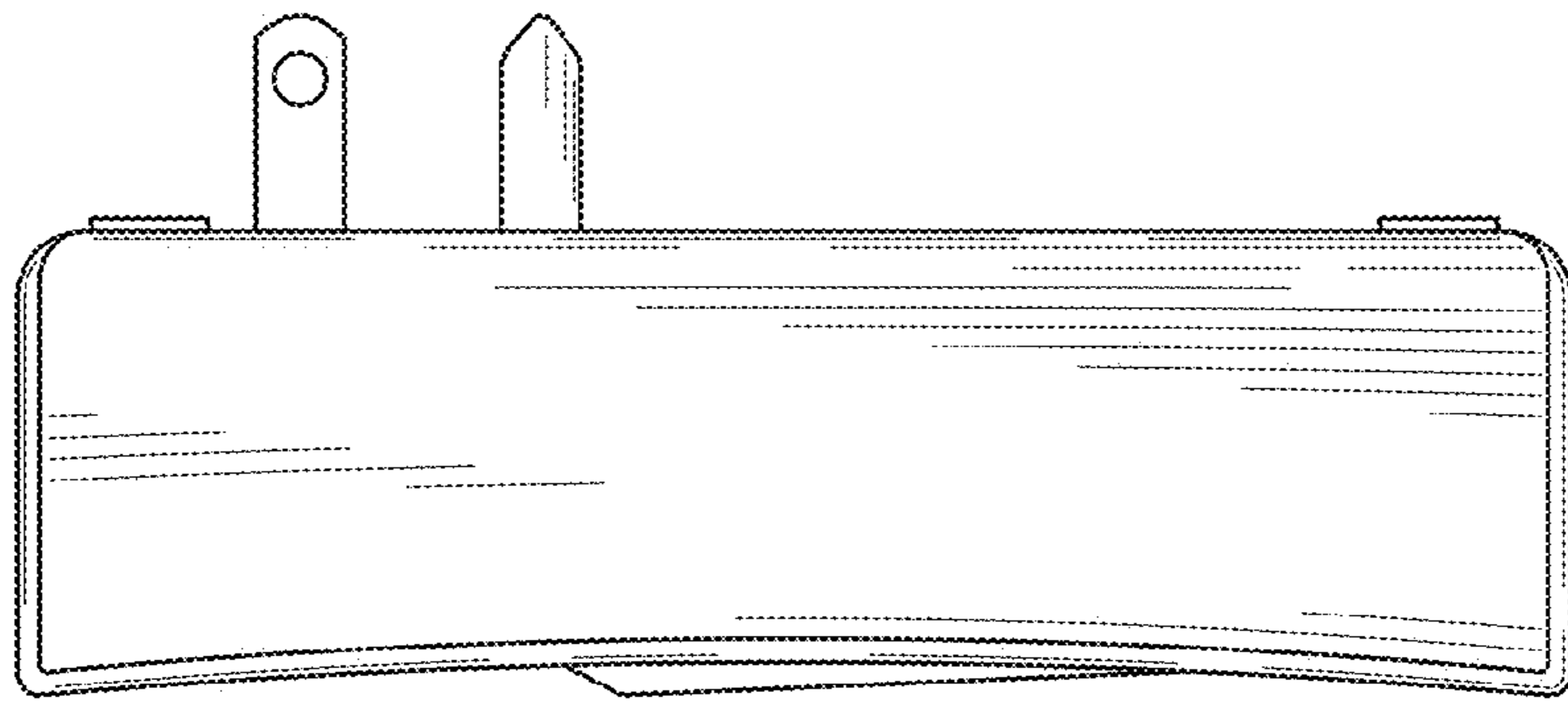


FIG. 4