



US00D742823S

(12) **United States Design Patent**  
**Nitz**

(10) **Patent No.:** **US D742,823 S**

(45) **Date of Patent:** **\*\* Nov. 10, 2015**

(54) **CHARGER**

(71) Applicant: **Nitz Engineering GmbH**, Brixen (IT)

(72) Inventor: **Rüdiger Nitz**, Brixen (IT)

(73) Assignee: **NITZ ENGINEERING GMBH**, Brixen (IT)

(\*\*) Term: **14 Years**

(21) Appl. No.: **29/468,247**

(22) Filed: **Sep. 27, 2013**

(30) **Foreign Application Priority Data**

Mar. 27, 2013 (EM) ..... 002210187

(51) **LOC (10) Cl.** ..... **13-02**

(52) **U.S. Cl.**  
USPC ..... **D13/108; D13/103**

(58) **Field of Classification Search**  
USPC ..... D13/103, 107–110, 118–119, 182, 199;  
D14/251, 253, 432, 434; 320/107–115  
CPC ..... Y02E 60/12; Y02T 90/14; Y02T 90/122;  
Y02T 90/128; Y02T 90/163; H02J 7/025;  
H02J 7/0042; H02J 7/0044; H02J 7/0045;  
H02J 7/0003; H01F 38/14; H01R 13/6675;  
H01M 2/1022; H01M 2/1055; H01M 10/44;  
H01M 10/46; H01M 10/425; B60L 11/182  
See application file for complete search history.

(56) **References Cited**

**U.S. PATENT DOCUMENTS**

D628,153 S \* 11/2010 Fujii et al. .... D13/108  
D654,431 S \* 2/2012 Stephanchick et al. .... D13/108  
D656,096 S \* 3/2012 Sasada et al. .... D13/108  
D659,094 S \* 5/2012 Brand et al. .... D13/108  
D663,684 S \* 7/2012 Yang ..... D13/108  
D663,685 S \* 7/2012 Yang ..... D13/108

D674,748 S \* 1/2013 Ferber et al. .... D13/108  
D680,063 S \* 4/2013 Sasada ..... D13/103  
D694,182 S \* 11/2013 Lee et al. .... D13/108

(Continued)

*Primary Examiner* — Rosemary K Tarcza

(74) *Attorney, Agent, or Firm* — Myers Wolin, LLC

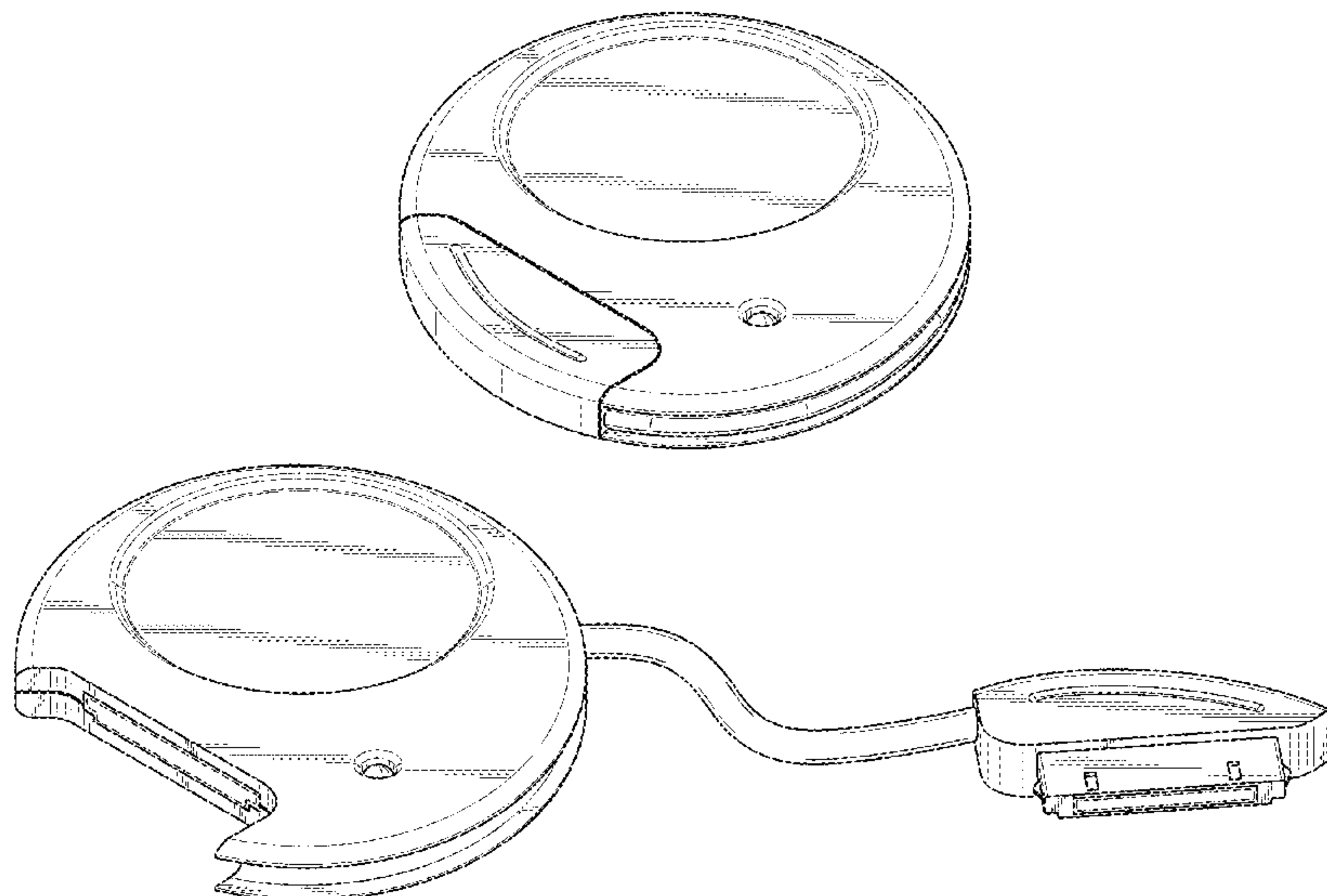
(57) **CLAIM**

The ornamental design for a charger, as shown and described.

**DESCRIPTION**

FIG. 1 is a first embodiment of an upper right side isometric view of a charger showing my new design;  
FIG. 2 is an upper left side isometric view thereof;  
FIG. 3 is a top plan view thereof;  
FIG. 4 is a left elevation view thereof;  
FIG. 5 is a right elevation view thereof;  
FIG. 6 is a rear elevation view thereof;  
FIG. 7 is a front elevation view thereof;  
FIG. 8 is a bottom view thereof;  
FIG. 9 is a second embodiment of an upper right side isometric view of a charger showing my new design;  
FIG. 10 is an upper left side isometric view thereof;  
FIG. 11 is a top plan view thereof;  
FIG. 12 is a bottom view thereof;  
FIG. 13 is a left elevation view thereof;  
FIG. 14 is a right elevation view thereof;  
FIG. 15 is a rear elevation view thereof;  
FIG. 16 is a front elevation view thereof;  
FIG. 17 is a third embodiment of an upper right side isometric view of a charger showing my new design;  
FIG. 18 is an upper left side isometric view thereof;  
FIG. 19 is a top plan view thereof;  
FIG. 20 is a bottom view thereof;  
FIG. 21 is a left elevation view thereof;  
FIG. 22 is a right elevation view thereof;  
FIG. 23 is a rear elevation view thereof; and,  
FIG. 24 is a front elevation view thereof.  
The broken lines are for illustrative purposes only and form no part of the claimed design.

**1 Claim, 15 Drawing Sheets**



(56)

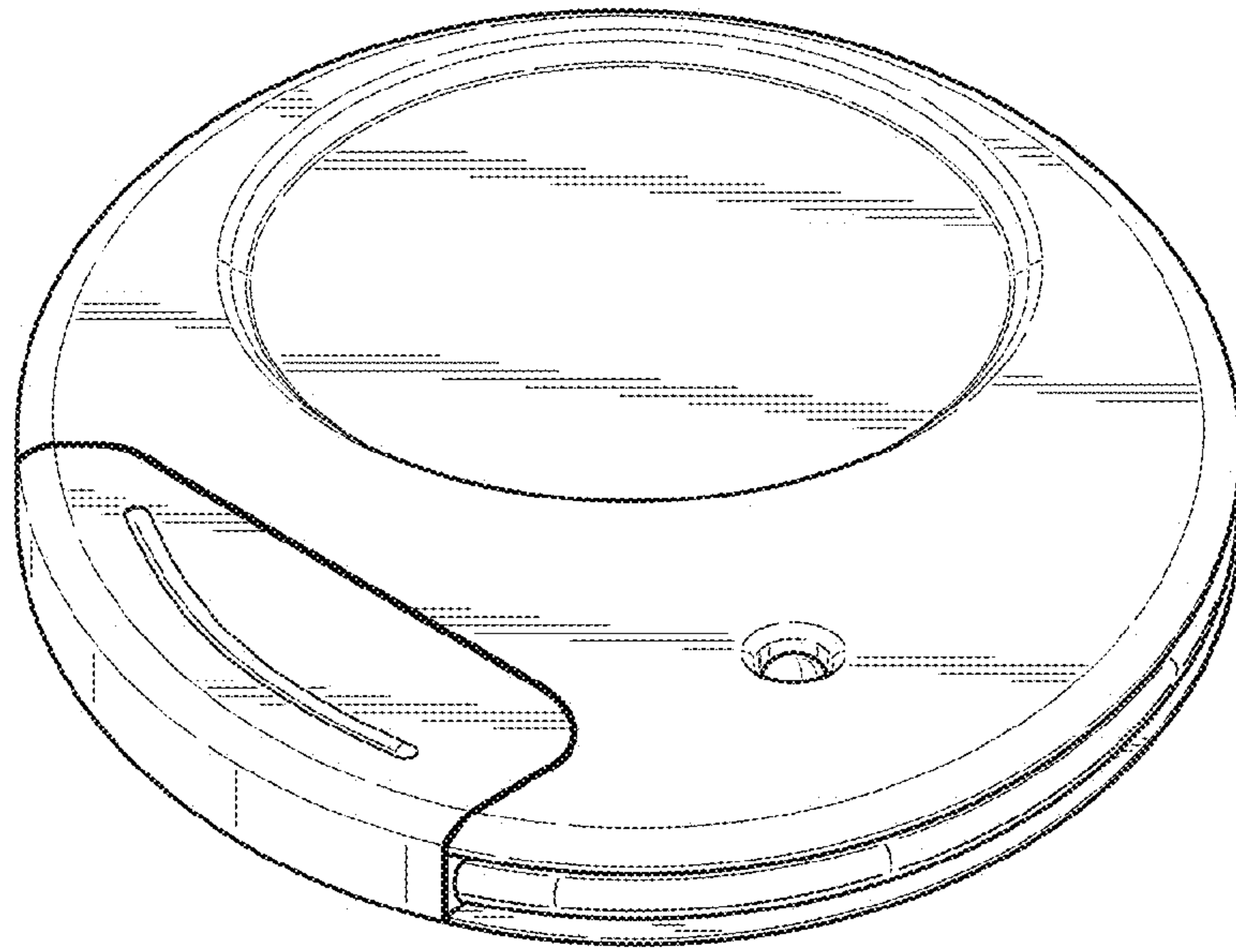
**References Cited**

U.S. PATENT DOCUMENTS

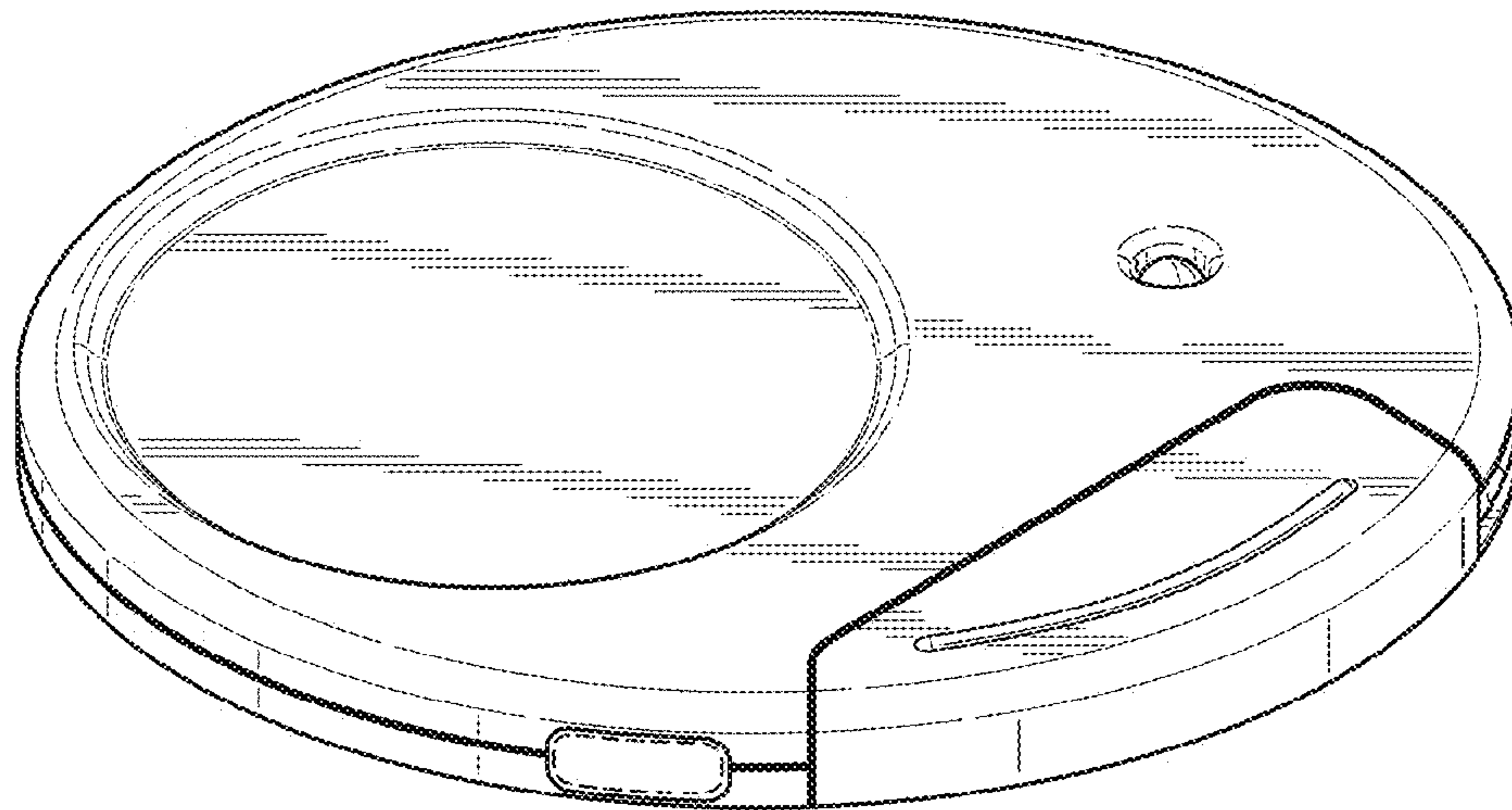
D697,867 S \* 1/2014 Weinstein et al. .... D13/108  
D718,233 S \* 11/2014 Aumiller et al. .... D13/108  
D718,234 S \* 11/2014 Rautiainen ..... D13/108

D722,961 S \* 2/2015 Lin et al. .... D13/108  
D725,034 S \* 3/2015 Chen ..... D13/108  
D727,257 S \* 4/2015 Miller et al. .... D13/108  
2013/0187606 A1\* 7/2013 Ting ..... 320/114  
2014/0042969 A1\* 2/2014 Miller et al. .... 320/111

\* cited by examiner



*FIG. 1*



*FIG. 2*



FIG. 6

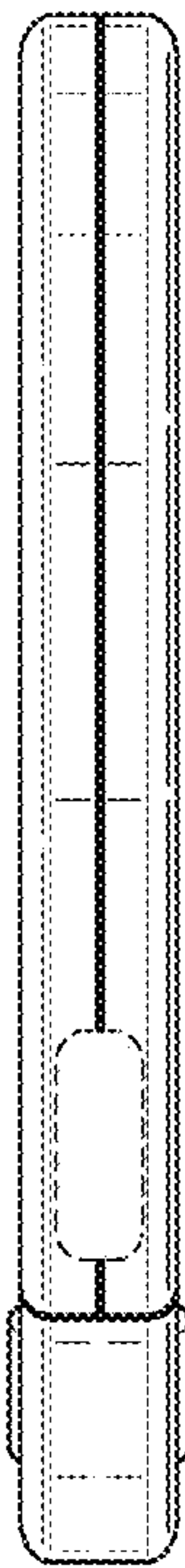


FIG. 4

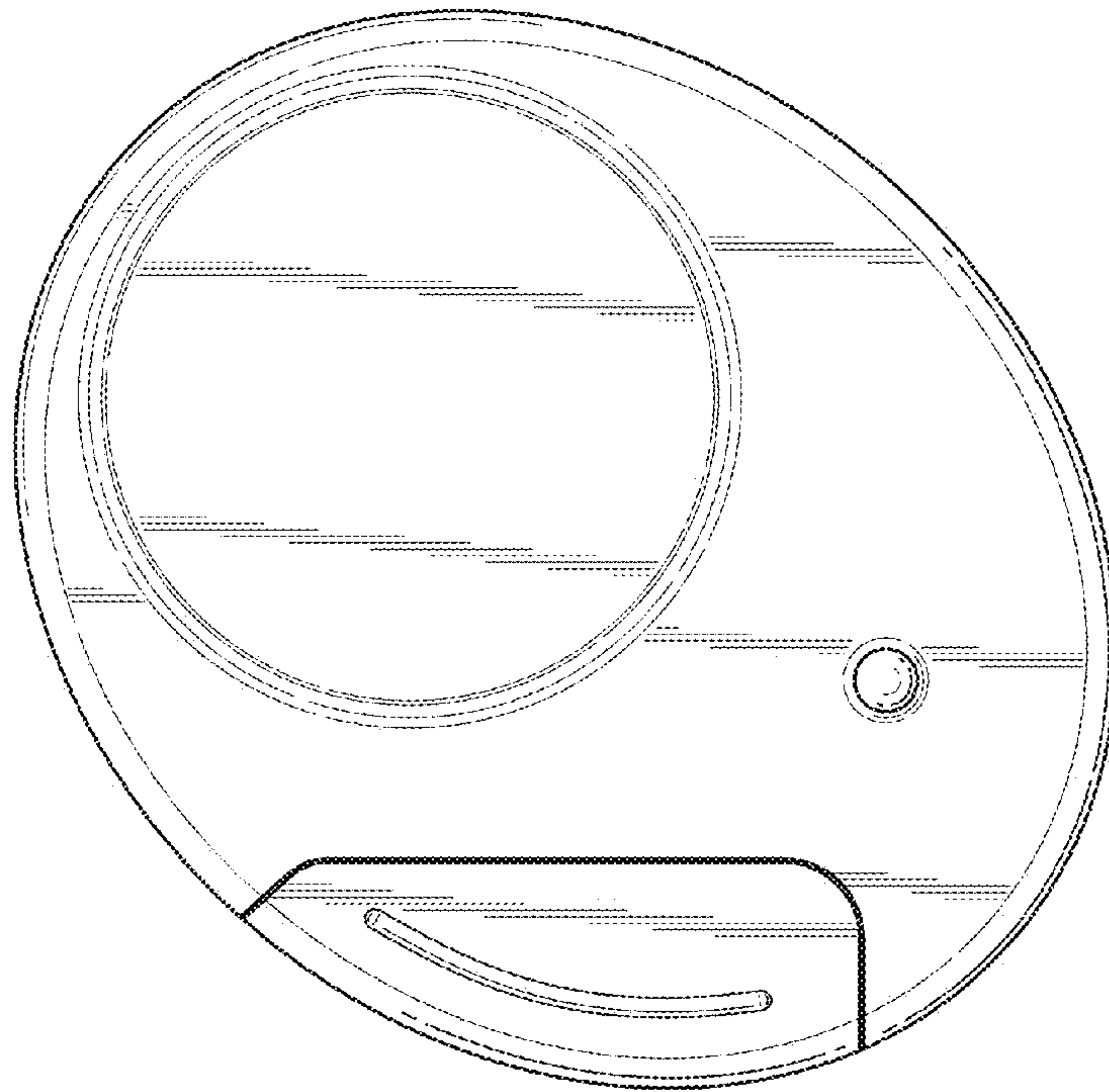


FIG. 3

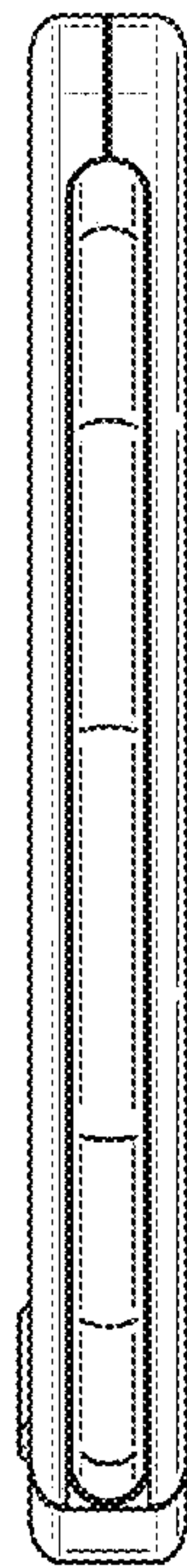
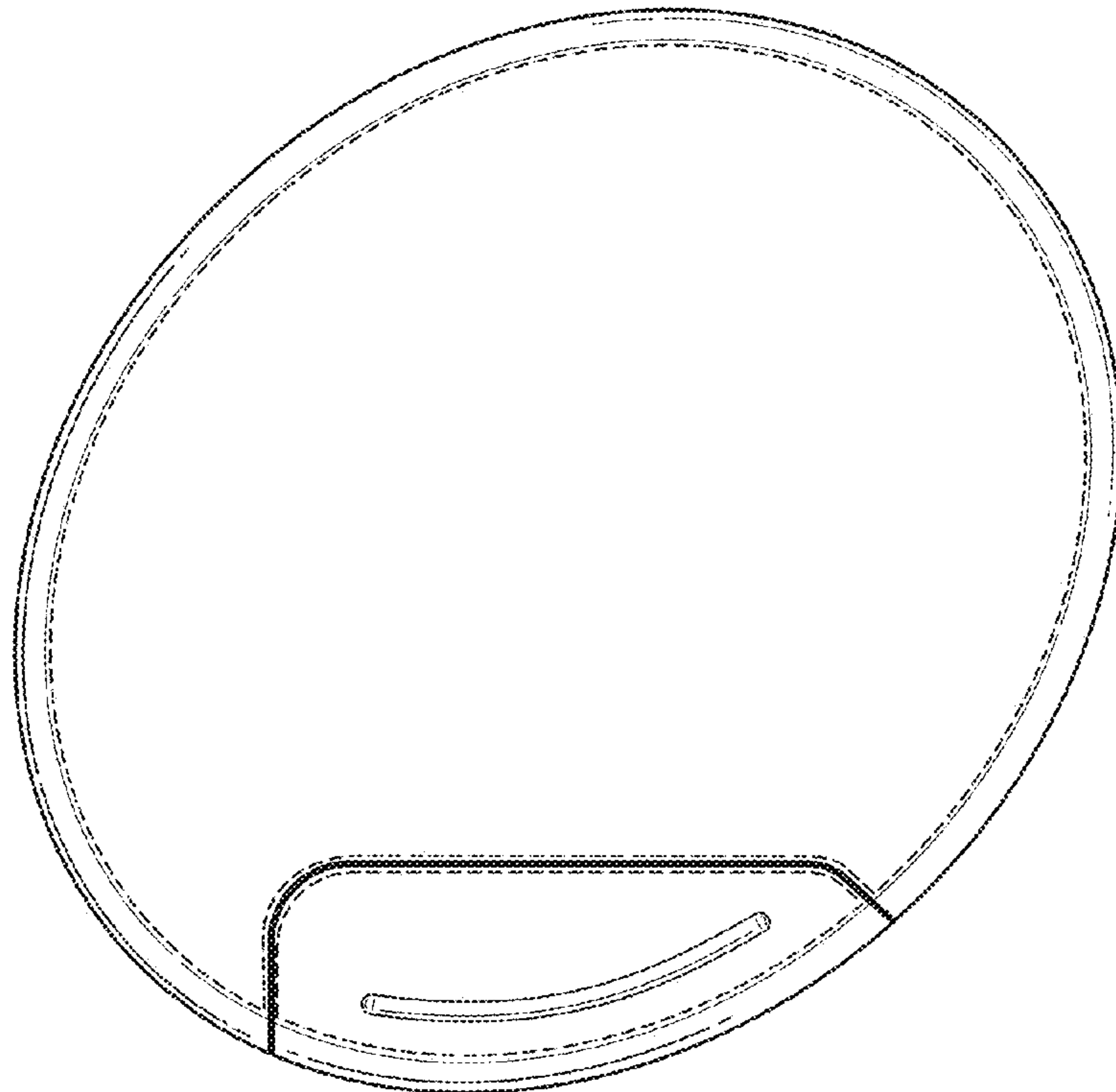


FIG. 5



FIG. 7





*FIG. 8*

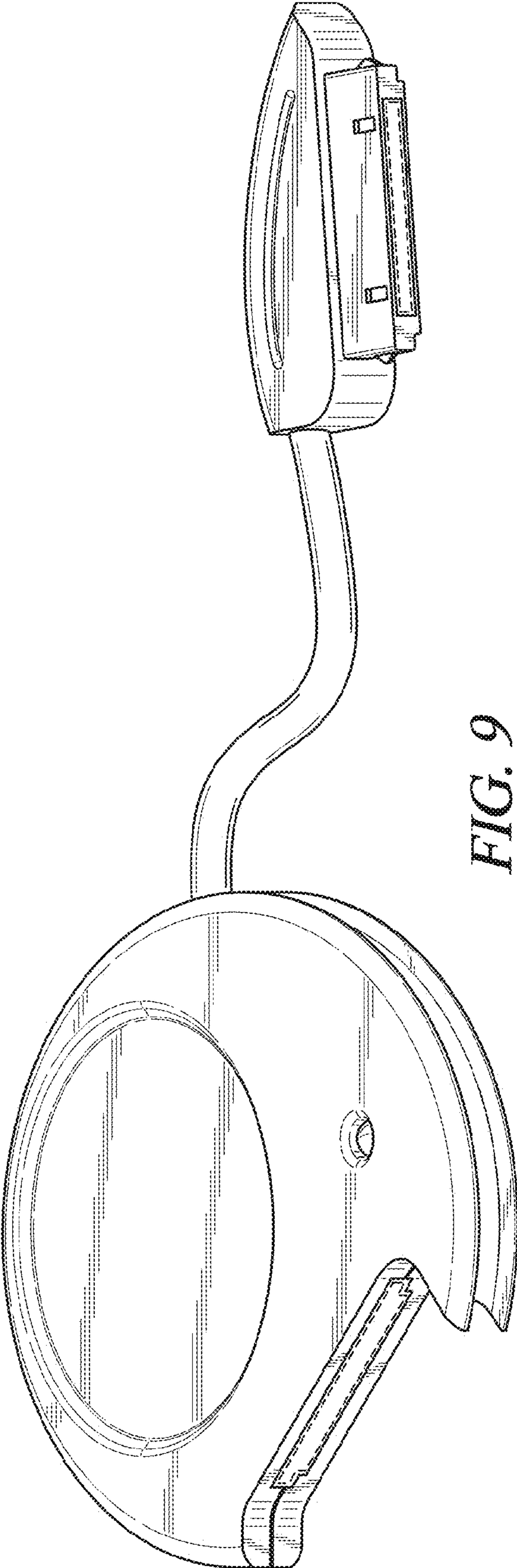
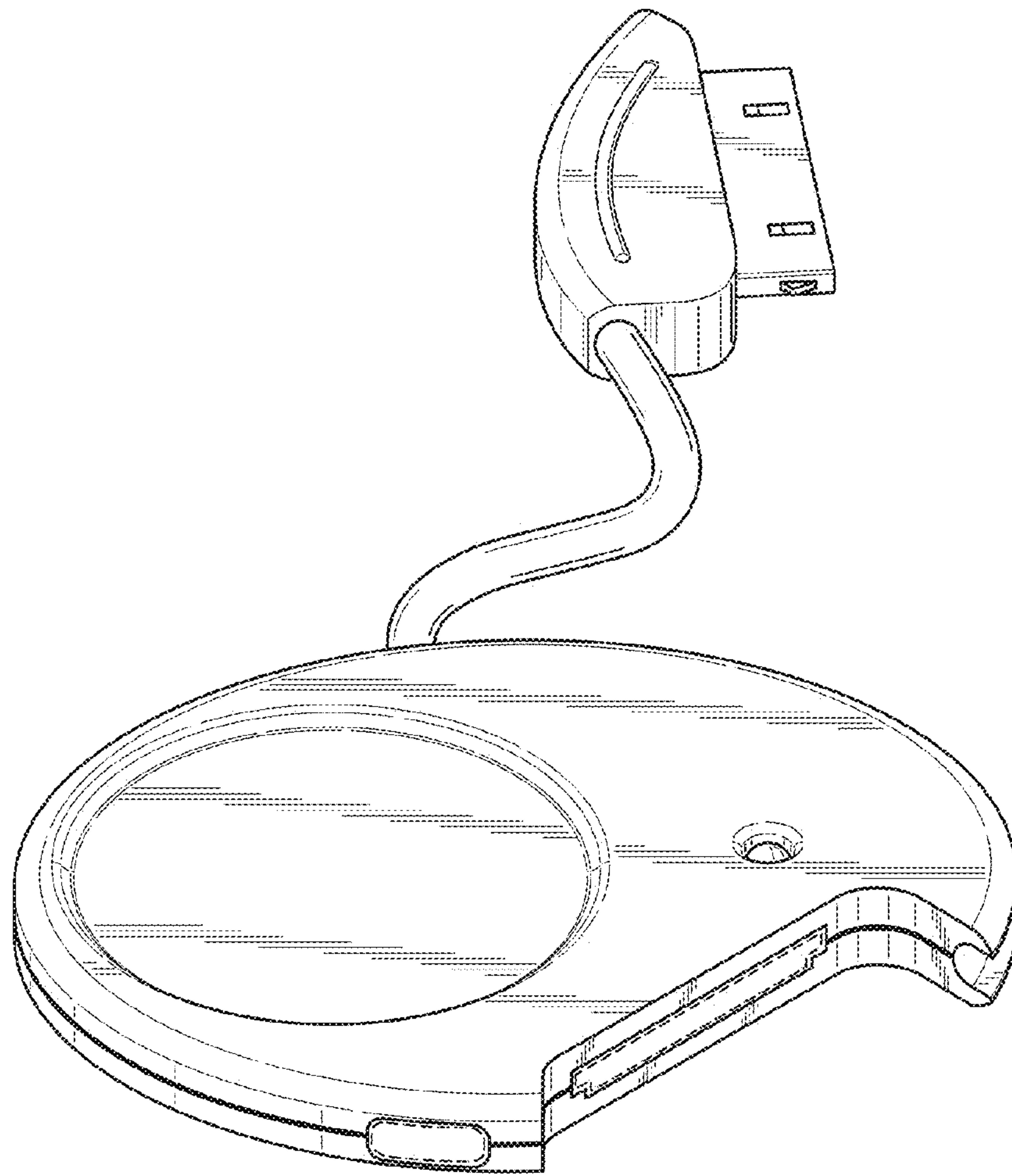


FIG. 9



*FIG. 10*

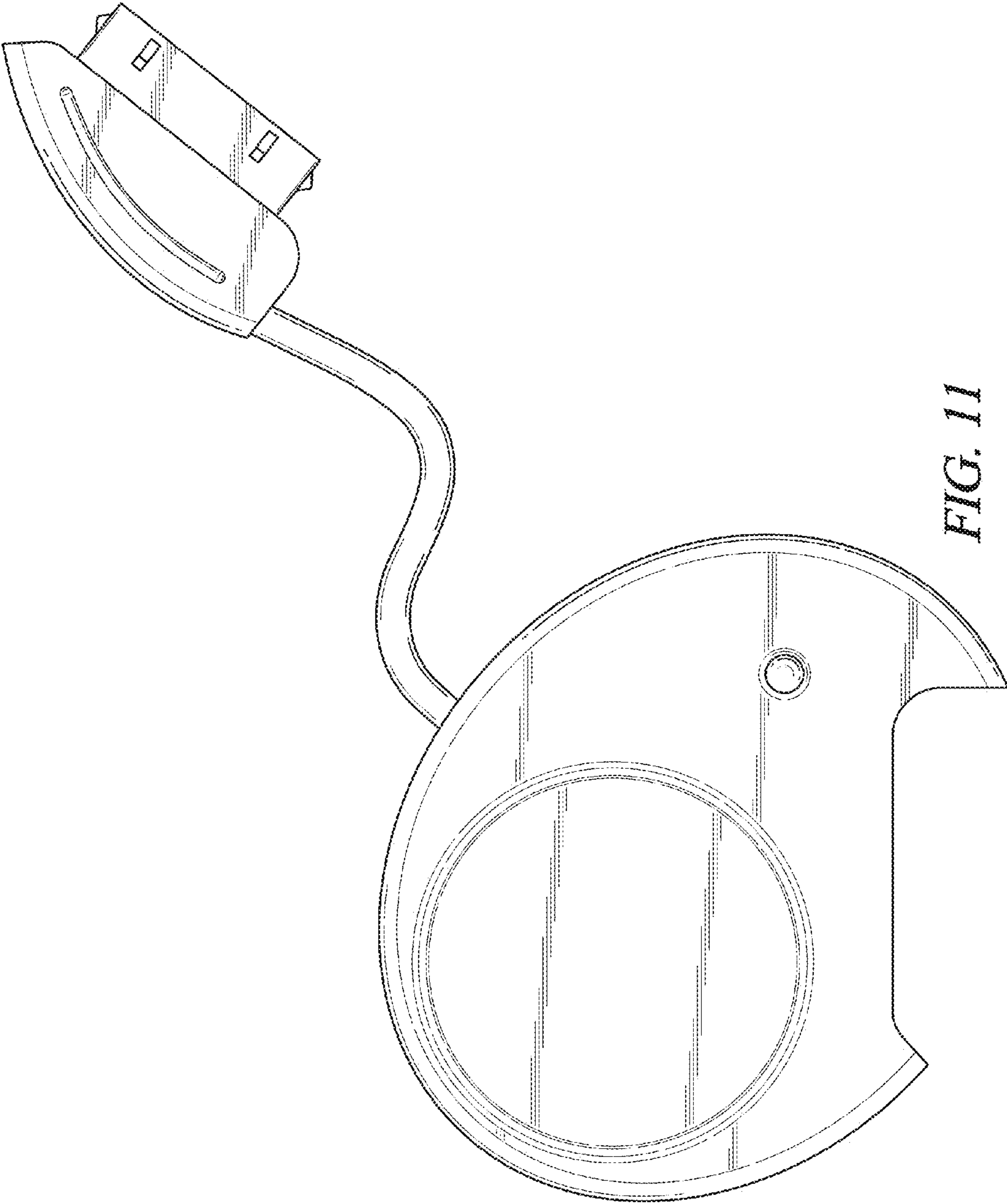


FIG. 11



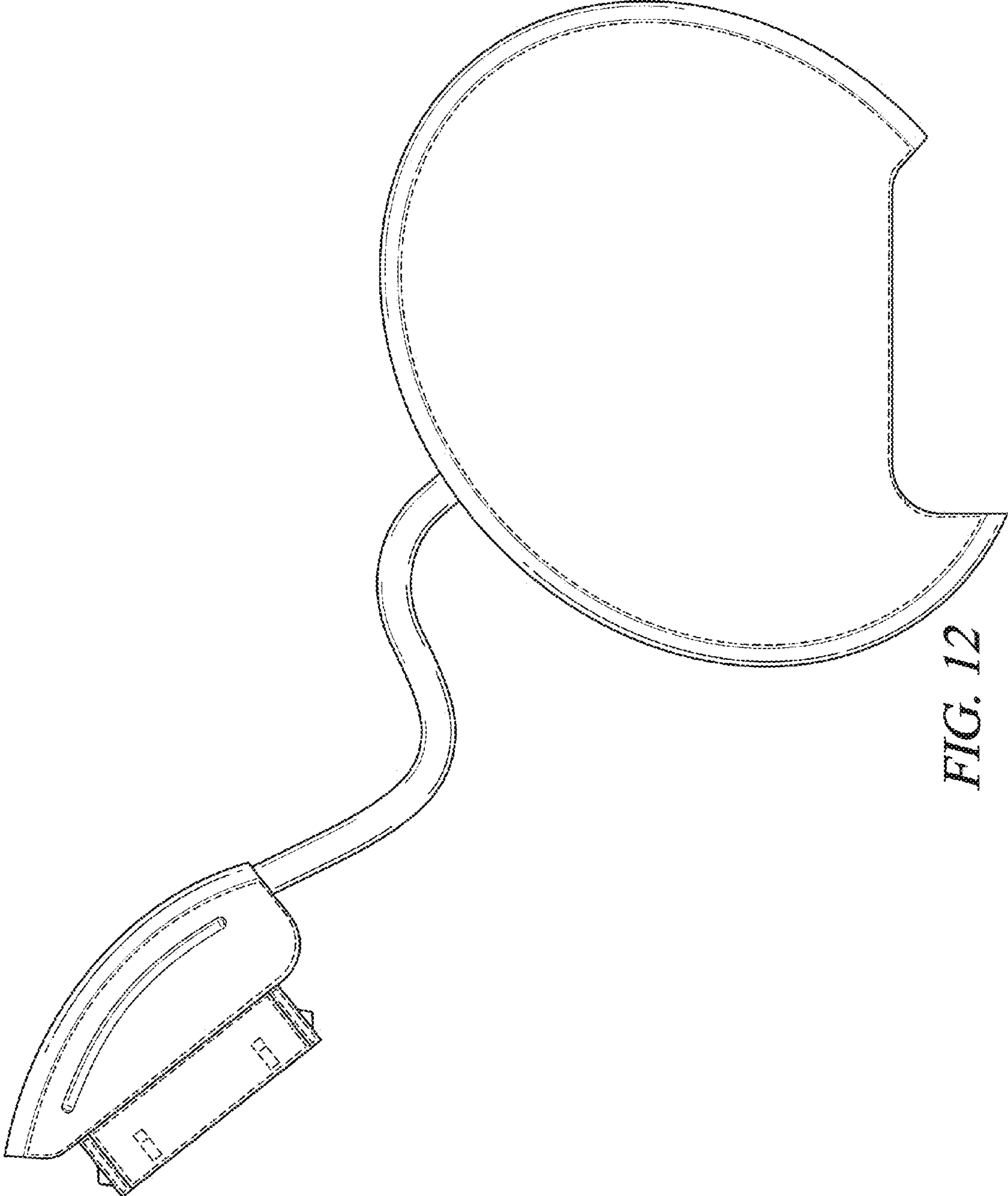
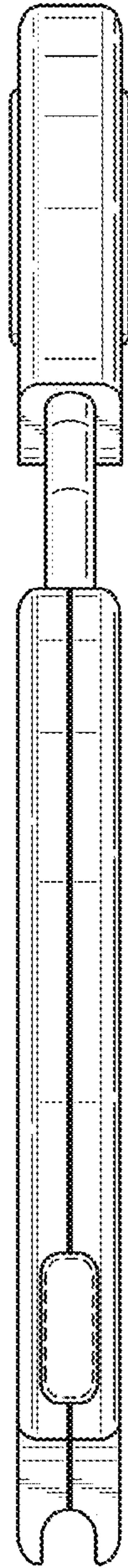
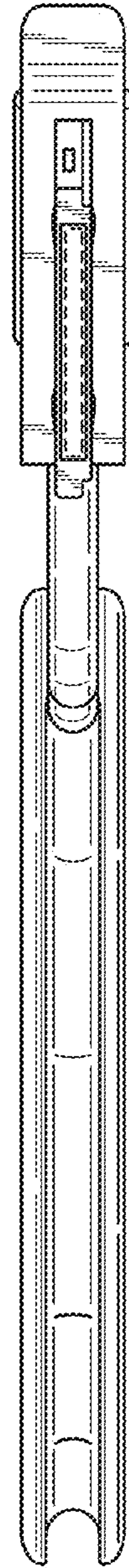


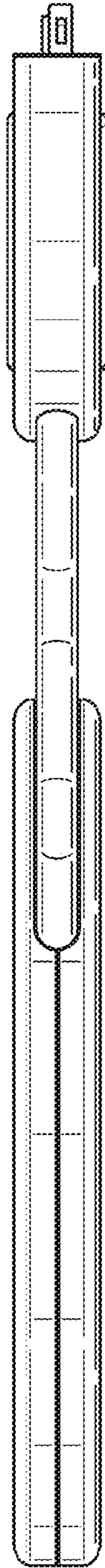
FIG. 12



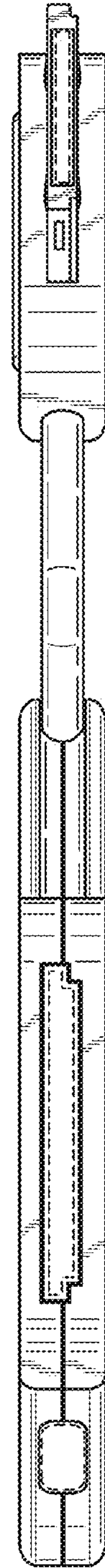
*FIG. 13*



*FIG. 14*



*FIG. 15*



*FIG. 16*

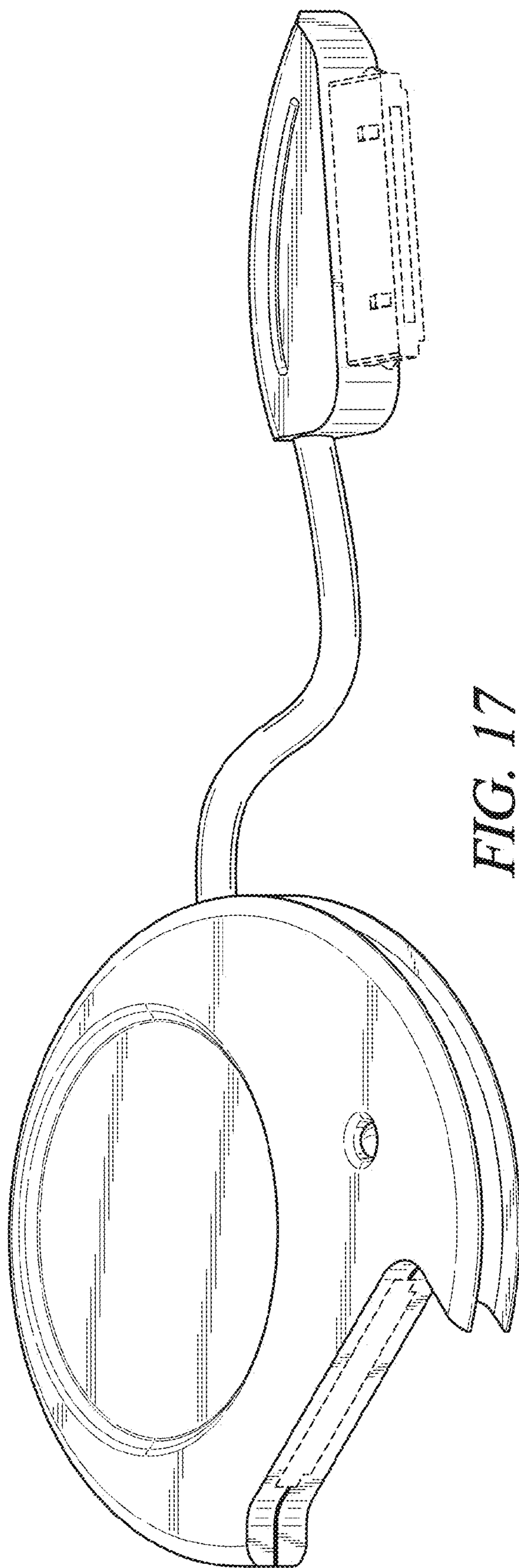
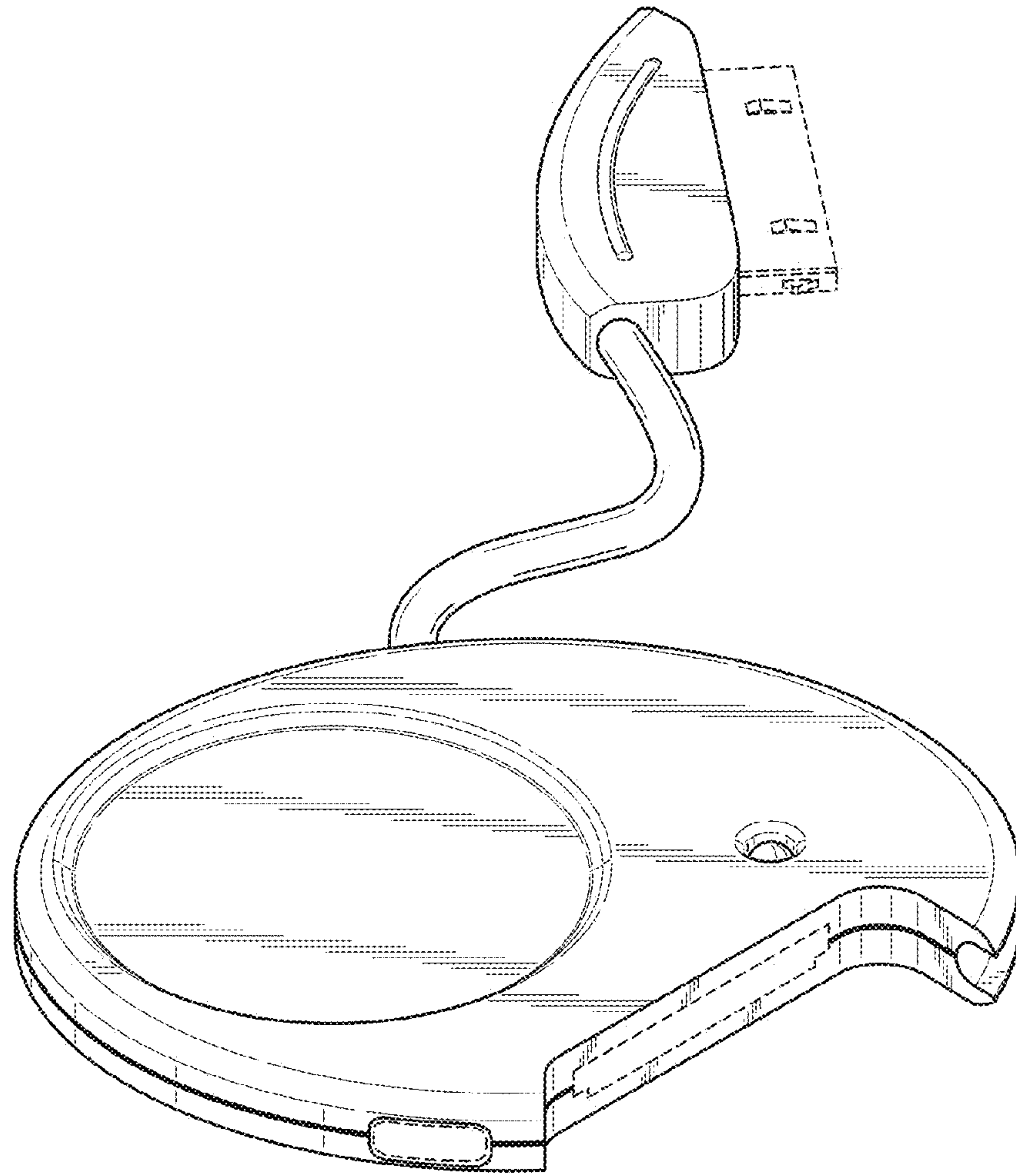


FIG. 17



*FIG. 18*



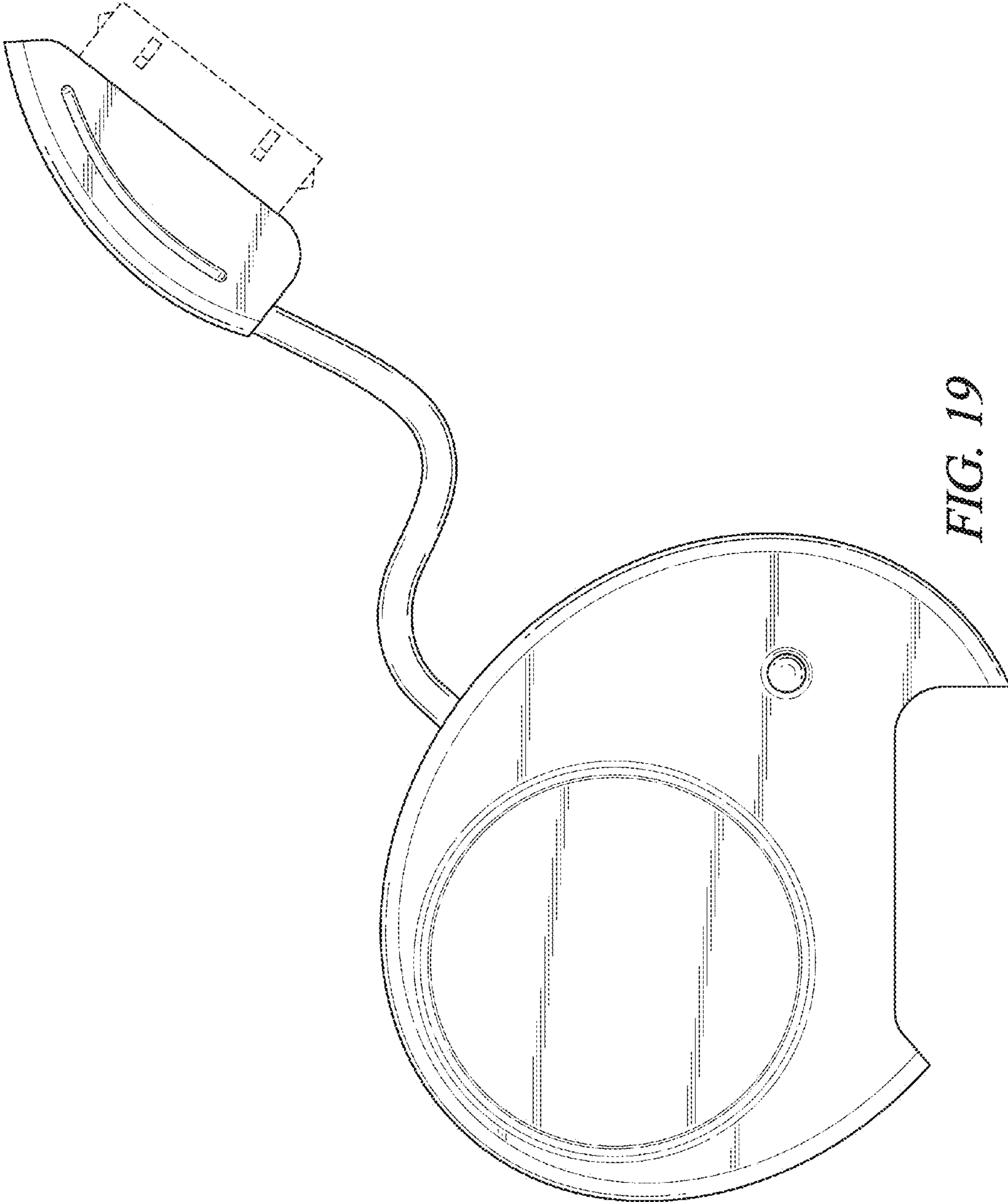


FIG. 19

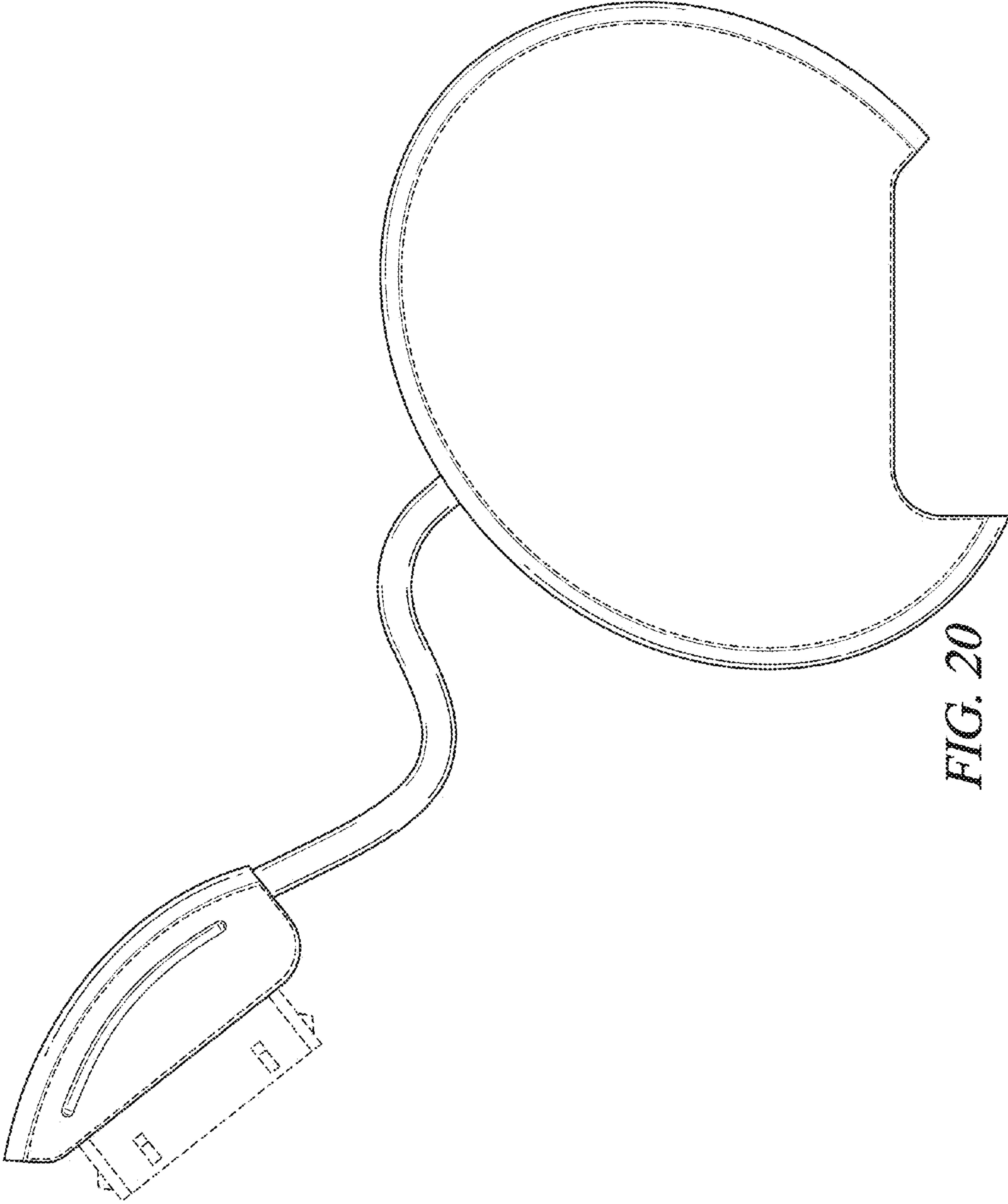
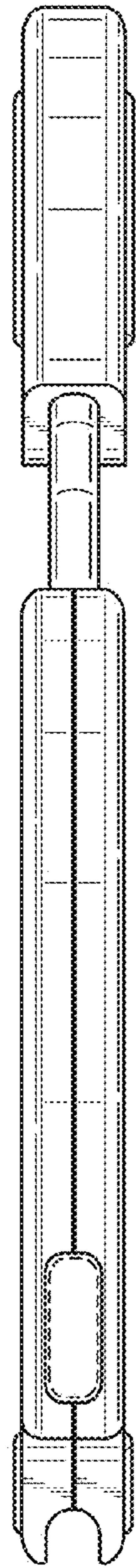
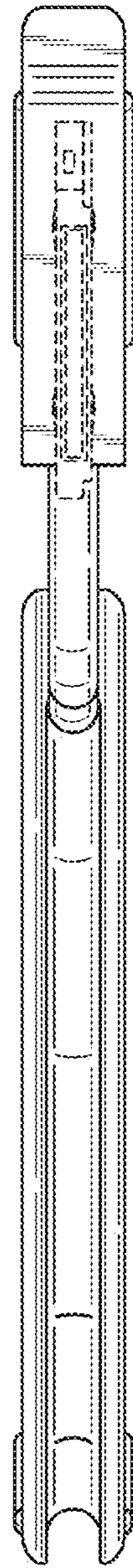


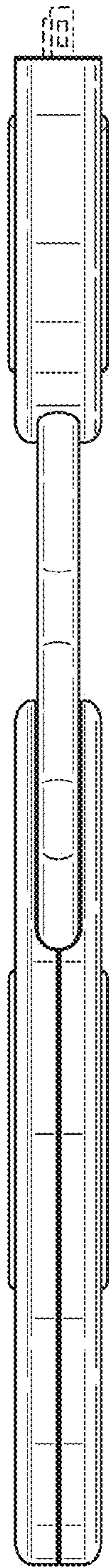
FIG. 20



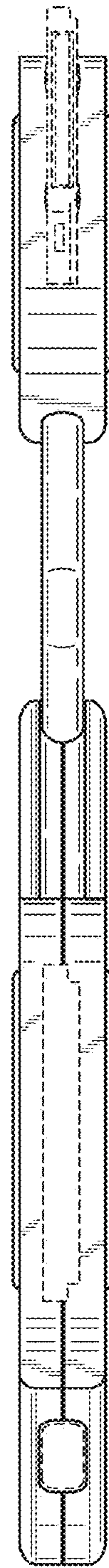
*FIG. 21*



*FIG. 22*



*FIG. 23*



*FIG. 24*