



US00D742822S

(12) **United States Design Patent**
Ju

(10) **Patent No.:** **US D742,822 S**
(45) **Date of Patent:** **** Nov. 10, 2015**

- (54) **POWER BANK**
- (71) Applicant: **GETAC TECHNOLOGY CORPORATION**, Hsinchu County (TW)
- (72) Inventor: **Shuan-Yeong Ju**, Taipei (TW)
- (73) Assignee: **Getac Technology Corporation**, Hsinchu County (TW)
- (**) Term: **14 Years**
- (21) Appl. No.: **29/460,307**
- (22) Filed: **Jul. 9, 2013**
- (51) **LOC (10) Cl.** **13-02**
- (52) **U.S. Cl.**
USPC **D13/108; D13/103**
- (58) **Field of Classification Search**
USPC D13/103, 107-110, 118-119, 182, 199;
D14/251, 253, 432, 434; 320/107-115
CPC Y02E 60/12; Y02T 90/14; Y02T 90/122;
Y02T 90/128; Y02T 90/163; H02J 7/025;
H02J 7/0042; H02J 7/0044; H02J 7/0045;
H02J 7/0003; H01F 38/14; H01R 13/6675;
H01M 2/1022; H01M 2/1055; H01M 10/44;
H01M 10/46; H01M 10/425; B60L 11/182
See application file for complete search history.

D652,379	S	*	1/2012	Vandiver	D13/108
D654,854	S	*	2/2012	Inskeep	D13/107
D667,788	S	*	9/2012	Mai	D13/110
D675,156	S	*	1/2013	Vandiver	D13/108
D678,191	S	*	3/2013	Fitch	D13/108
D682,196	S	*	5/2013	Leung	D13/103
D682,197	S	*	5/2013	Leung	D13/103
8,541,985	B1	*	9/2013	Wong	G06F 1/1632 320/112
D693,297	S	*	11/2013	Inskeep	D13/103
D696,188	S	*	12/2013	Loeck	D13/108
D697,867	S	*	1/2014	Weinstein	D13/108
D704,640	S	*	5/2014	Wen	D13/110
D705,719	S	*	5/2014	Wong	D13/103
D705,724	S	*	5/2014	Yu	D13/108
2013/0193911	A1	*	8/2013	Miller	H02J 7/0042 320/107

* cited by examiner

Primary Examiner — Rosemary K Tarcza

(57) **CLAIM**

The ornamental design for an power bank, as shown and described.

DESCRIPTION

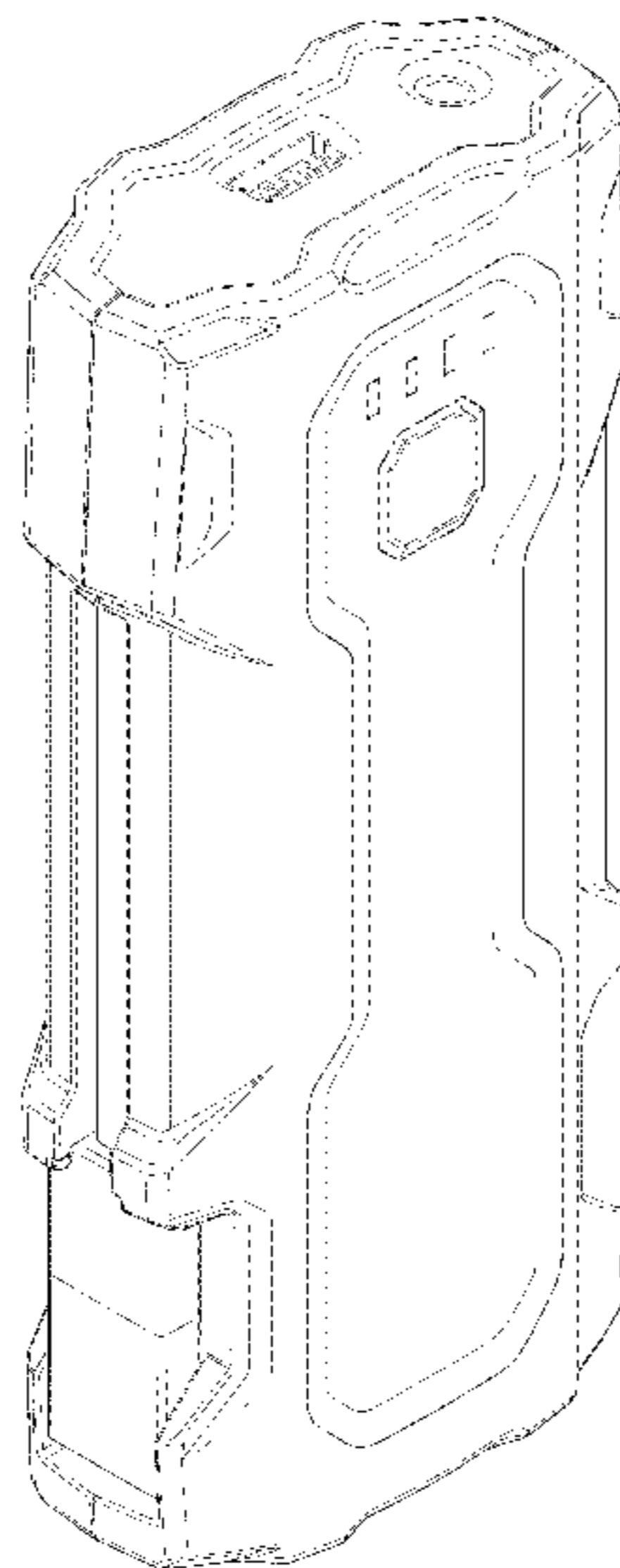
FIG. 1 is a front perspective view of a power bank, showing my new design;
 FIG. 2 is a front view of a power bank, showing my new design;
 FIG. 3 is a rear view of a power bank, showing my new design;
 FIG. 4 is a left side view of a power bank, showing my new design;
 FIG. 5 is a right side view of a power bank, showing my new design;
 FIG. 6 is a top view of a power bank, showing my new design;
 and,
 FIG. 7 is a bottom view of a power bank, showing my new design.

1 Claim, 5 Drawing Sheets

(56) **References Cited**

U.S. PATENT DOCUMENTS

D246,240	S	*	11/1977	Hansen	D13/103
D370,888	S	*	6/1996	Okumura	D13/108
D520,502	S	*	5/2006	Xu	D14/356
D520,997	S	*	5/2006	Lee	D14/356
D585,367	S	*	1/2009	Dunbar	D13/108
D628,535	S	*	12/2010	Cheng	D13/108
D629,746	S	*	12/2010	Workman	D13/103
D651,564	S	*	1/2012	Workman	D13/108



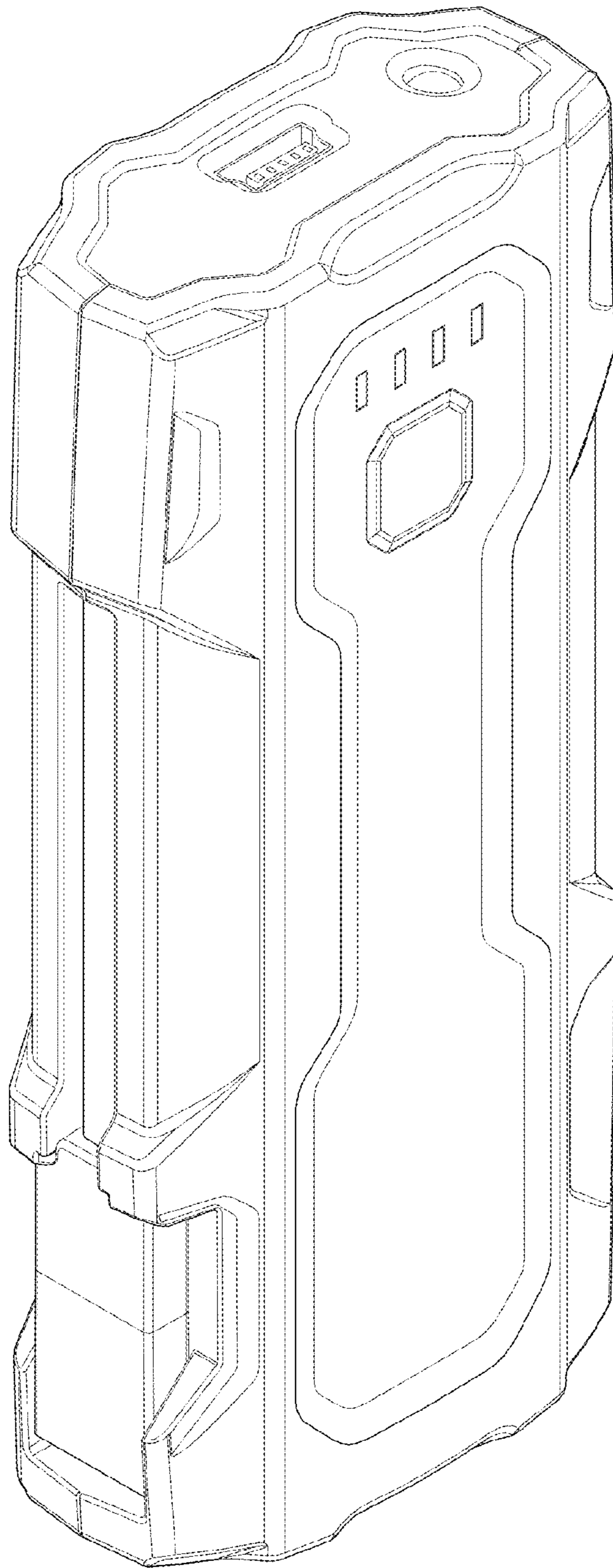


FIG. 1

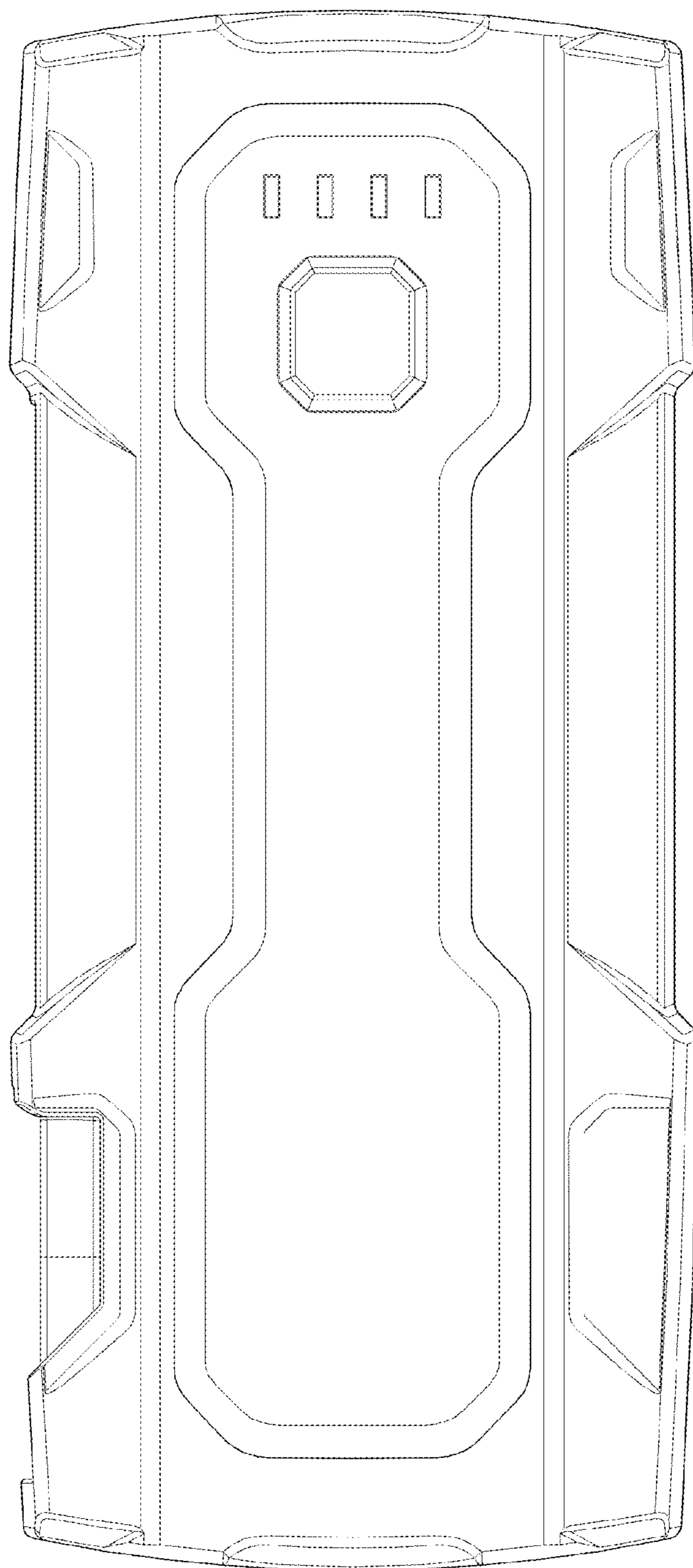


FIG. 2

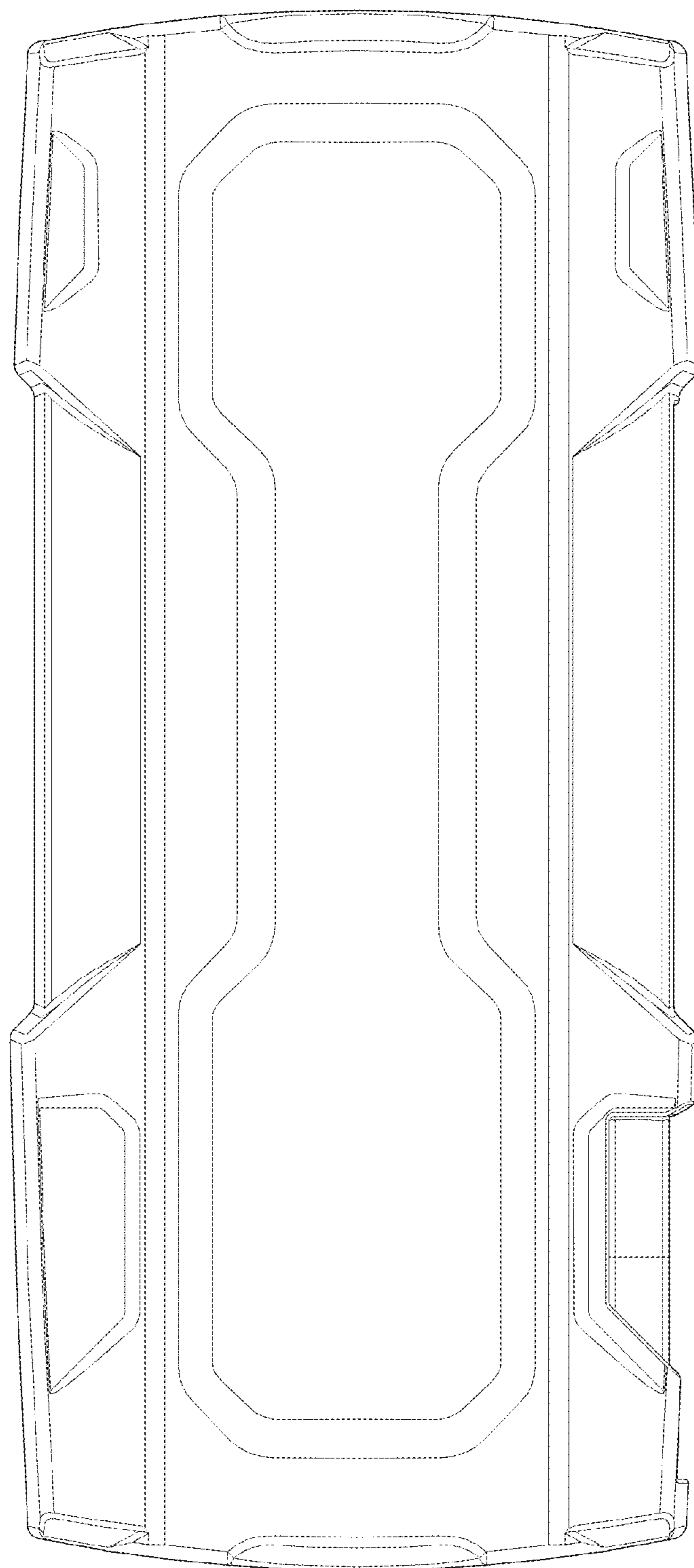


FIG. 3

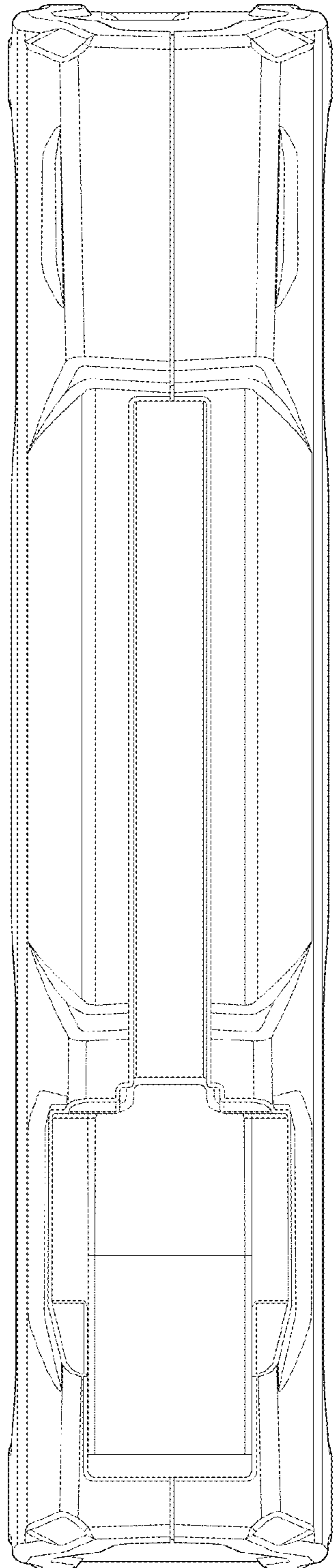


FIG. 4

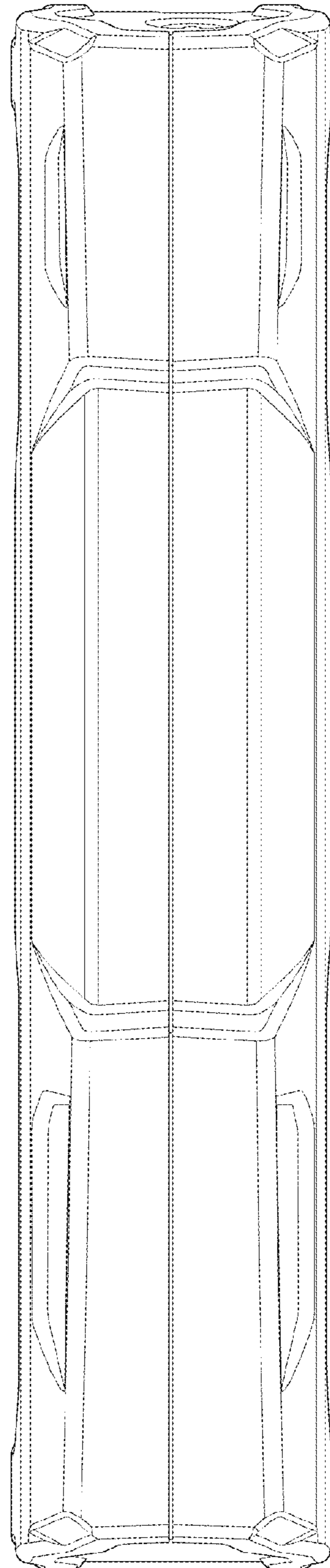


FIG. 5

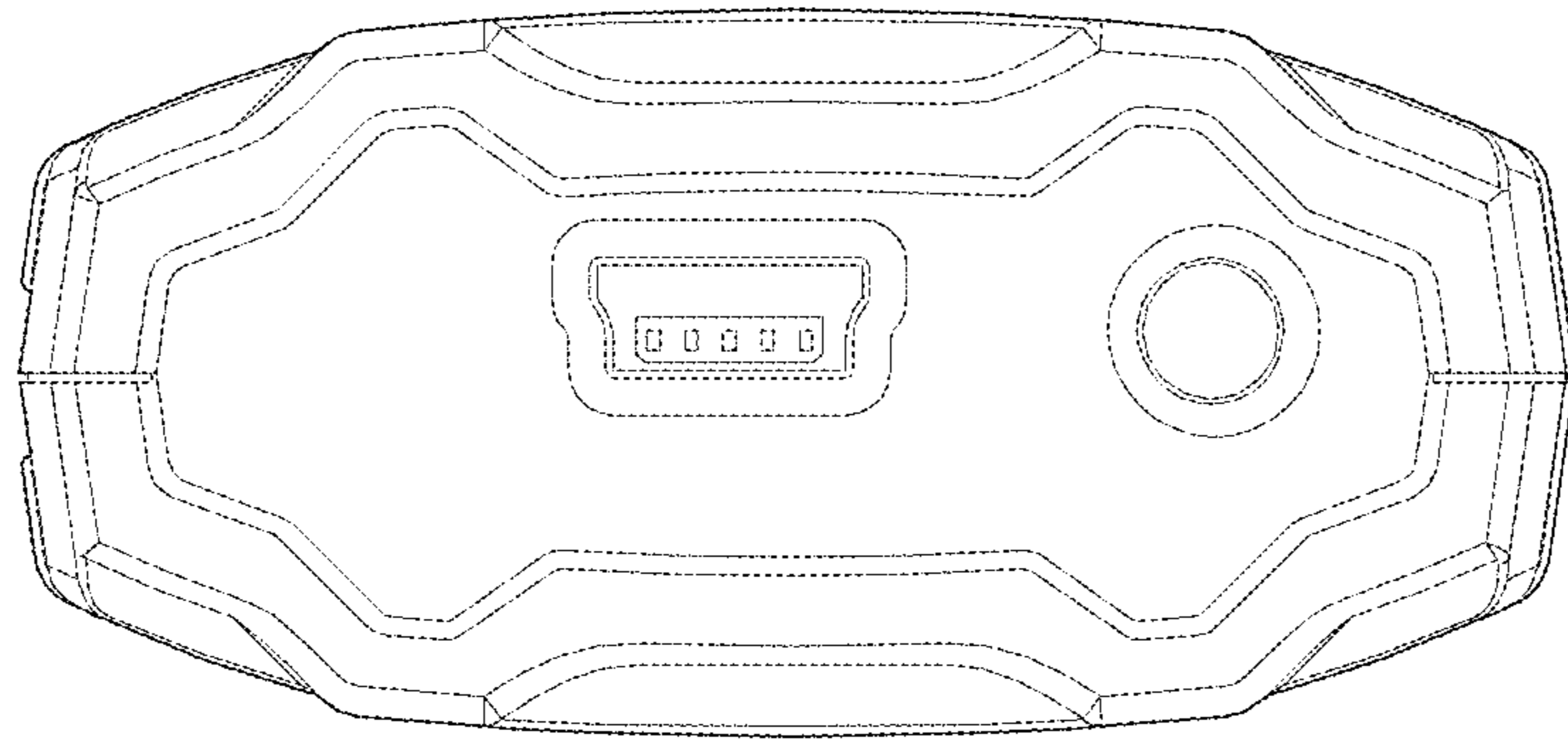


FIG. 6

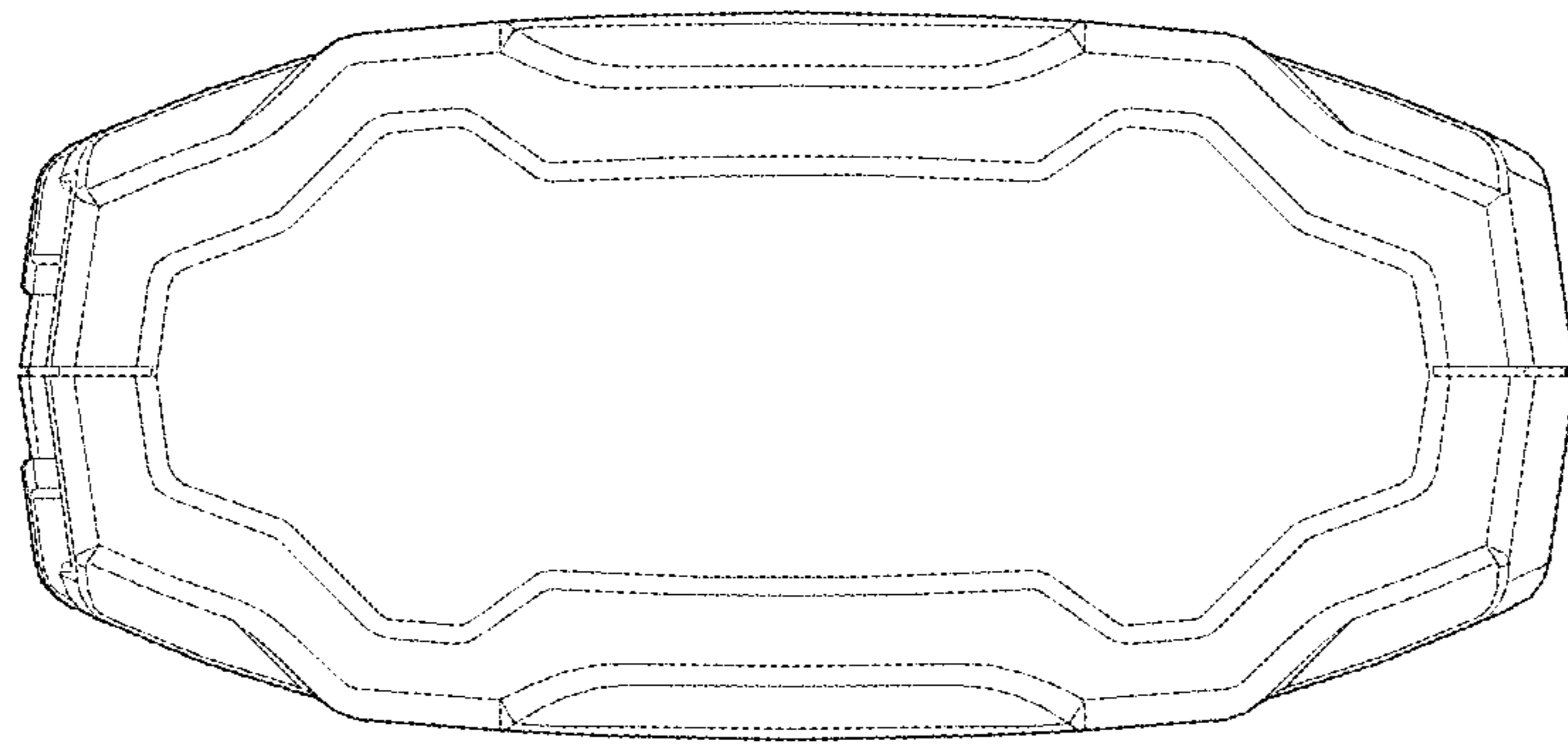


FIG. 7